



INSTALLATION INSTRUCTIONS

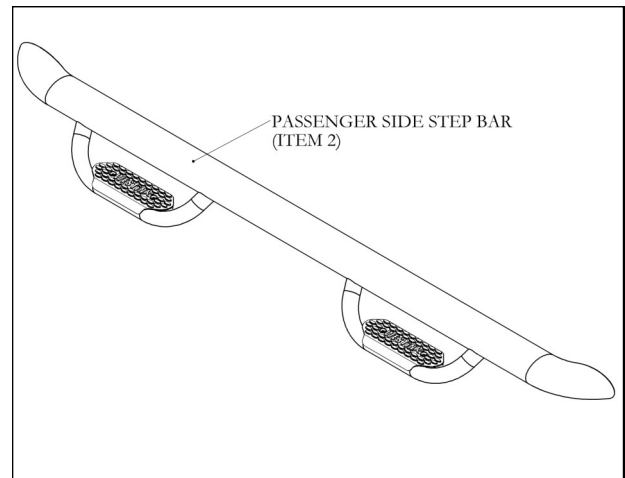
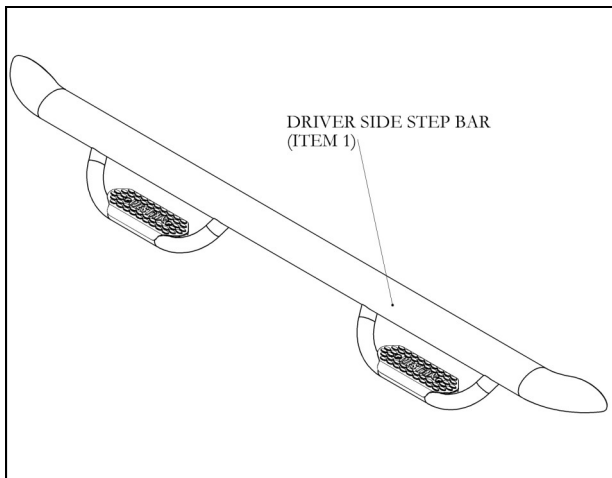
GEN X STEP BARS

APPLICATION: 2014-2015 Chevrolet Silverado & GMC Sierra 1500 Double Cab
 2014-2015 Chevrolet Silverado & GMC Sierra 1500 Crew Cab
 2015+ Chevrolet Silverado & GMC Sierra 2500/3500 Double Cab
 2015+ Chevrolet Silverado & GMC Sierra 2500/3500 Crew Cab

PART NUMBER: 20-3715, 20-3725, 20-3965, 20-3975

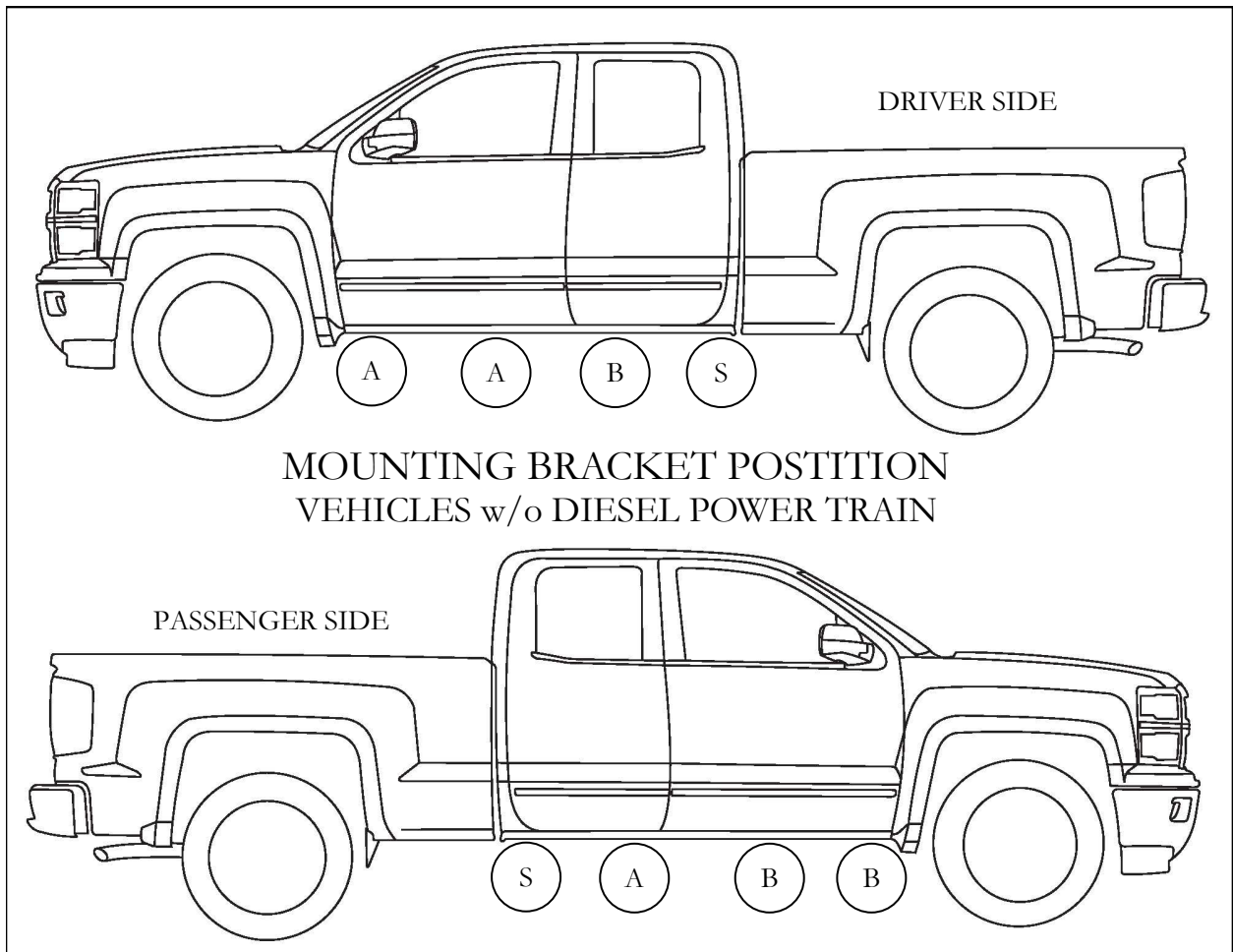
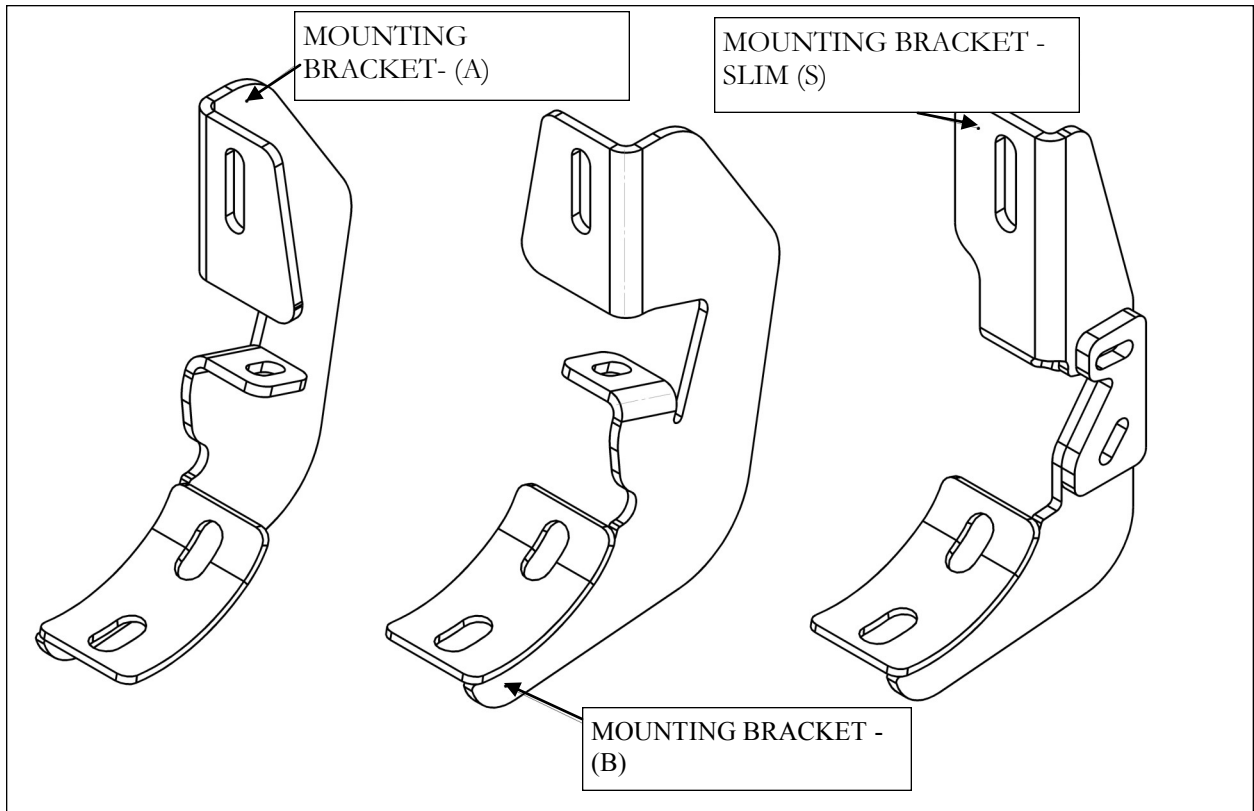
ITEM	QUANTITY	DESCRIPTION	TOOLS NEEDED
1	1	DRIVER SIDE STEP BAR	HEX KEY TOOL (PROVIDED IN KIT)
2	1	PASSENGER SIDE STEP BAR	
3	3	MOUNTING BRACKET - A	13MM SOCKET
4	3	MOUNTING BRACKET - B	12MM SOCKET
5	2	MOUNTING BRACKET - SLIM	RATCHET
6	8	M8 HEX HEAD CAP SCREW	TORQUE WRENCH
7	8	M8 FLAT WASHER	PLIERS
8	8	M8 SPLIT LOCK WASHER	SOCKET EXTENSION
9	16	M10 BUTTON HEAD CAP SCREW (STAINLESS STEEL)	
10	16	M10 INTERNAL TOOTHED LOCK WASHER (STAINLESS STEEL)	
11	16	M10 FLAT WASHER (STAINLESS STEEL)	
12	6	M8 NUT CLIP	
13	8	M8 FLANGED HEX CAP SCREW	
14	8	M8 EXTERNAL TOOTHED LOCK WASHER	
15	2	M8 SERRATED FLANGE HEX NUT	

ANTI-SEIZE LUBRICANT MUST BE USED ON ALL STAINLESS STEEL FASTENERS TO PREVENT THREAD DAMAGE AND GALLING .



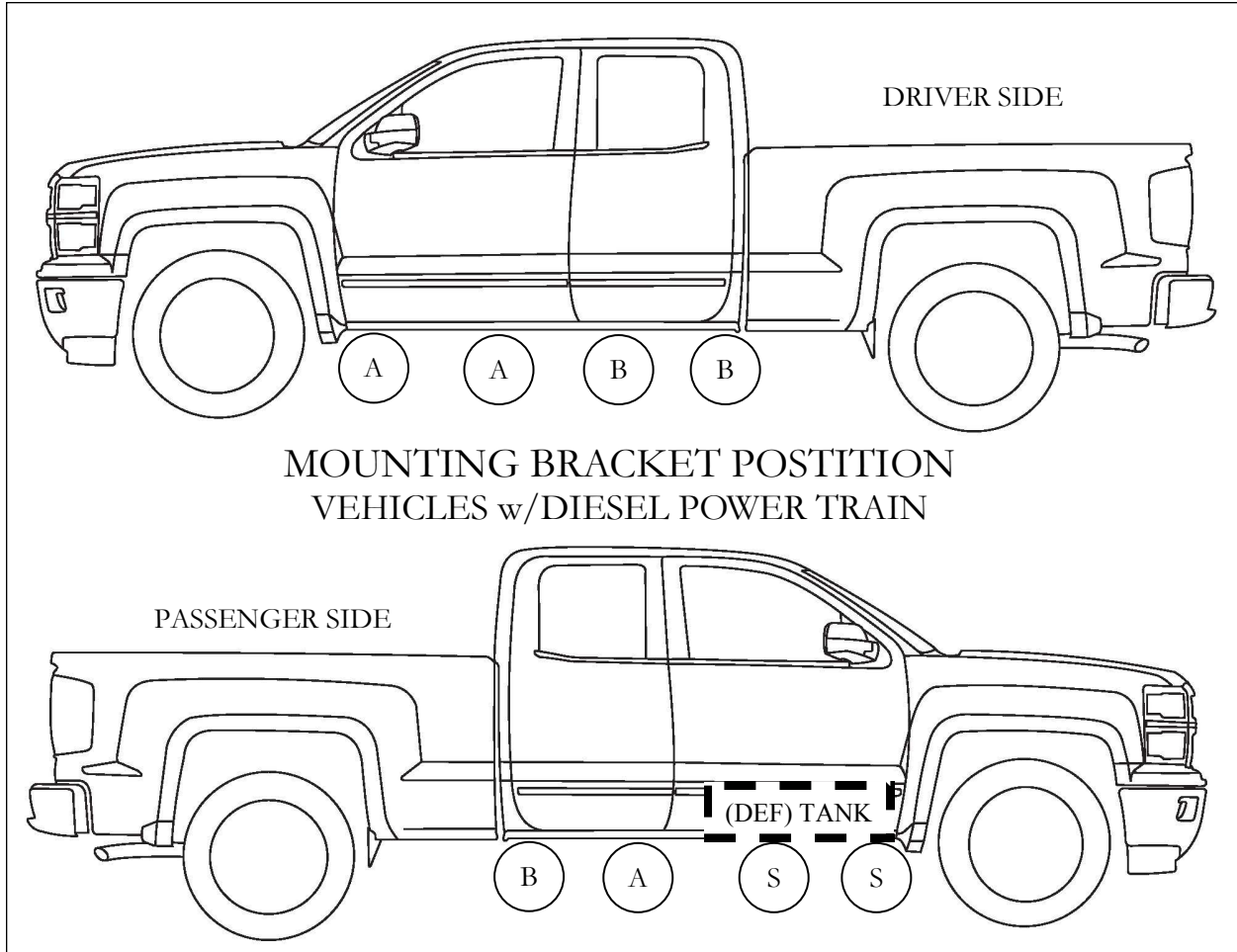
Westin Automotive Products, Inc.
 320 Covina Blvd
 San Dimas, Ca. 91773

Thank You for choosing Westin products
 For Additional installation assistance please call
 Customer service (800) 793-7846



Westin Automotive Products, Inc.
320 Covina Blvd
San Dimas, Ca. 91773

Thank You for choosing Westin products
For Additional installation assistance please call
Customer service (800) 793-7846



NOTE: For installation on diesel equipped vehicles. Follow the instructions on the following page for the diesel exhaust fluid (DEF) tank removal. This is located adjacent to the passenger side front rocker panel. This is necessary for the installation of the front two mounting brackets for the passenger side.

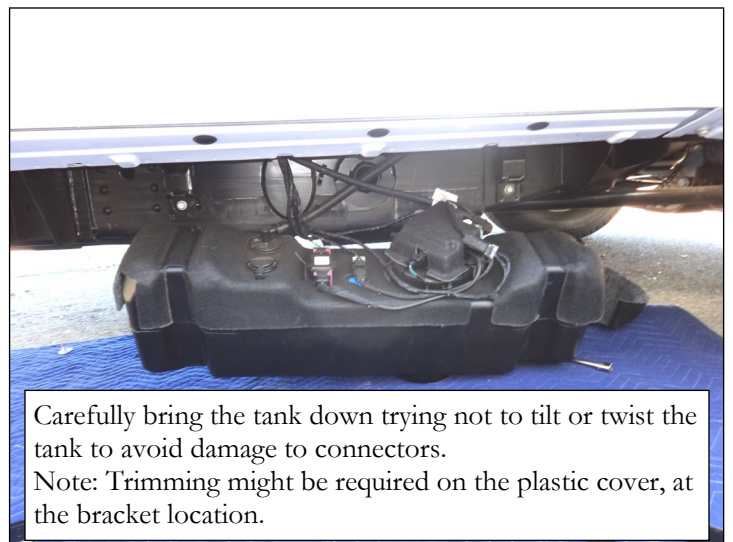
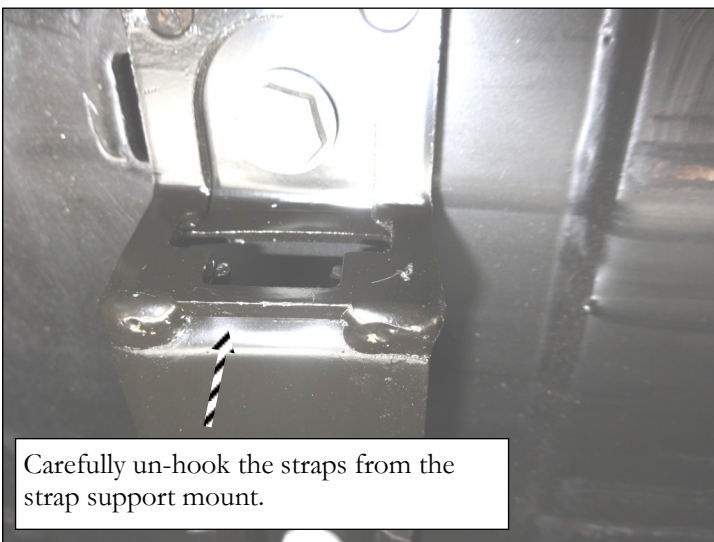
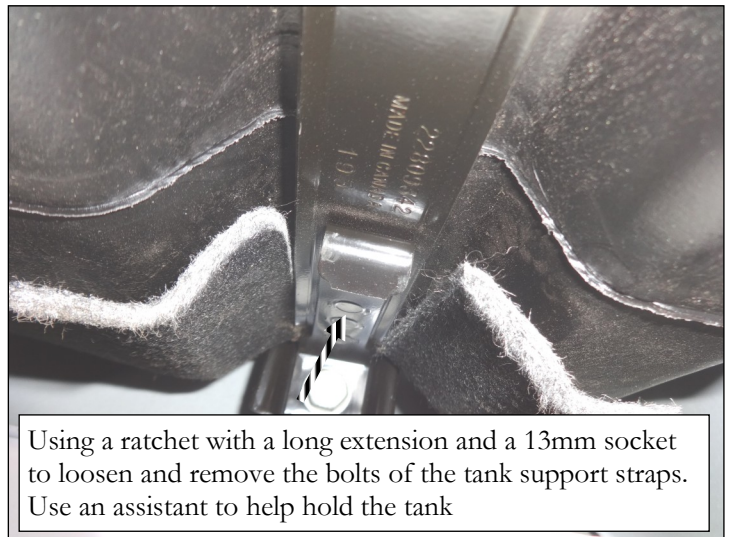
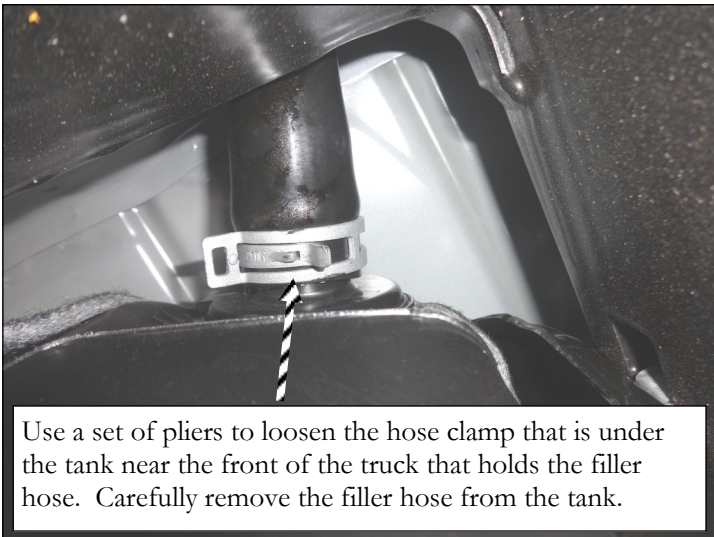
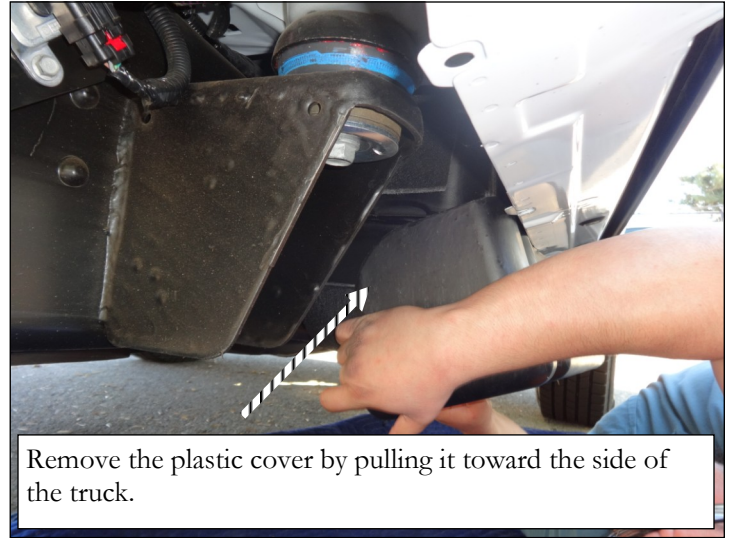
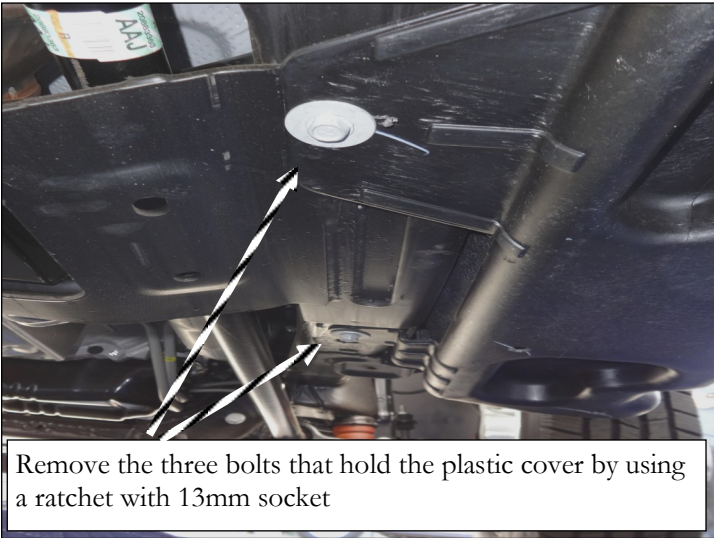


Westin Automotive Products, Inc.
320 Covina Blvd
San Dimas, Ca. 91773

Thank You for choosing Westin products
For Additional installation assistance please call
Customer service (800) 793-7846
www.westinautomotive.com

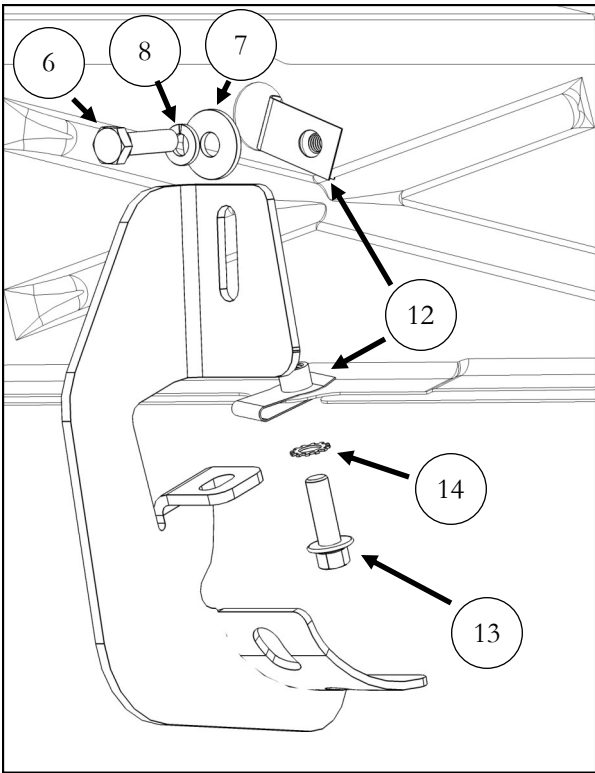
DIESEL EXHAUST FLUID TANK REMOVAL INSTRUCTIONS

w/Diesel Power Train Only

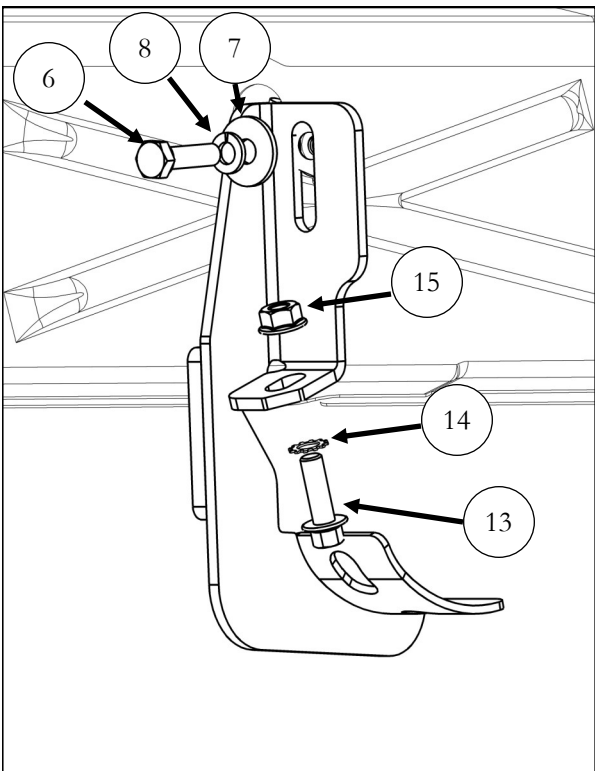
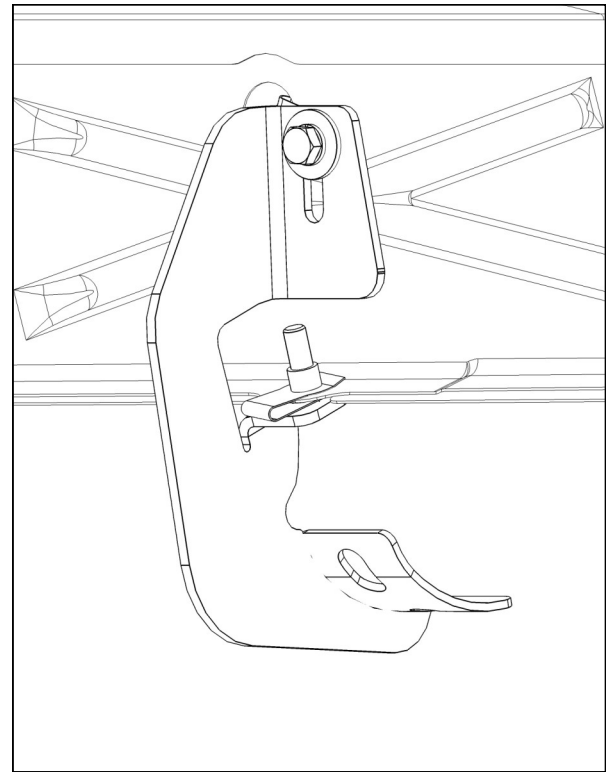


Westin Automotive Products, Inc.
320 Covina Blvd
San Dimas, Ca. 91773

Thank You for choosing Westin products
For Additional installation assistance please call
Customer service (800) 793-7846
www.westinautomotive.com



1. At mounting locations without threaded holes in the rocker panel. Remove the rubber plug from the large diameter hole.
2. Insert one M8 clip nut through the large hole and position the threads so they are exposed through the smaller diameter hole. Also insert an M8 clip nut at the pinch weld hole as shown on the photo to the Left.
3. Attach mounting bracket A/B to the vertical rocker panel surface using one M8 flat washer, one M8 split lock washer, and one M8 hex cap screw. Some mounting locations may not require the use of the supplied M8 clip nuts. The M8 cap screws would still be used for these threaded holes.
4. The bracket is secured to the pinch weld using one M8 external toothed lock washer, and one M8 flanged hex cap screw. Do not Fully tighten at this time.

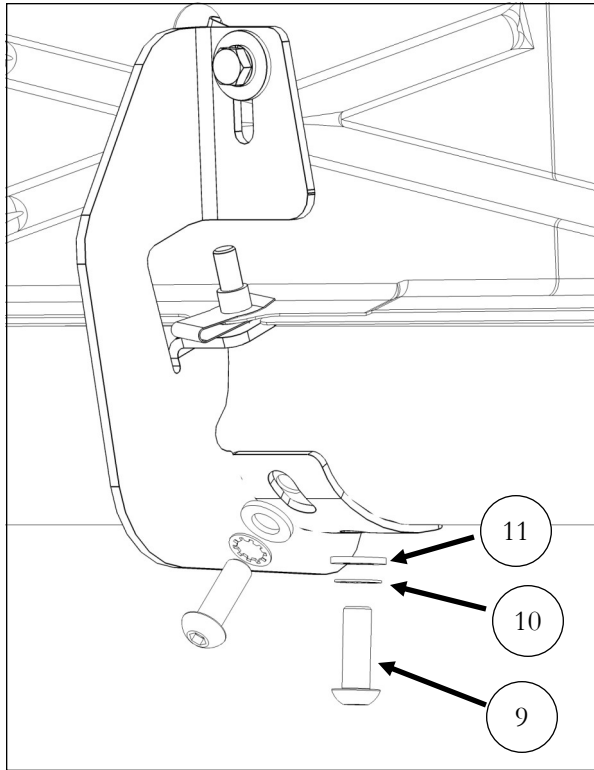


5. The slim mounting bracket is attached to the vertical rocker panel surface using one M8 flat washer, one M8 split lock washer, and one M8 hex cap screw.
6. The bracket is secured to the pinch weld using one M8 flanged hex cap screw, one M8 external toothed lock washer, and one M8 serrated flange hex nut. An M8 clip nut is not used for the lower portion of this mounting bracket. Do not fully tighten at this time.



Westin Automotive Products, Inc.
 320 Covina Blvd
 San Dimas, Ca. 91773

Thank You for choosing Westin products
 For Additional installation assistance please call
 Customer service (800) 793-7846



7. Attach each step bar assembly to their correct positions on the installed mounting brackets using two M10 flat washers, two internal toothed lock washers, and two M10 button head hex socket cap screws per mounting bracket location.
8. At this time align all mounting brackets and step bar assemblies as desired. Tighten all M8 fasteners to 18 ft-lbs, and all M10 fasteners to 25 ft-lbs.
9. If (DEF) tank was removed during installation. Re-install DEF tank at this time.



INSTALLATION COMPLETE

CARE INSTRUCTIONS

- REGULAR WAXING IS RECOMMENDED. DO NOT USE ANY TYPE OF POLISH OR WAX THAT MAY CONTAIN ABRASIVES
- STAINLESS STEEL PRODUCTS CAN BE CLEANED WITH MILD SOAP AND WATER. STAINLESS STEEL POLISH SHOULD BE USED TO POLISH SMALL SCRATCHES.
- GLOSS BLACK FINISHES SHOULD BE CLEANED WITH MILD SOAP AND WATER

"PATENTED - U.S. Patent# 6588783 & 6874801"



Westin Automotive Products, Inc.
320 Covina Blvd
San Dimas, Ca. 91773

Thank You for choosing Westin products
For Additional installation assistance please call
Customer service (800) 793-7846

www.westinautomotive.com