

### Parts List

1	Driver / left, side bar
1	Passenger / right, side bar
1	Mounting bracket, driver / left, front
1	Mounting bracket, passenger / right, front
1	Mounting bracket, driver / left, rear
1	Mounting bracket, passenger / right, rear
6	Fit adjustment spacer, 127mm x 25mm x 3mm
4	Bolt plate, M10 - 1.50 x 30mm
4	Nylock nut, M10
4	Flat washer, M10 x 30mm x 2.5mm
8	Flat washer, M10 x 25mm x 2mm
8	Hex bolt, M10 x 30mm
8	Lock washer, M10
8	Hex bolt, M8 - 1.25 x 35mm
8	Nylock nut, M8
16	Flat washer, M8

### Torque Specifications

	METRIC	SAE
M6 bolt	3 ft.-lbs.	
M8 bolt	7 ft.-lbs.	
M10 bolt	16 ft.-lbs.	
M12 bolt	28 ft.-lbs.	
1/4" bolt	3 ft.-lbs.	
5/16" bolt	7 ft.-lbs.	
3/8" bolt	16 ft.-lbs.	
7/16" bolt	20 ft.-lbs.	
1/2" bolt	28 ft.-lbs.	

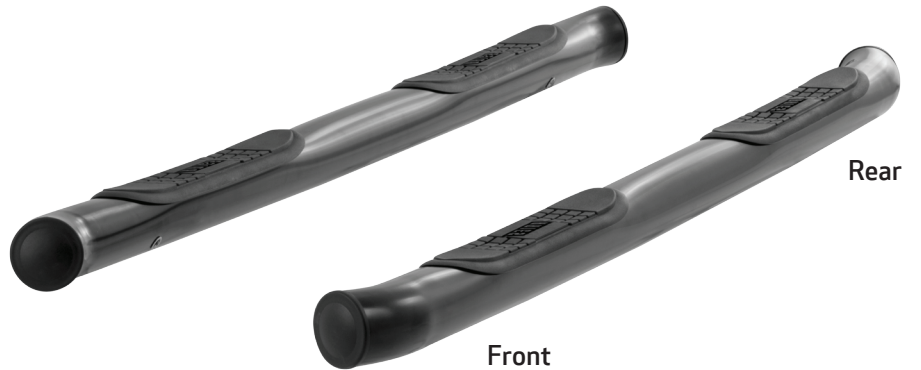
### Level of Difficulty

Easy

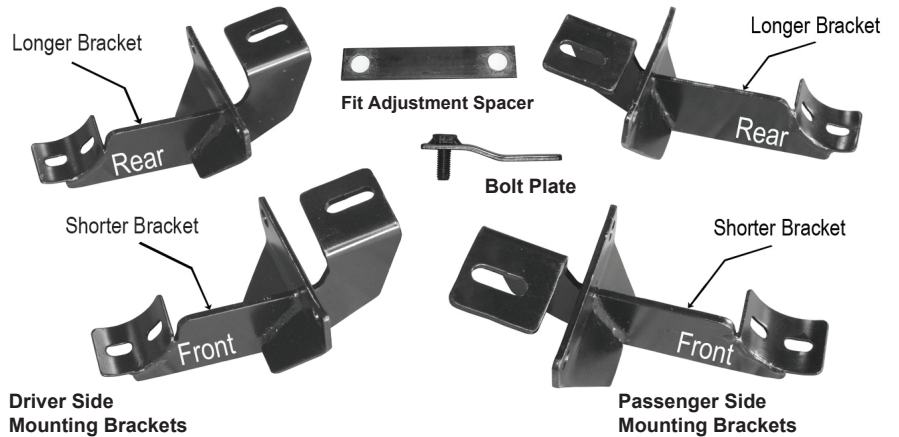


Scan for helpful install tips

### Product Image



### Brackets and Hardware



### Notes and Maintenance

Before you begin installation, read all instructions thoroughly.

Proper tools will improve the quality of installation and reduce the time required.

To protect the product, wax after installing. Regular waxing is recommended to add a protective layer over the finish. Do not use any type of polish or wax that may contain abrasives that could damage the finish.

For black finishes, mild soap may be used to clean the product.

Refer to the table to the left when securing hardware during the installation process to help prevent damage to the product or vehicle.

## PROCEDURE:

1. REMOVE CONTENTS FROM BOX. VERIFY ALL PARTS ARE PRESENT. READ INSTRUCTIONS CAREFULLY BEFORE STARTING INSTALLATION.
2. Starting on the driver side front of the vehicle, insert (1) M10-1.50 x 30mm Bolt Plate into rectangular hole located in the side panel, so threaded Bolt Plate drops through round hole (**Figure 1**).
3. Partially hang driver side front Mounting Bracket to already inserted Bolt Plate using the included (1) M10 Nylock Nut and (1) large M10 Flat Washer to secure it (**Figure 2**).  
**NOTE:** Rear Mounting Brackets are  $\frac{1}{4}$ " longer than front Mounting Brackets and the 10mm mounting tab location on the brackets face the front of the vehicle. Make sure that the vertical mounting locations in the Brackets are on the outer side of pinch weld.
4. Attach Mounting Bracket to pinch weld using the included (2) M8-1.25 x 35mm Hex Head Bolts, (2) M8 Nylock Nuts, and (4) M8 Flat Washers (**Figure 2**). Do not tighten at this time. **NOTE:** Depending upon the vehicle, the front of the Sidebar might make contact with front factory flares. If so, place one, two, or three of the Fit Adjustment Spacers on the outside of the pinch weld between the Mounting Bracket and the pinch weld as needed (**Figure 4**).
5. Repeat steps 2-4 for driver side rear Mounting Bracket (**Figure 3**).
6. Position driver Sidebar onto Mounting Brackets. Attach Side Bar to Mounting Brackets using the included (4) M10 Hex Head Bolts, (4) M10 Lock Washers, and (4) M10 small Flat Washers (**Figure 5**). Do not tighten at this time.
7. Level and adjust Side Bar properly; and then tighten all hardware at this time.
8. Repeat steps 2-7 for passenger Sidebar (**Figure 6 & 7**).
9. Do periodic inspections to the installation to make sure that all hardware is secure and tight.

