

INSTALLATION MANUAL

2051178

Level of Difficulty

Easy

Parts List

1	Driver / left running board*
1	Passenger / right running board*
2	Mounting bracket, front
2	Mounting bracket, middle
2	Mounting bracket, rear
2	Spacer plate, 1/2"
2	Fishwire, 1/2"
2	Carriage bolt, 1/2"
2	Hex nut, 1/2"
2	Lock washer, 1/2"
2	Flat washer, 1/2"
2	Fishwire, M6
2	Carriage bolt, M6
2	Spacer plate, M6
2	Flat washer, M6
2	Lock washer, M6
2	Hex nut, M6
2	Nut plate, M8
2	Hex bolt, M8
2	Flat washer, M8
2	Lock washer, M8
4	T-bolt plate, M10
2	T-bolt plate, M10 x 25.4mm
6	Flat washer, M10
6	Lock washer, M10
6	Hex nut, M10
6	Plastic bolt retainer, M10

* Running boards sold separately

Tools Required

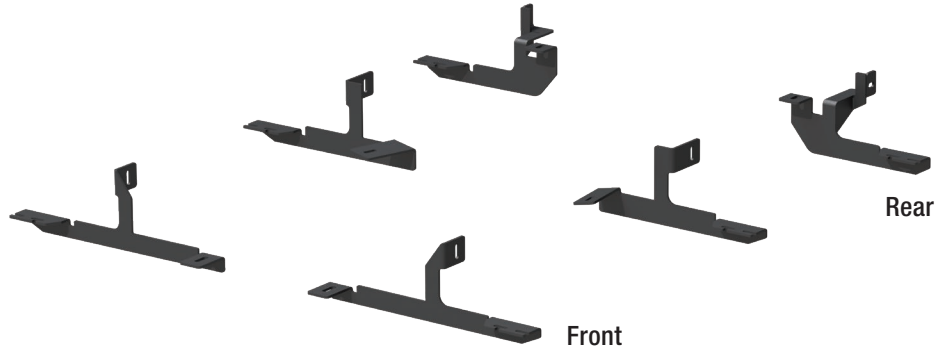
Ratchet	Socket set
Level	--

Additional Hardware*

12	Hex bolt, M8
12	Flat washer, M8
12	Lock washer, M8
12	Hex nut, M8

* Aluminum side bars are supplied with additional hardware. Quantities listed are in addition to the standard supplied hardware.

Product Photo



AeroTread™ (not included)



Notes and Maintenance

Before you begin installation, read all instructions thoroughly.

Proper tools will improve the quality of installation and reduce the time required.

To protect the product, wax after installing. Regular waxing is recommended to add a protective layer over the finish. Do not use any type of polish or wax that may contain abrasives that could damage the finish.

For polished, gloss and other smooth finishes, polish may be used to clear small scratches and scuffs on the finish.

Mild automotive detergent may be used to clean the product. Do not use dish detergent, abrasive cleaners, abrasive pads, wire brushes or other similar products that may damage the finish.

Refer to the last page of this manual for product registration information.

Refer to the table below when securing hardware during the installation process to help prevent damage to the product or vehicle.

Torque Specifications

Metric	Torque		SAE	Torque	
	Bolt	Washer		Bolt	Washer
M6 bolt		3 ft-lbs.	1/4" bolt		3 ft-lbs.
M8 bolt		7 ft-lbs.	5/16" bolt		7 ft-lbs.
M10 bolt		16 ft-lbs.	3/8" bolt		16 ft-lbs.
M12 bolt		28 ft-lbs.	7/16" bolt		20 ft-lbs.
--		--	1/2" bolt		28 ft-lbs.

Use above torque setting unless otherwise noted

Step 1

Starting on the driver side, locate the three mounting locations underneath the vehicle.

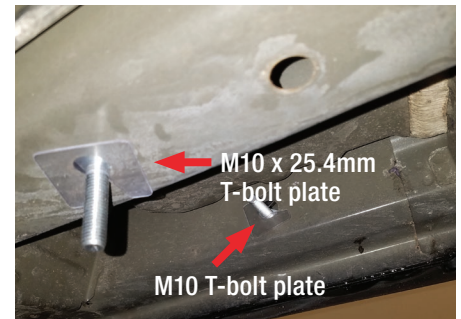
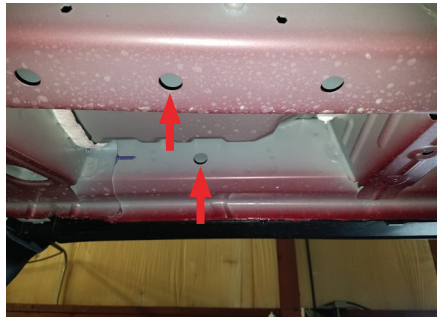
Note: Each bracket is specific to a mounting location. Reference to the product image on page 1 for correct locations.



Step 2

Locate the front mounting points.

Insert an M10 T-bolt plate into the side opening and an M10 x 25.4mm T-bolt plate into the rear opening. Slide a plastic bolt retainer over the threads of the bolts to secure the bolts in place.



Step 3

Place the front driver-side bracket onto the vehicle and secure with two M10 hex nuts, lock washers and flat washers.

Snug the hardware, but do not fully tighten.



Step 4

Locate the middle mounting points.

Insert an M10 T-bolt plate into side opening. Slide a plastic bolt retainer over the threads of the bolt to secure the bolt in place.

Fishwire an M6 carriage bolt and spacer plate into the mounting location.



Step 5

Place the middle driver-side bracket onto the vehicle and secure with an M10 hex nut, lock washer and flat washer.

With an M6 carriage bolt in place, secure with an M6 hex nut, lock washer and flat washer.

Snug the hardware, but do not fully tighten.



Step 6

Locate the rear mounting points and remove the rubber plugs.

Insert an M8 nut plate into the side opening.

In the second mounting location, fishwire a 1/2" carriage bolt and spacer plate into place.

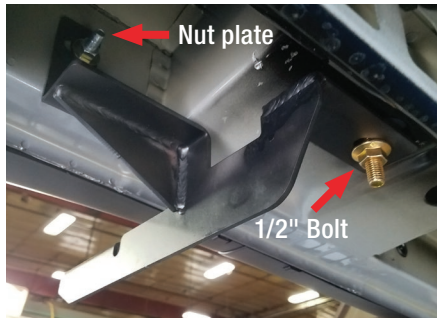


Step 7

Place the rear driver-side bracket onto the vehicle and secure the nut plate with an M8 hex bolt, lock washer and flat washer.

With a 1/2" carriage bolt in place, secure with a 1/2" hex nut, lock washer and flat washer.

Snug the hardware, but do not fully tighten.



Step 8

Remove the M8 nuts, lock washers and flat washers from the running board.

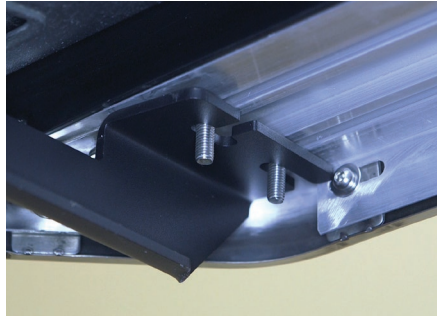
Place the running board onto the brackets and align the M8 bolts with the slots in the brackets on the vehicle.



Step 9

Attach the running board to the brackets using six M8 bolts, lock washers, flat washers and nuts.

Snug the hardware, but do not fully tighten.



Step 10

Adjust and level the running board, centering it between the front and rear wheel wells.

With the running board in position, it is recommended to tighten all brackets to the vehicle first, followed by the running board connections.



Step 11

Repeat steps 1 through 10 on the passenger side of the vehicle.

Congratulations on the installation of your new ARIES AeroTread™ running boards.

With the running boards installed, periodic inspections should be performed to ensure all mounting hardware remains tight.

To protect your investment, see the 'Notes and Maintenance' section on the first page of this instruction manual.



Product Registration

CURT Group stands behind our products with industry leading warranties. You can help us continue to improve our product line and help us understand your needs by registering your purchase by visiting:

warranty.curtgroup.com/surveys

At CURT Group, customer is king. We value your feedback and we use that information to make improvements on our products. Please, take a minute and let us know how we are doing.