

INSTALLATION MANUAL

2051179

Level of Difficulty

Easy

Parts List

1	Driver / left running board
1	Passenger / right running board
2	Mounting bracket, front
2	Mounting bracket, middle
2	Mounting bracket, rear
4	Hex head screw, M6 x 1.25
4	Flat washer, M6
8	Bolt plate, M10
8	Flat washer, M10
8	Lock washer, M10
8	Hex nut, M10
8	Plastic bolt retainer

Tools Required

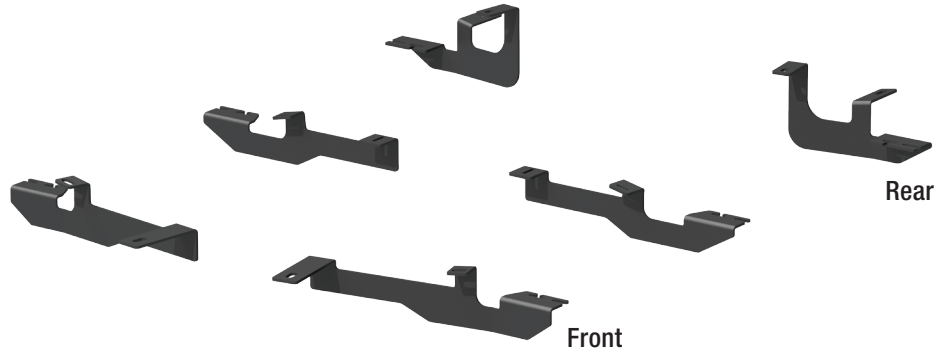
Ratchet	Socket, 10mm
Torque wrench	Socket, 17mm
Flathead screwdriver	Level

Torque Specifications

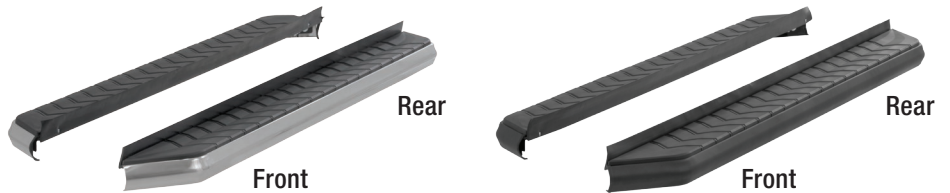
	Metric	SAE
	M6 bolt	3 ft.-lbs.
	M8 bolt	7 ft.-lbs.
	M10 bolt	16 ft.-lbs.
	M12 bolt	28 ft.-lbs.
	1/4" bolt	3 ft.-lbs.
	5/16" bolt	7 ft.-lbs.
	3/8" bolt	16 ft.-lbs.
	7/16" bolt	20 ft.-lbs.
	1/2" bolt	28 ft.-lbs.

Use above torque setting unless otherwise noted

Product Photo



AeroTread™ (not included)



Notes and Maintenance

Before you begin installation, read all instructions thoroughly.

Proper tools will improve the quality of installation and reduce the time required.

To protect the product, wax after installing. Regular waxing is recommended to add a protective layer over the finish. Do not use any type of polish or wax that may contain abrasives that could damage the finish.

For polished, gloss and other smooth finishes, polish may be used to clear small scratches and scuffs on the finish.

Mild automotive detergent may be used to clean the product. Do not use dish detergent, abrasive cleaners, abrasive pads, wire brushes or other similar products that may damage the finish.

Refer to the table to the left when securing hardware during the installation process to help prevent damage to the product or vehicle.

Step 1

Starting on the driver side, locate the three mounting locations along the bottom edge of the vehicle body.



Step 2

Remove any plugs from the mounting location.

Insert an M10 bolt plate into each of the mounting points on the vehicle frame. Slide a plastic bolt retainer over the threads of the bolts to hold them in place.

Place the front driver-side mounting bracket onto the vehicle and secure with an M10 flat washer, lock washer and hex nut.

Snug the hardware, but do not fully tighten.



Step 3

Locate the middle mounting locations for the middle bracket. Secure the bracket to the vehicle using M6 screws and flat washers.

Snug the hardware, but do not fully tighten.



Step 4

Locate the rear mounting tab and insert two M10 bolt plates. Slide two plastic bolt retainers over the threads of the bolts to hold the bolts in place.

Place the rear bracket onto the vehicle and secure with two M10 flat washers, lock washers and hex nuts.



Step 5

Remove the M8 nuts, lock washers and flat washers from the running board.

Place the running board onto the brackets and align the M8 bolts with the slots in the brackets on the vehicle.

Attach the running board to the brackets using the provided hardware.

Snug the hardware, but do not fully tighten



Step 6

At this time, adjust the running board to the desired location.

With the running board in position, it is recommended to tighten all brackets to the vehicle first, followed by the running board connections.

For recommended torque specifications, refer to the table on page one.



Step 7

Repeat steps 1 through 6 to install the running board to the brackets on the passenger side of the vehicle.

Congratulations on the installation of your new ARIES AeroTread™ running boards.

With the running boards installed, periodic inspections should be performed to ensure all mounting hardware remains tight.

To protect your investment, see the 'Notes and Maintenance' section on the first page of this instruction manual.

