

INSTALLATION INSTRUCTIONS

VEHICLE

INFINITI I30
INFINITI I35
NISSAN MAXIMA

EQUIPMENT REQUIRED:

WIRING ACCESS LOCATION: PC3, PC4

DRILL BITS: 1/2

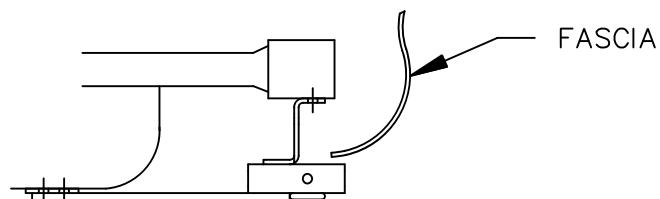
HITCH REQUIRES 1/2" PIN AND CLIP

WRENCHES: (TIGHTEN ALL FASTENERS WITH TORQUE WRENCH) 7/8

IMPORTANT
INSTALL TWO (2) GALVANIC ISOLATOR SHIELDS PER BLOCK. ISOLATOR SHIELDS MUST BE PLACED BETWEEN BLOCK AND ALUMINUM BUMPER.

2000 LB MAX GROSS TRAILER WT
200 LB MAX TONGUE WEIGHT
DO NOT EXCEED TOWING VEHICLE RATINGS

IMPORTANT
INSTALL TWO (2) GALVANIC ISOLATOR SHIELDS (2514) PER BUMPER MOUNTING TAB. ISOLATOR SHIELDS MUST BE PLACED BETWEEN HITCH AND ALUMINUM BUMPER.



HITCH SHOWN IN PROPER POSITION

95-96 NISSAN MAXIMA

2000 AND LATER NISSAN MAXIMA

95-01 INFINITI I 30

02 & LATER INFINITI I 35

1/2-13 X 1.75 GR5
CARRIAGE BOLT
1/4 X 1 X 3 BLOCK
FLAT WASHER
LOCK WASHER
NUT

2000 AND LATER
INFINITI I-30 & I-35
ATTACHMENT
HOLES

TRUNK PAN

REMOVE SPARE TIRE BEFORE
DRILLING HOLES IN TRUNK PAN.

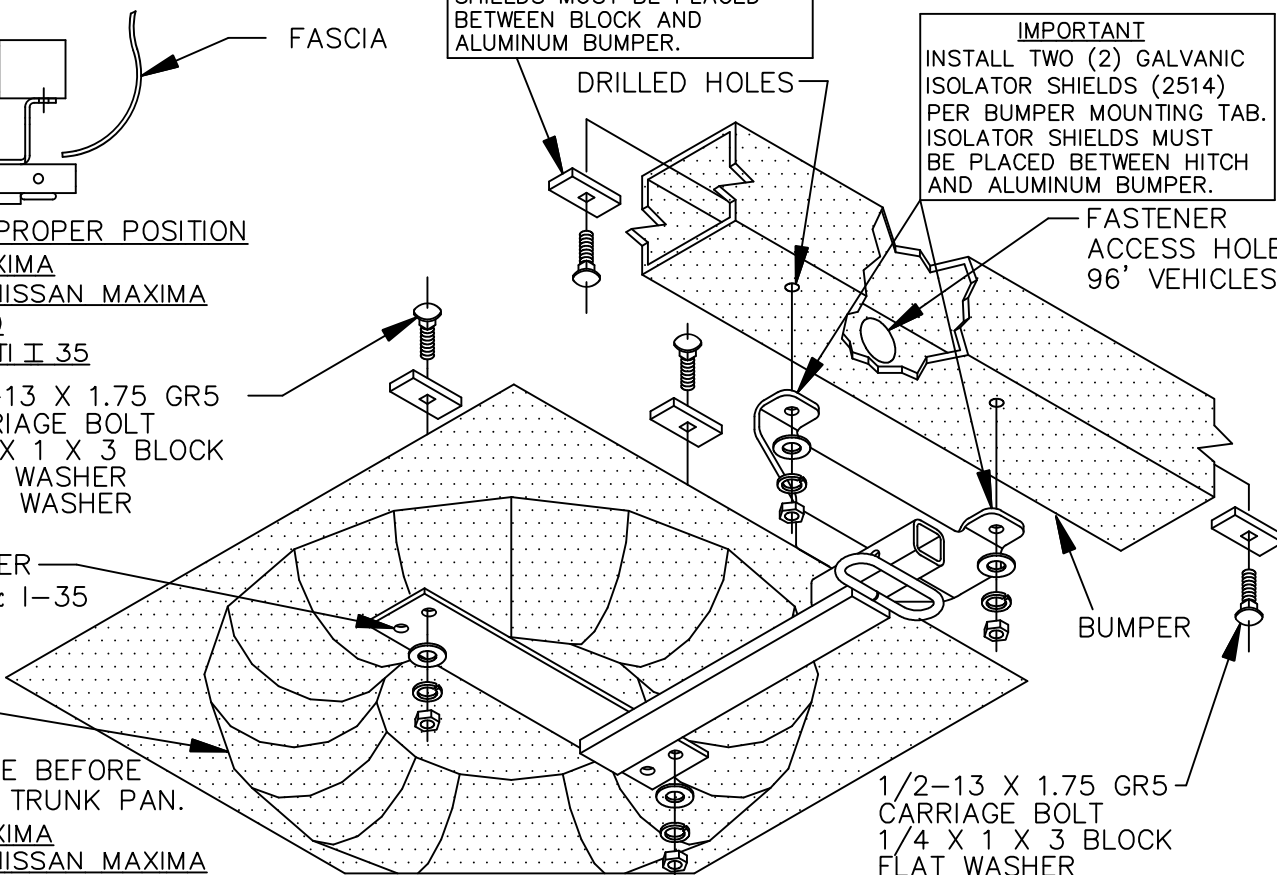
95-96 NISSAN MAXIMA

2000 AND LATER NISSAN MAXIMA

95-01 INFINITI I 30

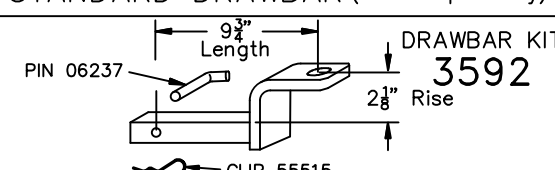
02 & LATER INFINITI I 35

1/2-13 X 1.75 GR5
CARRIAGE BOLT
1/4 X 1 X 3 BLOCK
FLAT WASHER
LOCK WASHER
NUT

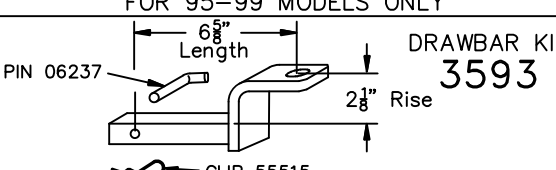


- FOR VEHICLES WITH ALUMINUM BUMPERS, PLACE TWO (2) GALVANIC ISOLATORS ON EACH BUMPER MOUNTING TAB AND CUT OUT GALVANIC ISOLATOR SHIELDS IN AREA OF HOLES (BUMPER MOUNTING TABS MUST BE COMPLETELY COVERED WITH THE GALVANIC ISOLATOR SHIELDS WHERE IT MAKES CONTACT WITH THE ALUMINUM BUMPER).
- RAISE HITCH INTO POSITION CENTERED ON VEHICLE.
- WITH HITCH IN POSITION, MARK LOCATION OF HOLES ON VEHICLE BUMPER AND TRUNK PAN.
- REMOVE SPARE TIRE BEFORE DRILLING HOLES IN TRUNK PAN.
- DRILL 1/2" HOLES IN VEHICLE BUMPER AND TRUNK PAN AT LOCATIONS MARKED IN STEP 3.
- FOR VEHICLES WITH ALUMINUM BUMPERS, APPLY GALVANIC ISOLATOR SHIELDS ON 1/4 X 1 X 3 BLOCKS THAT CONTACT THE BUMPER.
- RAISE HITCH BACK INTO POSITION AND INSTALL FASTENERS AS SHOWN ABOVE AND REPLACE SPARE TIRE AND SEAL ALL HOLES IN TRUNK PAN TO PREVENT WATER AND EXHAUST FUMES FROM ENTERING VEHICLE. TIGHTEN ALL 1/2 GR5 FASTENERS TO 75 LB.-FT.

STANDARD DRAWBAR (Sold Separately)



OPTIONAL DRAWBAR (SOLD SEPARATELY) FOR 95-99 MODELS ONLY



USE ONLY THE DRAWBAR SHOWN FOR CORRECT BUMPER CLEARANCE AND HEIGHT.
DRAWBAR MUST BE USED IN THE RISE POSITION ONLY.

THIS PRODUCT COMPLIES WITH SAFETY SPECIFICATIONS AND REQUIREMENTS FOR CONNECTING DEVICES AND TOWING SYSTEMS OF THE STATE OF NEW YORK AND V.E.S.C. REGULATION V-5.

APPROX WEIGHT (LB.)	FASTENER KIT
14.5	K24686

NOTE: Check hitch frequently, making sure all fasteners and ball are properly tightened. If hitch is removed, plug all holes in trunk pan or other body panels to prevent entry of water and exhaust fumes. A hitch or ball which has been damaged should be removed and replaced. Observe safety precautions when working beneath a vehicle and wear eye protection. Follow car maker's specs for maximum trailer weight and tongue weight. Do not cut access or attachment holes with a torch.

Cequent Performance Products
Plymouth, Michigan

PRINTED IN MEXICO

INSTALLATION INSTRUCTIONS

EQUIPMENT REQUIRED:

WIRING ACCESS LOCATION:

DRILL BITS: 1/2, 1" HOLE SAW

HITCH REQUIRES 1/2" PIN AND CLIP

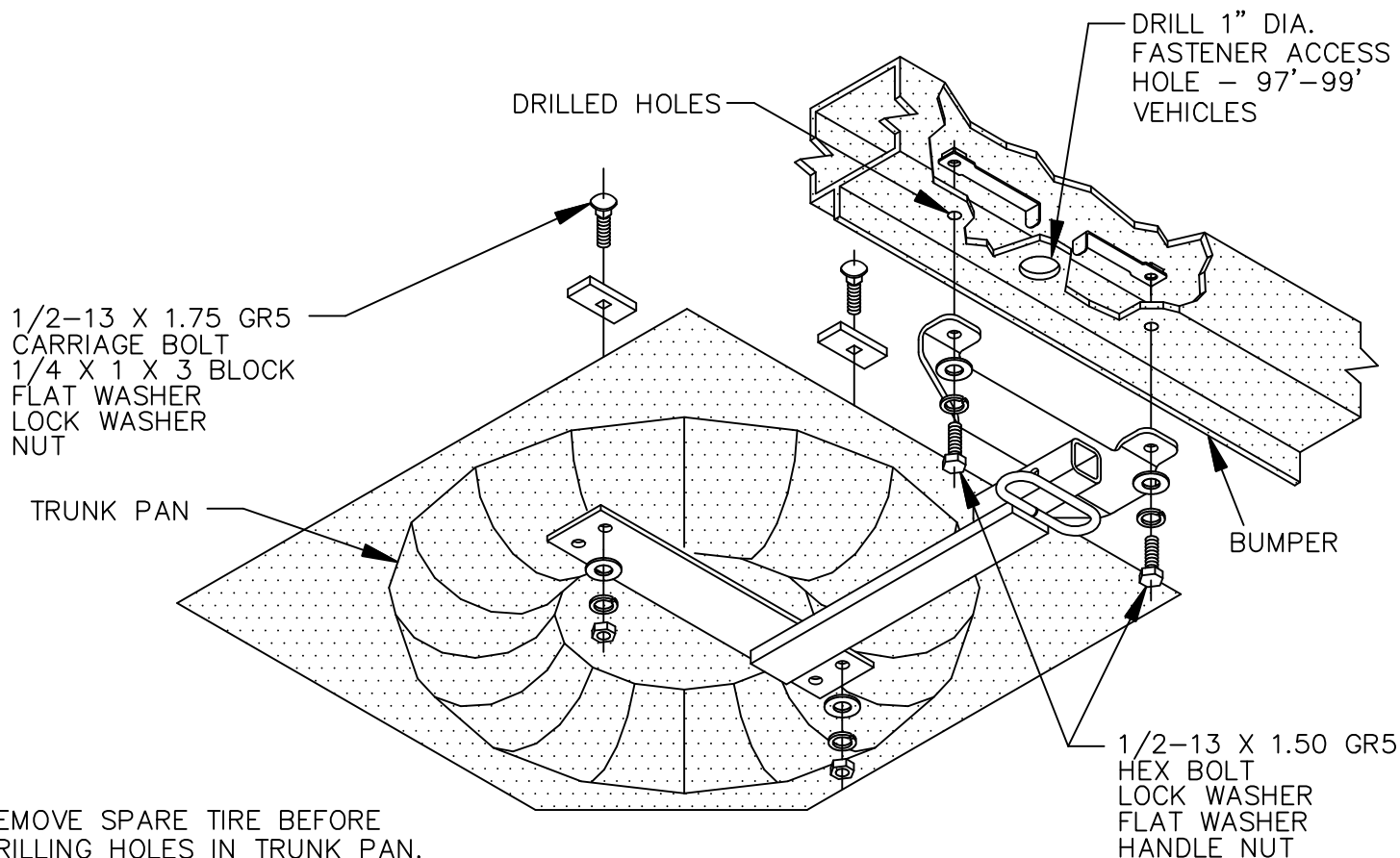
WRENCHES: (TIGHTEN ALL FASTENERS WITH TORQUE WRENCH) 3/4, 7/8

VEHICLE

INFINITI I30
INFINITI I35
NISSAN MAXIMA

2000 LB MAX GROSS TRAILER WT
200 LB MAX TONGUE WEIGHT
DO NOT EXCEED TOWING VEHICLE RATINGS

97'-99' NISSAN MAXIMA



REMOVE SPARE TIRE BEFORE
DRILLING HOLES IN TRUNK PAN.

97'-99' NISSAN MAXIMA

1. RAISE HITCH INTO POSITION CENTERED ON VEHICLE.
2. WITH HITCH IN POSITION, MARK LOCATION OF HOLES ON VEHICLE BUMPER AND TRUNK PAN.
3. REMOVE SPARE TIRE BEFORE DRILLING HOLES IN TRUNK PAN.
4. DRILL 1/2" HOLES IN VEHICLE BUMPER AND TRUNK PAN AT LOCATIONS MARKED IN STEP 3.
5. USING A HOLE SAW DRILL A 1" ACCESS HOLE THRU THE BOTTOM OF THE BUMPER CENTERED BETWEEN THE HITCH ATTACHMENT HOLES.
6. RAISE HITCH BACK INTO POSITION AND INSTALL FASTENERS AS SHOWN ABOVE AND REPLACE SPARE TIRE AND SEAL ALL HOLES IN TRUNK PAN TO PREVENT WATER AND EXHAUST FUMES FROM ENTERING VEHICLE.

TIGHTEN 1/2 CARRIAGE BOLTS TO 75 LB.-FT.
TIGHTEN 1/2 HANDLE NUTS TO 50 LB.-FT.

THIS PRODUCT COMPLIES WITH SAFETY SPECIFICATIONS AND REQUIREMENTS FOR CONNECTING DEVICES AND TOWING SYSTEMS OF THE STATE OF NEW YORK AND V.E.S.C. REGULATION V-5.

APPROX WEIGHT (LB.)

NOTE: Check hitch frequently, making sure all fasteners and ball are properly tightened. If hitch is removed, plug all holes in trunk pan or other body panels to prevent entry of water and exhaust fumes. A hitch or ball which has been damaged should be removed and replaced. Observe safety precautions when working beneath a vehicle and wear eye protection. Follow car maker's specs for maximum trailer weight and tongue weight. Do not cut access or attachment holes with a torch.

Cequent Performance Products
Plymouth, Michigan

PRINTED IN MEXICO