

# Installation Instructions

## PART NUMBERS: 24965, 77965, CQT24965



Scan for safe towing tip, or visit <http://www.cequentgroup.com/gr-product.aspx>

## WARNING

To prevent **SERIOUS INJURY, DEATH or PROPERTY DAMAGE:**

- **ALWAYS read, understand and follow warnings and instructions for your hitch BEFORE installation. Keep for future reference.**
  - **DO NOT cut, weld or modify this receiver.**
  - **CHECK all fasteners are tight and your hitch is securely mounted to your vehicle periodically.**
  - **ALWAYS read, understand and follow all warnings and instructions for your vehicle and for other accessories you will use with your hitch BEFORE use.**
  - **LOAD the trailer heavier in front.**
  - **DO NOT exceed lower of towing vehicle manufacturer's rating or:**
- | Hitch Type          | Max Gross Trailer Weight | Max Tongue Weight |
|---------------------|--------------------------|-------------------|
| Weight Carrying     | 2000 lb. (908 kg)        | 200 lb. (90.8 kg) |
| Weight Distributing | X                        | X                 |
- **ALWAYS wear your seatbelt.**
  - **SLOW DOWN when towing, NEVER exceed any posted speed limit.**
  - **If EXCESS SWAY occurs, take your foot off the gas pedal and hold the steering wheel as steady as possible. DO NOT apply your brakes and DO NOT speed up.**

## LIMITED LIFETIME WARRANTY

1. **Limited Lifetime Warranty ("Warranty").** Horizon Global ("We", "Us" or "Our") warrants to the original consumer purchaser only ("You" or "Your") that the product will be free from material defects in both material and workmanship, ordinary wear and tear excepted. The Warranty is valid only if (a) the products are returned to Us for inspection and testing; (b) Our inspection discloses to Our satisfaction that any alleged nonconformance are material and have not been caused by misuse, neglect, wear and tear, improper installation, unsuitable storage, improper repair, alteration, or accident; and (c) the products were installed, maintained and used in accordance with Our instructions. **THE WARRANTY IS MADE IN LIEU OF ALL OTHER WARRANTIES, EXPRESS OR IMPLIED (OTHER THAN THE WARRANTY OF TITLE AS PROVIDED BY THE UNIFORM COMMERCIAL CODE IN EFFECT IN MICHIGAN), INCLUDING WITHOUT LIMITATION, ANY WARRANTIES OF MERCHANTABILITY OR FITNESS FOR A PARTICULAR PURPOSE, SAID WARRANTIES BEING EXPRESSLY DISCLAIMED.**
2. **Obligations of Purchaser.** To make a Warranty claim, contact Us at our principal address of 47912 Halyard Drive, Suite 100, Plymouth, MI 48170, 1-800-632-3290, identify the product by model number, and follow the claim instructions that will be provided. Any returned product that is replaced by Us becomes our property. You may be responsible for return shipping costs. Please retain your purchase receipt to verify date of purchase and that You are the original consumer purchaser. The product and the purchase receipt must be provided to Us in order to process Your Warranty claim.
3. **Exclusive Remedy.** Product replacement is Your sole and exclusive remedy under this Warranty. We shall not be liable for service or labor charges incurred in removing or replacing a product. **IN NO EVENT WILL WE BE RESPONSIBLE FOR ANY INDIRECT, SPECIAL, CONSEQUENTIAL OR PUNITIVE DAMAGES.**
4. **Assumption of Risk.** You acknowledge and agree that any use of the product for any purpose other than the specified use(s) stated in the product instructions is at Your own risk.
5. **Governing Law.** This Warranty gives You specific legal rights, and You also may have other rights which vary from state to state. This Warranty is governed by the laws of the State of Michigan, without regard to rules pertaining to conflicts of law. The state courts located in Oakland County, Michigan shall have exclusive jurisdiction for any disputes relating to this Warranty.

Rev 8/2015

# Installation Instructions

**PART NUMBERS: 24965, 77965, CQT24965**



Scan for step by step PHOTO installation instruction or visit <http://www.cequentgroup.com/gr-product.aspx>

Website: [www.cequentgroup.com](http://www.cequentgroup.com)  
 Technical Assistance: 800-632-3290  
 TechnicalSupport@horizonglobal.com

## Applications:

Years	Make	Models
-------	------	--------

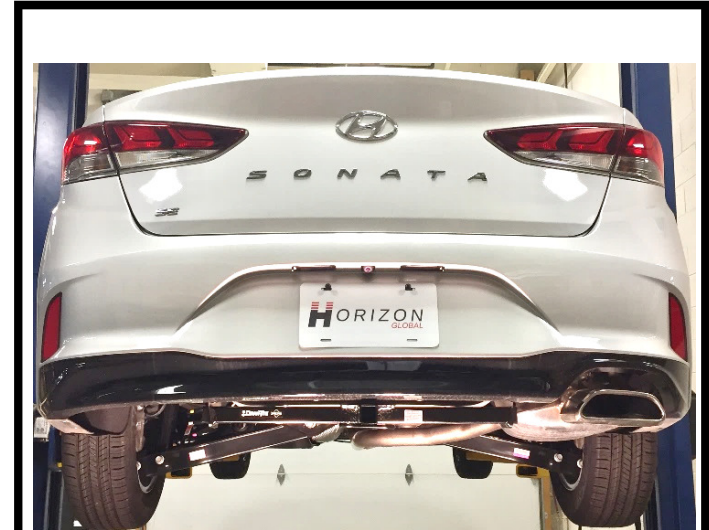
2011 - Current*	Kia	Optima
-----------------	-----	--------

2011 –Current*	Hyundai	Sonata
----------------	---------	--------

\*Visit our website for the most up to date information regarding application years and trim levels.

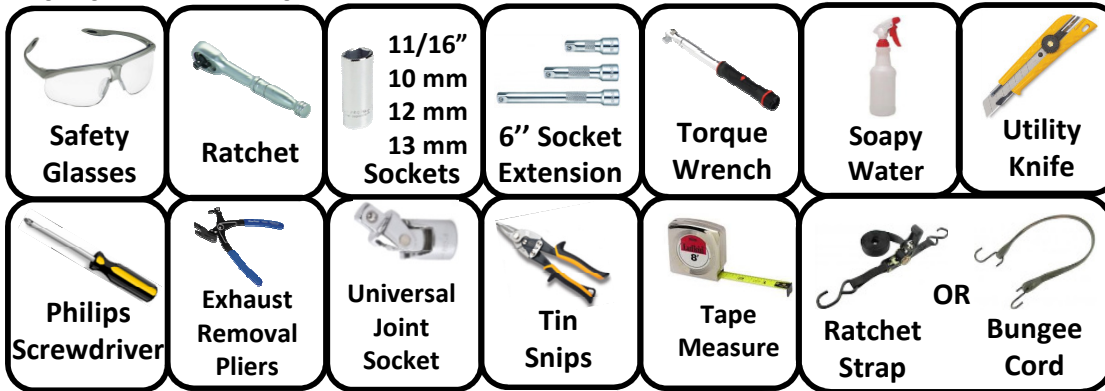
## Installation Time: 40 min

The time listed above is the average time for professional installers. If you do not feel comfortable performing this installation on your own or are in need of assistance, please contact a professional installer.



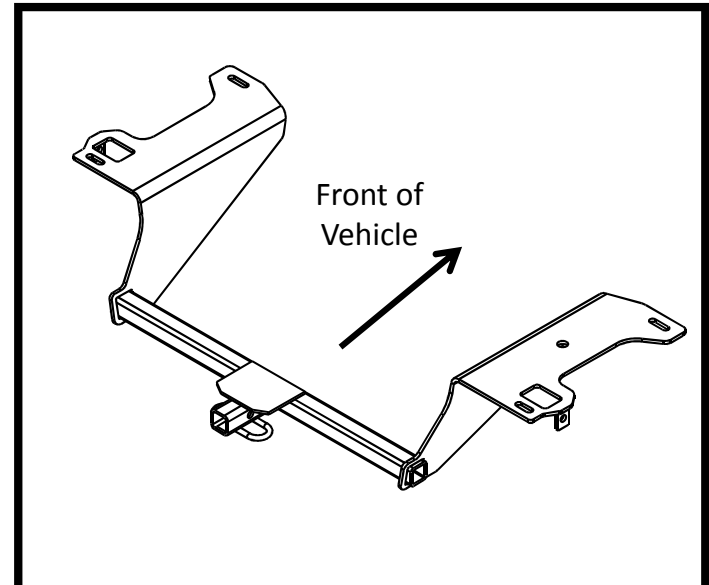
**Representative Vehicle Photo**

## Equipment Required:



**DO NOT EXCEED LOWER OF TOWING VEHICLE MANUFACTURER'S RATING OR:**

Hitch Type	Max Gross Trailer Weight	Max Tongue Weight
Weight Carrying	2000 lb. (908 kg)	200 lb. (90.8 kg)
Weight Distributing	X	X



**Hitch Illustration**

# Installation Instructions

## PART NUMBERS: 24965, 77965, CQT24965

Fastener Kit: 24965F

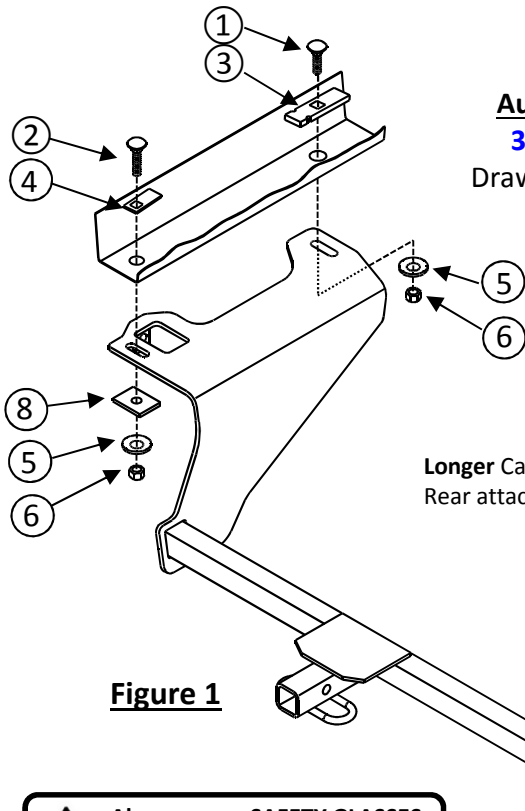


Figure 1

**Authorized Drawbar Kit:**  
**3593** (Sold Separately)  
 Drawbar must be used in the **RISE** position only.

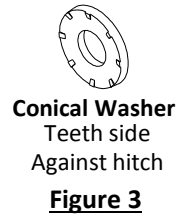


Figure 3

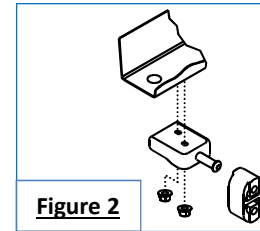


Figure 2

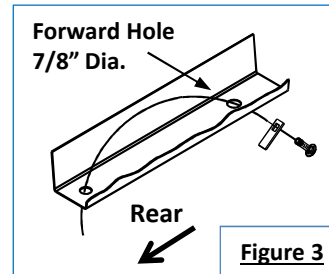


Figure 3

Longer Carriage Bolt  
Rear attachment

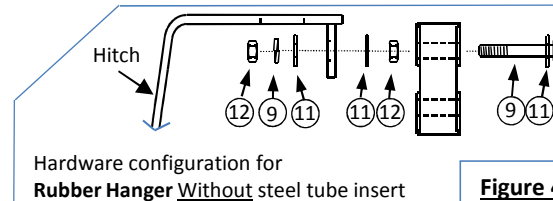


Figure 4

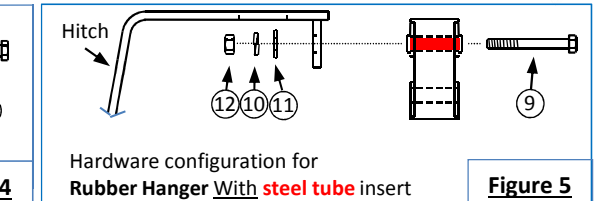


Figure 5

**Always wear SAFETY GLASSES when installing hitch**

①	Qty. (2)	Carriage Bolt 7/16-14 x 1.25 Gr5	
②	Qty. (2)	Carriage Bolt 7/16-14 x 1.50 Gr5	
③	Qty. (2)	Special Washer .109" x .88 x 2.0 Part no. 1204	
④	Qty. (2)	Spacer Block 3/4 x 7/8 x 3.00 Part no. HE-2370-000	
⑤	Qty. (4)	Conical washer 7/16 Part no. 01292007	
⑥	Qty. (4)	Hex Nut 7-16-14 Gr2	
⑦	Qty. (4)	Flat Washer 7/16 Used as spacer, some models	
⑧	Qty. (2)	Spacer block 3/16 x 1.50 x 2.00 Part no. 04833001	
⑨	Qty. (2)	Bolt M8 X 1.25 X 65 CL10.9	
⑩	Qty. (2)	Lock Washer 5/16	
⑪	Qty. (6)	Flat Washer 5/16	
⑫	Qty. (4)	Hex Nut M8 X 1.25 CL10	
⑬	Qty. (4)	Pull Wire 7/16	

- Lower mufflers** – Lower muffler(s) removing the rearmost rubber hanger(s) and the rubber hanger near rear axle. A spray a lubricant on rubber hangers makes them slide off metal pins more easily.  
**NOTE:** Be careful that exhaust is supported before removing rubber hangers. **See Figure 2.**
- Remove factory muffler hanger bracket(s)** - Remove (2) hex nuts per hanger bracket to remove. Return bracket(s) and fasteners to vehicle owner. **See Figure 2.**
- Remove drivers side plastic appearance panel (if present)** – Either return to vehicle owner or see **Figure 10** for optional trimming of panel.
- Remove plastic appearance panel (if present) covering space between bumper fascia and trunk pan** – Remove and return to vehicle owner.
- Remove heat shield(s)** – Remove the hex nuts (3 to 5 per heat shield) holding heat shield(s) to bottom of vehicle. See next page for heat shield trimming. **NOTE:** Shield(s) will be trimmed and replaced prior to installing hitch.
- Install rearmost attachment fasteners** - Using the 7/16 pull wires provided, install the 7/16 x 1.50 long carriage bolts and special washers (**item 3**) through the 7/8" diameter holes in bottom of frame, both sides. Pull carriage bolts down through 3/4" diameter holes toward rear of vehicle. **See Figure 3.**
- Install forward attachment fasteners** – Using the 7/16 pull wires provided, install the 7/16 x 1.25 long carriage bolts and spacer blocks (**item 4**) up through 7/8" diameter holes and back down through same hole, both sides.
- Trim heat shield(s)** - Trim heat shield(s), **See figures 7, 8, and 9 for details on how to trim muffler heat shield(s).**
- Reinstall heat shields** – Reinstall heat shields using same hardware removed.
- Raise hitch into position** - Install 7/16 conical toothed washers and hex nuts onto forward carriage bolt attachments. Install spacer blocks (**item 8**), 7/16 conical toothed washers and hex nuts onto **rearmost** carriage bolt attachments, **See Figure 1**. Be careful not to push bolts back into frame. **NOTE:** Insert 7/16" flat washers (item 7) as needed on rear attachments between hitch and frame to take up space for vehicles with raised area for muffler hangers. On dual exhaust vehicles, it may be necessary to push hitch towards the passenger side as far as possible so that hitch bracket is up against vehicle trunk pan. This allows more clearance for exhaust on Driver's side. Torque fasteners to specifications below.
- Trim Fascia** – On some models it may be necessary to trim a small notch in the fascia at the rear edge of hitch side bracket.
- Tighten all 7/16-14 fasteners with torque wrench to 50 Lb.-Ft. ( 68 N\*M)**  
**▲ Proper torque is needed to keep the hitch secure to the vehicle when towing.**
- Raise muffler(s) back into position** - Reattach rubber hangers as shown in Fig 4 or Fig 5. Tighten all M8 fasteners to proper torque specifications. **NOTE:** Hardware configuration varies by vehicle.
- Reinstall plastic appearance panel** – Using existing hardware, reinstall panel removed in Step 3 if trimming was preferred by vehicle owner.

Note: check hitch frequently, making sure all fasteners and ball are properly tightened. If hitch is removed, plug all holes in trunk pan or other body panels to prevent entry of water and exhaust fumes. A hitch or ball which has been damaged should be removed and replaced. Observe safety precautions when working beneath a vehicle and wear eye protection. Do not cut access or attachment holes with a torch. This product complies with safety specifications and requirements for connecting devices and towing systems of the state of New York, V.E.S.C. Regulation V-5 and SAE J684.

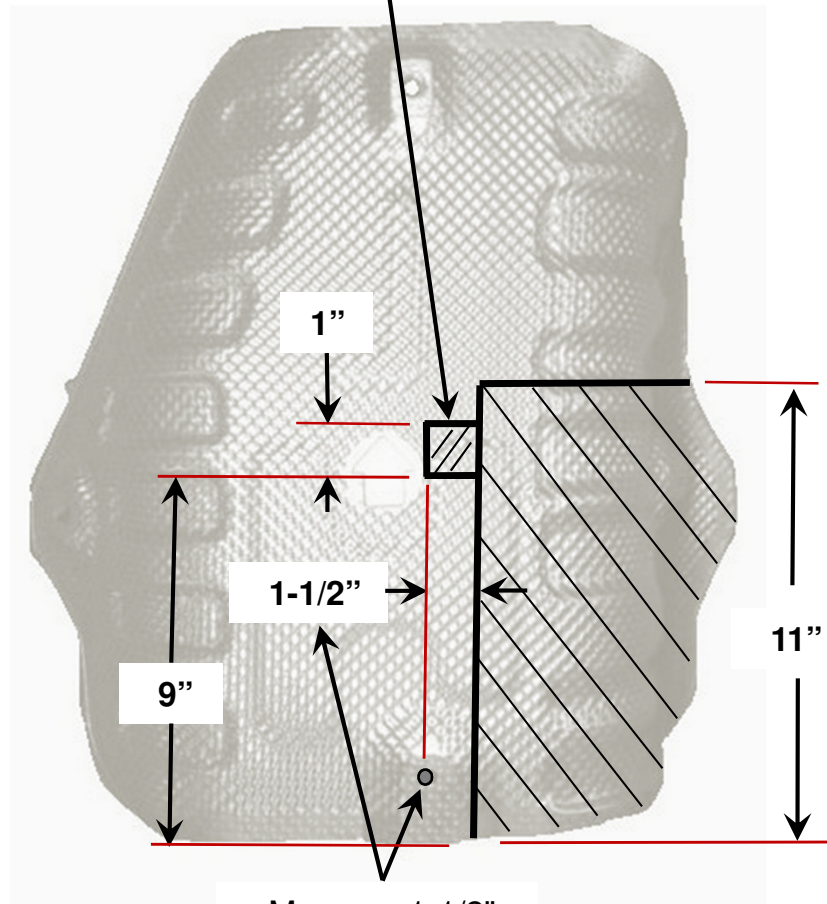
# Installation Instructions

PART NUMBERS: 24965, 77965, CQT24965

**Kia Optima**  
muffler heat shields

**Figure 7**

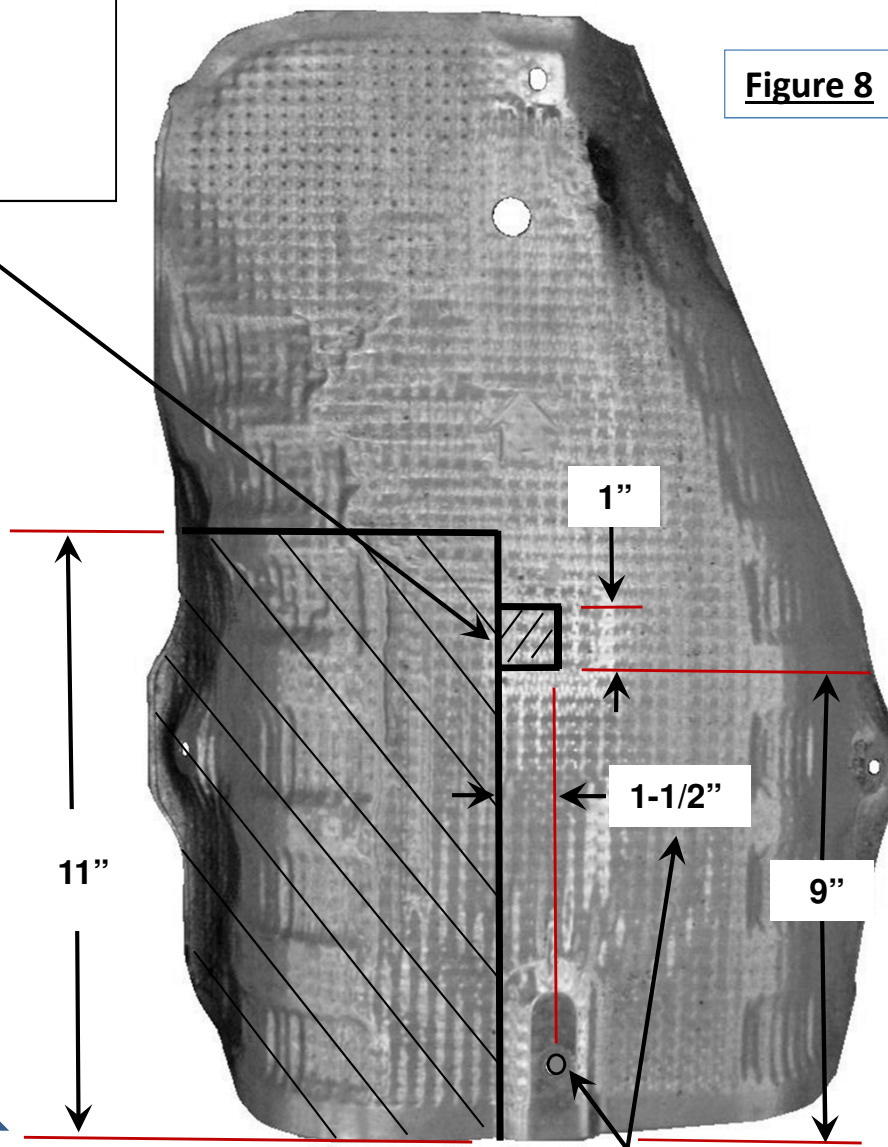
**NOTE:**  
First, cut 1-1/2" wide x 1" tall area to fit around hitch bolt.



Measure 1-1/2"  
from center of hole

Driver's side heat shield

**Figure 8**

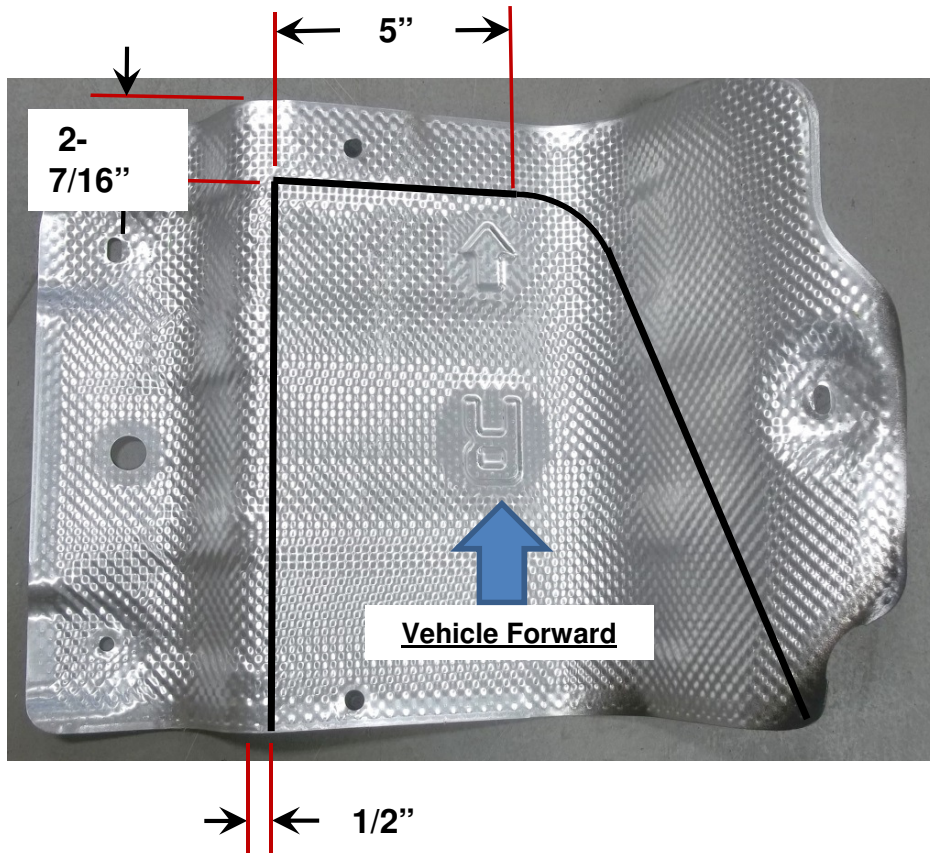


Measure 1-1/2"  
from center of hole

Passenger's side muffler heat shield

# Installation Instructions

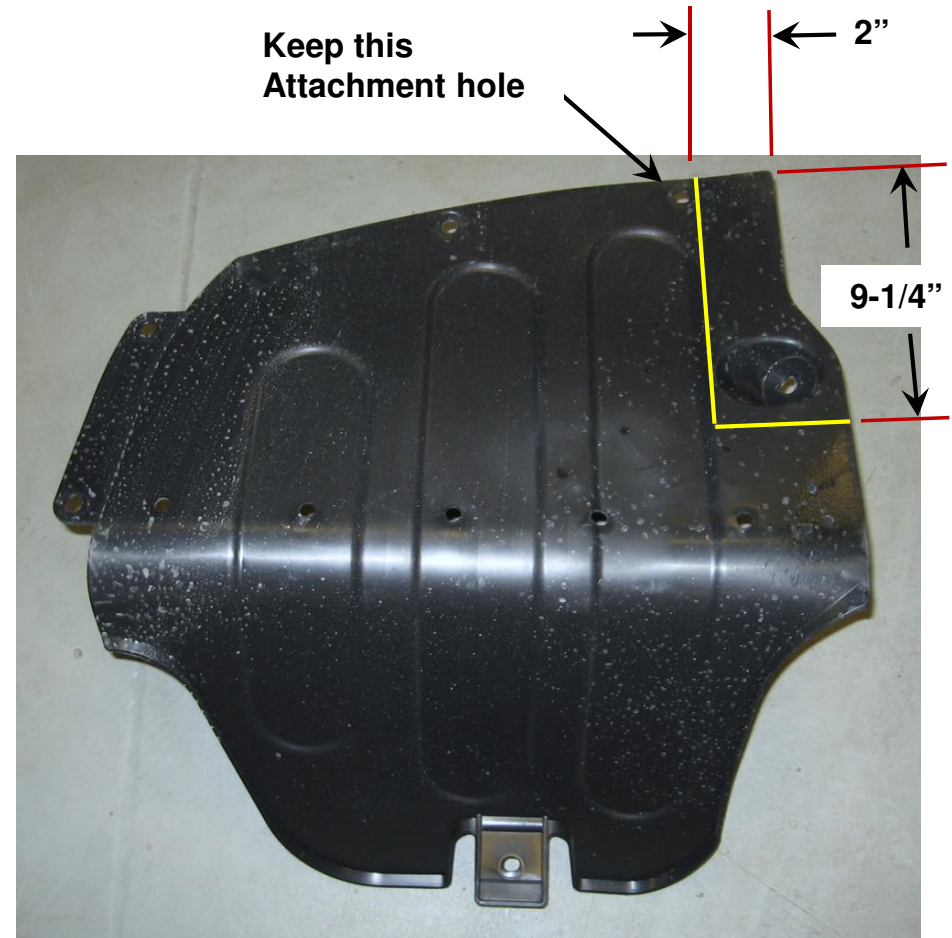
PART NUMBERS: 24965, 77965, CQT24965



Passenger's side muffler heat shield shown  
Driver's side opposite

**Hyundai Sonata**  
muffler heat shields

**Figure 9**



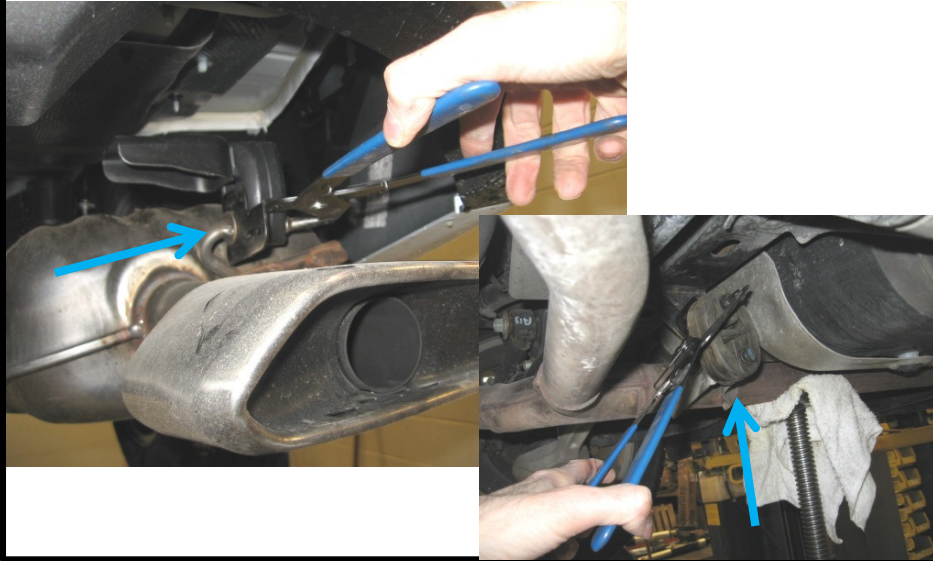
**Plastic appearance panel**  
Optional trim or return to owner

Vehicle Forward



**Figure 10**

- 1. Lower mufflers** – Lower muffler(s) by removing the rearmost rubber hanger(s) and the rubber hanger near rear axle. A spray a lubricant on rubber hangers makes them slide off metal pins more easily. **NOTE:** Be careful that exhaust is supported before removing rubber hangers.



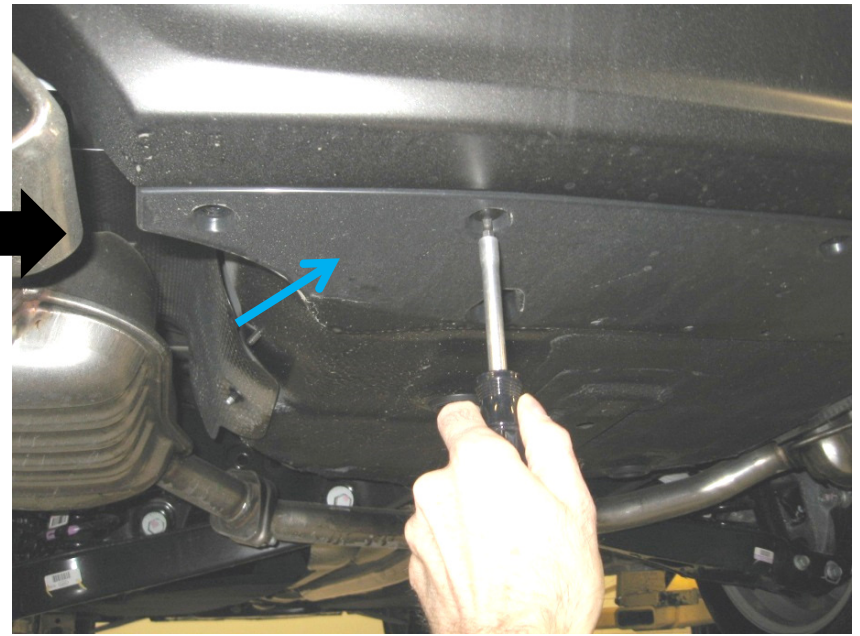
- 2. Remove factory muffler hanger bracket(s)** - Remove (2) hex nuts per hanger bracket to remove. Return bracket(s) and fasteners to vehicle owner.



- 3. Remove drivers side plastic appearance panel (if present)** – Either return to vehicle owner or see figure 10 for optional trimming of panel.



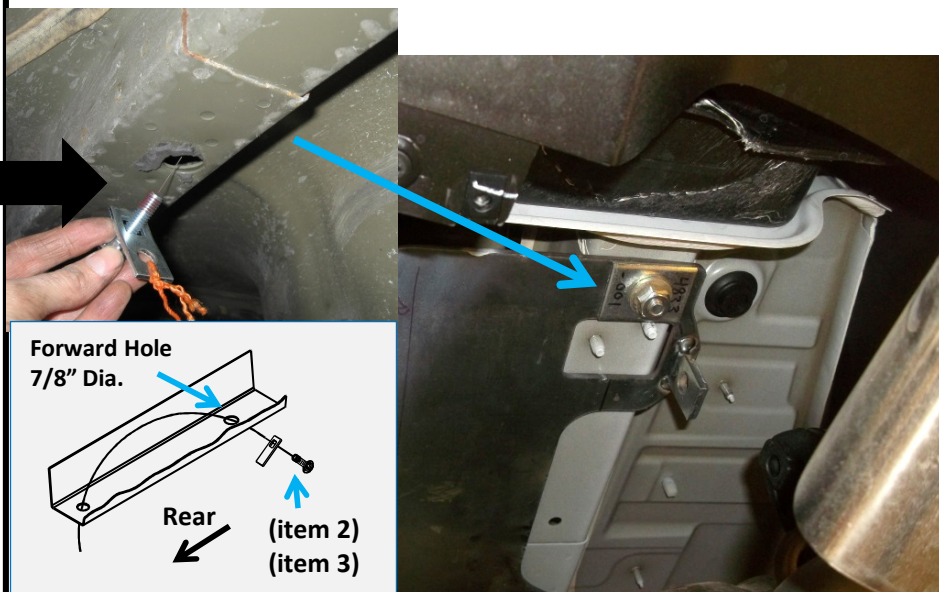
- 4. Remove plastic appearance panel (if present) covering space between bumper fascia and trunk pan** – Remove and return to vehicle owner.



5. **Remove heat shield(s)** – Remove the hex nuts (3 to 5 per heat shield) holding heat shield(s) to bottom of vehicle. **NOTE:** Shield(s) will be trimmed and replaced prior to installing hitch.



6. **Install rear attachment fasteners** - Using 7/16 pull wires provided, fish wire 7/16 x 1.50 long carriage bolts and special washers (**item 3**) through 7/8" diameter holes in bottom of frame, both sides. Pull carriage bolts down through 3/4" diameter holes toward rear of vehicle.



7. **Install forward attachment fasteners** – Using the 7/16 pull wires provided, fish wire 7/16 x 1.25 long carriage bolts and spacer block (**item 4**) up through 7/8" diameter holes and back down through same hole, both sides.



8. **Trim muffler heat shield(s)** - Trim heat shield(s), See figures 7, 8, and 9 for details on how to trim muffler heat shield(s).

9. **Reinstall heat shields** – Reinstall heat shields using same hardware removed.

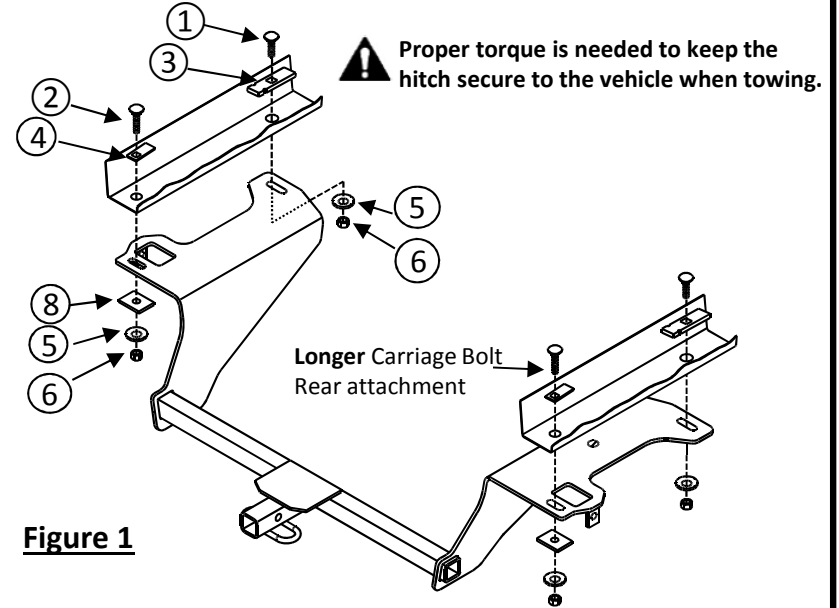


**10. Raise hitch into position** - Install 7/16 conical toothed washers and hex nuts onto forward carriage bolt attachments. Install spacer blocks (item 8), 7/16 conical toothed washers, and 7/16 hex nuts onto rearmost carriage bolt attachments (Fig. 1). Be careful not to push bolts back up into frame. **NOTE:** Insert 7/16" flat washers (item 7) as needed on rear attachments between hitch and frame to take up space for vehicles with raised area for muffler hangers. On dual exhaust vehicles, it may be necessary to push hitch towards the passenger side as far as possible so that hitch bracket is up against vehicle trunk pan. This allows more clearance for exhaust on Driver's side. Torque fasteners to specifications below.



**11. Trim Fascia** – On some models it may be necessary to trim a small notch in the fascia at the rear edge of hitch side bracket.

**12. Tighten all 7/16-14 fasteners with torque wrench to 50 Lb.-Ft. ( 68 N\*M)**



**13. Raise muffler(s) back into position** - Reattach rubber hangers as shown in Fig 4 or Fig 5. Tighten all M8 fasteners to proper torque specifications. **NOTE:** Hardware configuration varies by vehicle.



**14. Reinstall plastic appearance panel** – Using existing hardware, reinstall panel removed in Step 3 if trimming was preferred by vehicle owner.





## Instructions d'installation

### NUMÉROS DE PIÈCES : 24965, 77965, CQT24965



Numériser pour  
des conseils de  
sécurité, ou visitez  
<http://www.cequentgroup.com/qr-product.aspx>

## ! WARNING

**Pour prévenir les blessures SÉVÈRES, FATALES ou les DOMMAGES**

### MATÉRIELS :

- **TOUJOURS lire, assimiler et observer les avertissements et les instructions relatives à l'attelage AVANT d'installer celui-ci. Conserver la documentation pour référence ultérieure.**
- **NE PAS découper, percer, souder ni modifier cet attelage-récepteur.**
- **S'ASSURER régulièrement que toute la visserie est correctement serrée et que l'attelage est monté sur le véhicule en toute sécurité.**
- **TOUJOURS lire, assimiler et observer tous les avertissements et toutes les instructions relatives au véhicule et aux autres accessoires utilisés avec l'attelage AVANT l'utilisation.**
- **PLACER les plus lourdes charges à l'avant de la remorque.**
- **NE PAS excéder les spécifications de charge du fabricant du véhicule, ni la moins élevée des valeurs suivantes :**

Type d'attelage	Poids brut max. de la remorque	Poids max. au timon
Sans répartition de charge	2000 lb. (908 kg)	200 lb. (90.8 kg)
Répartition de charge	X	X

- **TOUJOURS porter la ceinture de sécurité.**
- **RALENTIR lors du remorquage, ne JAMAIS dépasser la limite de vitesse signalée.**
- **En cas de BALANCEMENT EXCESSIF, retirer le pied de la pédale d'accélérateur et maintenir le volant aussi stable que possible. NE PAS appliquer les freins NI accélérer.**

## GARANTIE À VIE LIMITÉE

1. **Garantie à vie limitée (« Garantie »).** Horizon Global (« Nous », « Notre ») garantit à l'acheteur initial seulement (« Vous », « Votre ») que le produit sera exempt de vices de matières et de fabrication, exception faite de l'usure normale. Cette garantie n'est valide que si : (a) les produits Nous sont retournés pour inspection et mise à l'essai; (b) Notre inspection révèle, à Notre satisfaction, que toute non conformité présumée est de nature matérielle et n'a pas été causée par une mauvaise utilisation, la négligence, l'usure, une installation, entreposage ou réparation incorrects, une modification ou un accident; (c) les produits ont été installés, entretenus et utilisés conformément à Nos instructions. **LA GARANTIE SE SUBSTITUE À TOUTE AUTRE GARANTIE, EXPRESSE OU IMPLICITE (AUTRE QUE LA GARANTIE DE TITRE OFFERTE PAR LE CODE COMMERCIAL UNIFORME AU MICHIGAN), Y COMPRIS, MAIS SANS S'Y LIMITER, TOUTES LES GARANTIES RELATIVES À LA QUALITÉ MARCHANDE OU L'ADÉQUATION À UN USAGE PARTICULIER, CELLES-CI ÉTANT EXPRESSÉMENT REJETÉES.**
2. **Obligations de l'acheteur.** Pour effectuer une réclamation, communiquez avec Nous à notre adresse principale du 47912 Halyard Drive, Suite 100, Plymouth, MI 48170, 1-800-632-3290; n'oubliez pas d'identifier le produit d'après le numéro de modèle et de suivre les directives qui vous seront fournies. Tout produit retourné qui est remplacé par Nous devient notre propriété. Vous serez tenu d'assumer les frais d'expédition de retour. Veuillez conserver votre reçu d'achat afin que nous puissions en vérifier la date et confirmer que Vous êtes l'acheteur initial. Le produit et le reçu d'achat doivent Nous être fournis afin que nous puissions traiter Votre réclamation.
3. **Recours exclusifs.** Le remplacement du produit est Votre seul recours en vertu de cette Garantie. Nous ne sommes pas responsables des frais de service ou de main-d'œuvre encourus pour le retrait ou la réinstallation d'un produit. **SOUS AUCUNE CIRCONSTANCE NOUS NE SERONS TENUS RESPONSABLES DES DOMMAGES INDIRECTS, PARTICULIERS, CONSÉCUTIFS OU PUNITIFS.**
4. **Acceptation des risques.** Vous reconnaissez et acceptez que toute utilisation du produit à des fins autres que celle(s) stipulée(s) dans les instructions relatives au produit est faite à vos propres risques.
5. **Loi applicable.** Cette Garantie Vous confère des droits légaux spécifiques, et il se peut que Vous possédiez d'autres droits qui peuvent varier d'une province à l'autre. Cette Garantie est régie par les lois de l'État du Michigan, abstraction faite des règles relatives aux conflits de lois. Les cours de l'État situés dans le comté d'Oakland, Michigan, constituent les autorités judiciaires exclusives relativement à tout litige relevant de cette Garantie.

Rev 8/2015

## Instructions d'installation

### NUMÉROS DE PIÈCES : 24965, 77965, CQT24965



### Applications :

Années	Marque	Modèles
--------	--------	---------

2011 -Actuel*	Kia	Optima
---------------	-----	--------

2011 -Actuel*	Hyundai	Sonata
---------------	---------	--------

\*Visitez notre site Web pour obtenir de l'information à jour concernant une année et une version particulières.

### Durée de l'installation : 40 min

La valeur indiquée ci-dessus est la durée moyenne des installateurs professionnels. Si vous ressentez de l'inconfort à réaliser cette installation par vous-même ou si vous avez besoin d'assistance, veuillez communiquer avec un installateur professionnel.

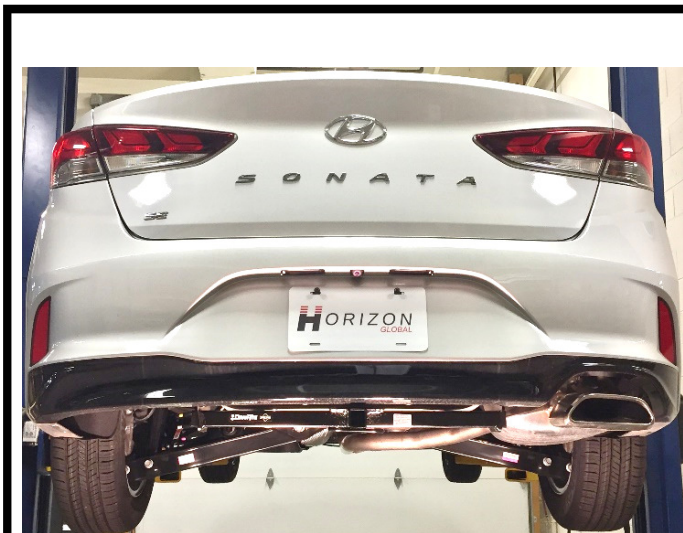


Photo représentative du véhicule

### Équipement requis :

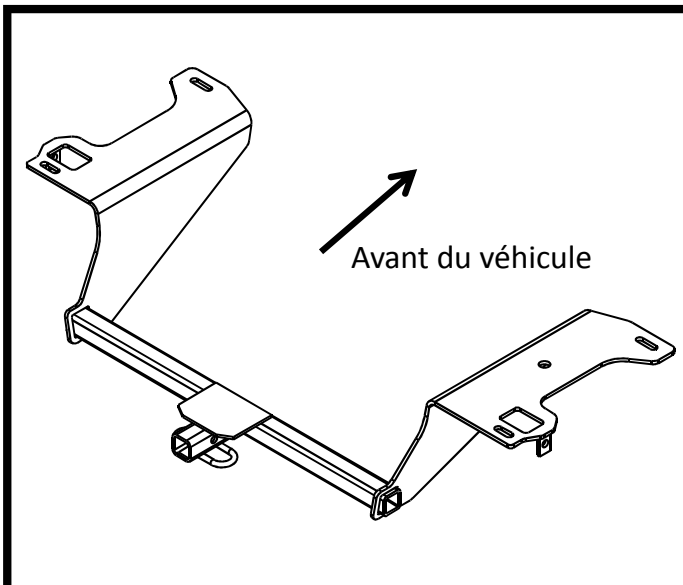


Illustration de l'attelage

**NE PAS EXCÉDER LES SPÉCIFICATIONS DE CHARGE DU FABRICANT DU VÉHICULE, NI LA MOINS ÉLEVÉE DES VALEURS SUIVANTES :**

Type d'attelage	Poids brut max. de la remorque	Poids max. au timon
Sans répartition de charge	2000 lb. (908 kg)	200 lb. (90.8 kg)
Répartition de charge	X	X

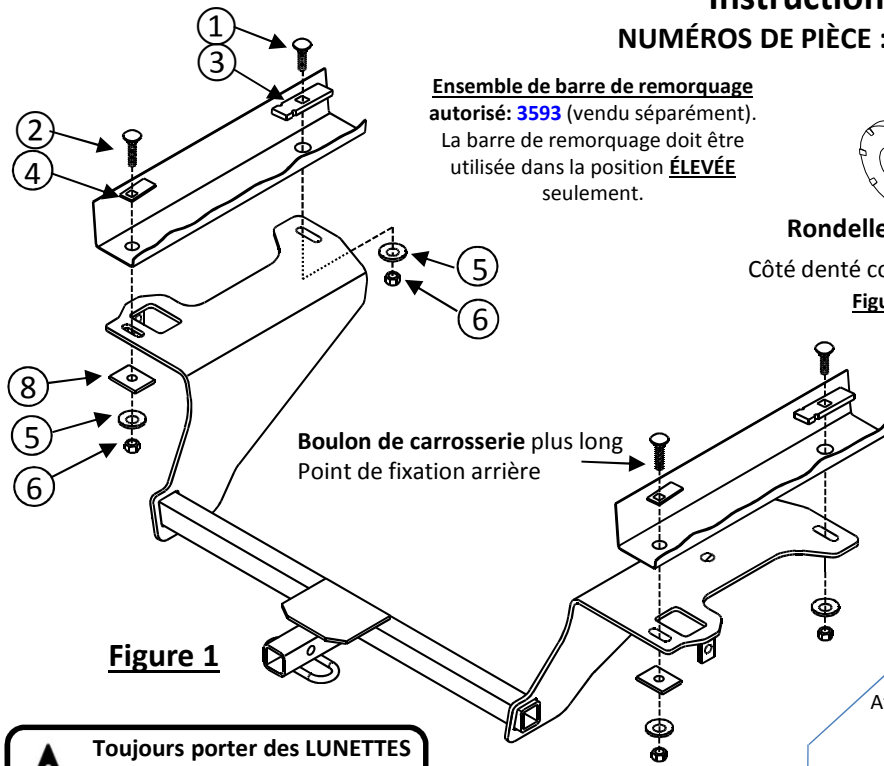
# Instructions d'installation

## NUMÉROS DE PIÈCE : 24965, 77965, CQT24965

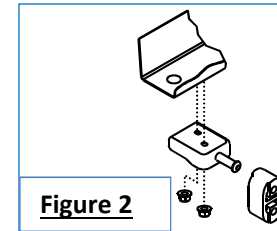
Visserie: 24965F

**Ensemble de barre de remorquage autorisé: 3593** (vendu séparément). La barre de remorquage doit être utilisée dans la position **ÉLEVÉE** seulement.

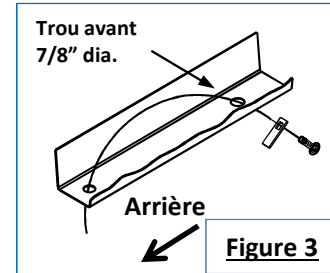
**Rondelle conique**  
Côté denté contre l'attelage  
**Figure 3**



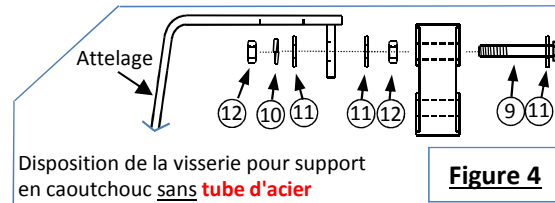
**Figure 1**



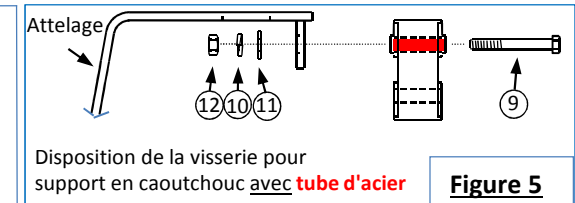
**Figure 2**



**Figure 3**



**Figure 4**



**Figure 5**

**Toujours porter des LUNETTES DE PROTECTION** lors de l'installation de l'attelage.

①	Qté (2)	Boulon de carrosserie 7/16-14 x 1.25 Gr5	
②	Qté (2)	Boulon de carrosserie 7/16-14 x 1.50 Gr5	
③	Qté (2)	Rondelle spéciale .109" x .88 x 2.0 Numéro 1204	
④	Qté (2)	Bloc espaceur ¼ x 7/8 x 3.00 Numéro HE-2370-000	
⑤	Qté (4)	Rondelle conique 7/16	
⑥	Qté (4)	Écrou hexagonal 7/16-14 Gr2	
⑦	Qté (4)	Rondelle plate 7/16 (Espaceur)	
⑧	Qté (2)	Bloc espaceur 3/16 x 1.50 x 2.00 Numéro 04833001	
⑨	Qté (2)	Boulon M8 X 1.25 X 65 CL10.9	
⑩	Qté (2)	Rondelle frein 5/16"	
⑪	Qté (6)	Rondelle plate 5/16	
⑫	Qté (4)	Écrou hexagonal M8 X 1.25 CL10	
⑬	Qté (4)	Fil de tirage 7/16	

- 1. Abaisser les silencieux** – Abaisser le(s) silencieux en enlevant le(s) support(s) en caoutchouc les plus à l'arrière et le support en caoutchouc près de l'essieu arrière. La vaporisation d'un lubrifiant sur les supports en caoutchouc facilite leur extraction des tiges métalliques. **NOTA** : Veiller à supporter l'échappement avant d'enlever les supports en caoutchouc. (**Figure 2**)
  - 2. Enlever les ferrures des support(s) en caoutchouc** – Retirer deux (2) écrous hexagonaux par ferrure. Remettre la ferrure(s) et la visserie au propriétaire du véhicule. (**Figure 2**)
  - 3. Enlever le panneau décoratif en plastique côté conducteur (s'il y a lieu)** – Le remettre au propriétaire ou voir Figure 10 pour le découpage facultatif du panneau.
  - 4. Enlever le panneau décoratif en plastique (s'il y a lieu) qui recouvre l'espace entre le carénage de pare-chocs et la tôle du coffre** – Enlever et retourner au propriétaire.
  - 5. Enlever le(s) écran(s) thermique(s)** – Retirer les écrous hexagonaux (3 à 5 par écran) qui fixent les écrans dans le bas du véhicule. Voir la page suivante pour le découpage. **NOTA** : Les écrans seront découpés et replacés avant l'installation de l'attelage.
  - 6. Poser la visserie arrière** – À l'aide des fils de tirage 7/16 fournis, acheminer les boulons de carrosserie longs 7/16 x 1.50 po et les rondelles spéciales (art. 3) par les trous 7/8 po dans le bas du cadre, des deux côté. Tirer les boulons de carrosserie vers le bas par les trous 3/4 po vers l'arrière du véhicule. (Figure 3)
  - 7. Acheminer la visserie avant** – À l'aide des fils de tirage 7/16 fournis, acheminer les boulons de carrosserie longs 7/16 x 1.25 po et les blocs d'esplacement (art. 4) vers le haut par les trous 7/8 po, puis les redescendre par le même trou, des deux côtés.
  - 8. Découper le(s) écrans thermiques du silencieux** – Découper le(s) écrans, **voir les Figures 7, 8 et 9 pour la façon de les découper.**
  - 9. Réinstaller les écrans thermiques** – Réinstaller avec la même visserie qui a été retirée.
  - 10. Soulever l'attelage en position** – Poser les rondelles coniques dentées 7/16 et les écrous hexagonaux sur les boulons de carrosserie avant. Poser les blocs espaceurs (art. 8), les rondelles coniques dentées 7/16 et les écrous hexagonaux 7/16 sur les boulons de carrosserie les plus à l'arrière (Fig. 1). Veiller à ne pas repousser les boulons dans le cadre. **NOTA** : Enfiler les rondelles plates 7/16 po (art. 7) au besoin sur la visserie arrière entre l'attelage et le cadre pour remplir l'espace dans le cas des modèles dotés d'une zone surélevée pour les supports de silencieux. Sur les modèles équipés d'un échappement double, il peut être nécessaire de pousser l'attelage vers le côté passager aussi loin que possible de façon que le support d'attelage s'appuie vers le haut contre la tôle du coffre. Cela procure un dégagement supplémentaire pour l'échappement côté conducteur. Serrer la visserie selon les spécifications de couple ci-dessous.
  - 11. Trim fascia** - Sur certains modèles, il peut être nécessaire de recadrer une petite encoche dans le cadre et sur le bord arrière du crochet latéral.
  - 12. Serrer toute la visserie 7/16-14 au couple de 50 lb-pi (68 N.m).** **▲ Un couple de serrage adéquat est essentiel pour bien fixer l'attelage au véhicule lors du remorquage.**
  - 13. Soulever le(s) silencieux en position** - Refixer les supports en caoutchouc selon Fig. 4 ou Fig. 5. Serrer toute la visserie M8 selon les spécifications de couple requises. **NOTA** : La configuration de la visserie varie selon le véhicule.
  - 14. Réinstaller le panneau décoratif en plastique** – À l'aide de la visserie existante, réinstaller le panneau enlevé à l'étape 3 si le découpage a été préféré par le propriétaire.
- Nota** : Vérifier l'attelage fréquemment, en s'assurant que toutes les fixations et la boule sont serrées adéquatement. Si l'attelage est enlevé, boucher tous les trous percés dans le coffre ou la carrosserie afin de prévenir l'infiltration d'eau ou de gaz d'échappement. Un attelage ou une boule endommagés doivent être enlevés et remplacés. Observer les mesures de sécurité appropriées en travaillant sous le véhicule et porter des lunettes de protection. Ne jamais utiliser une torche pour découper un accès ou un trou de fixation. Ce produit est conforme aux normes V-5 et SAE J684 de la V.E.S.C. (État de New York) concernant les spécifications en matière de sécurité des systèmes d'attelage.

# Instructions d'installation

NUMÉROS DE PIÈCE : 24965, 77965,  
CQT24965

Kia Optima

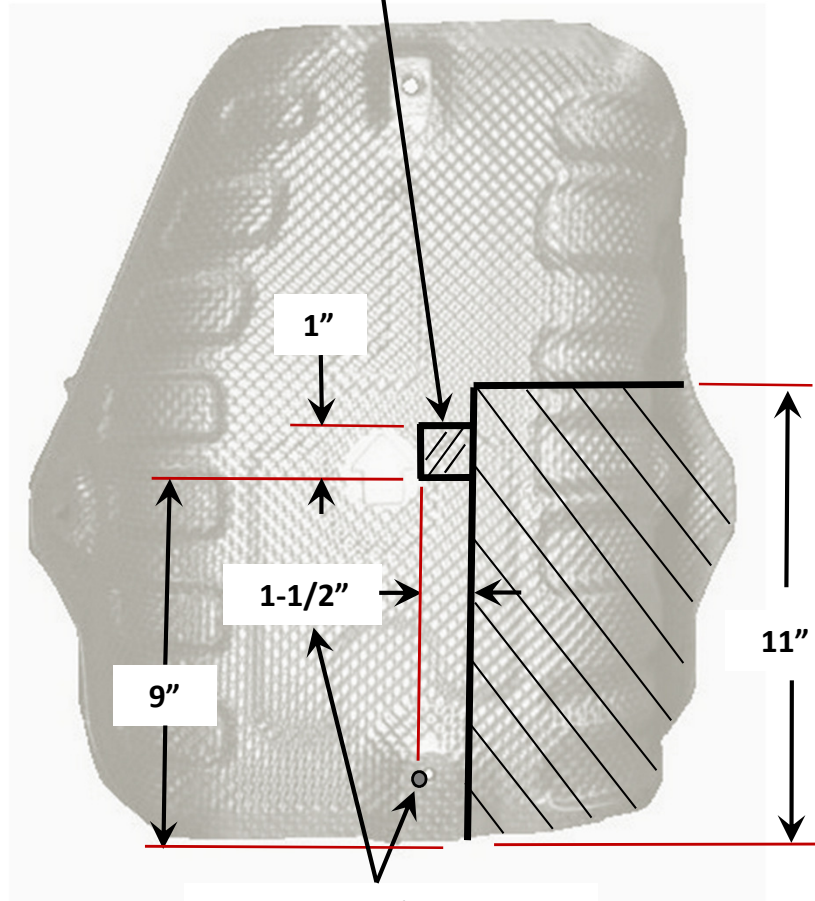
Écrans thermiques des silencieux.

**Figure 7**

**NOTA :**

En premier, découper une zone de 1 1/2 po de large par 1 po de haut pour dégager le boulon d'attelage.

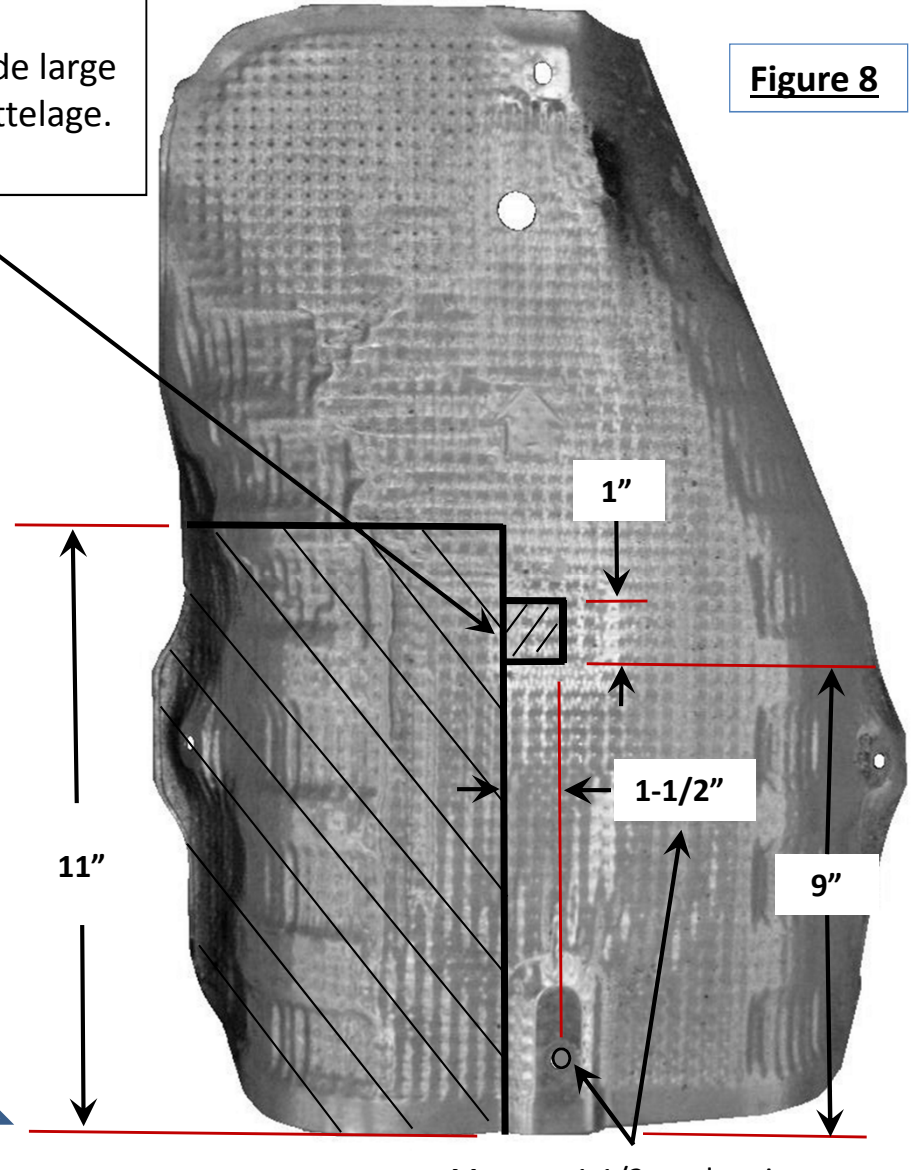
**Figure 8**



Mesurer 1 1/2 po depuis  
de centre du trou.



Avant du véhicule



Mesurer 1 1/2 po depuis  
de centre du trou.

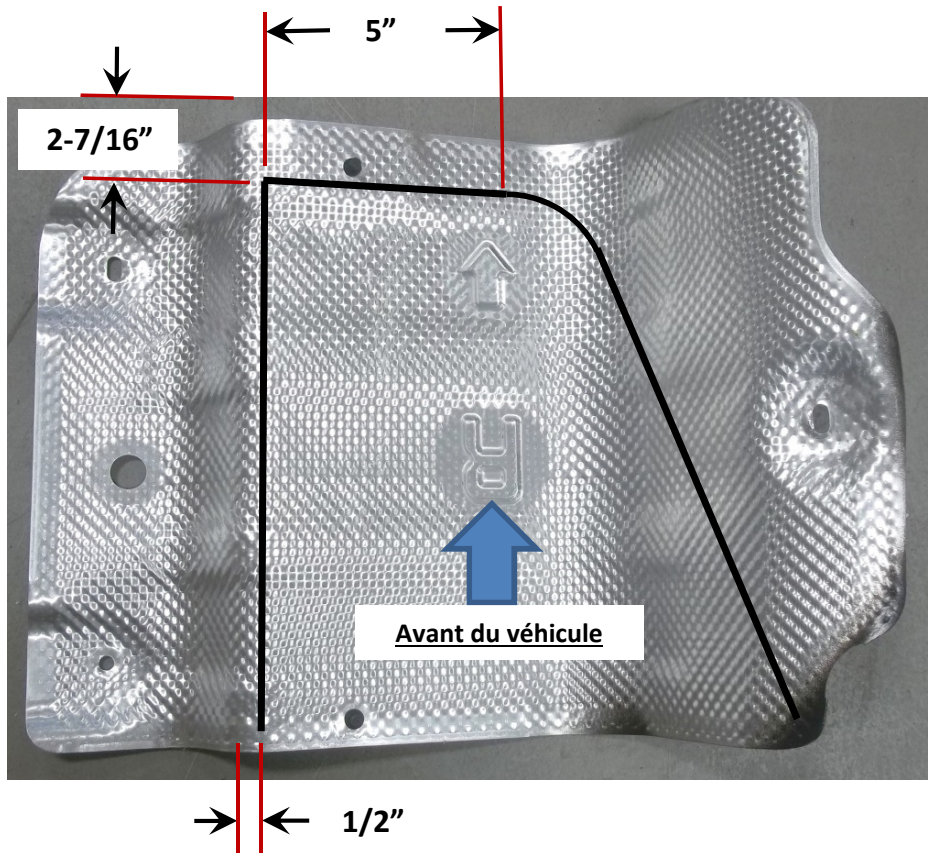
Écran thermique côté conducteur

Écran thermique du silencieux côté passager

# Instructions d'installation

NUMÉROS DE PIÈCE : 24965, 77965,

CQT24965



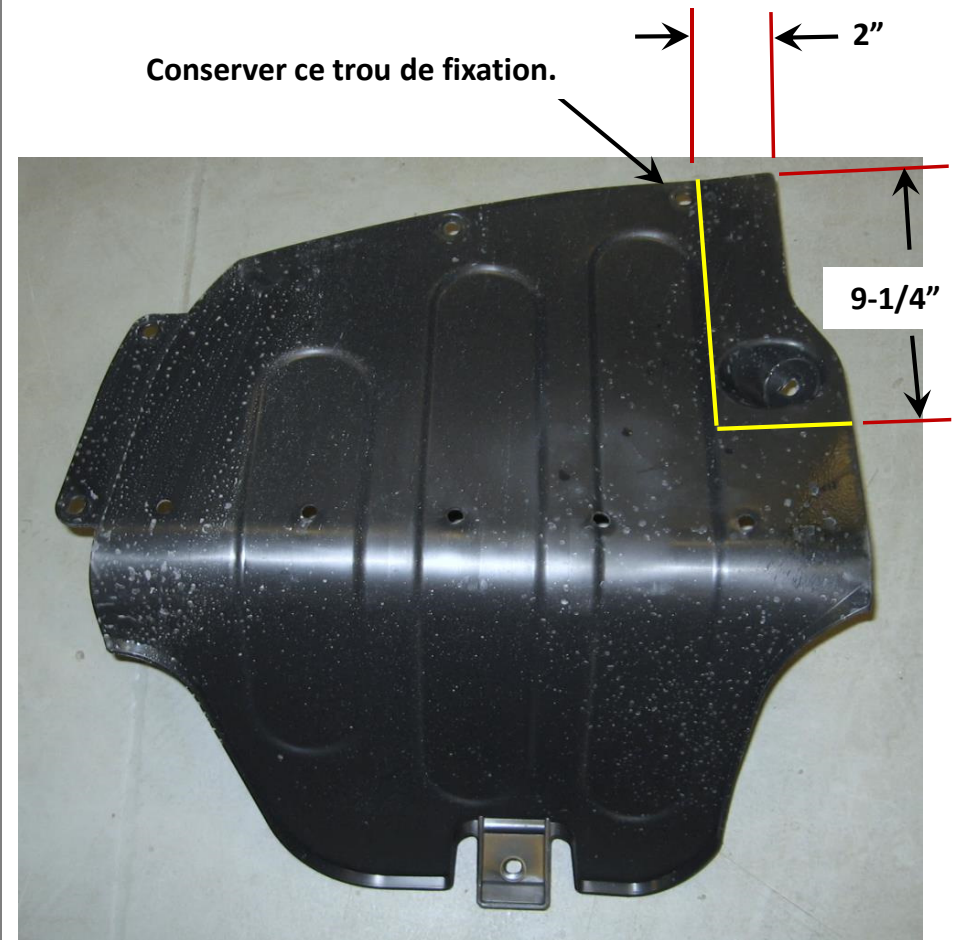
Écran thermique du silencieux côté passager illustré  
Disposition opposée du côté conducteur

**Hyundai Sonata**

Écrans thermiques des silencieux.

**Figure 9**

Conserver ce trou de fixation.



**Panneau décoratif en plastique.**

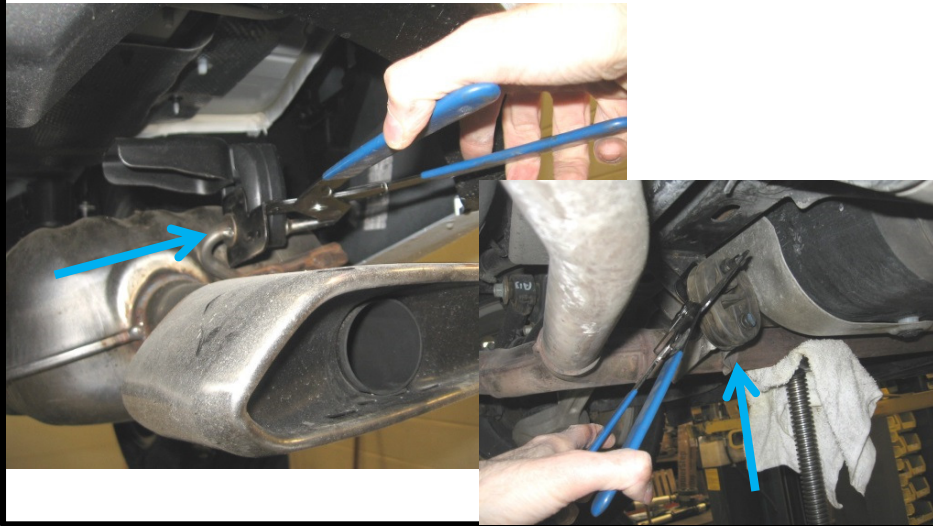
Découpage facultatif ou remettre au propriétaire.

Avant du véhicule



**Figure 10**

**1. Abaisser les silencieux –** Abaisser le(s) silencieux en enlevant le(s) support(s) en caoutchouc les plus à l'arrière et le support en caoutchouc près de l'essieu arrière. La vaporisation d'un lubrifiant sur les supports en caoutchouc facilite leur extraction des tiges métalliques. **NOTA :** Veiller à supporter l'échappement avant d'enlever les supports en caoutchouc. (Figure 2)



**2. Enlever les ferrures des support(s) en caoutchouc -** Retirer deux (2) écrous hexagonaux par ferrure. Remettre les ferrure(s) et la visserie au propriétaire du véhicule. (Figure 2)



**3. Enlever le panneau décoratif en plastique côté conducteur (s'il y a lieu) –** Le remettre au propriétaire ou voir Figure 10 pour le découpage facultatif du panneau.



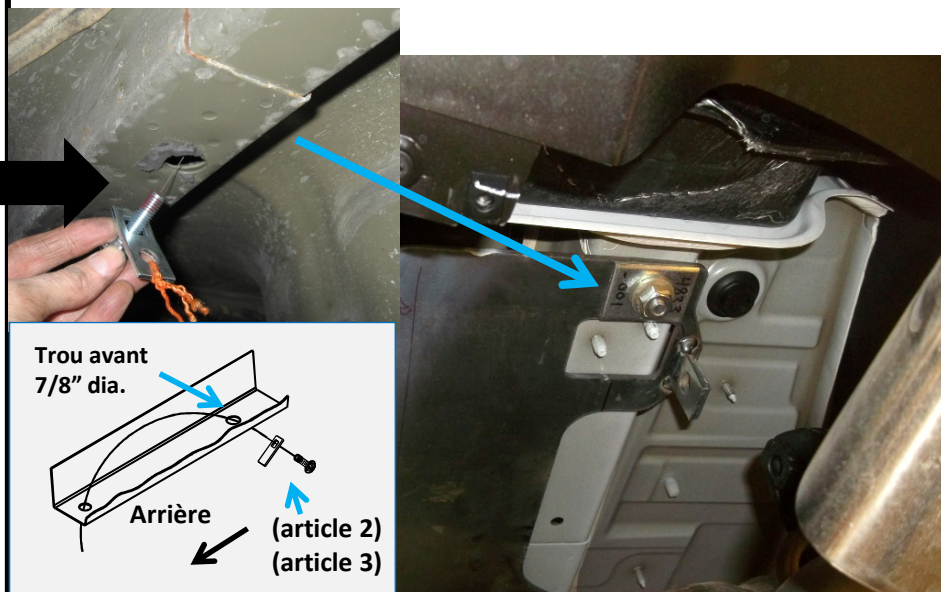
**4. Enlever le panneau décoratif en plastique (s'il y a lieu) qui recouvre l'espace entre le carénage de pare-chocs et la tôle du coffre –** Enlever et retourner au propriétaire.



**5. Enlever le(s) écran(s) thermique(s)** – Retirer les écrous hexagonaux (3 à 5 par écran) qui fixent les écrans dans le bas du véhicule. **NOTA** : Les écrans seront découpés et remplacés avant l'installation de l'attelage.



**6. Poser la visserie arrière** - À l'aide des fils de tirage 7/16 fournis, acheminer les boulons de carrosserie longs 7/16 x 1.50 po et les rondelles spéciales (article 3) par les trous 7/8 po dans le bas du cadre, des deux côté. Tirer les boulons de carrosserie vers le bas par les trous 3/4 po vers l'arrière du véhicule.



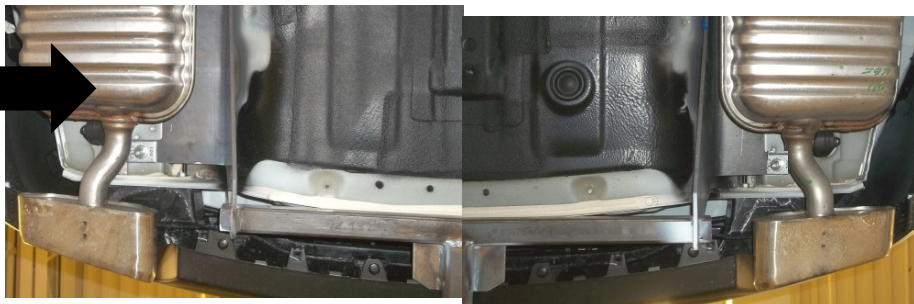
**7. Acheminer la visserie avant** – À l'aide des fils de tirage 7/16 fournis, acheminer les boulons de carrosserie longs 7/16 x 1.25 po et les bloc d'espacement (article 4) vers le haut par les trous 7/8 po, puis les redescendre par le même trou, des deux côtés.



**8. Découper le(s) écrans thermiques du silencieux** - Découper le(s) écrans, voir les Figures 7, 8 et 9 pour la façon de les découper.  
**9. Réinstaller les écrans thermiques** – Réinstaller avec la même visserie qui a été retirée.

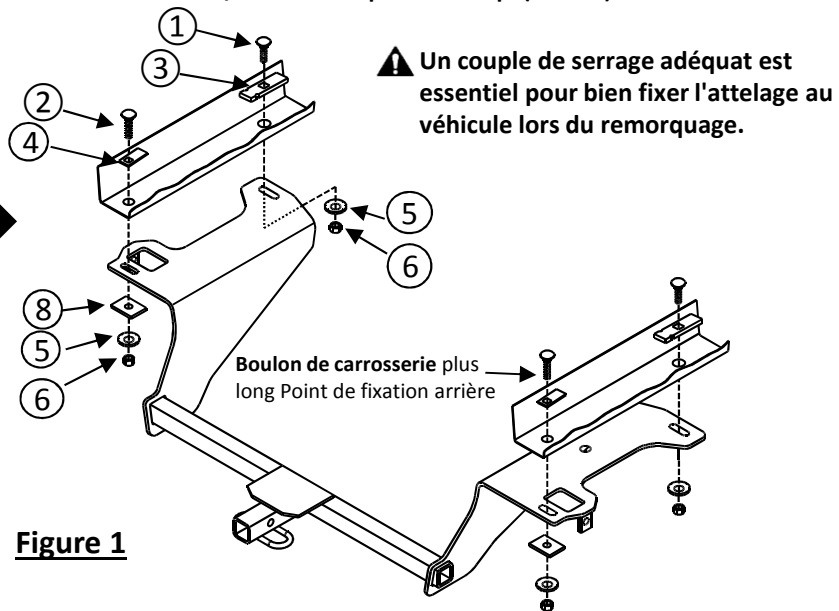


**10. Soulever l'attelage en position** - Poser les rondelles coniques dentées 7/16 et les écrous hexagonaux sur les boulons de carrosserie avant . Poser les blocs espaceurs (**article 8**), les rondelles coniques dentées 7/16 et les écrous hexagonaux 7/16 sur les boulons de carrosserie les plus à l'arrière (Fig. 1). Veiller à ne pas repousser les boulons dans le cadre. **NOTA** : Enfiler les rondelles plates 7/16 po (**article 7**) au besoin sur la visserie arrière entre l'attelage et le cadre pour remplir l'espace dans le cas des modèles dotés d'une zone surélevée pour les supports de silencieux. Sur les modèles équipés d'un échappement double, il peut être nécessaire de pousser l'attelage vers le côté passager aussi loin que possible de façon que le support d'attelage s'appuie vers le haut contre la tôle du coffre. Cela procure un dégagement supplémentaire pour l'échappement côté conducteur. Serrer la visserie selon les spécifications de couple ci-dessous.



**11. Trim Fascia - Trim fascia** - Sur certains modèles, il peut être nécessaire de recadrer une petite encoche dans le cadre et sur le bord arrière du crochet latéral.

**12. Serrer toute la visserie 7/16-14 au couple de 50 lb-pi (68 N.m).**



**13. Soulever le(s) silencieux en position** - Refixer les supports en caoutchouc selon Fig. 4 ou Fig. 5. Serrer toute la visserie M8 selon les spécifications de couple requises. **NOTA** : La configuration de la visserie varie selon le véhicule.



**14. Réinstaller le panneau décoratif en plastique** - À l'aide de la visserie existante, réinstaller le panneau enlevé à l'étape 3 si le découpage a été préféré par le propriétaire.





# Instrucciones de instalación

## NÚMEROS DE PARTES: 24965, 77965, CQT24965



Escanee para sugerencias de remolque seguro, o visite <http://www.cequentgroup.com/gr-product.aspx>

### ! WARNING

Para evitar DAÑOS DE GRAVEDAD, A LA PROPIEDAD O LA MUERTE:

- SIEMPRE lea, entienda y siga las advertencias e instrucciones para su enganche ANTES de la instalación. Consérvelo para referencia futura.
- NO corte, suelde ni modifique este receptor.
- VERIFIQUE periódicamente que todos los fijadores estén apretados y que el enganche esté firmemente montado en su vehículo.
- SIEMPRE lea, entienda y siga todas las advertencias e instrucciones para su vehículo y para otros accesorios que va a utilizar con el enganche ANTES de usar.
- CARGUE el remolque más pesado por el frente.
- NO supere el valor inferior entre la calificación del fabricante del vehículo de remolque, o:

Tipo de enganche	Peso bruto máximo del remolque	Peso máximo de la horquilla
Carga de peso	2000 lb. (908 kg)	200 lb. (90.8 kg)
Distribución de peso	X	X

- Use SIEMPRE el cinturón de seguridad.
- REDUZCA LA VELOCIDAD al remolcar, NUNCA exceda ningún límite de velocidad.
- Si se produce DEMASIADA OSCILACIÓN, quite el pie del acelerador y sujete el volante lo más firme posible. NO aplique los frenos y NO aumente la velocidad.

### GARANTÍA LIMITADA DE POR VIDA

1. **Garantía limitada de por vida ("Garantía")** Horizon Global ("nosotros", "nos" o "nuestro/a/s") garantiza al comprador original únicamente ("usted" o "su/s") que el producto estará libre de defectos significativos tanto en materiales como en mano de obra, con la excepción del desgaste normal. La garantía sólo es válida si (a) los productos se nos devuelven para inspección y pruebas; (b) Nuestra inspección revela a nuestra satisfacción que cualquier supuesta no conformidad es meritoria y no ha sido causada por el mal uso, negligencia, desgaste, instalación incorrecta, almacenamiento inadecuado, reparación inadecuada, alteración, o accidente; y (c) los productos fueron instalados, mantenidos y utilizados de acuerdo con nuestras instrucciones. LA GARANTÍA REEMPLAZA CUALQUIER OTRA GARANTÍA, EXPRESA O IMPLÍCITA (EXCEPTO LA GARANTÍA DE TÍTULO SEGÚN LO ESTABLECE EL CODIGO COMERCIAL UNIFORME VIGENTE EN MICHIGAN), INCLUYENDO SIN LIMITACIÓN, LAS GARANTÍAS DE COMERCIALIZACIÓN O IDONEIDAD PARA UN PROPÓSITO PARTICULAR, TALES GARANTÍAS QUEDAN EXPRESAMENTE ANULADAS.
2. **Obligaciones del comprador.** Para hacer una reclamación de garantía, contáctenos en nuestra dirección principal en 47912 Halyard Dr. Suite 100, Plymouth, MI 48170, 1-800-632-3290, identifique el producto por número de modelo y siga las instrucciones que se le darán para la reclamación. Cualquier producto devuelto que se reemplace o se reembolse se convierte en propiedad nuestra. Usted podría ser responsable por los costos de envío del producto. Conserve el recibo de compra para verificar la fecha de compra y que usted es el comprador original. Nos debe entregar el producto y el recibo de compra para procesar su reclamo de garantía.
3. **Recurso exclusivo.** El reemplazo del producto es su único y exclusivo recurso bajo esta Garantía. No seremos responsables por el servicio o cargos de mano de obra en los que se incurra al quitar o reemplazar un producto. EN NINGÚN CASO SEREMOS RESPONSABLES DE LOS DAÑOS INDIRECTOS, ESPECIALES, CONSECUENCIALES O PUNITIVOS.
4. **Riesgo asumido.** Usted reconoce y acepta que cualquier uso del producto para cualquier propósito diferente al uso(s) especificado(s) en las instrucciones del producto es a su propio riesgo.
5. **Ley gobernante.** Esta garantía le otorga derechos legales. Usted también podría tener otros derechos que varían de estado a estado. Esta garantía está regida por las leyes del estado de Michigan, sin importar las normas relativas a conflictos de ley. Las cortes estatales ubicadas en el condado de Oakland, Michigan tendrán la jurisdicción exclusiva para cualquier disputa que surja con respecto a esta garantía.

Rev 8/2015



Escanear para instrucciones de la instalación paso por paso con FOTO, o visitar <http://www.cequentgroup.com/gr-product.aspx>

### Aplicaciones:

Años	Marca	Modelos
------	-------	---------

2011 -Actual*	Kia	Optima
---------------	-----	--------

2011 -Actual*	Hyundai	Sonata
---------------	---------	--------

\*Visite nuestro sitio web para la información más actualizada respecto a los años de aplicación y los niveles de recorte.

### Tiempo de instalación: 40 min

El tiempo indicado anteriormente es el tiempo promedio para instaladores profesionales. Si usted no se siente cómodo para realizar esta instalación por su cuenta o necesita asistencia, sírvase ponerse en contacto con un instalador profesional.

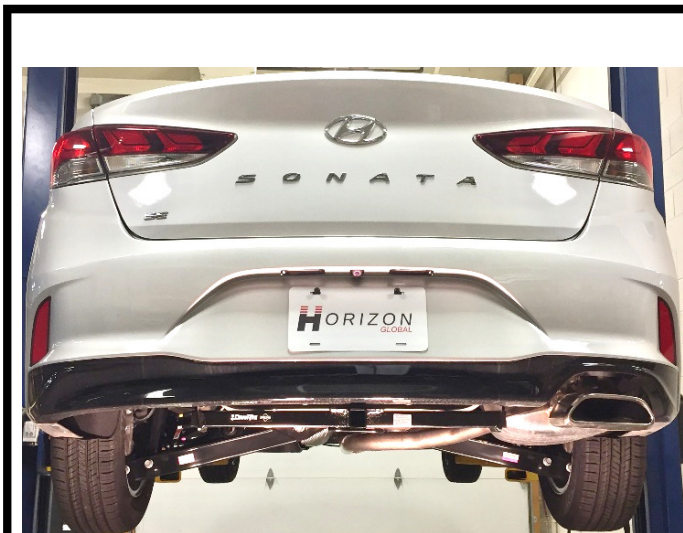


Foto que representa al vehículo

### Equipo necesario:



### NO SUPERE LA CALIFICACIÓN INFERIOR DEL DEL FABRICANTE DEL VEHÍCULO DE REMOLQUE O:

Tipo de enganche	Peso bruto máximo del remolque	Peso máximo de la horquilla
Carga de peso	2000 lb. (908 kg)	200 lb. (90.8 kg)
Distribución de peso	X	X

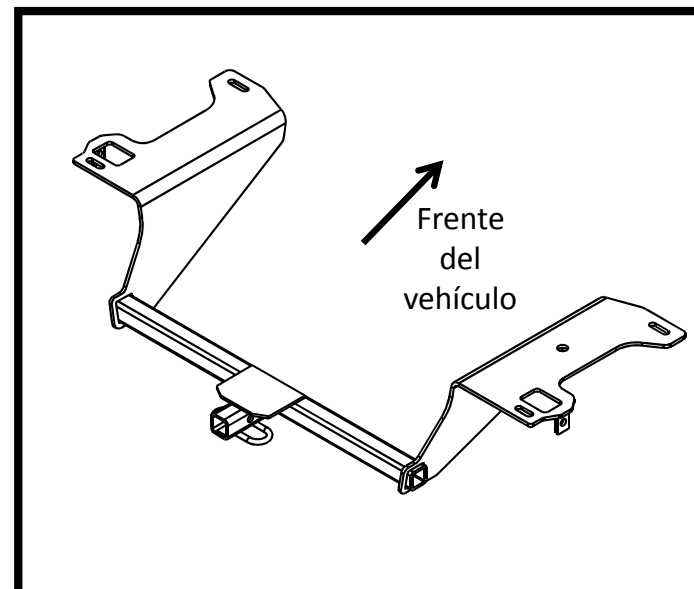
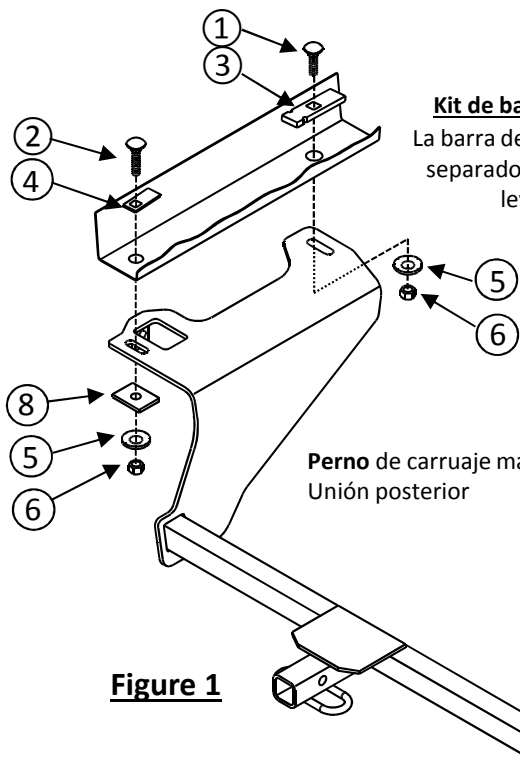


Ilustración del enganche

# Instrucciones de instalación

NÚMEROS DE PARTE: 24965, 77965, CQT24965

Kit de fijadores: 24965F



**Kit de barra de tracción autorizada:**  
La barra de tracción **3593** (se vende por separado) se debe usar en la posición levantada únicamente.

**Arandela cónica**  
Costado de dientes contra el enganche

Figura 3

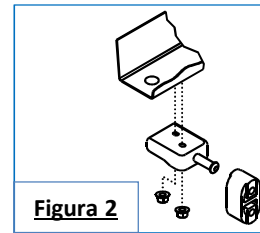


Figura 2

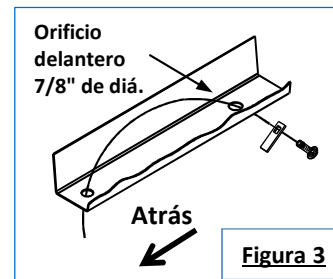


Figura 3

Perno de carruaje más largo  
Unión posterior

Figure 1

**Siempre usar GAFAS DE SEGURIDAD al instalar el enganche**

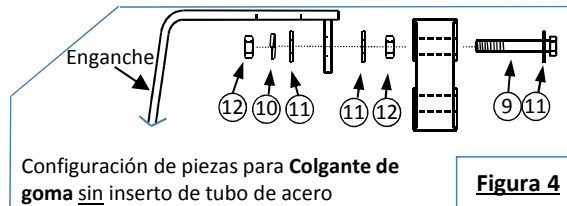


Figura 4

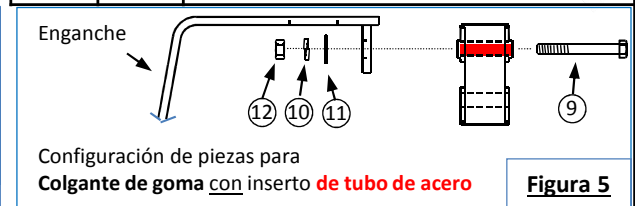


Figura 5

Número	Cant.	Descripción	Imagen
①	(2)	Perno de carruaje, 7/16-14 x 1.25 Gr5	
②	(2)	Perno de carruaje, 7/16-14 x 1.50 Gr5	
③	(2)	Arandela especial, .109" x .88 x 2.0 Número de pieza 1204	
④	(2)	Bloque espaciador, 3/16 x 1.50 x 2.00 Número de pieza HE-2370-000	
⑤	(4)	Arandela cónica, 7/16 Número de pieza	
⑥	(4)	Tuerca hexagonal, 7-16-14 Gr2	
⑦	(4)	Arandela plana, 7/16 (espaciador)	
⑧	(2)	Bloque espaciador, 3/16 x 1.50 x 2.00 Número de pieza 04833001	
⑨	(2)	Perno, M8 X 1.25 X 65 CL10.9	
⑩	(2)	Arandela de seguridad, 5/16	
⑪	(6)	Arandela plana, 5/16	
⑫	(4)	Tuerca hexagonal, M8 x 1.25 CL10	
⑬	(4)	Alambre de insertar, 7/16	

- Bajar silenciadores:** Bajar el(los) silenciador(es) al quitar el(los) colgante(s) de goma más posterior(es) y el colgante de goma cerca del eje trasero. Rociar un lubricante en los colgantes de goma permite deslizar los pasadores de metal más fácilmente. **NOTA:** Tener cuidado de que el escape esté apoyado antes de eliminar los colgantes de goma. (Figura 2)
- Quitar el(los) soporte(s) de fábrica del colgante del silenciador:** Retirar (2) tuercas hexagonales por soporte colgante para quitar. Devolver los soportes y fijadores al propietario del vehículo. (Figura 2)
- Quitar el panel de apariencia plástico del lado del conductor (si está presente):** Devolver al propietario del vehículo o consultar la figura 10 para recorte opcional del panel.
- Retirar el panel de apariencia plástico (si está presente) que cubre el espacio entre la fascia del parachoques y el recolector del baúl:** Extraer y devolver al propietario del vehículo.
- Retirar el(los) protector(es) térmico(s):** Retirar las tuercas hexagonales (3 a 5 por protector térmico) que sujetan el(los) protector(es) térmico(s) a la parte inferior del vehículo. Ver la página siguiente para el recorte del protector térmico. **NOTA:** El(los) protector(es) se recortarán y se reemplazarán antes de instalar el enganche.
- Instalar los fijadores de unión posteriores:** Usando los alambres de halar de 7/16 que se suministran, insertar los pernos de carruaje de 7/16 x 1.50 de largo y las arandelas especiales (pieza 3) a través de los orificios de 7/8" de diámetro en la parte inferior del bastidor, en ambos lados. Halar los pernos de carruaje hacia abajo a través de los orificios de 3/4" de diámetro hacia la parte trasera del vehículo. (Figura 3)
- Instalar los fijadores de unión delanteros:** Usando los alambres de insertar de 7/16 que se suministran, insertar los pernos de carruaje de 7/16 x 1.25 de largo y las arandelas especiales (pieza 4) a través de los orificios de 7/8" de diámetro y de regreso a través del mismo orificio, en ambos lados.
- Recortar el(los) protector(es) térmico(s):** Recortar el(los) protector(es) térmico(s), **ver las figuras 7, 8 y 9 para detalles de cómo recortar el(los) protector(es) térmico(s) del silenciador.**
- Volver a instalar los protectores térmicos:** Volver a instalar los protectores térmicos usando las mismas herramientas.
- Levantar el enganche a su posición:** Instalar arandelas cónicas dentadas de 7/16 y tuercas hexagonales en las uniones delanteras de pernos de carruaje. Instalar bloques espaciadores (pieza 8), arandelas cónicas dentadas de 7/16 y tuercas hexagonales de 7/16 en las uniones de pernos de carruaje más posteriores (Fig. 1). Tener cuidado de no empujar los pernos de nuevo hacia el bastidor. **NOTA:** Insertar arandelas planas de 7/16 (pieza 7) según sea necesario en las uniones posteriores entre el enganche y el bastidor para ocupar el espacio para vehículos con área elevada para colgantes del silenciador. En vehículos de escape doble, podría ser necesario empujar el enganche hacia el lado del pasajero lo más lejos posible, de modo que el soporte del enganche esté contra el colector del baúl. Permitir más espacio para el escape al lado del conductor. Apretar los tornillos como se indica.
- Fascia de ajuste** - En algunos modelos puede ser necesario recortar una muesca pequeña en la fascia y en el borde trasero del soporte lateral del enganche.
- Apretar todos los fijadores de 7/16-14 con una llave de torsión a 50 Lb.-pies (68 N\*M)** **⚠ Se necesita la torsión adecuada para mantener el enganche unido firmemente al vehículo durante el remolque.**
- Elevar el silenciador(s) a su posición:** Volver a colocar los colgantes de goma como se muestra en la Fig. 4 o Fig. 5. Apretar todos los fijadores a la especificación de torsión requerida. **NOTA:** La configuración de las piezas varía según el vehículo.
- Reinstalar el panel de apariencia de plástico:** Con las piezas existentes, volver a instalar el panel que se retiró en el paso 3 si el propietario del vehículo prefiere el recorte.

Nota: Reinstalar el enganche con frecuencia, verificando que todos los fijadores y la esfera estén correctamente apretados. Si se quita el enganche, tapar todos los orificios en el colector del baúl u otros paneles de la carrocería para evitar la entrada del agua y los gases del escape. Se debe retirar y reemplazar un enganche o esfera que se hayan dañado. Observar las precauciones de seguridad al trabajar por debajo del vehículo y usar protección visual. No cortar los orificios de acceso o accesorios con soplete. Este producto cumple con las especificaciones y requisitos de seguridad para conectar dispositivos y sistemas de remolque del estado de Nueva York, V.E.S.C. Regulación V-5 y SAE J684.

# Instrucciones de instalación

NÚMEROS DE PARTE: 24965, 77965,  
CQT24965

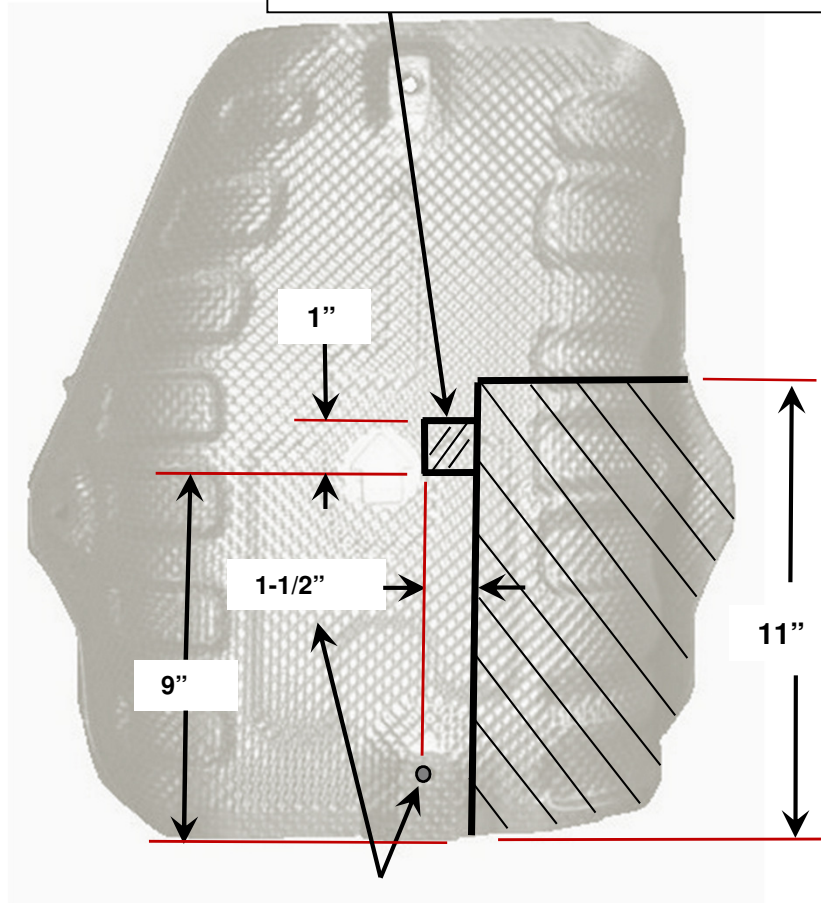
**Kia Optima**  
protectores térmicos del  
silenciador

**Figura 7**

## NOTA:

Primero, recortar un área de 1-1/2" de ancho x 1" de alto para colocar alrededor del perno del enganche.

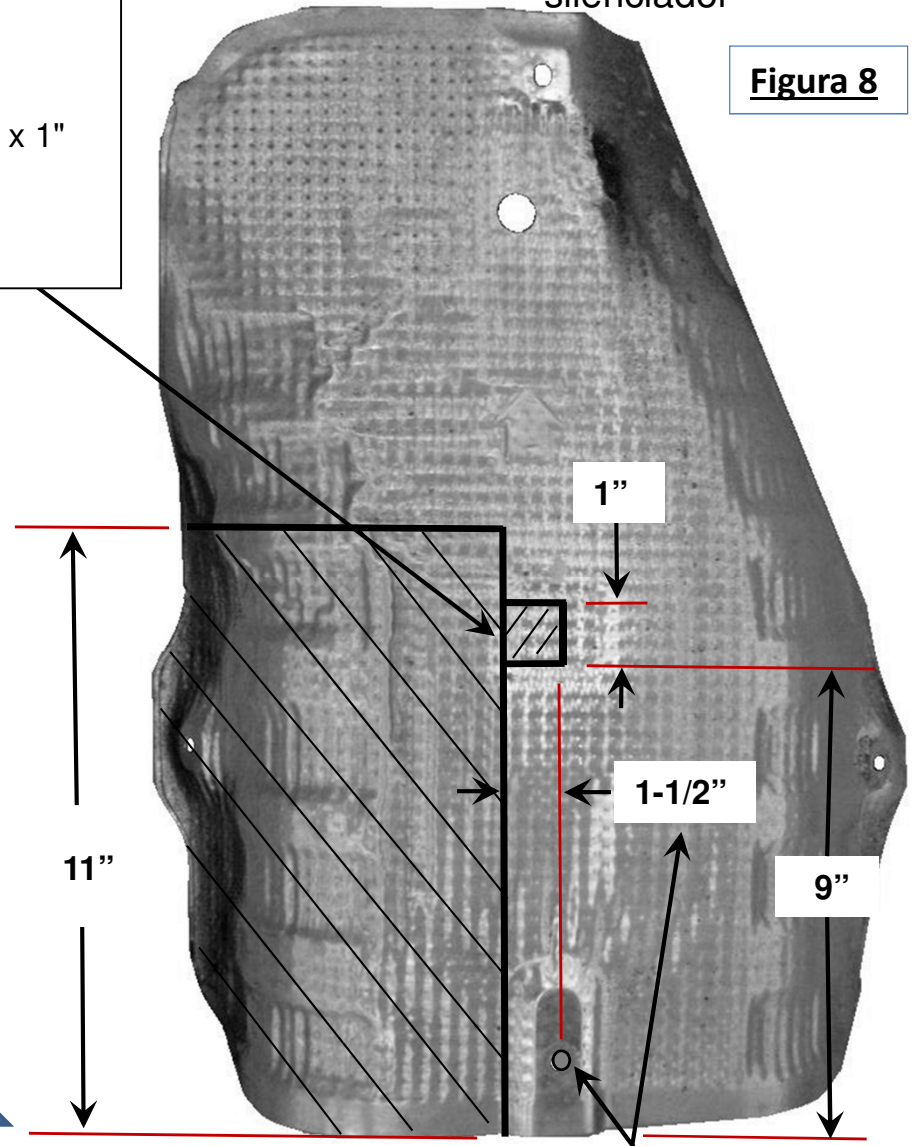
**Figura 8**



Medir 1-1/2" desde el centro del orificio

Protector térmico del lado del conductor

Frente del  
vehículo

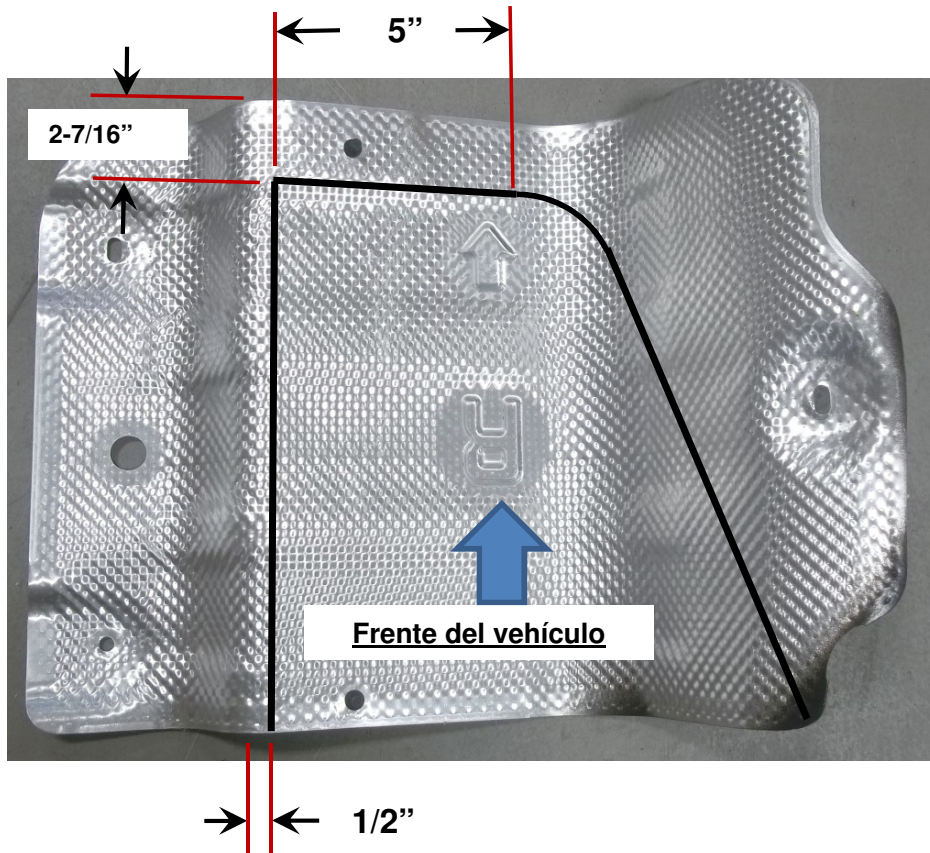


Medir 1-1/2" desde el centro del orificio

Protector térmico del silenciador -lado del pasajero

# Instrucciones de instalación

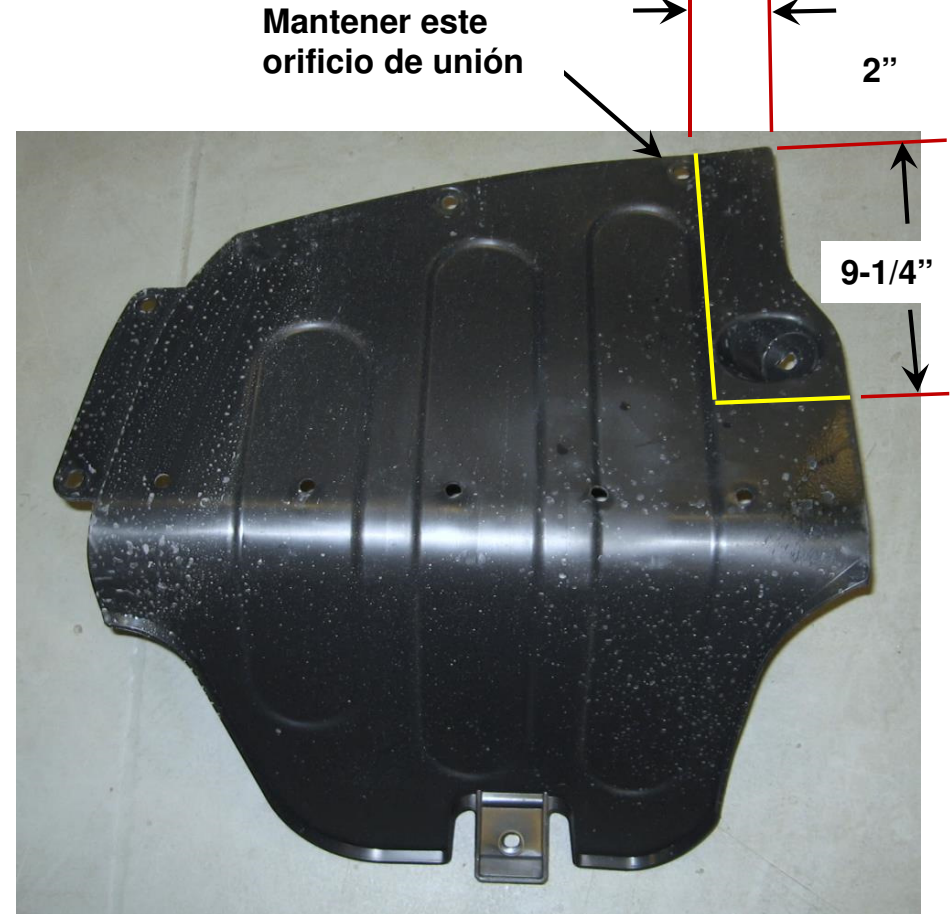
NÚMEROS DE PARTE: 24965, 77965,  
CQT24965



Se muestra el protector térmico del silenciador lado  
del pasajero  
Opuesto al lado del conductor

**Hyundai Sonata**  
protectores térmicos del  
silenciador

**Figura 9**



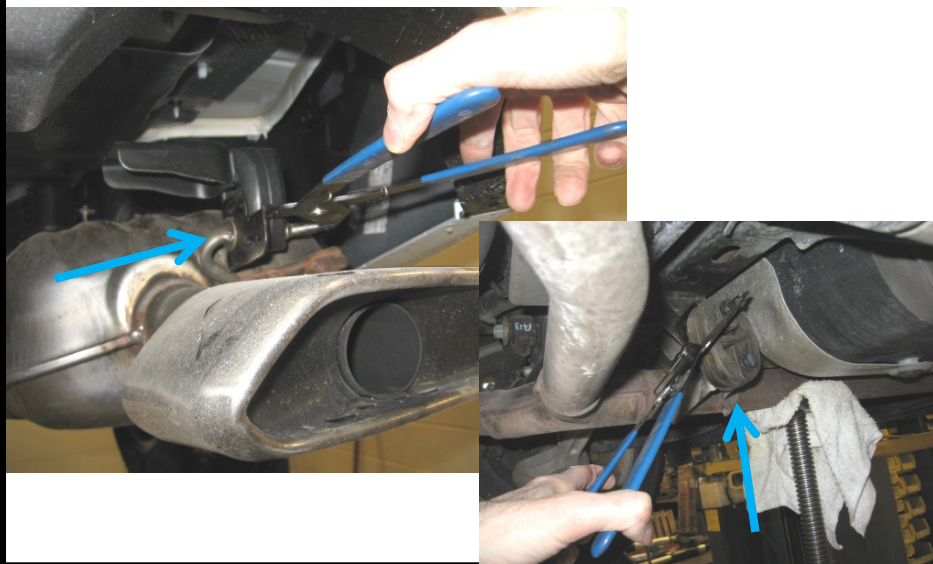
**Panel de apariencia plástico**  
Recorte opcional o devolver al propietario

Frente del vehículo



**Figura 10**

1. **Bajar silenciadores:** Bajar el(los) silenciador(es) al quitar el(los) colgante(s) de goma más posterior(es) y el colgante de goma cerca del eje trasero. Rociar un lubricante en los colgantes de goma permite deslizar los pasadores de metal más fácilmente. **NOTA:** Tener cuidado de que el escape esté apoyado antes de eliminar los colgantes de goma. (Figura 2)



2. **Quitar el(los) soporte(s) de fábrica del colgante del silenciador:** Retirar (2) tuercas hexagonales por soporte colgante para quitar. Devolver los soportes y fijadores al propietario del vehículo.



3. **Quitar el panel de apariencia plástico del lado del conductor (si está presente):** Devolver al propietario del vehículo o consultar la figura 10 para recorte opcional del panel.



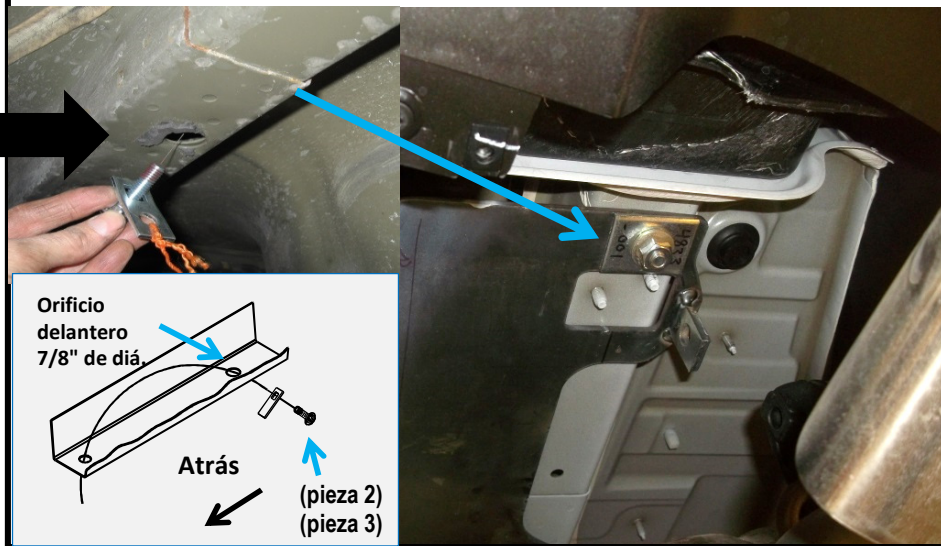
4. **Retirar el panel de apariencia plástico (si está presente) que cubre el espacio entre la fascia del parachoques y el recolector del baúl:** Extraer y devolver al propietario del vehículo.



5. **Retirar el(los) protector(es) térmico(s):** Retirar las tuercas hexagonales (3 a 5 por protector térmico) que sujetan el(los) protector(es) térmico(s) a la parte inferior del vehículo. **NOTA:** El(los) protector(es) se recortarán y se reemplazarán antes de instalar el enganche.



6. **Instalar los fijadores de unión posteriores:** Usando los alambres de halar de 7/16 que se suministran, insertar los pernos de carruaje de 7/16 x 1.50" de largo y las arandelas especiales (pieza 3) a través de los orificios de 7/8" de diámetro en la parte inferior del bastidor, en ambos lados. Halar los pernos de carruaje hacia abajo a través de los orificios de 3/4" de diámetro hacia la parte trasera del vehículo.



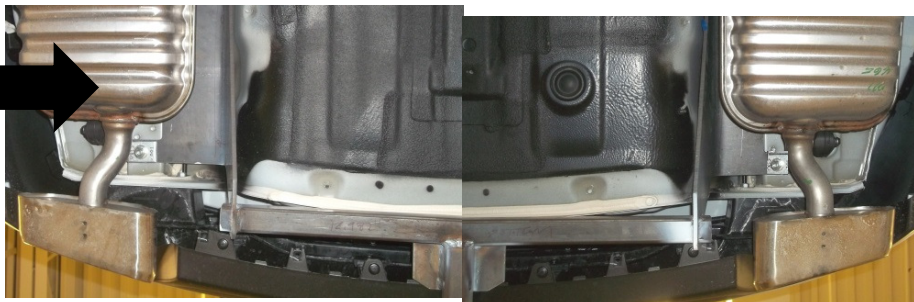
7. **Instalar los fijadores de unión delanteros:** Usando los alambres de insertar de 7/16 que se suministran, insertar los pernos de carruaje de 7/16 x 1.25" de largo y las bloque espaciador (pieza 4) a través de los orificios de 7/8" de diámetro y de regreso a través del mismo orificio, en ambos lados.



8. **Recortar el(los) protector(es) térmico(s):** Recortar el(los) protector(es) térmico(s), ver las figuras 7, 8 y 9 para detalles de cómo recortar el(los) protector(es) térmico(s) del silenciador.
9. **Volver a instalar los protectores térmicos:** Volver a instalar los protectores térmicos usando las mismas herramientas.

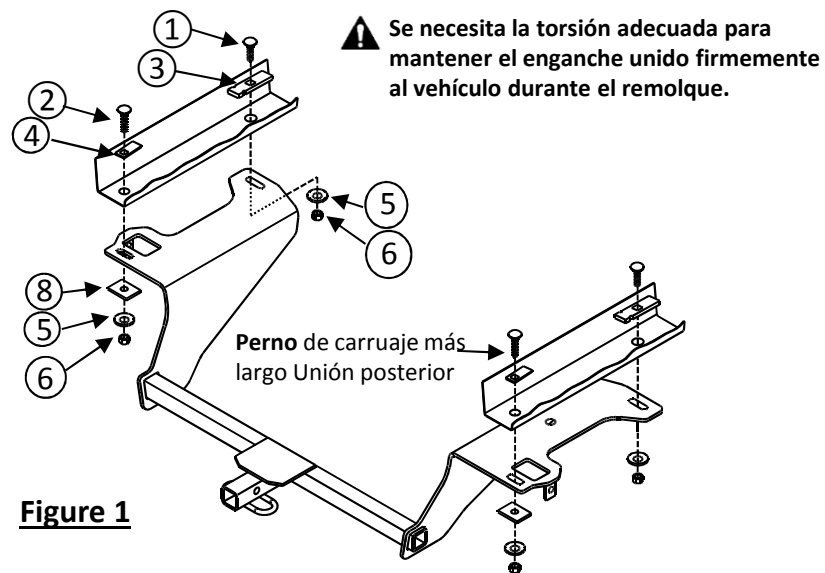


**10. Levantar el enganche a su posición:**- Instalar arandelas cónicas dentadas de 7/16 y tuercas hexagonales en las uniones delanteras de pernos de carruaje. Instalar bloques espaciadores (**pieza 8**), arandelas cónicas dentadas de 7/16 y tuercas hexagonales de 7/16 en las uniones de pernos de carruaje **más** posteriores (Fig. 1). Tener cuidado de no empujar los pernos de nuevo hacia el bastidor. **NOTA:** Insertar arandelas planas de 7/16" (**pieza 7**) según sea necesario en las uniones posteriores entre el enganche y el bastidor para ocupar el espacio para vehículos con área elevada para colgantes del silenciador. En vehículos de escape doble, podría ser necesario empujar el enganche hacia el lado del pasajero lo más lejos posible, de modo que el soporte del enganche esté contra el colector del baúl. Permite más espacio para el escape al lado del conductor. Apretar los tornillos como se indica.



**11. Fascia de ajuste** - En algunos modelos puede ser necesario recortar una muesca pequeña en la fascia y en el borde trasero del soporte lateral del enganche.

**12. Apretar todos los fijadores de 7/16-14 con una llave de torsión a 50 Lb.-pies (68 N\*M)**



**13. Elevar el silenciador(s) a su posición:** Volver a colocar los colgantes de goma como se muestra en la Fig. 4 o Fig. 5. Apretar todos los fijadores a la especificación de torsión requerida. **NOTA:** La configuración de las piezas varía según el vehículo.



**14. Reinstalar el panel de apariencia de plástico:** Con las piezas existentes, volver a instalar el panel que se retiró en el paso 3 si el propietario del vehículo prefiere el recorte.

