

INSTALLATION INSTRUCTIONS

MOUNTING KIT

FORD F250/F350/F450

HD/SD

6' and 8' Beds

PART NUMBER

30126

DO NOT EXCEED VEHICLE MANUFACTURER'S RATING FOR FIFTH WHEEL TOWING OR MAXIMUM GROSS TRAILER WEIGHT OF 25,000lb. / 11,340kg AND A MAXIMUM KING PIN WEIGHT OF 6,250lb. / 2,835kg.

*Please read and understand these instructions prior to installation.

DEALER/INSTALLER:

END USER:

- (1) Provide this Manual to end user.
- (2) Physically demonstrate procedures in this Manual to end user.
- (3) Have end user demonstrate that he/she understands procedures.

- (1) Read and follow this Manual every time you use Hitch.
- (2) Save this Manual for future reference.
- (3) Pass on copies of Manual to any other user or owner of Hitch.

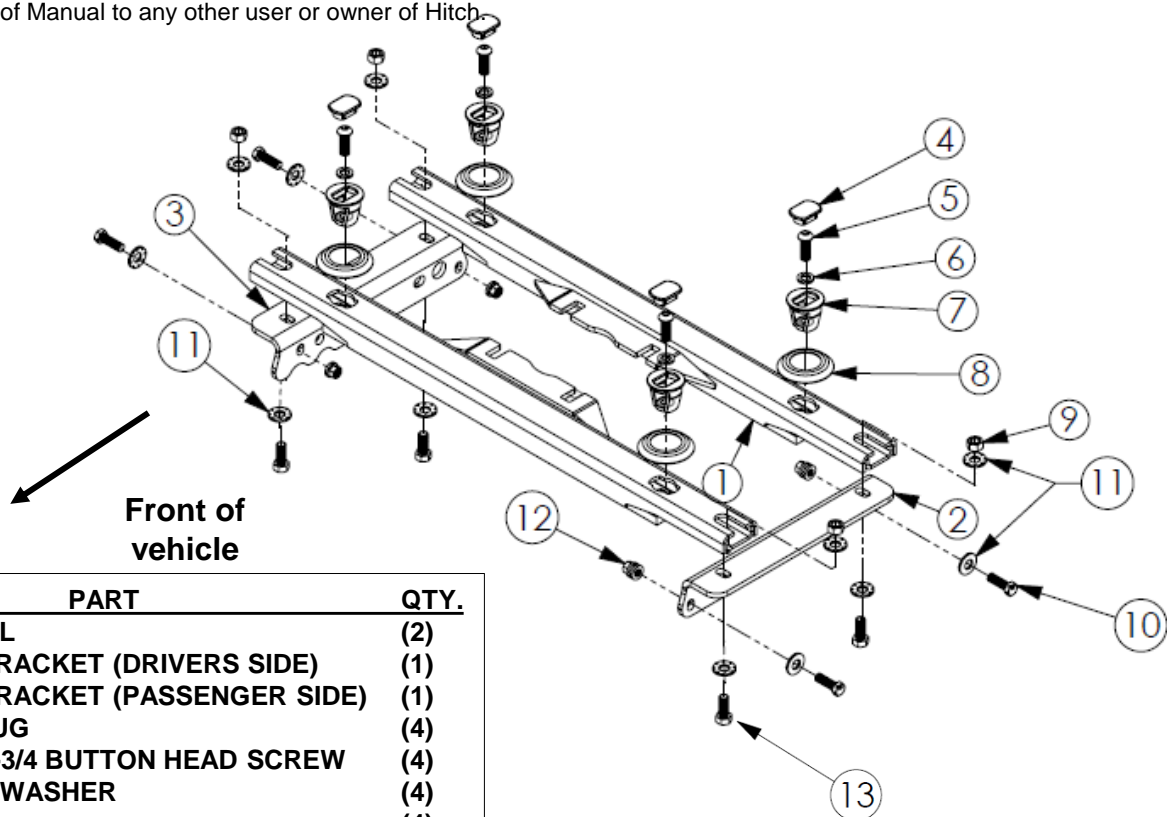
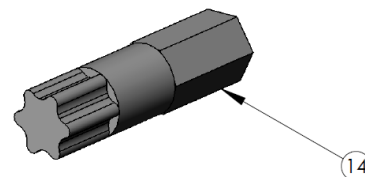


Figure 1



PART	QTY.
1. BASE RAIL	(2)
2. FRAME BRACKET (DRIVERS SIDE)	(1)
3. FRAME BRACKET (PASSENGER SIDE)	(1)
4. PUCK PLUG	(4)
5. 5/8-11 x 1-3/4 BUTTON HEAD SCREW	(4)
6. 5/8 LOCK WASHER	(4)
7. PUCK	(4)
8. TRIM RING	(4)
9. 5/8-11 GRADE 8 HEXHEAD NUT	(4)
10. M14 X 1.5 X 45 BOLT CL10.9	(4)
11. 5/8 CONICAL WASHER	(12)
12. NUT, M14 X 1.5 FLANGE	(4)
13. 5/8-11 x 1-3/4 GRADE 8 HEX HEAD BOLT	(4)
14. Torx T50 IP BIT	(1)

For Customer Support Call 1-888-521-0510

⚠ WARNING:

Failure to follow all of these instructions may result in death or serious injury!

INDEX

1. GUIDELINES FOR MATCHING TOW VEHICLE AND TRAILER	P. 2-4
2. ASSEMBLY INSTRUCTIONS	P. 5-9
3. CEQUENT PERFORMANCE PRODUCTS, INC. LIFETIME LIMITED WARRANTY	P. 10

GUIDELINES FOR MATCHING HITCH TRUCK AND TRAILER

⚠ WARNING:

Failure to check and follow tow ratings could result in tow vehicle damage or truck and trailer separation while towing.

- Trailer and its contents together must not exceed truck, hitch and/or trailer tow ratings.
- Towing vehicle must have a manufacturer's rated towing capacity equal to or greater than the gross trailer weight (dry weight of the trailer plus payload of the trailer). (Figure 2)
- Gross weight of trailer must not exceed fifth wheel hitch rating.
- King pin weight must not exceed fifth wheel rating (Figure 3). If in doubt have king pin weight measured by a qualified technician.

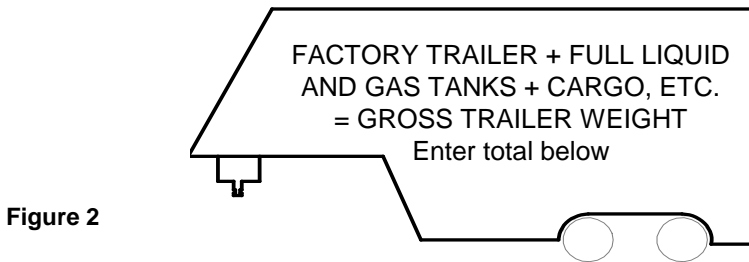


Figure 2

1. Maximum Gross Trailer Weight of : **25,000 lb / 11,340kg.**
Vehicle tow rating: _____
Total calculated Gross Trailer Weight (Figure 2): _____
***Trailer weight should be the lowest of these recorded ratings for safe towing conditions.**
2. Cequent Performance Products, Inc. hitches are designed for use with recreational fifth wheel trailers only.
3. Use only a SAE 2-inch kingpin with your *REESE™ Elite® Series* Fifth Wheel Hitch.
4. Approximately 15%-25% of trailer weight should be on hitch (Pin Weight)(Figure 3).

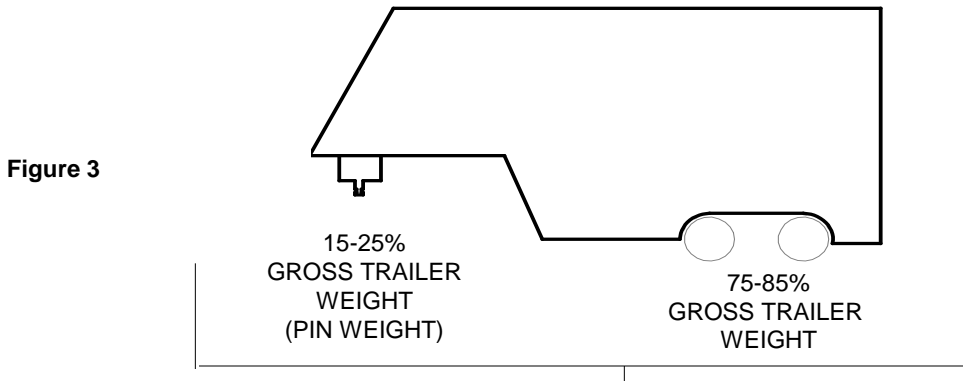


Figure 3

5. Trucks come in many different configurations. Cequent Performance Products, Inc. hitches are designed for use in light trucks such as the Ford F-Series, the Chevy Silverado and the Dodge Ram. Cequent Performance Products, Inc. recommends the use of light trucks with beds 6ft. long or longer for the best combination in truck - trailer turning clearance. See website for vehicle application.

NOTE: To prevent the trailer from hitting the cab with the trailer turned 90°, the center of the hitch should be at least 52in. from the back of the cab when using a long bed truck. (Actual distance required will depend on trailer width and king pin location.) Short bed (Minimum 38in. from back cab to axle center line) trucks require a minimum of 13in. extended pin box (**Figure 5**) or a SIDEWINDER™ Pin box or slider hitch assembly for regular maneuvers.

Rule of thumb: The distance from the back of the truck cab to the center of the rear truck axle ("X" in **Figure 4**), should be approximately 4 in. greater than one-half the trailer width ("Y" in **Figure 4**)

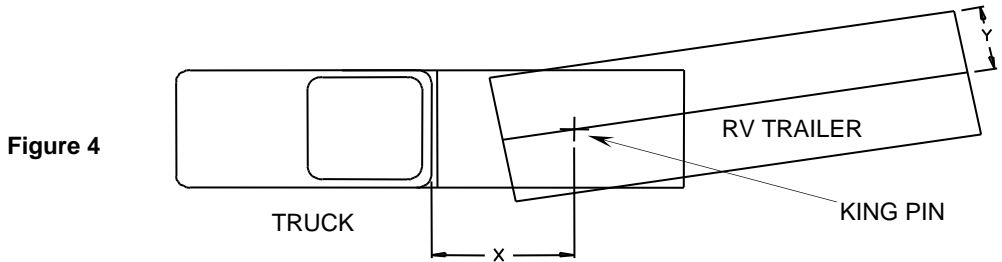


Figure 4

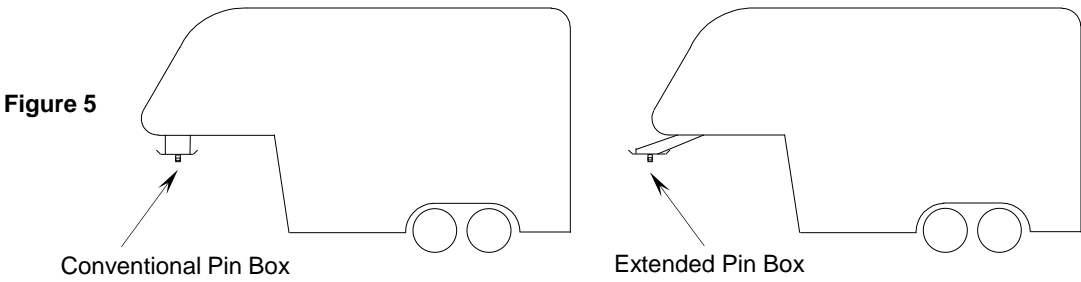
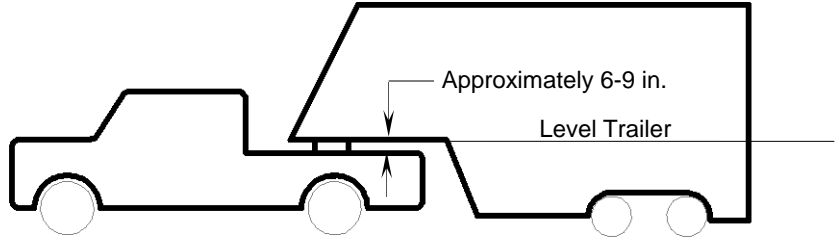


Figure 5

⚠ WARNING:
Do Not install this fifth wheel hitch on or attempt to tow with a short bed pickup truck that has a bed shorter than 6 ft. unless trailer is equipped with a Sidewinder™ pin box!

6. The height of the hitch and the pin box should be adjusted so the trailer is approximately level as it is towed. Allow approximately 6 in. - 9 in. clearance between the top of the bed rails and the underside of the front of the trailer for pitch and roll of the trailer. (**Figure 6**). Allow more clearance between pickup walls and trailer for off road use.

Figure 6



CAUTION:

The measurements above are guidelines. If your measurements are close to these numbers re-check clearances. If vehicle and/or trailer has any added bed vicinity accessories (i.e. fairings, air dams, ground effects, bed rails, fuel-cells, toolbox, etc.), additional dimensioning and clearance checks have to be made.

7. Hitch height determination:

With trailer leveled and on level ground measure from the ground to the bottom of the king pin box ("A" in **Figure 7**). Secondly measure the height of the inside of the truck bed to the ground ("B" in **Figure 7**). Determine the amount of clearance over the side rails ("C" and "D" in **Figure 7**).

$$\text{Hitch Height} = A - B + 2''^{**}$$

** The 2" value is an estimate of suspension compression due to king pin weight of the trailer. This compression could range between 1"-5" depending on the truck being used and the trailer being towed.

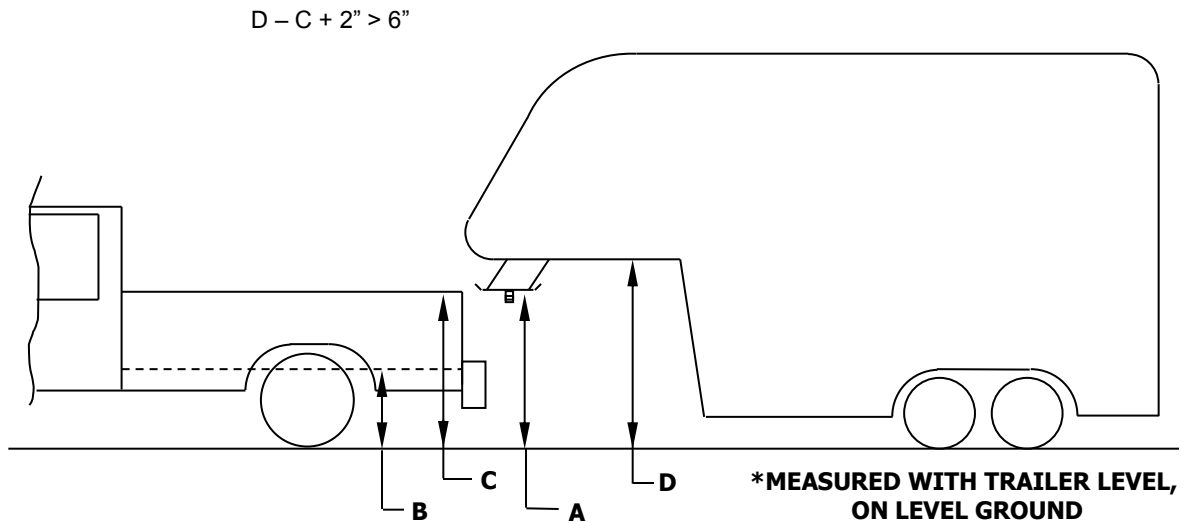


Figure 7

8. If a lube plate is to be used with a REESE™ *Elite*® Fifth Wheel it must be at least 12" in diameter. Cequent Performance Products, Inc. offers this optional lube plate as part # 83001.

⚠ WARNING:

- Connection for trailer wiring must be located at the side of the truck bed between the driver's seat and the rear wheel to prevent operators from working between the truck and trailer.
- Avoid putting any part of your body under the trailer or between the truck and trailer. Unexpected or accidental movement of the truck or the trailer can cause serious injury or death
- If you must place any part of your body under the trailer or between the truck and trailer you **MUST** perform **ALL** of the following steps:
 - Check that the truck transmission is in park
 - Check that the emergency brake is on
 - Block in front of and behind all trailer tires
 - Check that the trailer landing gear are resting on firm ground

GENERAL INSTRUCTIONS FOR FIFTH WHEEL INSTALLATION

TOOLS

1/8" Drill Bit	15/16" Socket & Open End Wrench
Torx T50IP Bit (Supplied with Kit)	200 lb-ft Torque Wrench
Rubber Mallet	2-3/4" Hole Saw
21mm Socket or Open End Wrench	19mm Socket or Open End Wrench
1/2" Drive Swivel Head Ratchet	3/8" Allen Wrench Socket

CAUTION!

Read pages 2-4 of these instructions before starting installation. Failure to do so could result in significant vehicle damage!

- The following instructions should be used to mount the fifth wheel mounting kit. Care and attention to detail will ensure a quick quality installation. Check parts against parts list to become familiar with parts in kit. (**Figure 1**)
- If extra clearance is needed to install the frame brackets, raise the rear of the truck high enough to allow the rear tires to hang down freely. This will provide the maximum room to install the fifth wheel brackets.



WARNING:

If the truck is raised, be sure that the truck is properly blocked and restrained to prevent the truck from falling. Failure to do so may result in the truck suddenly falling, causing death or serious injury.

- Remove plastic bed liner if applicable.** Plastic drop-in bed liners will be cut later. (See **Figure 15**) Spray-in bed liners and bed mats less than 1/4" thick will work with normal installation instructions. **Note:** Consult installer for recommended curing time on spray-in liner before cutting holes through bed.

CAUTION:

Check for obstructions before drilling. Failure to do so could result in damaged fuel or brake lines, structural members, etc. CEQUENT PERFORMANCE PRODUCTS, Inc. does its best to communicate tow vehicle manufacturer changes; however, it is ultimately the responsibility of the installer to prevent damage due to installation.

- Use only CEQUENT PERFORMANCE PRODUCTS, Inc. supplied bolts, nuts, and washers to install this kit. All bolts and nuts are Grade 8 unless specified otherwise.
- These instructions are intended for 2011 Ford Super Duty with 6 to 8 foot bed. Each frame bracket must be bolted to the vehicle frame with two bolts.

CAUTION:

These instructions are guidelines only. Actual installation is the responsibility of the installer and the owner. Always measure truck and trailer before installing hitch to be sure that there is clearance at the cab and at the bumper to allow for turns.

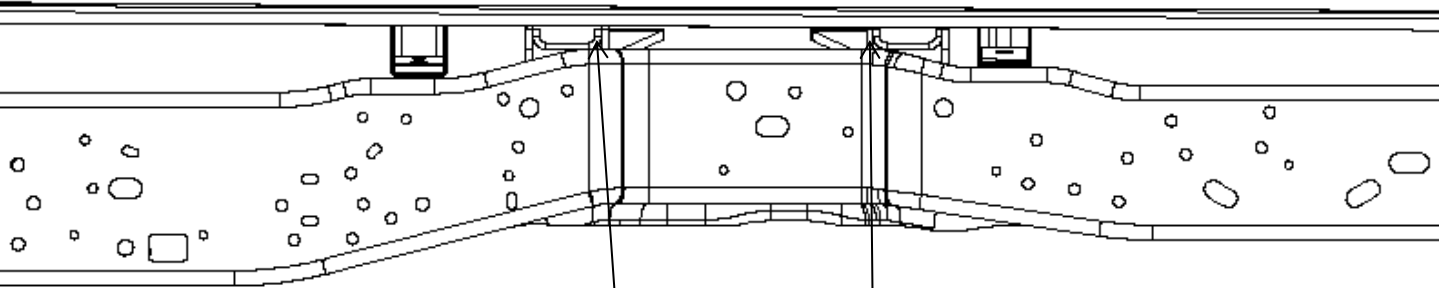
- Drill 1/8" pilot holes in truck bed at outer dimpled locations (approximate dimensions of **Figure 15**). The middle dimple is for the goose ball only. (See gooseneck instructions if applicable.) These dimpled locations are placed by the factory. If dimples are not present, refer to (**Figure 15**) located on page 9. Use a 2 3/4" hole saw to cut hole at pilot holes. **Note:** Consult installer for recommended curing time on spray in liner before cutting holes through bed. **Optional:** Spray under coating around 2 3/4" holes to prevent rusting.

- Locate the area where the base rails will be inserted above the rear wheel on the passengers side. There are two hat channels supporting the truck bed over the rear wheel. The base rails will be inserted at the location behind the forward hat channel (**FIGURE 8**) located on page 6. To create clearance for inserting the rails remove passengers side bed bolts, loosen drivers side bed bolts with T50 torx bit (#14) (**Figure 1**), and block up passengers side bed.



WARNING:

Be careful of fuel fill line and wiring while lifting.



Front of vehicle →

Rail positions

Figure 8

16. Insert rails (#1) as shown in the following steps (Figures 9 through 11). Rails should be inserted flat side up.

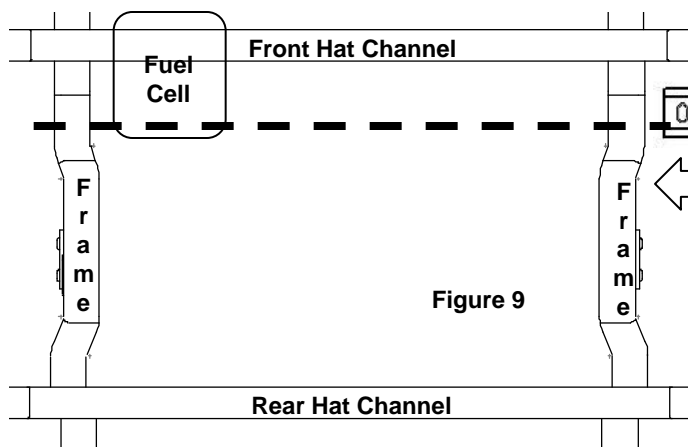


Figure 9

Step 16A : Insert the first rail from the passengers side rear wheel well above the frame. Rest the rail on both chassis frame rails (Figure 9).

Vehicle Forward ↑

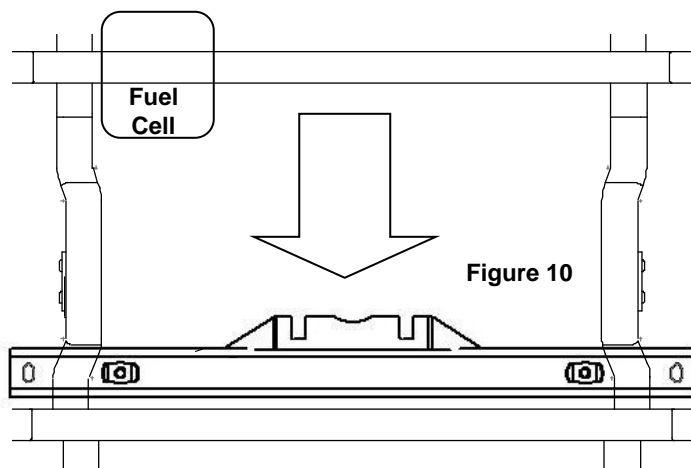


Figure 10

Step 16B : Slide the rail rearward, parallel with axle, resting on both frame rails, and as close as possible to the rear hat channel (Figure 10).

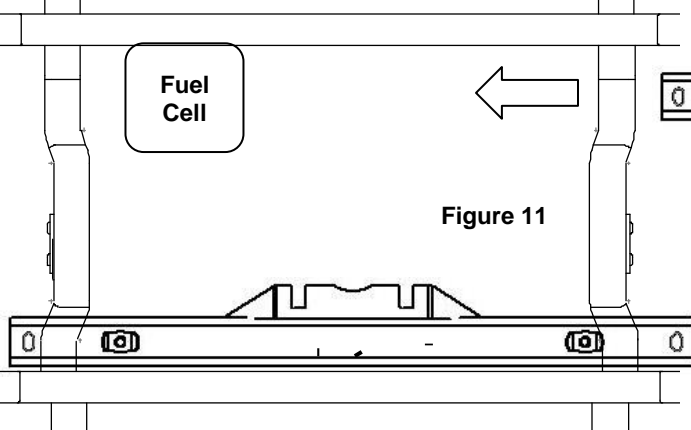


Figure 11

Step 16C : Insert the second rail from the passengers side rear wheel well above the frame. Rest the rail on both chassis frame rails (Figure 11).

Step 16D : One rail should be facing rearward and the other rail facing forward after the installation. The rails should be centered with both ends of each rail resting evenly on the frame.

17. Loosely attach frame brackets (#2 & 3) (Figure 1) to mounting kit rails using 5/8" X 1 3/4" (#10) (Figure 1) long bolts, conical washer (#11) (Figure 1) (below bracket), conical washer (#11) (inside rail), and 5/8" nut (inside rail) (#9) (Figure 12). Tighten all mounting kit bolts to hand tight.

 **WARNING:**
DO NOT lubricate bolt threads. It may cause bolt failure.

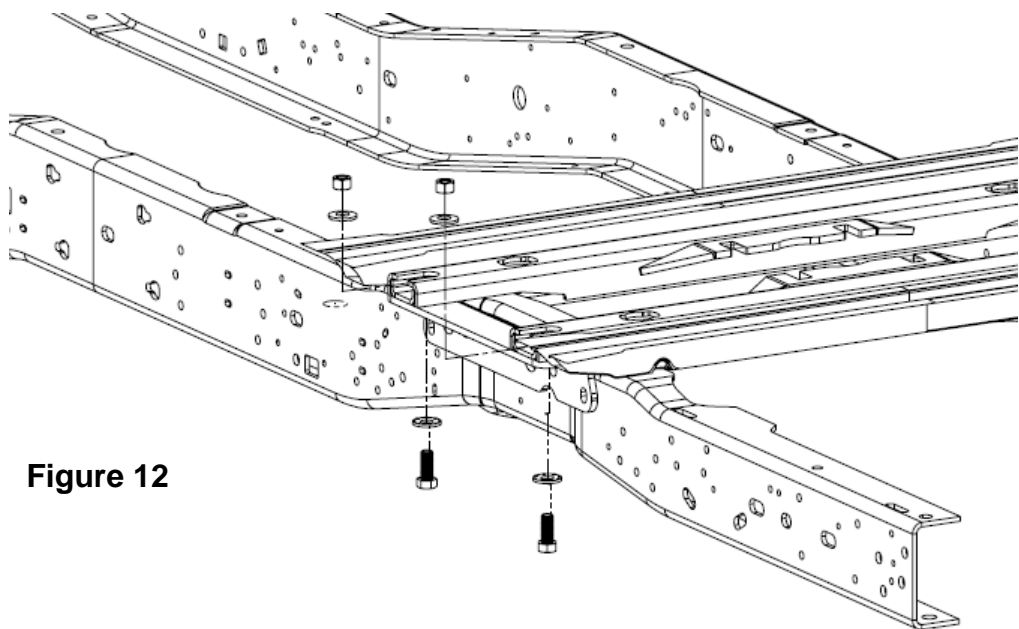


Figure 12

CAUTION:

Check for obstructions before drilling. Failure to do so could result in damaged fuel or brake lines, structural members, etc. CEQUENT PERFORMANCE PRODUCTS, Inc. does its best to communicate tow vehicle manufacturer changes; however, it is ultimately the responsibility of the installer to prevent damage due to installation.

18. Loosely attach frame bracket to existing holes in chassis frame using M14 1.5 x 45 bolts (#10), conical washer (#11) (Figure 1), and flange nut (#12) (Figure 1). Tighten to hand tight (Figure 13). Lifting truck bed gives easier access to the driver's side nut and bolt.

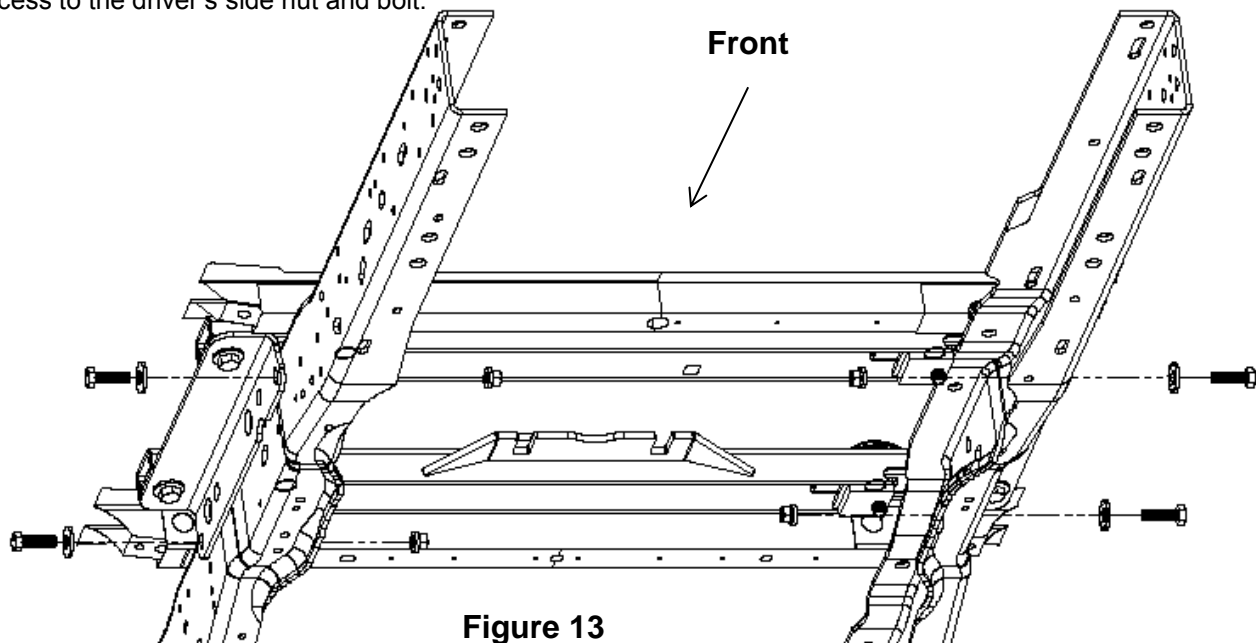


Figure 13

CAUTION:

Check for obstructions before drilling. Failure to do so could result in damaged fuel or brake lines, structural members, etc. CEQUENT PERFORMANCE PRODUCTS, Inc. does its best to communicate tow vehicle manufacturer changes; however, it is ultimately the responsibility of the installer to prevent damage due to installation.

19. Lower bed and align bed, bolts, and holes for pucks as needed.
20. From truck bed attach pucks (#7) (**Figure 1**) and trim rings (#8) (**Figure 1**) to rails as shown in **Figure 14** below using 5/8" button head screw (#5) and lock washer (#6) using 3/8in. Allen socket. Tighten to 110ft.lbs. torque.
21. Place fifth wheel in rail kit and secure in place.
22. Torque all 5/8" rail kit hex bolts to 150ft./lbs first. Then torque all M14 bolts to 140 ft./lbs. **Note:** Use swivel head ratchet to access front driver's side nut from over frame.
23. Replace any brake lines and spare tire that may have been removed/relocated.
24. Torque the bed bolts that were loosened in step 14 to 75ft./lbs with T50 TORX BIT (#14) (**FIGURE 1**).

⚠ WARNING:

DO NOT lubricate bolt threads. It may cause bolt failure.

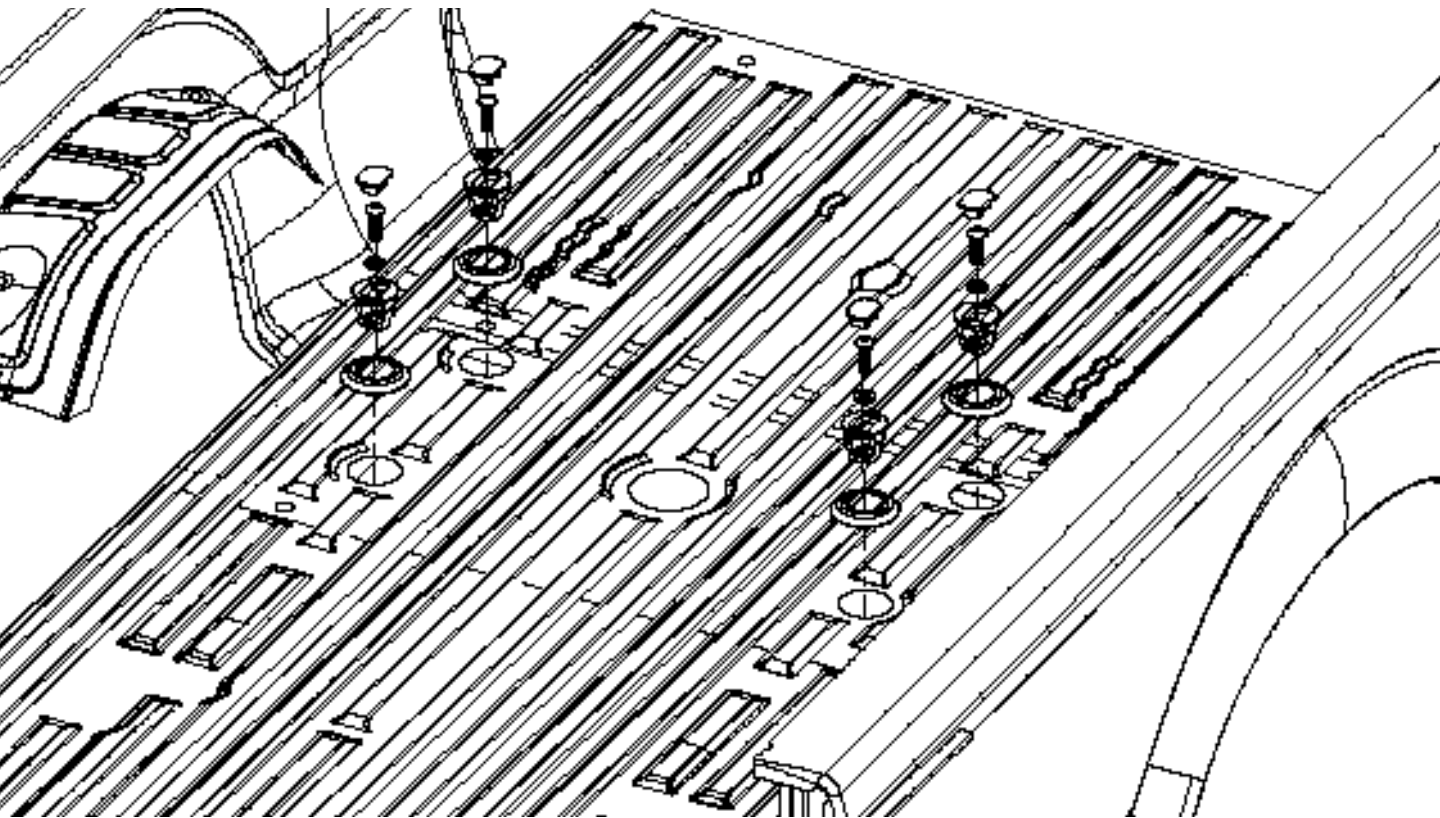


Figure 14

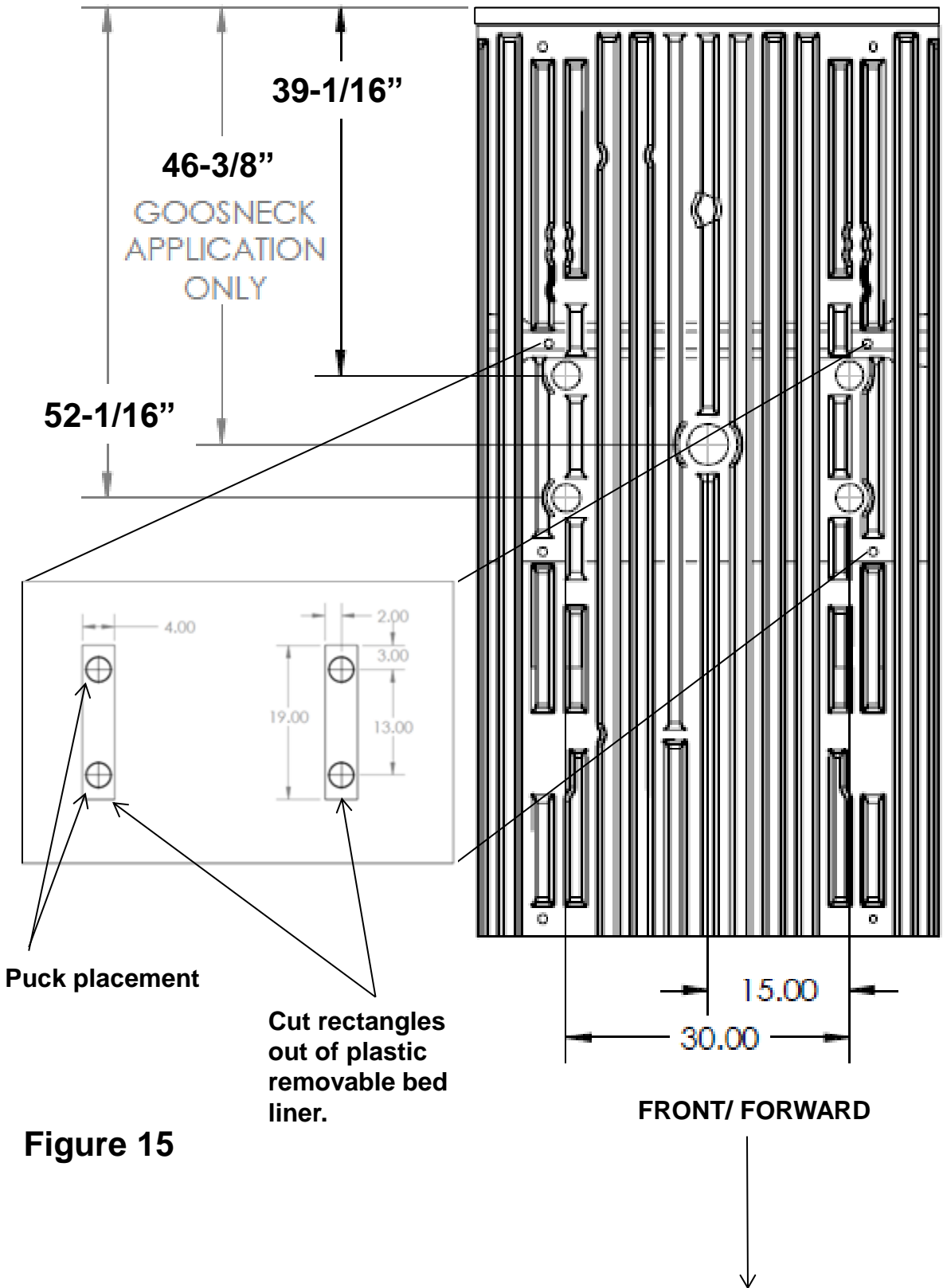


Figure 15

NOTES

LIFETIME LIMITED WARRANTY

Cequent Performance Products Inc. (“We” or “Us”) warrants the Elite Series 5th Wheel Hitch Mounting Kits to the original consumer purchaser only (“You”) that the product will be free from material defects in both material and workmanship, ordinary wear and tear expected; provided that installation and use of the product is in accordance with product instructions. There are no other warranties, express or implied, including the warranty of merchantability or fitness for a particular purpose. This warranty is not transferable.

This warranty does not cover: (a) normal wear and tear; (b) damage through abuse, neglect, misuse, or as a result of any accident or in any other manner; (c) damage from misapplication, overloading, or improper installation; (d) improper maintenance and repair; and (e) product alteration in any manner by anyone other than Us, with the sole exception of alterations made pursuant to product instructions and in a workmanlike manner.

To make a Warranty claim, contact Us, at our principal address of 47912 Halyard Dr. Suite 100, Plymouth, MI 48170, 1-800-521-0510, identify the product by model number, and follow the claim instructions that will be provided. Any returned product that is replaced by Us becomes our property. You will be responsible for return shipping costs. Please retain your purchase receipt to verify date of purchase and that You are the original consumer purchaser. The product and the purchase receipt must be provided to Us in order to process Your Warranty claim.

Product replacement is Your sole remedy under this Warranty. We shall not be liable for service or labor charges incurred in removing or replacing a product or any incidental or consequential damages of any kind.

You acknowledge and agree that any use of the product for any purpose other than the specified use(s) stated in the product instructions is at Your own risk.

This Warranty gives you specific legal rights, and You may also have other rights which vary from state to state. This Warranty is governed by the laws of the State of Michigan, without regard to rules pertaining to conflicts of law. The state courts located in Oakland County, Michigan shall have exclusive jurisdiction for any disputes relating to this warranty.

Cequent Performance Products, Inc.
47912 Halyard Dr, #100
Plymouth, MI 48170

INSTRUCTIONS D'INSTALLATION NÉCESSAIRE DE MONTAGE FORD F250/F350/F450HD/SD Plateformes de 6 et 8 pieds

Numéro de pièce

30126

**NE PAS EXCÉDER LES SPÉCIFICATIONS DE CHARGE DU FABRICANT DU VÉHICULE
POUR LES ATTELAGES À SELLETTE, NI UN POIDS BRUT MAXIMAL DE REMORQUE DE
25 000lb / 11 340 kg ET UN POIDS MAXIMAL AU PIVOT D'ATTELAGE DE 6 250lb / 2 835 kg.**

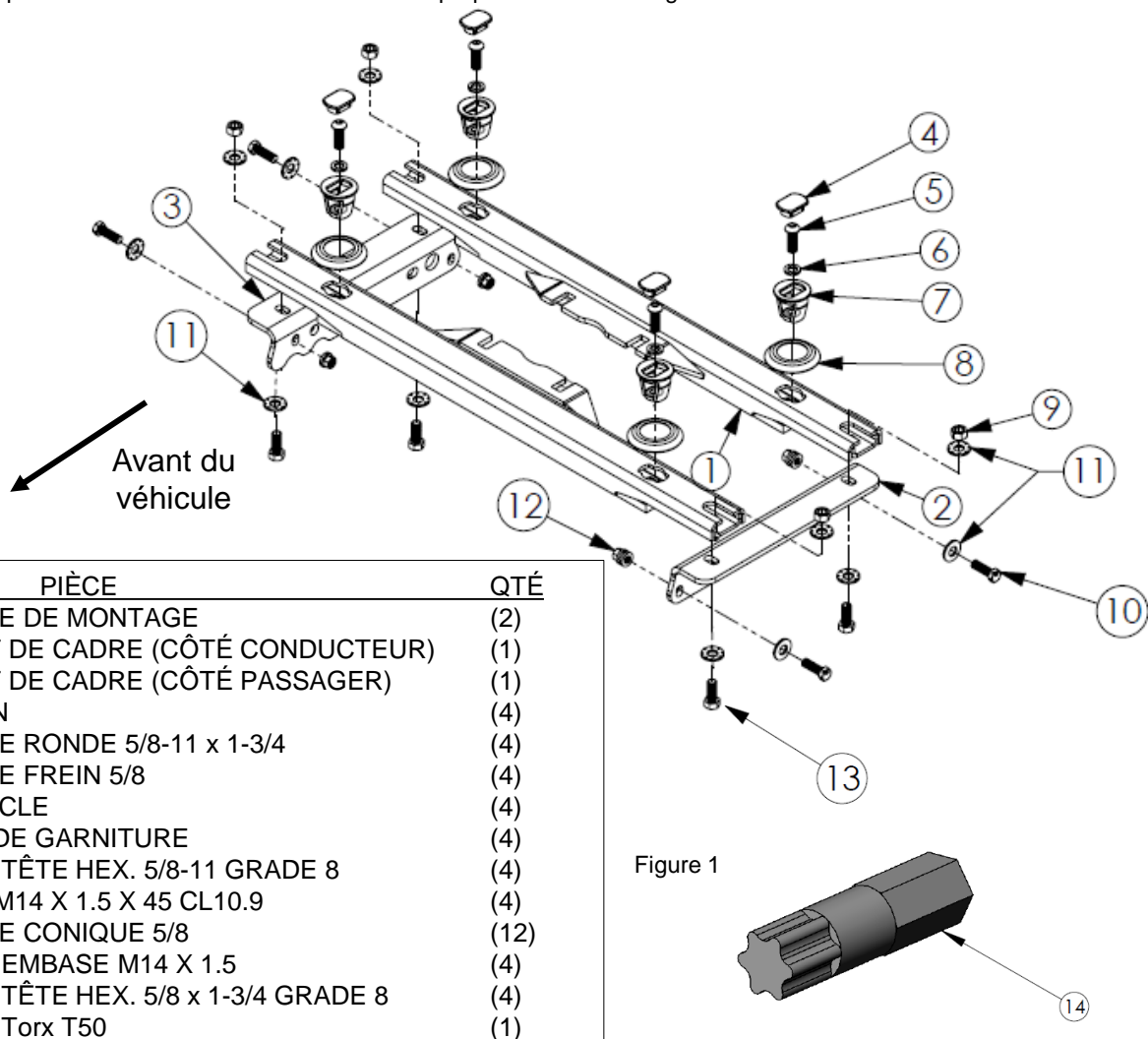
*Veuillez lire et comprendre toutes les instructions avant de procéder à l'installation.

CONCESSIONNAIRE/INSTALLATEUR :

UTILISATEUR FINAL :

- (1) Remettre ce manuel à l'utilisateur final.
- (2) Démontrez physiquement les procédures de ce manuel à l'utilisateur final.
- (3) Demander à l'utilisateur final de démontrer sa compréhension des procédures.

- (1) Lire et observer les instructions de ce manuel à chaque utilisation de l'attelage.
- (2) Conserver ce manuel pour consultation ultérieure.
- (3) Remettre des copies du manuel à tout autre utilisateur ou propriétaire de l'attelage.



PIÈCE	QTÉ
1. TRAVERSE DE MONTAGE	(2)
2. SUPPORT DE CADRE (CÔTÉ CONDUCTEUR)	(1)
3. SUPPORT DE CADRE (CÔTÉ PASSAGER)	(1)
4. BOUCHON	(4)
5. VIS À TÊTE RONDE 5/8-11 x 1-3/4	(4)
6. RONDELLE FREIN 5/8	(4)
7. RÉCEPTACLE	(4)
8. ANNEAU DE GARNITURE	(4)
9. ÉCROU À TÊTE HEX. 5/8-11 GRADE 8	(4)
10. BOULON M14 X 1.5 X 45 CL10.9	(4)
11. RONDELLE CONIQUE 5/8	(12)
12. ÉCROU À EMBASE M14 X 1.5	(4)
13. ÉCROU À TÊTE HEX. 5/8 x 1-3/4 GRADE 8	(4)
14. EMBOUT Torx T50	(1)

Figure 1

Pour l'assistance à la clientèle, composez le 1-888-521-0510.

⚠ AVERTISSEMENT :
L'omission d'observer toutes les instructions
peut causer des blessures sévères, voire la mort !

SOMMAIRE

- | | |
|--|-----------|
| 1. DIRECTIVES CONCERNANT LE JUMELAGE DU VÉHICULE ET DE LA CARAVANE | Pgs 2 à 4 |
| 2. INSTRUCTIONS DE MONTAGE | Pgs 5 à 9 |
| 3. GARANTIE À VIE LIMITÉE DE CEQUENT PERFORMANCE PRODUCTS, INC. | Pg 10 |

DIRECTIVES CONCERNANT LE JUMELAGE DU VÉHICULE ET DE LA CARAVANE

⚠ AVERTISSEMENT :
L'omission de vérifier et respecter les capacités de charge nominales peut
causer l'endommagement du véhicule ou la séparation du véhicule et de la
caravane pendant le remorquage.

- Le poids de la caravane et de son contenu ne doit pas dépasser les capacités de charge du véhicule, de l'attelage et/ou de la caravane.
- La capacité de charge du véhicule spécifiée par le fabricant doit être égale ou supérieure au poids brut de la caravane (poids à vide de la caravane plus sa charge utile). (Figure 2)
- Le poids brut de la caravane ne doit pas dépasser la capacité de charge nominale de l'attelage à sellette.
- Le poids du pivot d'attelage ne doit pas dépasser la capacité de charge nominale de la sellette (Figure 3). En cas de doute, faire peser le pivot d'attelage par un technicien spécialisé.

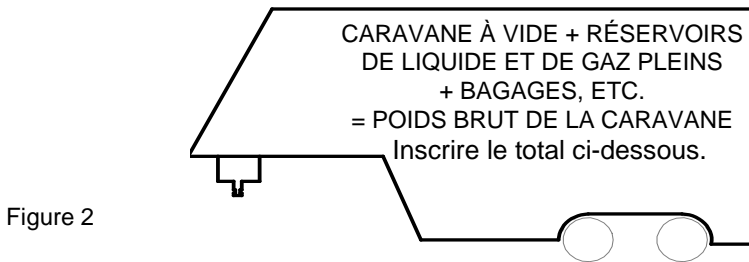


Figure 2

1. Poids brut max. de la remorque : **25 000 lb / 11 340 kg.**
Capacité de remorquage du véhicule : _____.
Total du poids brut calculé de la caravane (Figure 2) : _____.
- *Pour s'assurer de conditions de remorquage sécuritaires, le poids de la caravane ne doit pas dépasser la capacité de charge la plus basse inscrite ci-dessus.
2. Cet attelage est conçu pour être utilisé uniquement avec une caravane à sellette .
3. Utiliser seulement un pivot d'attelage de 2 pouces SAE avec votre attelage à sellette *REESE™ Elite® Series*.
4. Environ 15 % à 25 % du poids de la caravane doit reposer sur l'attelage (poids au pivot) (Figure 3).

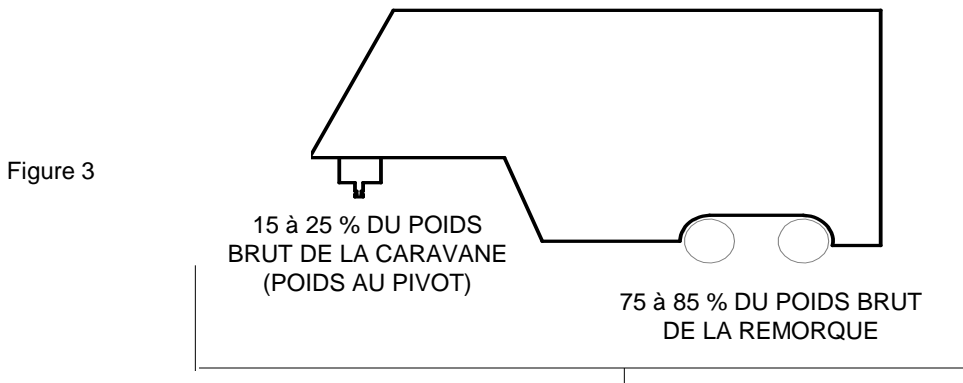
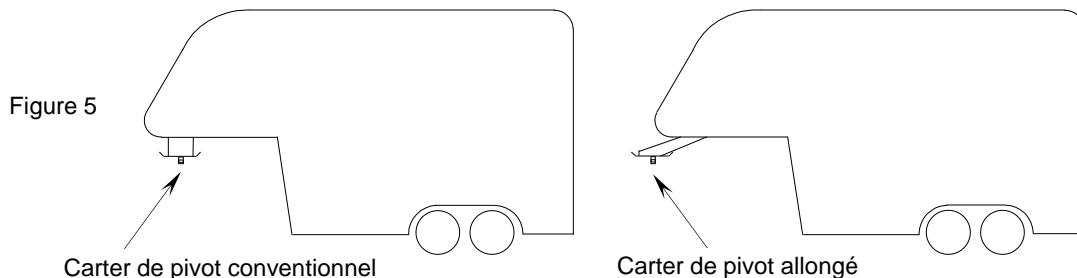
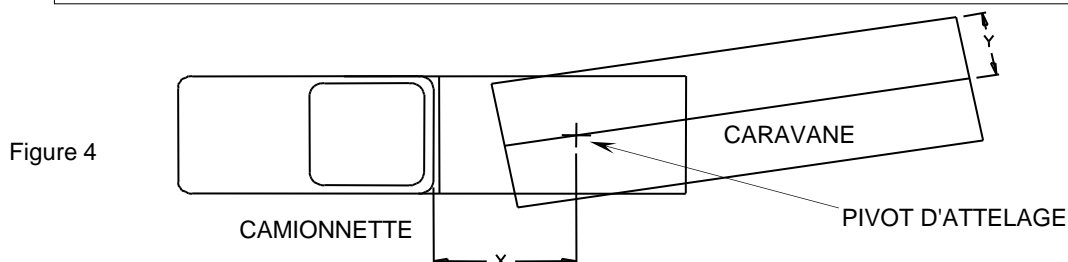


Figure 3

5. Les camionnettes sont fabriquées selon des configurations variées. Les attelages Cequent Performance Products, Inc. sont conçus pour des camionnettes légères, telles que les modèles Ford F-Series, Chevy Silverado et Dodge Ram. Cequent Performance Products, Inc. recommande d'utiliser des camionnettes légères à plateforme de 6 pi ou plus pour obtenir le meilleur dégagement véhicule-caravane dans les virages. Visiter le site Web pour les applications sur différents véhicules.

NOTA : Pour éviter que la cabine ne soit heurtée par la remorque lorsque celle-ci se trouve à un angle de 90°, le centre de l'attelage doit être à une distance d'au moins 52" (132 cm) de l'arrière de la cabine s'il s'agit d'une camionnette à plateforme longue. (La distance réelle requise dépendra de la largeur de la remorque et de l'emplacement du pivot d'attelage.) Les camionnettes à plateforme courte (minimum de 38 po / 97 cm entre l'arrière de cabine et la ligne de centre de l'essieu) exigent l'un des trois dispositifs suivants pour les manoeuvres régulières : carter de pivot allongé d'un minimum de 13 po / 33 cm (Figure 5) ; carter de pivot SIDEWINDER™ ; ou encore un attelage à curseurs.

Méthode empirique : La distance entre l'arrière de la cabine de la camionnette et le centre de l'essieu arrière de la camionnette ("X" de la Figure 4) doit être supérieure d'environ 4 pouces à la demi-largeur de la caravane ("Y" de la Figure 4).

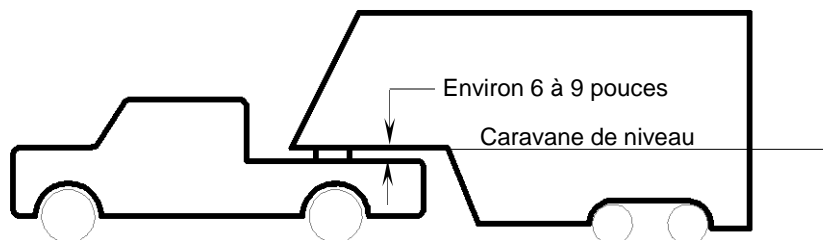


⚠ AVERTISSEMENT :

Ne pas installer cet attelage à sellette (ni tenter de remorquer avec celle-ci) sur une camionnette à plateforme courte inférieure à 6 pieds, à moins que la caravane ne soit équipée d'un carter de pivot Sidewinder™ !

6. La hauteur de l'attelage et du carter de pivot doit être ajustée de façon que la caravane soit à peu près de niveau lors du remorquage. Laisser environ 6 à 9 pouces de dégagement entre le dessus des traverses de montage et le dessous de l'avant de la caravane en prévision du tangage et du roulis de la caravane. (Figure 6). Laisser un dégagement supplémentaire entre les parois de la camionnette et la caravane dans le cas d'une utilisation hors route.

Figure 6



ATTENTION :

Les mesures ci-dessus apparaissent à titre indicatif. Si vos mesures se rapprochent de ces valeurs, vérifiez les dégagements de nouveau. Si le véhicule et/ou la caravane sont équipés d'accessoires dans la zone de la plateforme (carénage, jupe, effet de sol, traverse de plateforme, réservoirs de carburant, coffre d'outil, etc.), il faut procéder à des mesures et vérifications de dégagement additionnelles.

7. Détermination de la hauteur de l'attelage :

Caravane de niveau et reposant sur un sol plat, mesurer la distance entre le sol et le bas du carter du pivot d'attelage et le coupleur (dimension "A" de la Figure 7). Mesurer ensuite la distance entre l'intérieur de la plateforme de camionnette et le sol (dimension "B" de la Figure 7). Calculer le dégagement au-dessus des longerons de caisse de la camionnette ("C" et "D" à la Figure 7).

$$\text{Hauteur de l'attelage} = A - B + 2 \text{ po}^{**}$$

** La valeur de 2 po est une évaluation de la compression de la suspension causée par le poids du pivot d'attelage de la caravane. Cette compression peut mesurer entre 1 et 5 po selon la camionnette et la caravane utilisées.

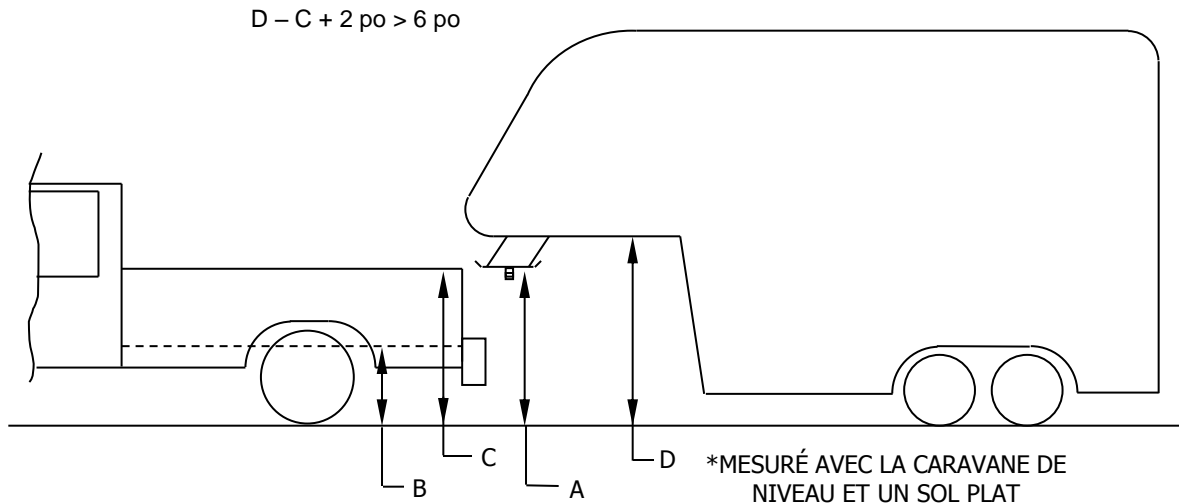


Figure 7

8. Si une plaque lubrifiante doit être utilisée avec la sellette REESE™ *Elite*®, son diamètre doit mesurer au moins 12 po. Cequent Performance Products, Inc. offre cette plaque lubrifiante en option (pièce #83001).

⚠ AVERTISSEMENT :

- La connexion pour le câblage de la caravane doit être située sur le côté de la plateforme de la camionnette, entre le siège du conducteur et la roue arrière, afin d'empêcher les opérateurs de travailler entre le véhicule et la caravane.
- Éviter de placer une partie du corps sous la caravane ou entre la camionnette et la caravane. Un mouvement imprévu ou accidentel de la camionnette ou de la caravane peut causer des blessures sévères, voire la mort.
- Si l'on place une partie du corps sous la caravane ou entre le véhicule et la caravane, il **FAUT** exécuter **TOUTES** les étapes suivantes :
 - S'assurer que la transmission de la camionnette est en position de stationnement.
 - S'assurer que le frein de secours est appliqué.
 - Placer des cales à l'avant et l'arrière des pneus de la caravane.
 - S'assurer que la béquille de la caravane repose sur un sol ferme.

INSTRUCTIONS GÉNÉRALES POUR L'INSTALLATION DE LA SELLETTE

OUTILS

Mèche 1/8"

Embout Torx T50 (fourni)

Maillet en caoutchouc

Douille ou clé ouverte 21 mm

Pince-étai (vise-grip) ou pince

Clé ouverte et douille 15/16"

Clé dynamométrique 200 lb-pi

Scie-cloche 2-3/4"

Douille ou clé ouverte 19mm

Clé à cliquet à tête pivotante 1/2"

MISE EN GARDE !

Lire attentivement les pages 2 à 4 de ces instructions avant de commencer l'installation. Le défaut d'observer ce conseil peut causer des dommages importants au véhicule !

9. Les instructions suivantes doivent être suivies pour installer le nécessaire de montage de la sellette. Un travail soigné et une attention aux détails procurera une installation rapide de qualité. Comparez les pièces avec celles qui sont énumérées dans la liste pour vous familiariser avec les éléments du montage. (Figure 1)
10. Soulevez l'arrière de la camionnette à une hauteur suffisante pour placer les vérins sous le support de ressort arrière de la camionnette. Vous disposerez ainsi du maximum d'espace pour installer les supports de sellette.

⚠ AVERTISSEMENT :

Si la camionnette est soulevée, s'assurer qu'elle est adéquatement bloquée et retenue pour prévenir sa chute. L'omission de procéder ainsi peut entraîner la chute de la camionnette et causer des blessures sévères, voire la mort.

11. Retirer la doublure de caisse en plastique s'il y a lieu. La doublure amovible en plastique sera découpée plus tard. (Voir Figure 15) Les doublures de caisse à vaporiser et les tapis de caisse inférieurs à 1/4 po d'épaisseur sont compatibles avec les instructions d'installation normales. Nota : Consulter l'installateur pour connaître le temps de durcissement recommandé des doublures à vaporiser avant de percer des trous dans le plancher de caisse.

ATTENTION :

S'assurer qu'il n'y a pas d'obstacles avant de percer. L'omission d'observer ce conseil peut causer l'endommagement des conduites de carburant ou de frein, des éléments structuraux, etc. CEQUENT PERFORMANCE PRODUCTS, Inc. fait de son mieux pour communiquer les modifications des constructeurs des véhicules de remorquage; cependant, il est ultimement de la responsabilité de l'installateur de prévenir les dommages associés à l'installation.

12. Utiliser seulement les boulons, écrous et rondelles fournis par CEQUENT PERFORMANCE PRODUCTS, Inc. pour installer ce produit. Tous les boulons et les écrous sont de grade 8 sauf indication contraire.
13. Ces instructions sont destinées au modèle Ford Super Duty 2011 à plateforme de 6 à 8 pi. Chaque support de cadre doit être boulonné au cadre du véhicule à l'aide de deux boulons.

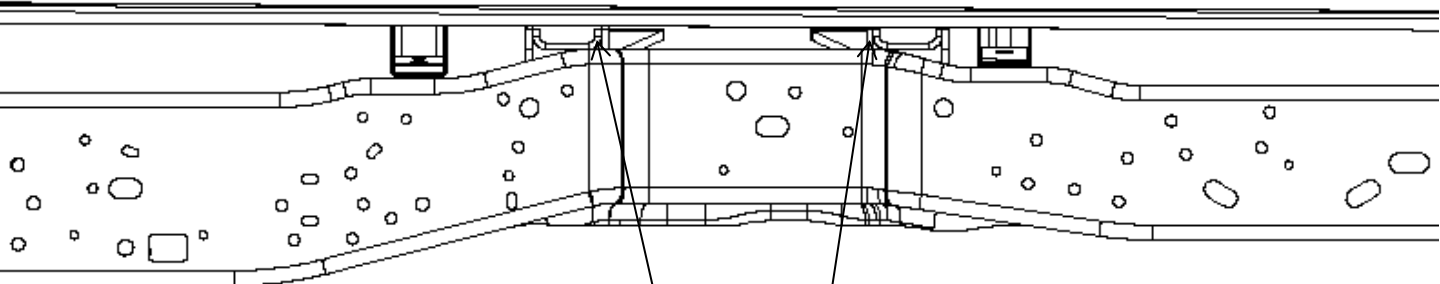
ATTENTION :

Ces instructions servent à vous guider seulement. L'installation relève de la responsabilité de l'installateur et du propriétaire. Toujours mesurer la camionnette et la remorque avant d'installer l'attelage pour s'assurer que le dégagement à la cabine et au pare-chocs est suffisant pour permettre les virages.

14. Percer des trous de guidage de 1/8 po dans la plateforme de la camionnette au niveau des empreintes (dimensions approx. à la Figure 15). L'empreinte du centre ne sert que pour les attelages col-de-cygne. (Voir les instructions concernant l'attelage col-de-cygne s'il y a lieu.) Les empreintes sont faites en usine. Si les empreintes sont absentes, se reporter à la Figure 15 de la page 9. Utiliser une scie-cloche 2 3/4 po pour percer aux emplacements des trous de guidage. Nota : Consulter l'installateur pour connaître le temps de durcissement recommandé des doublures à vaporiser avant de percer des trous dans le plancher de caisse. Facultatif : Vaporiser sous le revêtement autour des trous de 2 3/4 po afin de prévenir la corrosion.
15. Repérer l'endroit où les traverses de montage seront insérées au-dessus de la roue arrière côté conducteur. Deux profilés en forme d'oméga supportent la plateforme au-dessus de la roue arrière. Les traverses de montage seront insérées derrière le profilé oméga situé à l'avant, FIGURE 8 à la page 6. Pour créer le dégagement permettant d'insérer les traverses, retirer les boulons de plateforme côté conducteur, desserrer les boulons de plateforme côté passager à l'aide d'un embout T50 torx (n 14) (Figure 1), et soulever la plateforme côté conducteur à l'aide de cales.

⚠ AVERTISSEMENT :

Surveiller la conduite d'essence et le câblage lors du soulèvement.

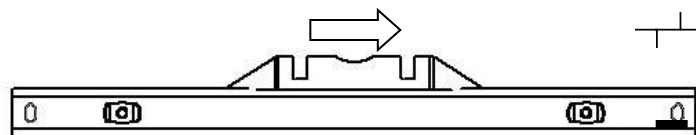


Avant du véhicule

Position des traverses

Figure 8

16. Insérer les traverses (#1) selon les étapes suivantes (Figures 9 à 11). Insérer les traverses côté plat vers le haut.



Étape 16A : Insérer la première traverse de montage depuis la roue arrière côté conducteur, bien au-dessus du cadre. Appuyer la traverse sur les deux longerons de châssis (Figure 9).

Avant du véhicule

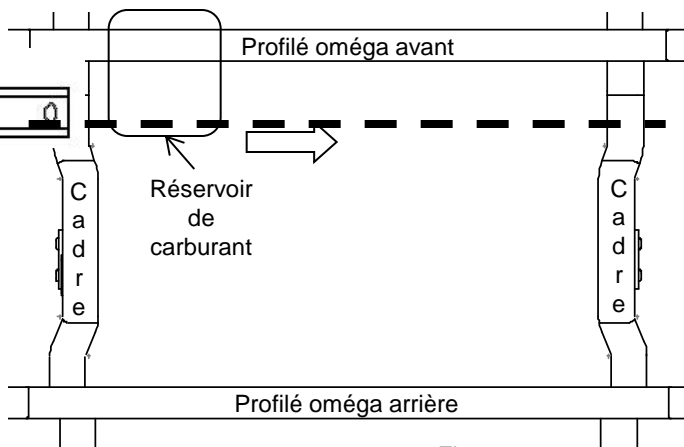


Figure 9

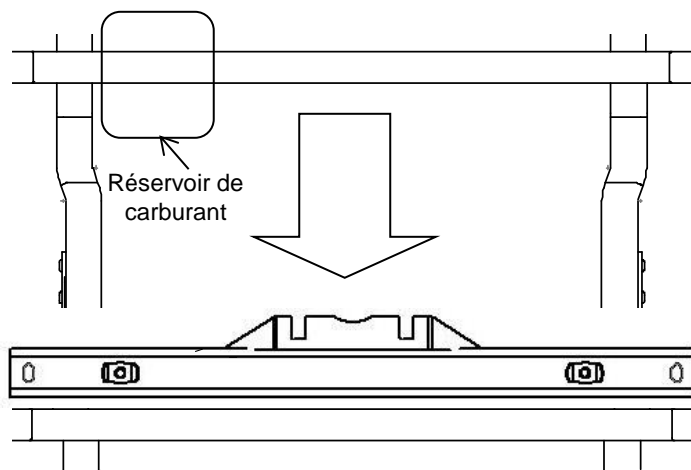
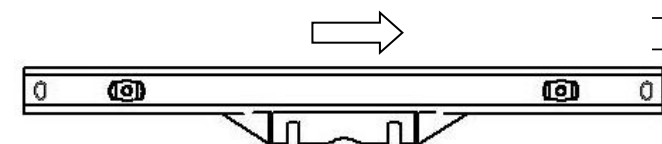


Figure 10

Étape 16B : Faire glisser la traverse vers l'arrière, parallèlement à l'essieu, toujours en appui sur les deux longerons et aussi près que possible du profilé oméga arrière (Figure 10).



Étape 16C : Insérer la deuxième traverse de montage depuis la roue arrière côté conducteur, bien au-dessus du cadre. Appuyer la traverse sur les deux longerons de châssis (Figure 11).

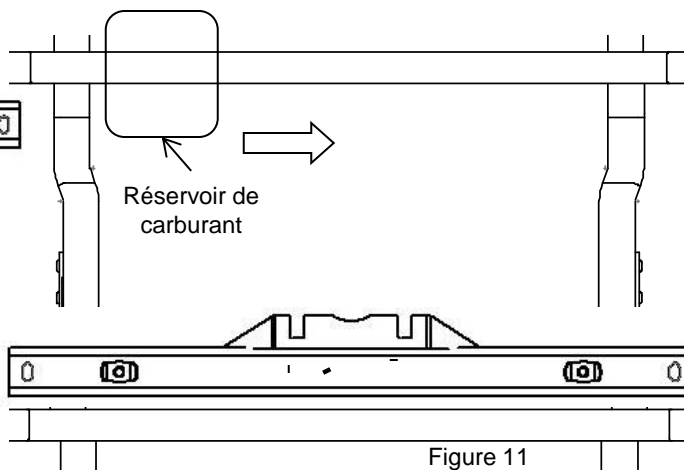


Figure 11

Étape 16D : Après l'installation, une traverse de montage doit faire face à l'arrière et l'autre, à l'avant. Les traverses doivent être centrées avec leurs deux extrémités reposant uniformément sur le cadre.

17. Fixer sans trop serrer les supports de cadre (#2 et 3) (Figure 1) aux traverses de montage à l'aide de boulons longs 5/8" X 1 3/4" (#10) (Figure 1) , de rondelles coniques (#11) (Figure 1) (sous le support), de rondelles coniques (#11) (à l'intérieur de la traverse) et d'écrous 5/8" (#9) (à l'intérieur de la traverse) (Figure 12). Serrer tous les boulons de montage à la main.

⚠ AVERTISSEMENT :
NE PAS lubrifier les filets des boulons. Cela peut causer la défaillance des boulons.

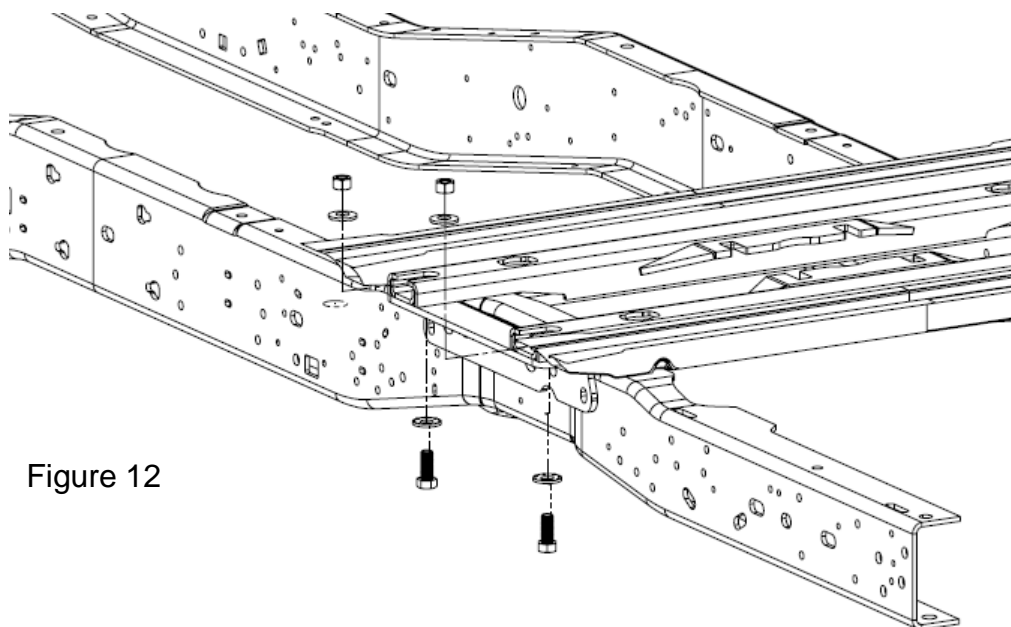


Figure 12

ATTENTION :

Assurez-vous qu'il n'y a pas d'obstacles avant de percer. Le défaut d'observer ce conseil peut endommager des conduites de carburant ou de frein, des éléments structuraux, etc. CEQUENT PERFORMANCE PRODUCTS, Inc. fait de son mieux pour communiquer les modifications des constructeurs de véhicules ; cependant, il est ultimement de la responsabilité de l'installateur de prévenir les dommages associés à l'installation.

18. Sans trop serrer, fixer les supports de cadre dans les trous existants du cadre de châssis à l'aide de boulons M14 1.5 x 45 (#10), de rondelles coniques (#11) (Figure 1) et d'écrous à embase (#12) (Figure 1). Serrer à la main (Figure 13). Le soulèvement de la plateforme de la camionnette facilitera l'accès aux écrous et boulons côté conducteur.

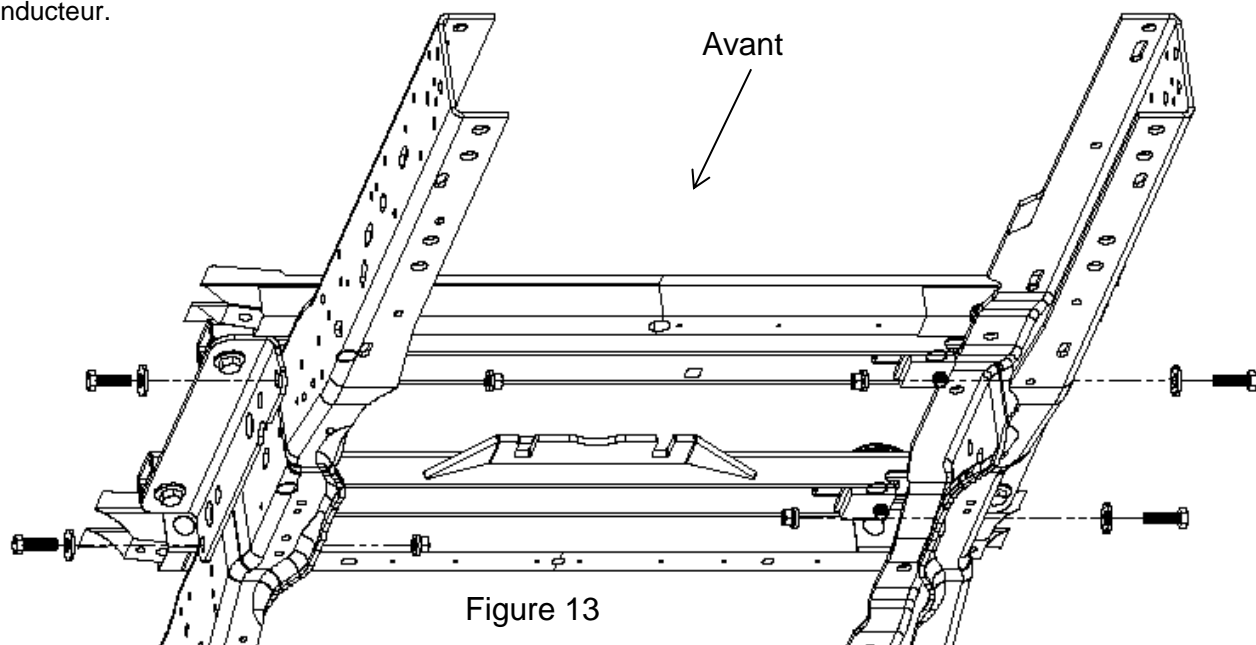


Figure 13

ATTENTION :

Assurez-vous qu'il n'y a pas d'obstacles avant de percer. Le défaut d'observer ce conseil peut endommager des conduites de carburant ou de frein, des éléments structuraux, etc. CEQUENT PERFORMANCE PRODUCTS, Inc. fait de son mieux pour communiquer les modifications des constructeurs des véhicules de remorquage ; cependant, il est ultimement de la responsabilité de l'installateur de prévenir les dommages associés à l'installation.

19. Abaisser puis aligner la plateforme, ainsi que les boulons et les trous des réceptacles .
20. Depuis la plateforme de la camionnette, fixer les réceptacles (#7) (Figure 1) et les anneaux de garniture (#8) (Figure 1) sur les traverses, comme illustré à la Figure 14 ci-dessous, à l'aide de vis à tête ronde 5/8 po (#5), de rondelles freins (#6) et d'une douille Allen 3/8 po. Serrer au couple de 110 lb-pi.
21. Placer la sellette sur les traverses et fixer en place.
22. Serrer d'abord tous les boulons hex. 5/8 po des traverses au couple de 150 lb-pi. Puis serrer tous les boulons M14 au couple de 140 lb-pi. Nota : Utiliser un cliquet à tête pivotante pour accéder à l'écrou côté conducteur depuis le dessus du cadre.
23. Remettre en place toute conduite de frein ou tout pneu de secours qui a pu être enlevé ou déplacé.
24. Serrer les boulons de plateforme qui ont été desserrés à l'étape 14 au couple de 75 lb-pi à l'aide d'un embout TORX T50 (#14) (FIGURE 1).

⚠ AVERTISSEMENT :

NE PAS lubrifier les filets des boulons. Cela peut causer la défaillance des boulons.

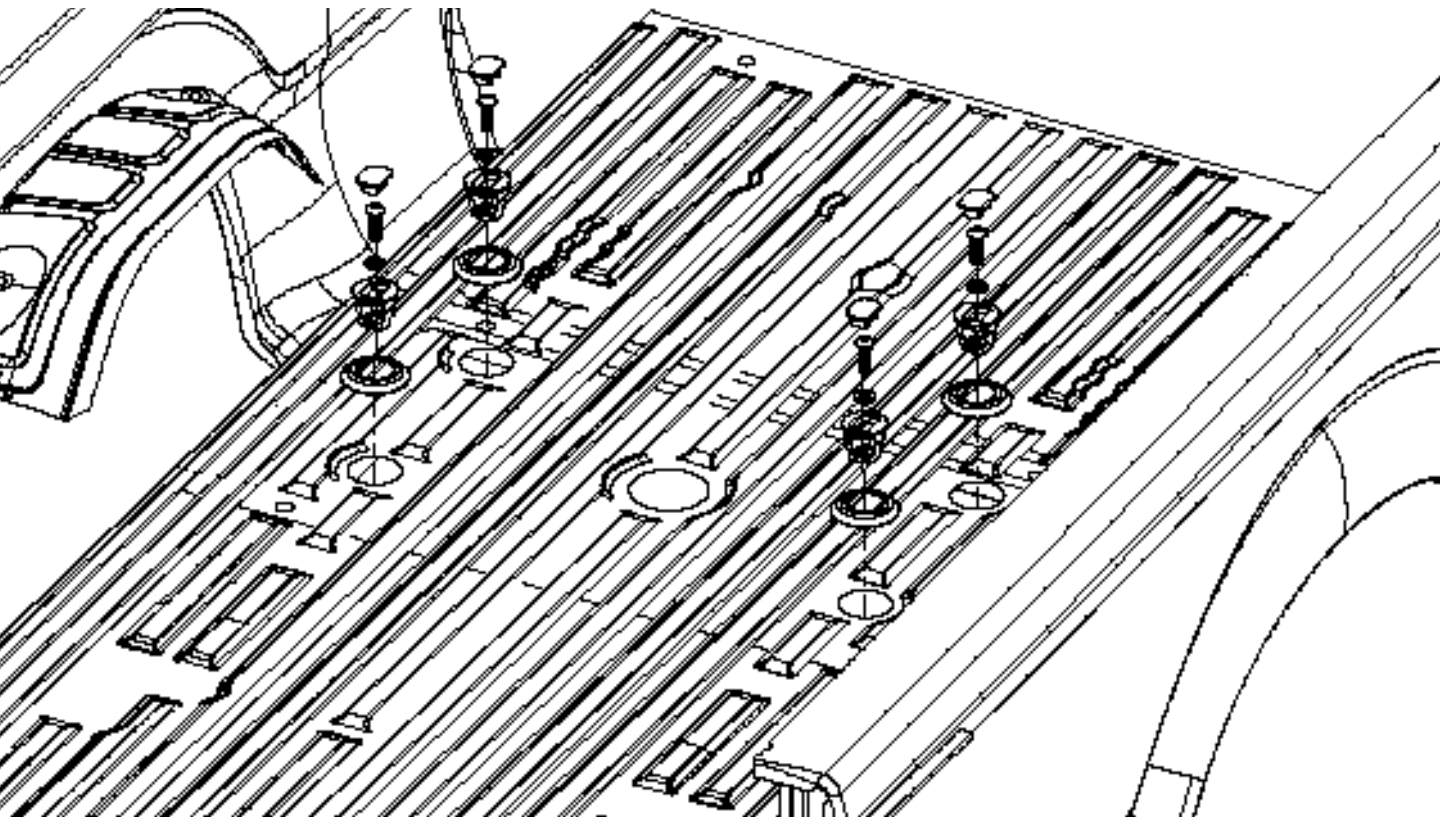
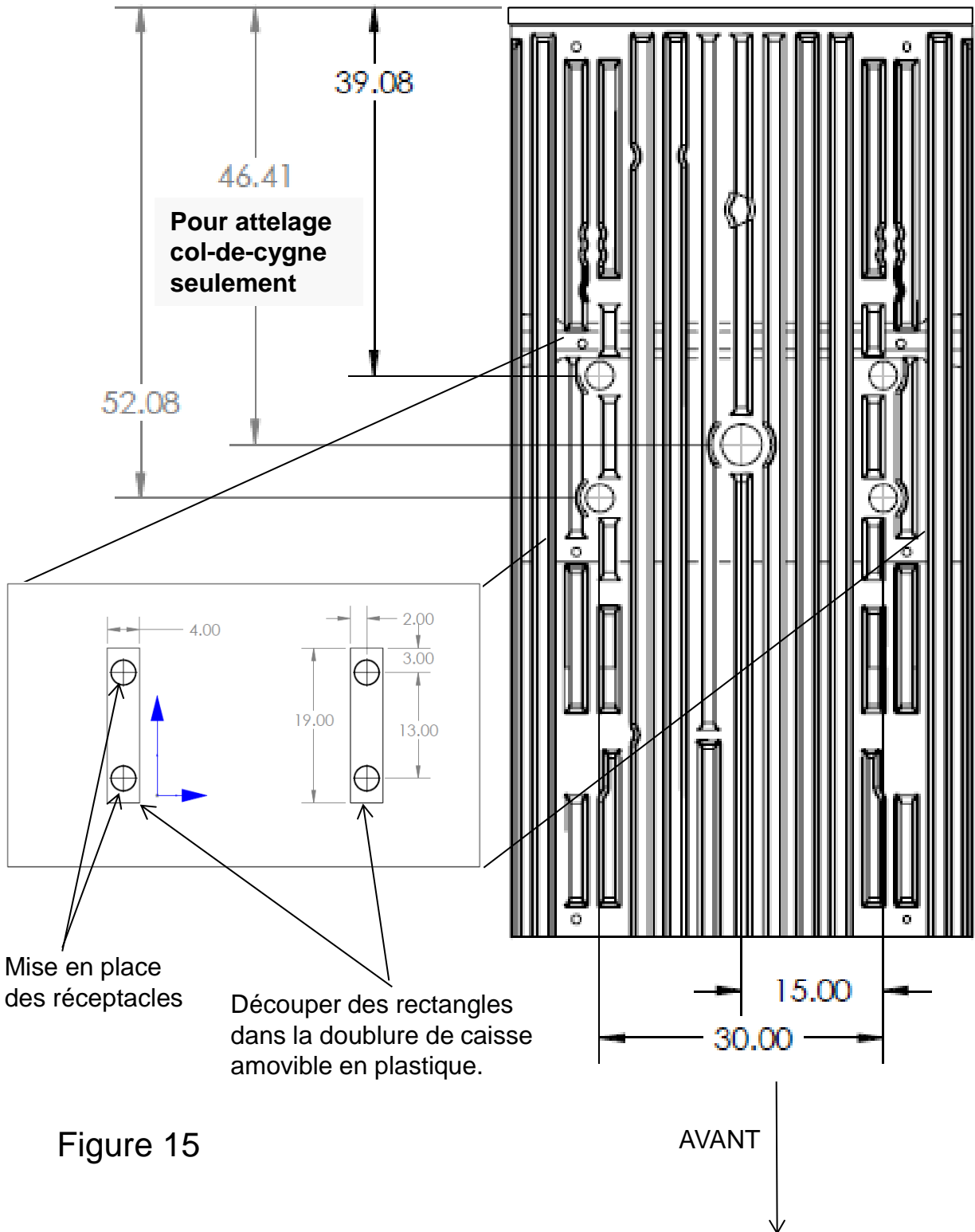


Figure 14



REMARQUES

GARANTIE À VIE LIMITÉE

Cequent Performance Products Inc. ("nous") garantit la série Elite 5ème roue attelage Kits de montage à l'acquéreur initial uniquement ("Vous") que le produit sera exempt de défauts de matériau dans les deux matériaux et de fabrication, usure ordinaire prévu ; à condition que l'installation et l'utilisation du produit est conforme aux instructions du produit. Il n'existe aucune autre garantie, expresse ou implicite, y compris la garantie de qualité marchande ou d'adéquation à un usage particulier. Cette garantie n'est pas transférable.

Cette garantie ne couvre pas : (a) et à l'usure normale du produit; (b) dommages causés par l'abus, la négligence, l'abus, ou à la suite de tout accident ou de toute autre manière; (c) les dommages d'un usage impropre, à une surcharge ou une mauvaise installation; (d) un mauvais entretien et la réparation; et (e) altération du produit de quelque manière que ce soit par quelqu'un d'autre que nous, à la seule exception de modifications apportées conformément aux instructions du produit et d'une manière professionnelle.

Pour faire une réclamation de garantie, contactez-nous à notre adresse principale de 47912 drisse Dr. Suite 100, Plymouth, MI 48170, 1-800 -521-0510, identifier le produit par numéro de modèle, et suivez les instructions de réclamation qui sera fourni. Tout produit retourné c'est remplacé par Us devient notre propriété. Vous serez responsable des frais de réexpédition. Veuillez conserver votre preuve d'achat pour vérifier date d'achat et que vous êtes l'acquéreur initial. Le produit et la réception d'achat doivent nous être fournis afin de traiter votre demande de garantie.

Produit de remplacement est votre unique recours en vertu de cette garantie. Nous ne saurait être tenu responsable de service ou travail frais engagés en retrait ou remplacement d'un produit ou de tout dommages accessoires ou indirects de tout genre.

Vous reconnaissez et acceptez que toute utilisation du produit à des fins autres que l'usage spécifié(s) indiqué dans les instructions d'installation et d'utilisation du produit est à vos propres risques.

Cette garantie vous donne des droits juridiques spécifiques et vous pouvez également avoir d'autres droits qui varient d'un état à l'autre. Cette garantie est régie par les lois de l'État du Michigan, sans égard aux règles relatives aux conflits de lois. Les tribunaux d'état situé à Oakland County, dans le Michigan a compétence exclusive pour les litiges relatifs à la présente garantie.

Cequent Performance Products, Inc.
47912 Halyard Dr, #100
Plymouth, MI 48170

INSTRUCCIONES DE INSTALACIÓN

KIT DE MONTAJE

FORD F250/F350/F450

HD/SD

Bases de 6' y 8'

**NÚMERO DE
PARTE**

30126

NO SUPERE LA CALIFICACIÓN DEL FABRICANTE DEL VEHÍCULO PARA EL REMOLQUE DE QUINTA RUEDA O EL PESO BRUTO MÁXIMO DEL REMOLQUE DE 25,000lb. / 11,340kg Y UN PESO MÁXIMO DEL KING PIN DE 6,250lb. / 2,835kg.

***Lea y entienda estas instrucciones antes de la instalación.**

CONCESIONARIO/INSTALADOR:

USUARIO FINAL:

- (1) Entregue este manual al usuario final.
 - (2) Demuestre físicamente los procedimientos en este manual al usuario final.
 - (3) Pida al usuario final que le demuestre que entiende los procedimientos.
-
- (1) Lea y siga este manual todas las veces que use su enganche.
 - (2) Guarde este Manual para referencia futura.
 - (3) Distribuya copias de este manual a cualquier otro usuario o propietario del enganche.

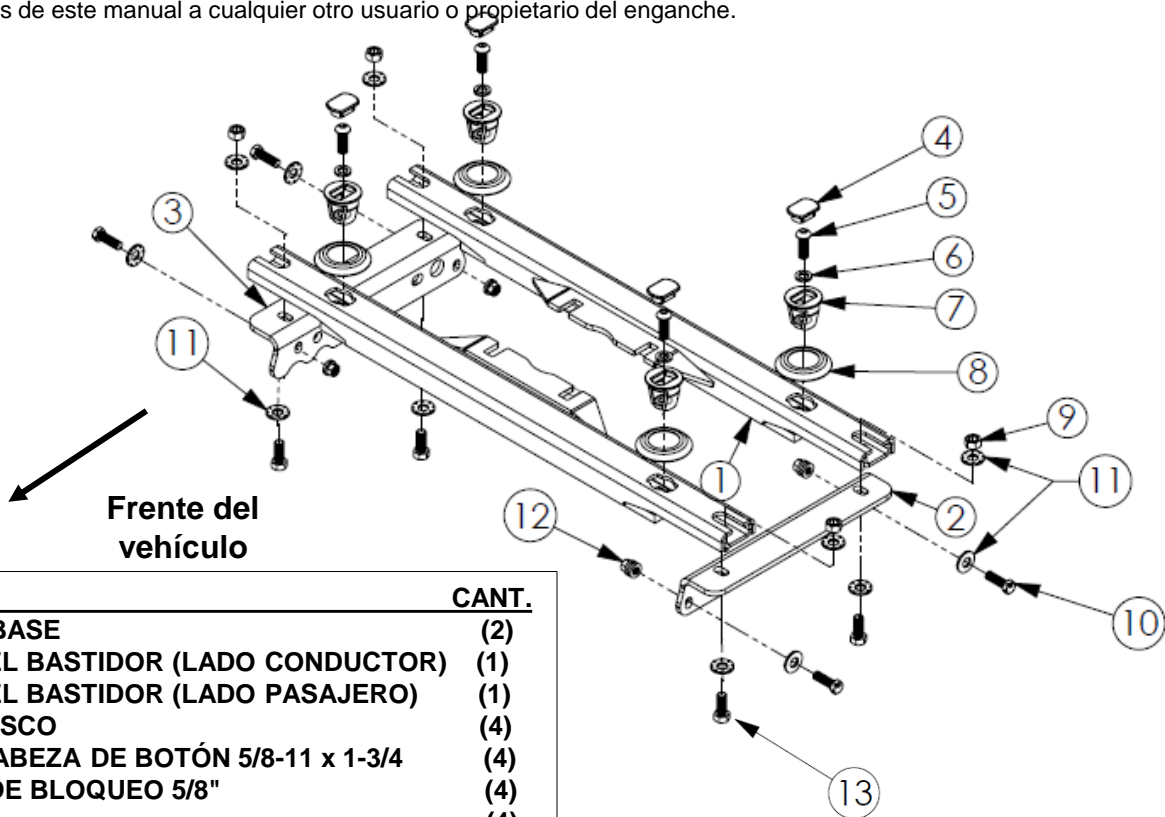
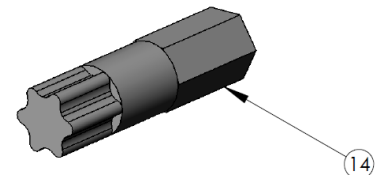


Figura 1



PARTE	CANT.
1. LARGUERO BASE	(2)
2. SOPORTE DEL BASTIDOR (LADO CONDUCTOR)	(1)
3. SOPORTE DEL BASTIDOR (LADO PASAJERO)	(1)
4. TAPÓN DE DISCO	(4)
5. TORNILLO CABEZA DE BOTÓN 5/8-11 x 1-3/4	(4)
6. ARANDELA DE BLOQUEO 5/8"	(4)
7. DISCO	(4)
8. ARO DECORATIVO	(4)
9. TUERCA HEXAGONAL GRADO 8 5/8"-11	(4)
10. PERNO M14 X 1.5 X 45 CL10.9	(4)
11. ARANDELA CÓNICA 5/8"	(12)
12. TUERCA CON REBORDE - M14 x 1.5	(4)
13. PERNO HEXAGONAL GRADO 8 5/8" x 1-3/4	(4)
14. BROCA Torx T50	(1)

Para Servicio al Cliente llame al 1-888-521-0510.

⚠ ADVERTENCIA:

¡No seguir estas instrucciones puede resultar en la muerte o en lesiones serias!

ÍNDICE

- | | |
|--|--------|
| 1. PAUTAS PARA AJUSTAR EL VEHÍCULO DE REMOLQUE Y EL REMOLQUE | P. 2-4 |
| 2. INSTRUCCIONES DE ENSAMBLE | P. 5-9 |
| 3. GARANTÍA LIMITADA DE POR VIDA CEQUENT PERFORMANCE PRODUCTS, INC | P. 10 |

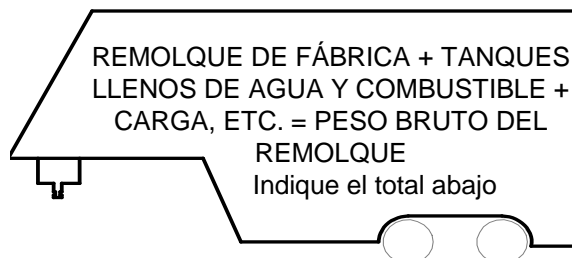
PAUTAS PARA AJUSTAR EL VEHÍCULO DE ENGANCHE Y EL REMOLQUE

⚠ ADVERTENCIA:

No revisar o no seguir las calificaciones de remolque podría resultar en daño al vehículo de remolque o separación del vehículo y remolque durante el desplazamiento.

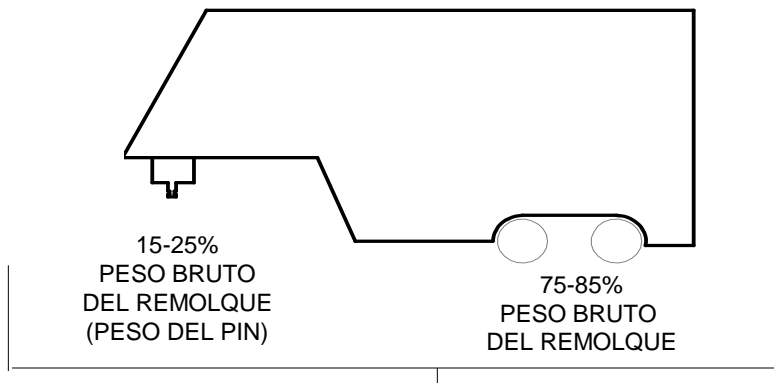
- El remolque y su contenido combinados no deben exceder las calificaciones del vehículo, enganche y/o remolque.
- El vehículo de remolque debe tener una capacidad de remolque establecida por el fabricante que sea igual o superior al peso bruto del remolque (peso seco del remolque más la carga útil del remolque). (Figura 2)
- El peso bruto del remolque no debe superar la calificación del enganche de quinta rueda.
- El peso del king pin no debe superar la calificación de la quinta rueda (Figura 3). Si tiene dudas haga que un técnico calificado pese el king pin.

Figura 2



1. Peso máximo bruto del remolque: **25,000 lb / 11,340kg.**
Calificación del remolque del vehículo: _____
Peso bruto total calculado del remolque (Figura 2): _____
***El peso del remolque debe ser el inferior de estas calificaciones registradas para unas condiciones seguras.**
2. Los enganches de Cequent Performance Products, Inc. Esta enganche está diseñado únicamente para uso con remolques recreativos de quinta rueda .
3. Use únicamente un king pin SAE de 2 pulgadas con su Enganche de Quinta Rueda *RESE™ Elite® Series*
4. Aproximadamente 15%-25% del peso del remolque debe estar en el enganche (peso del Pin)(Figura 3).

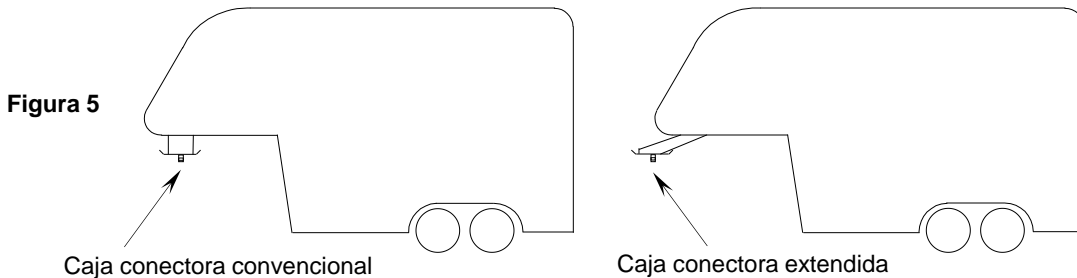
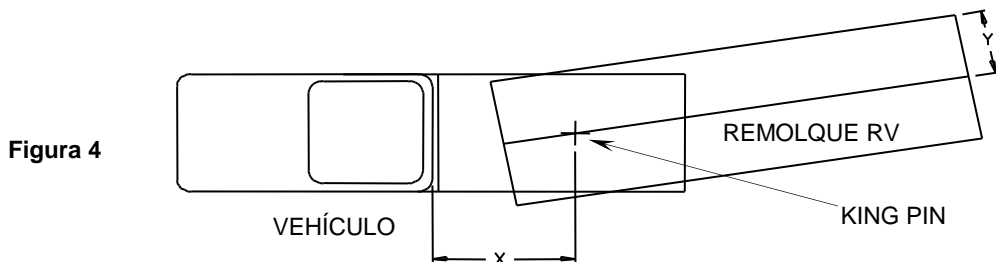
Figura 3



5. Los vehículos vienen en muchas configuraciones diferentes. Los enganches de Cequent Performance Products, Inc. están diseñados para uso en vehículos livianos como la serie Ford F, los Chevy Silverado y los Dodge Ram. Cequent Performance Products, Inc. recomienda el uso de vehículos livianos con bases de 6 pies de largo o mayores para la mejor combinación en el despeje de giros de vehículo - remolque. Consulte el sitio Web para la aplicación del vehículo.

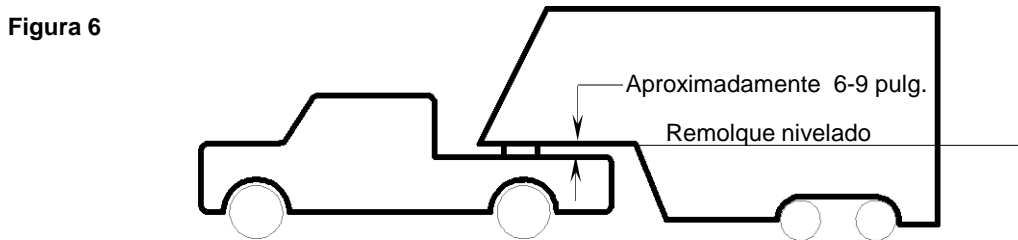
NOTA: Para evitar que el remolque golpee la cabina con un giro de 90°, el centro del enganche debe estar al menos a 52 pulgadas desde la parte posterior de la cabina cuando se use un vehículo de base larga. (La distancia real requerida dependerá del ancho del remolque y de la ubicación del king pin.) Los vehículos de base más corta (mínimo 38 pulgadas desde la cabina posterior hasta la línea del eje central) requieren una caja conectora extendida de un mínimo de 13 pulgadas (Figura 5) o una caja conectora SIDEWINDER™ o ensamble de enganche con deslizador para maniobras normales.

Regla de oro: La distancia desde la parte posterior de la cabina del vehículo hasta el centro del eje del vehículo posterior ("X" en la Figura 4), debería ser aproximadamente 4 pulgadas mayor que la mitad del ancho del remolque (Y" en la Figura 4)



⚠ ADVERTENCIA:
¡No instale este enganche de quinta rueda ni intente remolcar con un vehículo tipo pickup de base corta inferior a 6 pies, a menos que el remolque esté equipado con una caja conectora Sidewinder™!

6. La altura del enganche y de la caja de conectores se debe ajustar de manera que el remolque esté nivelado aproximadamente a medida que se remolca. Permita aproximadamente 6 - 9 pulgadas de despeje entre la parte superior de los largueros base y la parte inferior del frente del remolque para el cabeceo y rollido del remolque. (Figura 6) Permita más despeje entre las paredes de la camioneta y el remolque para uso fuera de la carretera.



PRECAUCIÓN:
 Las medidas anteriores son pautas. Si sus medidas están cercanas a estos números, vuelva a revisar los despejes. Si el vehículo y/o el remolque tiene cualquier accesorio agregado cerca a la base (por ejemplo protectores de faros, desviadores de aire, efectos en el piso, largueros base, celdas de combustible, caja de herramientas, etc.), se deben hacer revisiones adicionales de despeje y dimensionamiento.

7. Determinación de la altura del enganche:

Con el remolque nivelado y sobre terreno plano mida desde el piso hasta la base de la caja del king pin ("A" en la **Figura 7**). Luego, mida la altura del interior de la base del vehículo hasta el piso ("B" en la **Figura 7**). Determine la cantidad de despeje sobre los largueros laterales ("C" y "D" en la **Figura 7**).

$$\text{Altura del enganche} = A - B + 2''^{**}$$

** El valor de 2" es un estimado de la compresión de suspensión debido al peso del king pin del remolque. Esta compresión podría oscilar entre 1"-5" dependiendo del vehículo y remolque que se usen.

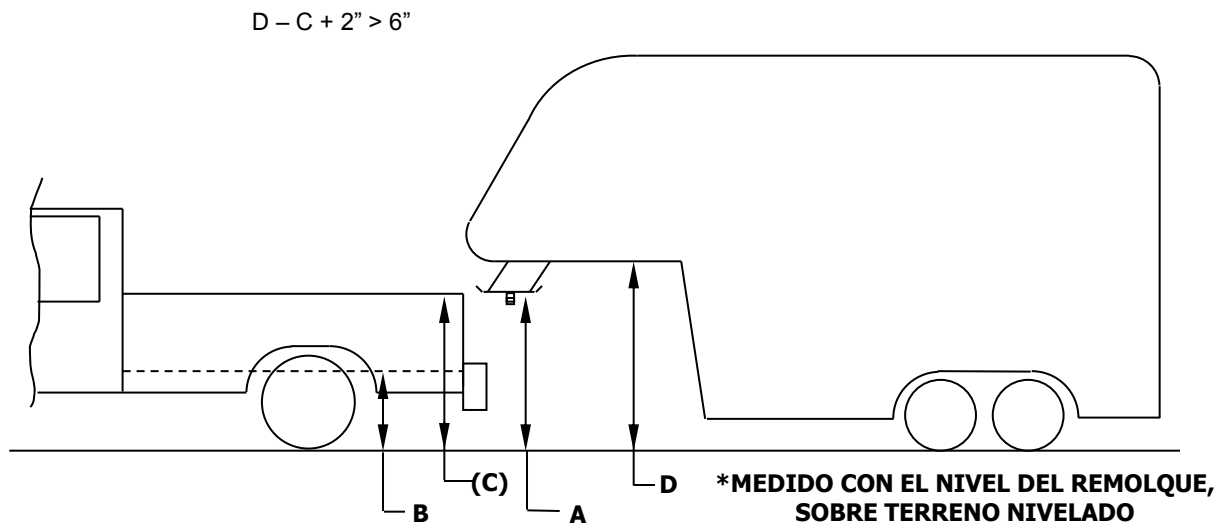


Figura 7

8. Si se va a usar una placa de lubricación con una Quinta Rueda REESE™ *Elite*® debe tener al menos 12" de diámetro. Cequent Performance Products, Inc. ofrece esta placa de lubricación opcional como parte No. 83001.

⚠ ADVERTENCIA:

- La conexión del cableado del remolque debe ser en el costado de la base del vehículo entre el asiento del conductor y la rueda posterior para evitar que los operadores trabajen entre el vehículo y el remolque.
- Evite colocar cualquier parte de su cuerpo debajo del remolque o entre el vehículo y el remolque. El movimiento no esperado o accidental del vehículo o el remolque puede causar lesiones serias o muerte.
- Si debe colocar cualquier parte de su cuerpo debajo del remolque o entre el vehículo y el remolque, usted **DEBE** realizar **TODOS** los pasos siguientes:
 - Revise que la transmisión del vehículo esté en posición de estacionamiento
 - Revise que el freno de emergencia esté activado
 - Coloque bloques al frente y detrás de todas las llantas del remolque
 - Revise que el tren de apoyo del remolque esté apoyado en terreno firme

INSTRUCCIONES GENERALES PARA LA INSTALACIÓN DE LA QUINTA RUEDA

HERRAMIENTAS

Broca 1/8"	Llave abierta y de tubo 15/16"
Broca Torx T50IP (suministrada con el kit)	Llave de torsión 200 lb-pies
Mazo de goma	Sierra de copa 2-3/4"
Llave abierta y de tubo 21mm	Llave abierta y de tubo 19mm
Alicates de sujeción	Trinquete de cabeza giratoria 1/2"

¡PRECAUCIÓN!

Lea las páginas 2-4 de estas instrucciones antes de empezar la instalación. ¡No hacerlo podría resultar en daños significativos al vehículo!

- Las siguientes instrucciones se deberán usar para instalar el kit de montaje de la quinta rueda. La atención a los detalles garantizará una instalación rápida de calidad. Revise las partes contra la lista para familiarizarse con las partes del kit. **(Figura 1)**
- Levante la parte posterior del vehículo lo suficiente para permitir que las bases del gato se coloquen debajo del soporte colgante posterior de resorte del vehículo. Esto permitirá espacio máximo para instalar los soportes de la quinta rueda.

⚠ ADVERTENCIA:

Si el vehículo se levanta, verifique que el vehículo esté correctamente bloqueado y restringido para evitar que se caiga. No hacerlo podría resultar en la caída repentina del vehículo, y causar la muerte o lesiones serias.

- Retire el forro plástico de la base si corresponde.** Los forros plásticos de aplicación directa de la base se recortarán después. (Ver **Figure 15**) Los forros y alfombras de la base de aplicación con spray de menos de 1/4" de espesor funcionarán según las instrucciones normales de instalación. **Nota:** Consulte con el instalador los tiempos de curado recomendados para los forros aplicados con spray antes de recortar los orificios en la base.

PRECAUCIÓN:

Revise en busca de obstrucciones antes de perforar. No hacerlo podría resultar en daños a las líneas de combustible o frenos, miembros estructurales etc. **CEQUENT PERFORMANCE PRODUCTS, Inc. intenta al máximo comunicar los cambios del fabricante del vehículo de remolque; sin embargo, es finalmente responsabilidad del instalador evitar daños por causa de la instalación.**

- Use únicamente los pernos, tuercas y arandelas suministrados por CEQUENT PERFORMANCE PRODUCTS, Inc. para instalar este kit. Todos los pernos y tuercas son Grado 8 a menos que se especifique lo contrario.
- Estas instrucciones están diseñadas para el Ford Super Duty 2011 con bases de 6 a 8 pies. Cada soporte del bastidor se debe atornillar al bastidor del vehículo con dos pernos.

PRECAUCIÓN:

Estas instrucciones son pautas únicamente. La instalación real es responsabilidad del instalador y del propietario. Siempre mida el vehículo y el remolque antes de instalar el enganche para verificar que haya espacio en la cabina y en el parachoques para permitir los giros.

- Perfore orificios piloto de 1/8" en la base del vehículo en las ubicaciones hendidas en el exterior (dimensiones aproximadas de **Figura 15**). La hendidura del medio es para la bola de ganso únicamente. (Ver las instrucciones del cuello de ganso si corresponde) Estas ubicaciones hendidas se colocan en la fábrica. Si no hay hendiduras presentes, consulte la **(Figura 15)** que se encuentra en la página 9. Use una sierra de copa de 2 3/4" para cortar el orificio en los orificios piloto. **Nota:** Consulte con el instalador los tiempos de curado recomendados para los forros aplicados con spray antes de recortar los orificios en la base. **Opcional:** Rocíe debajo de las capas alrededor de los orificios de 2 3/4" para evitar la corrosión.
- Localice el área donde se insertarán los largueros base por encima de la rueda posterior en el lado del conductor. Hay dos canales de perfil que apoyan la base del vehículo sobre la rueda posterior. Los largueros base se insertarán en la ubicación detrás del canal de perfil delantero **(FIGURA 8)** que se encuentra en la página 6. Para crear distancia para insertar los largueros retire los pernos de la base del lado del conductor, afloje los pernos de la base del lado del pasajero con una broca Torx T50 (#14) **(Figura 1)**, y bloquee la base del lado del conductor.

⚠ ADVERTENCIA:

Tenga cuidado con la línea de combustible y cables mientras se esté elevando.

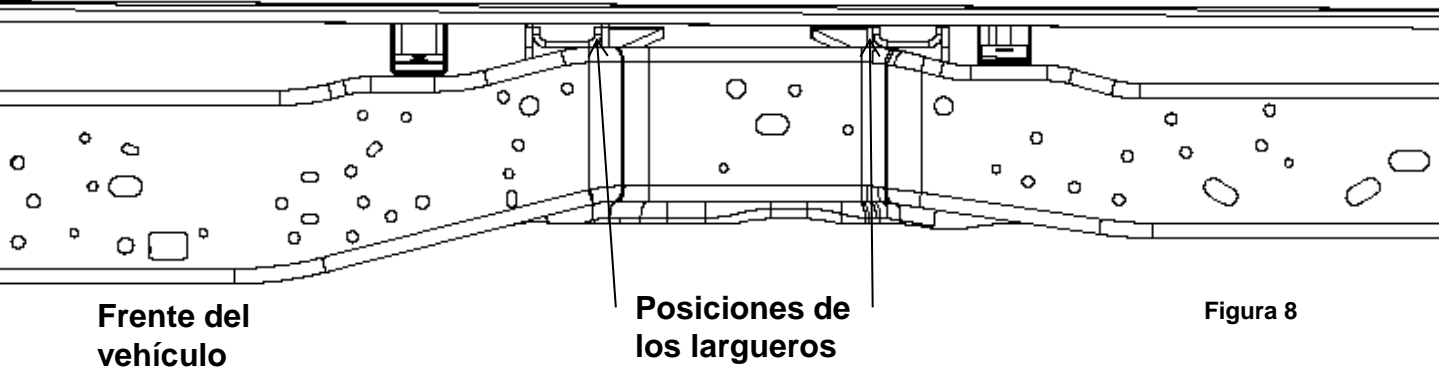
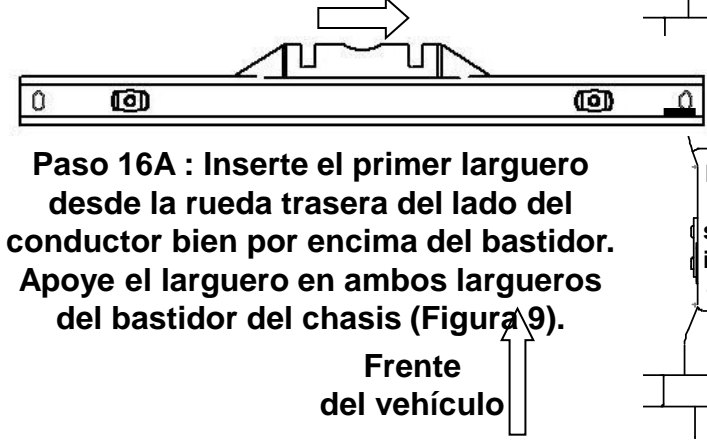


Figura 8

16. Inserte los largueros (#1) como se muestra en los siguientes pasos (Figuras 9 hasta 11). Los largueros se deben insertar con el lado plano hacia arriba.



Paso 16A : Inserte el primer larguero desde la rueda trasera del lado del conductor bien por encima del bastidor. Apoye el larguero en ambos largueros del bastidor del chasis (Figura 9).

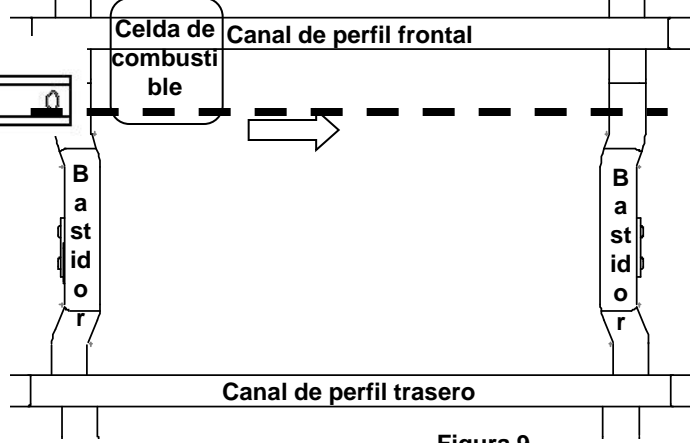
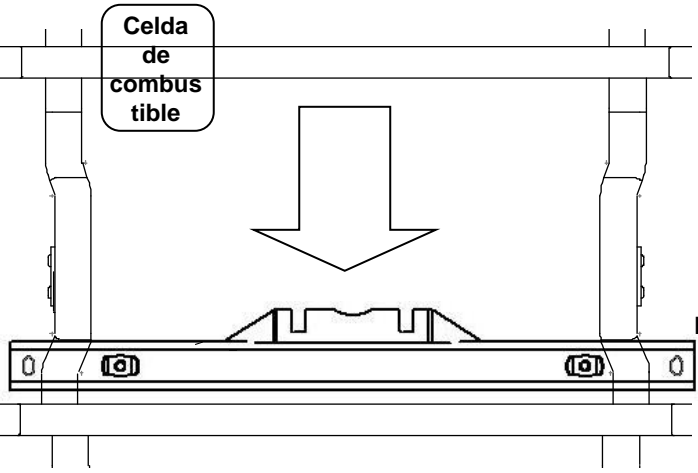
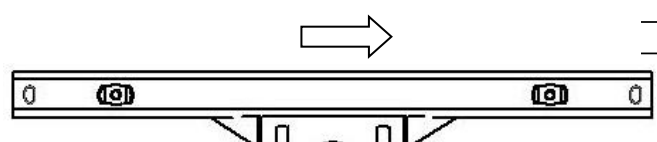


Figura 9



Paso 16B : Deslice el larguero hacia atrás, paralelo con el eje, apoyando en ambos largueros del bastidor, y lo más cerca posible al canal de perfil posterior (Figura 10).

Figura 10



Paso 16C : Inserte el segundo larguero desde la rueda trasera del lado del conductor bien por encima del bastidor. Apoye el larguero en ambos largueros del bastidor del chasis (Figura 11).

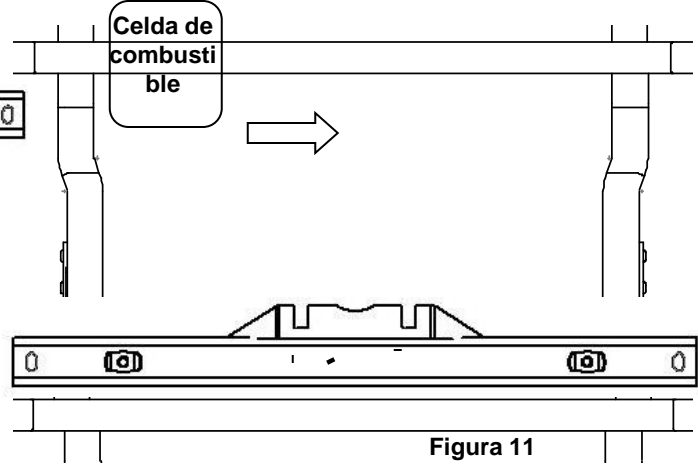


Figura 11

Paso 16D : Un larguero debería estar orientado hacia atrás y el otro hacia adelante de la instalación. Los largueros se deben centrar con ambos extremos de cada larguero apoyados de manera uniforme en el bastidor.

17. Sin apretar instale los soportes del bastidor (#2 y 3) (Figura 1) a los largueros del kit de montaje, usando pernos de 5/8" X 1 3/4" (#10) (Figura 1) de largo y arandelas cónicas (#11) (Figura 1) (debajo del soporte), arandelas cónicas (#11) (larguero interior), y tuerca de 5/8" (larguero interior) (#9) (Figura 12). Apriete a mano todos los pernos del kit de montaje.

⚠ ADVERTENCIA:
NO lubrique las roscas. Podría causar falla de los pernos.

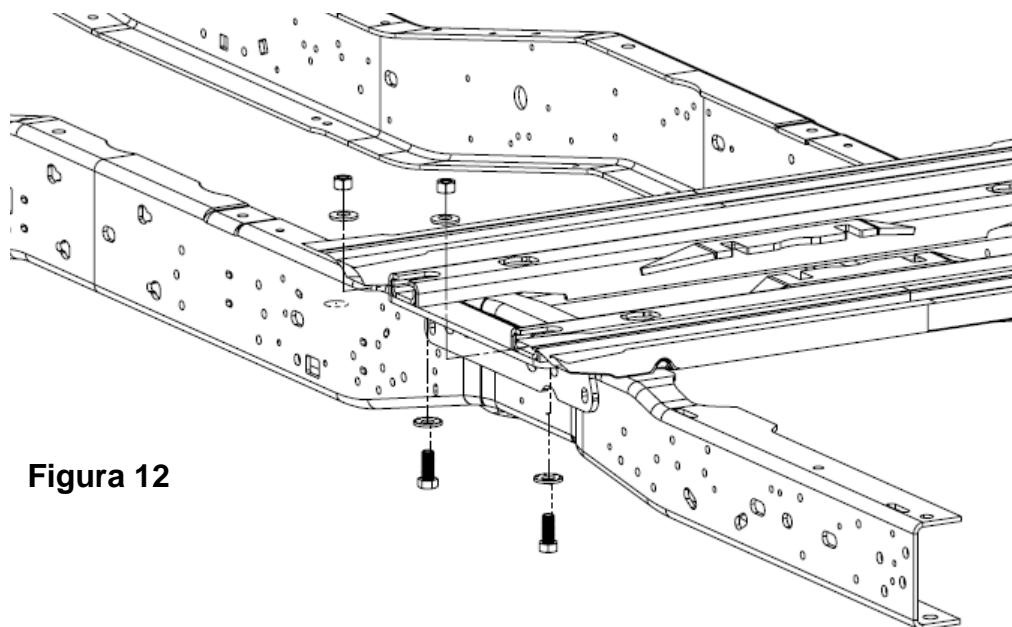


Figura 12

PRECAUCIÓN:
Revise en busca de obstrucciones antes de perforar. No hacerlo podría resultar en daños a las líneas de combustible o frenos, miembros estructurales etc. CEQUENT PERFORMANCE PRODUCTS, Inc. intenta al máximo comunicar los cambios del fabricante del vehículo de remolque; sin embargo, es finalmente responsabilidad del instalador evitar daños por causa de la instalación.

18. Sin apretar instale el soporte del bastidor a los orificios existentes del bastidor del chasis usando pernos M14 1.5 x 45 (#10), arandelas cónicas (#11) (Figura 1), y tuerca mariposa (#12) (Figura 1). Apriete a mano (Figura 13). Levantar la base del vehículo permite un acceso más fácil a la tuerca y perno del lado del conductor.

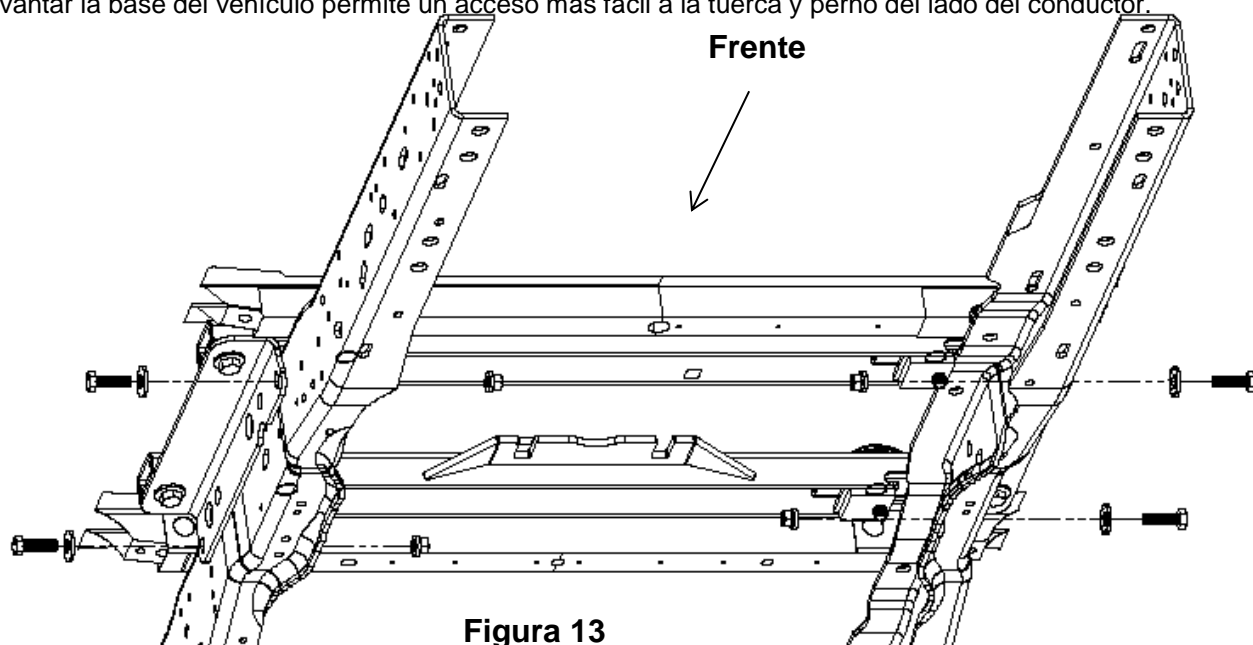


Figura 13

PRECAUCIÓN:

Revise en busca de obstrucciones antes de perforar. No hacerlo podría resultar en daños a las líneas de combustible o frenos, miembros estructurales etc. CEQUENT PERFORMANCE PRODUCTS, Inc. intenta al máximo comunicar los cambios del fabricante del vehículo de remolque; sin embargo, es finalmente responsabilidad del instalador evitar daños por causa de la instalación.

19. Baje y alinee la base, los pernos y los orificios para los discos, si es necesario.
20. Desde la base del vehículo instale los discos (#7) (**Figura 1**) y aros decorativos (#8) (**Figura 1**) a los largueros como se muestra en la **Figura 14** abajo usando un tornillo cabeza de botón de 5/8" (#5) y arandela de bloqueo (#6) usando 3/8in. Llave ALLEN Apriete a torsión a 110 pies-lbs..
21. Coloque la quinta rueda en el kit de largueros y asegure en su lugar.
22. Apriete a torsión todos los pernos hexagonales de 5/8" del kit de largueros a 150 pies-libras primero. Luego, apriete a torsión todos los pernos M14 a 140 pies-libras. **Nota:** Use un trinquete con cabeza giratoria para tener acceso a la tuerca delantera del lado del conductor desde el bastidor.
23. Reemplace cualquier línea de frenos y llanta de repuesto que se haya retirado/reubicado.
24. Apriete a torsión los pernos de la base que se aflojaron en el paso 14 a 75 pies-lbs con una BROCA TORX T50 (#14) (**FIGURA 1**).

⚠ ADVERTENCIA:
NO lubrique las roscas. Podría causar falla de los pernos.

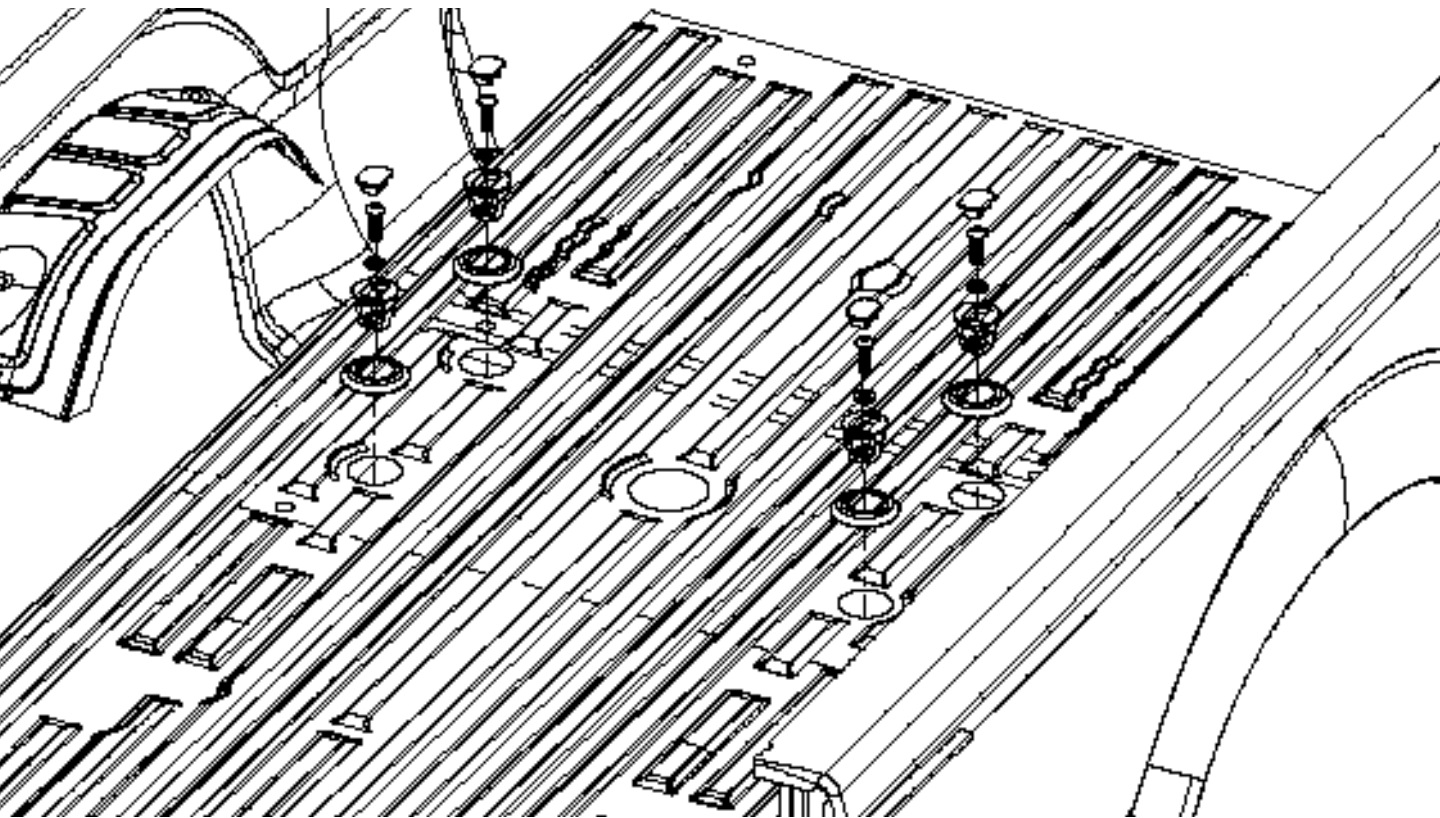


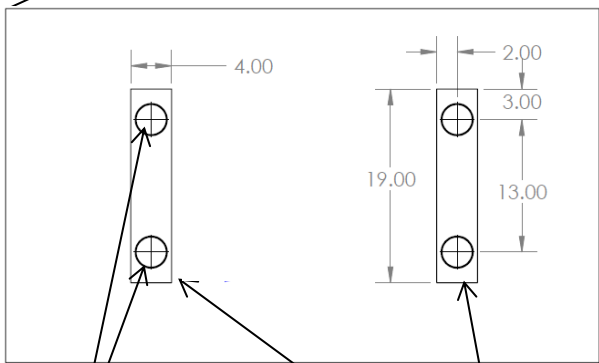
Figura 14

APLICACIONES DE CUELLO DE GANSO ÚNICAMENTE

46.41
GOOSNECK APPLICATION ONLY

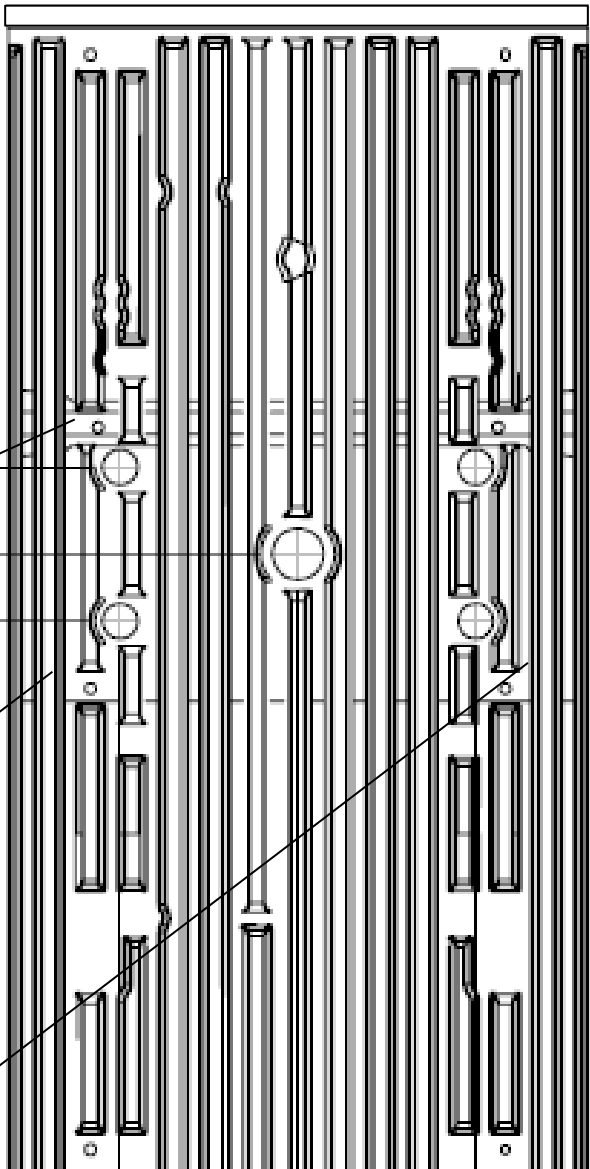
39.08

52.08



Colocación del disco

Corte rectángulos del forro de la base plástica desmontable.



15.00

30.00

ADELANTE/FRENTE

Figura 15



NOTAS:

GARANTÍA LIMITADA DE POR VIDA

Productos de alto rendimiento Cequent Inc. ("nosotros") garantiza la serie Elite 5ª rueda Kits de montaje del enganche al comprador original solamente ("usted") que el producto estará libre de defectos en material y mano de obra, uso y desgaste normal espera; siempre que la instalación y el uso del producto está en conformidad con las instrucciones del producto. No hay ninguna otra garantía, expresa o implícita, incluyendo la garantía de comerciabilidad o idoneidad para un propósito particular. Esta garantía no es transferible.

Esta garantía no cubre: (a) desgaste normal; (b) los daños a través del abuso, negligencia, uso indebido, o como resultado de un accidente o de cualquier otra forma; (c) daños causados por uso indebido, sobrecarga o instalación incorrecta; (d) mantenimiento inadecuado y reparación; y (e) alteración de cualquier producto de cualquier otra manera que nosotros, con la única excepción de los cambios efectuados con arreglo a las instrucciones del producto y de forma profesional.

Para realizar una reclamación de garantía, póngase en contacto con nosotros, a nuestra dirección principal de 47912 Halyard Dr. Suite 100, Plymouth, MI 48170, 1-800 -521-0510, identificar el producto con el número de modelo y, a continuación, siga las instrucciones de reclamación que serán proporcionados. Cualquier producto devuelto que es sustituido por nosotros se convierte en nuestra propiedad. Usted será responsable de la devolución los gastos de envío. Por favor, conserve el recibo de compra para verificar fecha de la compra, y que usted es el comprador original. El producto y el recibo de compra debe ser proporcionada a nosotros con el fin de procesar su reclamación de garantía.

Sustitución de los productos es su único recurso en virtud de la presente garantía. No nos haremos responsables de servicio o la mano de obra gastos extracción o sustitución de un producto o cualquier tipo de daños incidentales o de cualquier tipo.

Usted reconoce y acepta que el uso del producto para cualquier otro propósito que no sea el uso especificado(s) en las instrucciones del producto es a su propio riesgo.

Esta garantía le concede derechos legales específicos y también puede tener otros derechos que varían de estado a estado. Esta garantía se rige por las leyes del Estado de Michigan, sin tener en cuenta las normas relativas a los conflictos de leyes. Los tribunales del estado ubicado en Oakland County, Michigan tendrá jurisdicción exclusiva para todas las controversias relativas a la presente garantía.

Cequent Performance Products
47912 Halyard Dr. #100
Plymouth, MI 48170