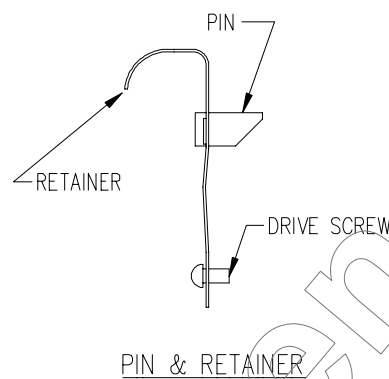


INSTRUCTIONS FOR INSTALLING NEW PINS AND RETAINERS

KIT CONTAINS:

- (2) PINS
- (2) RETAINERS
- (2) DRIVE SCREWS
- (1) INSTRUCTION SHEET

TOOLS NEEDED: SMALL CHISEL, 3/32" DIA. PIN PUNCH, HAMMER,
LARGE PIN PUNCH



CAUTION: EYE PROTECTION MUST BE WORN FOR THIS PROCEDURE

REPLACEMENT PROCEDURE:

1. REMOVE OLD RETAINER BY CUTTING OFF HEAD OF DRIVE SCREW WITH CHISEL
2. CAREFULLY DRIVE OUT REMAINING SHANK OF DRIVE SCREW USING 3/32" PIN PUNCH (SEE FIGURE 1).
3. PLACE NEW PIN IN SLOT OF NEW RETAINER WITH ANGLED NOSE FACING DOWN AS SHOWN IN FIGURE 2 AND POSITION PIN/RETAINER ASSEMBLY ON TUBE WITH PIN IN HOLE.
4. INSERT NEW DRIVE SCREW AND SEAT FULLY WITH LARGE PIN PUNCH

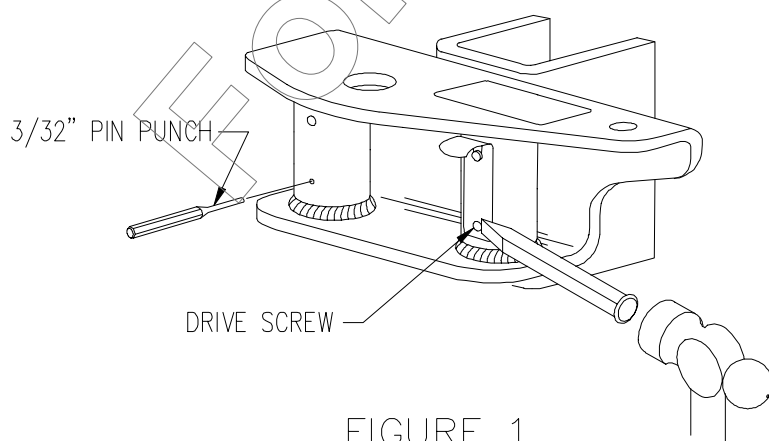


FIGURE 1

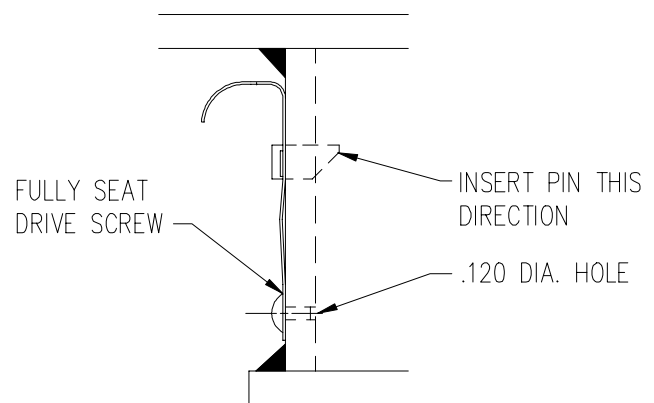


FIGURE 2