

INSTALLATION INSTRUCTIONS

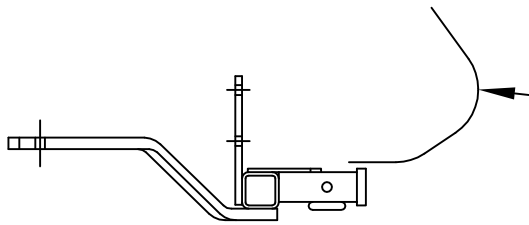
EQUIPMENT REQUIRED:

WIRING ACCESS LOCATION:

DRILL BITS: 1/2"

HITCH REQUIRES 1/2" PIN AND CLIP.

WRENCHES: (TIGHTEN ALL FASTENERS WITH TORQUE WRENCH) 13mm, 3/4

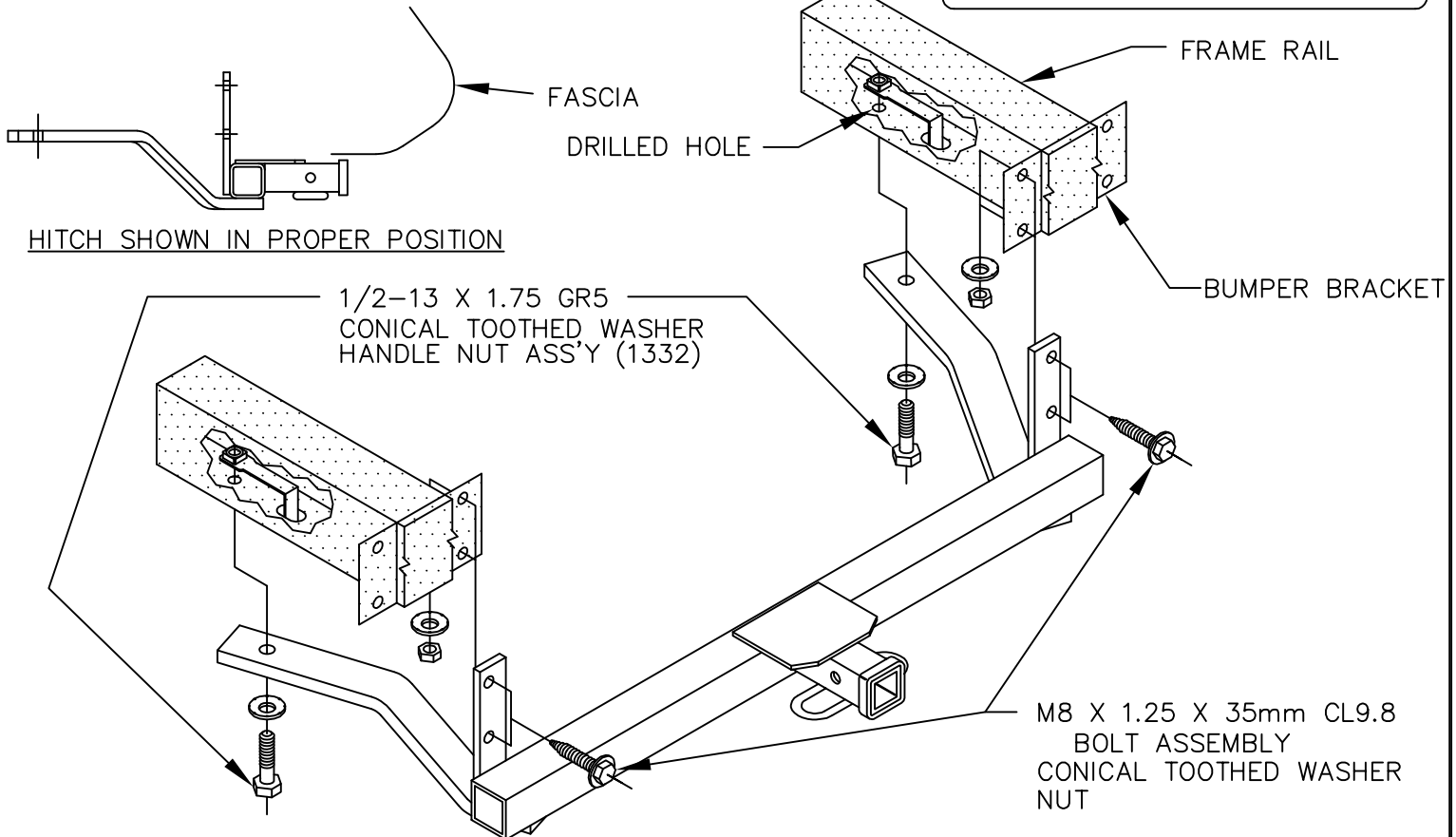


HITCH SHOWN IN PROPER POSITION

VEHICLE

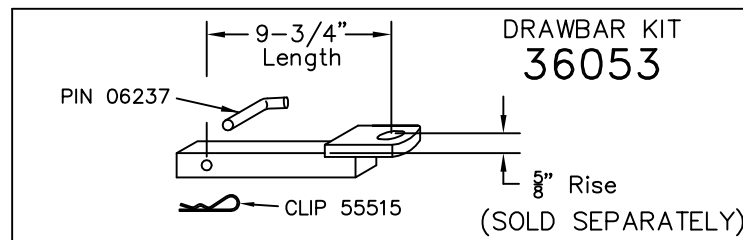
DODGE INTREPID

3500 LB MAX GROSS TRAILER WT
300 LB MAX TONGUE WEIGHT
DO NOT EXCEED TOWING VEHICLE RATINGS



1. LOWER VEHICLE EXHAUST AND REMOVE INBOARD BUMPER BRACKET FASTENERS. RETURN FASTENERS TO VEHICLE OWNER.
2. RAISE HITCH INTO POSITION AND LOOSELY INSTALL REARWARD FASTENERS THRU BUMPER BRACKET AS SHOWN ABOVE.
3. USING HITCH AS A TEMPLATE DRILL 1/2" HOLE THRU FRAME RAIL ON EACH SIDE.
4. ROTATE HITCH DOWNWARD AND INSTALL BOTH HANDLE NUTS THRU ACCESS SLOTS AS SHOWN ABOVE.
5. INSTALL REMAINING FASTENERS AS SHOWN ABOVE AND REINSTALL VEHICLE EXHAUST.

TIGHTEN ALL 1/2 GR5 FASTENERS TO 50 LB-FT.
TIGHTEN ALL M8 CL9.8 FASTENERS TO 25 LB-FT.



USE ONLY THE DRAWBAR SHOWN FOR CORRECT BUMPER CLEARANCE AND HEIGHT.
DRAWBAR MUST BE USED IN THE RISE POSITION ONLY.

THIS PRODUCT COMPLIES WITH SAFETY SPECIFICATIONS AND REQUIREMENTS FOR CONNECTING DEVICES AND TOWING SYSTEMS OF THE STATE OF NEW YORK, V.E.S.C. REGULATION V-5 AND SAE J684.

APPROX WEIGHT (LB.)
30

FASTENER KIT
01131-054

NOTE: Check hitch frequently, making sure all fasteners and ball are properly tightened. If hitch is removed, plug all holes in trunk pan or other body panels to prevent entry of water and exhaust fumes. A hitch or ball which has been damaged should be removed and replaced. Observe safety precautions when working beneath a vehicle and wear eye protection. Follow car maker's specs for maximum trailer weight and tongue weight. Do not cut access or attachment holes with a torch.

TOWING PRODUCTS
Plymouth, Michigan

PRINTED IN MEXICO