

# INSTALLATION INSTRUCTIONS

VEHICLE

CHRYSLER 300M

EQUIPMENT REQUIRED:

WIRING ACCESS LOCATION:

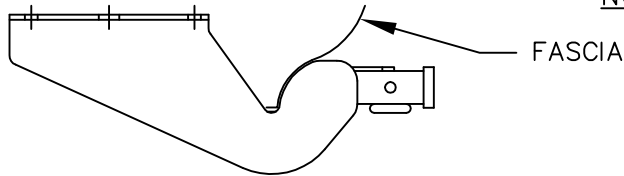
DRILL BITS: 1/2

HITCH REQUIRES 1/2" PIN AND CLIP.

WRENCHES: (TIGHTEN ALL FASTENERS WITH TORQUE WRENCH) 13mm, 11/16

3500 LB MAX GROSS TRAILER WT  
300 LB MAX TONGUE WEIGHT  
DO NOT EXCEED TOWING VEHICLE RATINGS

NOTE: ALL FASTENERS TYPICAL BOTH SIDES OF VEHICLE



FASCIA

HITCH SHOWN IN PROPER POSITION

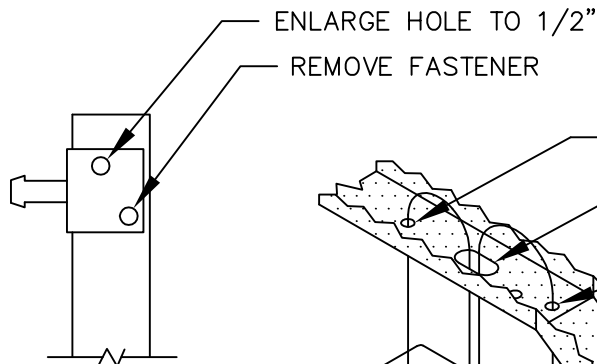


FIGURE 2

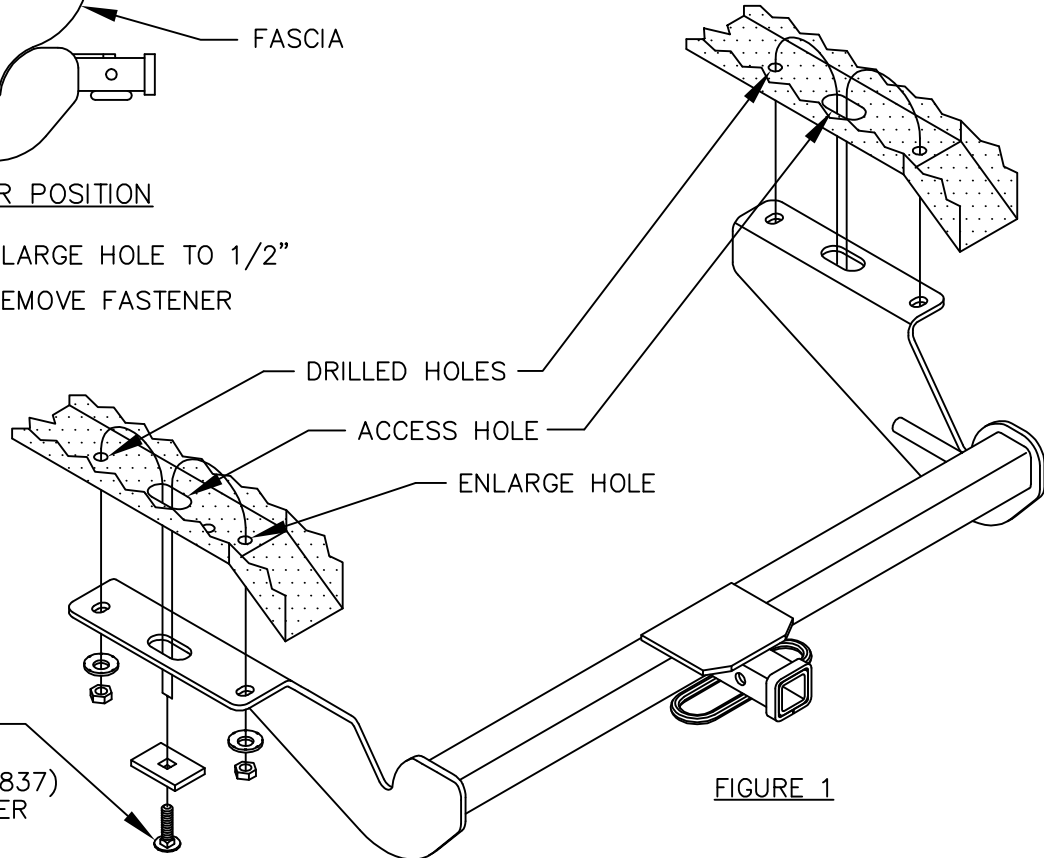
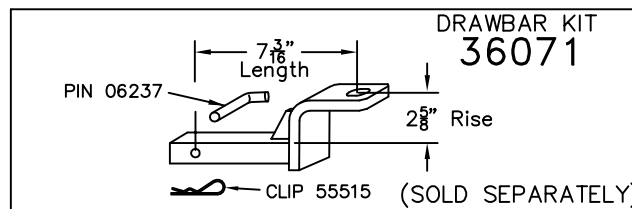


FIGURE 1

7/16-14 X 1.50 GR5  
CARRIAGE BOLT  
3/16 X 1 X 2 BLOCK (3837)  
CONICAL TOOTHED WASHER  
NUT

1. LOWER VEHICLE EXHAUST, BY DISCONNECTING FORWARD AND REARWARD RUBBER HANGERS.
2. ENLARGE EXHAUST HANGER HOLE AS SHOWN IN FIGURE 2.
3. REMOVE THE REARWARD EXHAUST HANGER BOTTOM FASTENER.
4. FISHWIRE REARWARD FASTENERS THRU ACCESS HOLE AS SHOWN IN FIGURE 1.
5. RAISE HITCH INTO POSITION AND SECURE WITH FASTENERS AS SHOWN IN FIGURE 1.
6. USING HITCH AS A TEMPLATE, DRILL THE FORWARD ATTACHMENT HOLES.
7. INSTALL REMAINING FASTENERS.
8. REATTACH VEHICLE EXHAUST.

TIGHTEN ALL 7/16 GR5 FASTENERS TO 50 LB-FT.



USE ONLY THE DRAWBAR SHOWN FOR CORRECT BUMPER CLEARANCE AND HEIGHT.  
DRAWBAR MUST BE USED IN THE RISE POSITION ONLY.

THIS PRODUCT COMPLIES WITH SAFETY SPECIFICATIONS AND REQUIREMENTS FOR CONNECTING DEVICES AND TOWING SYSTEMS OF THE STATE OF NEW YORK, V.E.S.C. REGULATION V-5 AND SAE J684.

APPROX WEIGHT (LB.)  
31

FASTENER KIT  
01131-073

NOTE: Check hitch frequently, making sure all fasteners and ball are properly tightened. If hitch is removed, plug all holes in trunk pan or other body panels to prevent entry of water and exhaust fumes. A hitch or ball which has been damaged should be removed and replaced. Observe safety precautions when working beneath a vehicle and wear eye protection. Follow car maker's specs for maximum trailer weight and tongue weight. Do not cut access or attachment holes with a torch.

**TOWING PRODUCTS**  
Plymouth, Michigan

PRINTED IN MEXICO