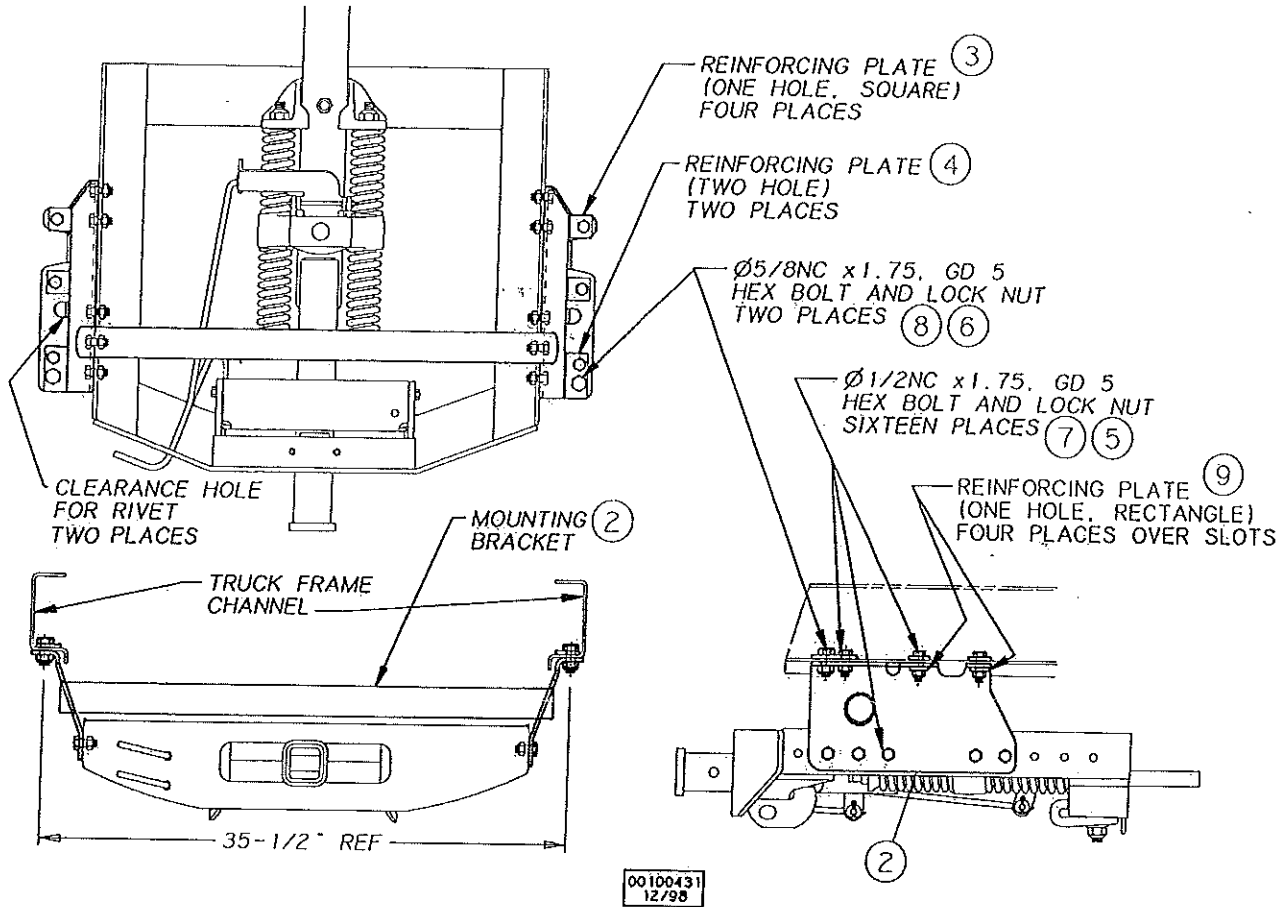


# Quic 'n Easy MOUNTING INSTRUCTIONS 1994 - 2000 DODGE RAM



ITEM NO.	PART NO.	QTY	DESCRIPTION
1	47082090	1	Quic 'n Easy Mounting Kit 1994 - 2000 Dodge Ram
2	47077710	1	Mounting Bracket
3	47077507	4	Reinforcing Plate (for 1/2" bolt)
4	47077704	2	Reinforcing Plate (for 5/8" bolt)
5	14110801	16	1/2" Stover Lock Nut
6	14111001	2	5/8" Stover Lock Nut
7	16008075	16	1/2" x 1-3/4" NC Hex Bolt, Gd. 5
8	16010075	2	5/8" x 1-3/4" NC Hex Bolt, Gd. 5
9	47077714	4	Reinforcing Plate

# ASSEMBLY INSTRUCTIONS

Follow assembly instructions below. Refer to assembly drawings and instructions on previous page.

1. Remove spare tire and tighten spare tire carrier to prevent noise vibration.

**NOTE:** Do not remove any welded or riveted-in cross members.

2. Place (2) reinforcing plates for 5/8" bolts (Item #4) over holes in truck frame that align with holes in rear of mounting bracket (Item #2), insert 5/8" x 1-3/4" bolts (Item #8) through reinforcement plates, truck frame, and rear of mounting bracket (Item #2). Install 5/8" stover lock nuts (Item #6) to 5/8" bolts. Snug bolts to hold rear mounting bracket in place, but **do not tighten** hardware at this time.
3. Place (4) square reinforcing plates for 1/2" bolts (Item #3) over holes in truck frame that align with holes in front of mounting bracket (Item #2), insert 1/2" x 1-3/4" bolts (Item #7) through reinforcement plates, truck frame, and front of mounting bracket (Item #2). Install (4) rectangular reinforcing plates (Item #9) and 1/2" stover lock nuts (Item #5) to 1/2" bolts. **Do not tighten** hardware at this time.
4. Install **Quic 'n Easy** frame to mounting bracket (Item #2) using 1/2" x 1-3/4" bolts (Item #7), 1/2" stover lock nuts (Item #5). **Do not tighten** hardware at this time.
5. **TORQUE ALL BOLTS TO THE SPECIFICATIONS SHOWN:**

7/16" diameter grade 5 to.....	55 ft-lbs
1/2" diameter grade 5 to.....	85 ft-lbs
9/16" diameter grade 5 to .....	125 ft-lbs
5/8" diameter grade 5 to .....	170 ft-lbs
12 mm diameter (from truck) to .....	85 ft-lbs
16 mm diameter (from truck) to .....	170 ft-lbs
6. **IMPORTANT:** When complete, check for proper clearances between truck components and **Quic 'n Easy** receiver hitch assembly. There must be a minimum clearance of 2-1/4", fore and aft, and 1-1/4" above the spring casting from any obstruction to allow proper and safe operation.
7. Slide red plastic handle covers over slide lock handle and pin lever handle.