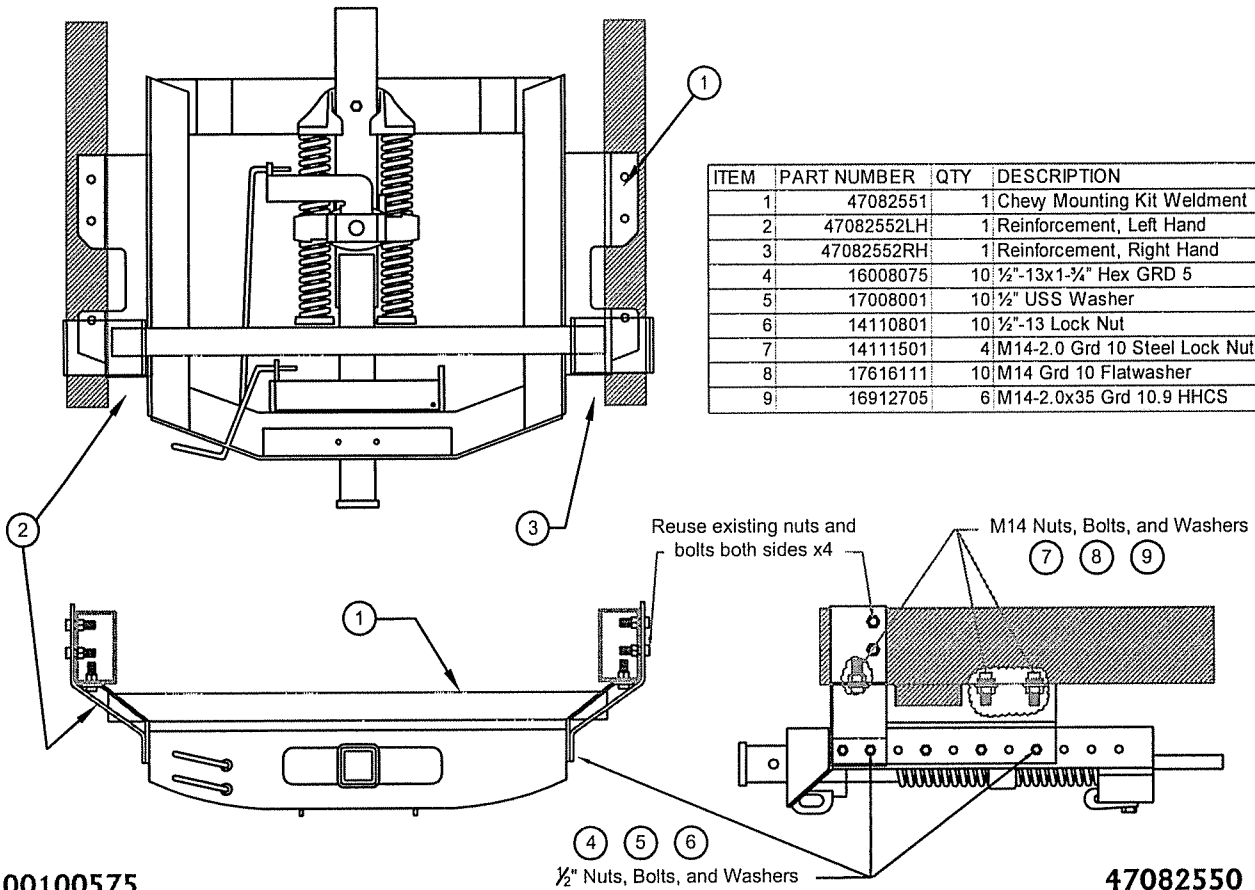


Quic'n Easy 2011 Chevy/GMC 2500/3500 Short Bed

Assembly Instructions

1. Remove spare tire and tighten tire carrier to prevent vibration noise.
2. Remove exhaust heat shield.
3. If applicable, remove existing bolts for factory hitch (3 each side and 2 to bumper step). Remove factory hitch.
4. Attach mounting kit weldment (#1) to the bottom side of truck frame using M14 nuts, bolts, and washers (#7, 8, 9). Rearmost mounting hole will have a metric nut tacked to the inside of the truck frame. Secure with M14 bolt and washer. Position M14 bolts in other 2 mounting holes each side through access holes in truck frame, and secure with nuts and washers.
5. **IMPORTANT:** Torque M14 bolts to 218 ft lbs.
6. Raise hitch frame to position and loosely install 1/2" bolts (#4) through frame and brackets on the front (towards cab) three holes in mounting kit weldment. Hold in position with 1/2" nuts and washers (#5, 6), but do not tighten at this time.
7. Bolt and torque reinforcement brackets (#2, 3) to truck frame with existing M14 hardware, 2 bolts each side. Reinforcement brackets bolt on outside of existing bumper brackets. Install final 1/2" bolts, nuts, and washers (#4, 5, 6) through rear (towards bumper) holes in mounting kit weldment.
8. **IMPORTANT:** Torque 1/2" diameter grade 5 bolts to 83 ft lbs
9. **IMPORTANT:** when complete check all clearances between truck components and Quic'n Easy receiver hitch assembly. A minimum of 2- 1/4" between the spring casting and above obstructions is required to allow proper and safe operation.
10. **IMPORTANT:** check hitch and mounting kit periodically for loose fasteners or weakened welds and structural members.

****This mount is designed for a Class IV DMI hitch with a gross load capacity of 14,000 lbs. when used as a weight-carrying hitch. However, the maximum towing capacity is limited to the lowest capacity of any component in the towing system. DO NOT EXCEED TRUCK MANUFACTURER'S TOWING CAPACITY.****



****Limited one year warranty by United Truck Parts. Visit www.unitedtruckparts.com for more details.****