

Assembly Instructions

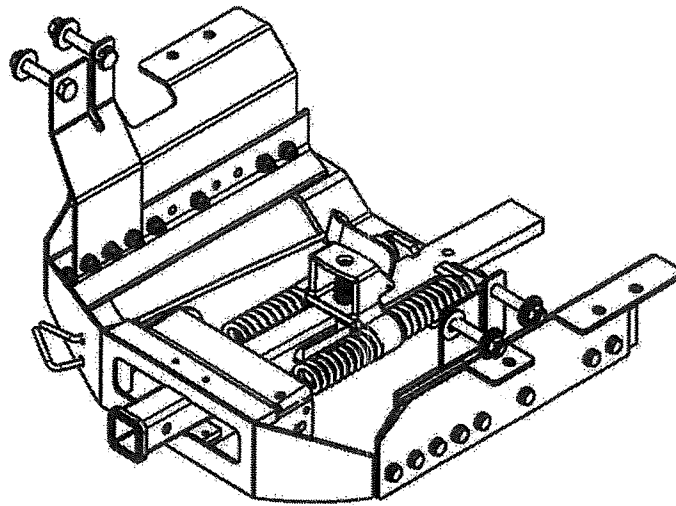
2020-Current Chevy/GMC 2500/3500 HD Short Bed Only

Mounting Kit # 47082570

Used with the Quic'n Easy (47070007) and Cush'n Combo (47090001) Hitches

1. Remove the spare tire safety cable.
2. Remove the spare tire and tighten or tie wrap tire cable to prevent vibration noise.
3. Remove the heat shield.
4. Cut the OEM receiver tube off the cross member.
5. Remove the (4) M16 bolts, 2 each side, from the bottom of the frame rails that hold in the cross member. Save these as these are used to install the gusseted brackets.
6. Remove the (2) M16 bolts, 1 each side, that hold the cross member support bracket. These are located inside of the frame rail in the rear. Save these as these are used to install the small brackets.
7. Install the small bracket (47082573) to the inside rear of the driver side frame rail using the bolt removed in item 6 and the $\frac{3}{4}$ " bolt, washer and nut provided in the kit. The bolt and washer are installed outside frame rail with bracket and nut located inside of the frame rail. Snug, but do not tighten at this time. In some cases you may need to temporarily remove the electronic model to access tightening of the nut. This bottom of this bracket will attach to the inside of the hitch frame.
8. Install the (2) gusseted brackets (47082571 & 47082572) to the bottom of the frame rails using the (4) M16 bolts removed in item 5, plus the $\frac{5}{8}$ " bolt, washer and nut provided in the kit. The $\frac{5}{8}$ " bolt is installed in center hole. Snug but do not tighten at this time. You may need to lift up on the bumper to install the M16 bolts.
9. Install the small bracket (47082574) to the passenger side similar to item 7.
10. Install the hitch using the $\frac{1}{2}$ " bolts, nuts and washers provided in the kit. Gusseted brackets should be outside the hitch frame and the small brackets should be inside the hitch frame. Snug but do not tighten at this time.
11. Ensure proper clearance and tighten all fasteners.

SEE BACK FOR ADDITIONAL INFORMATION!



<u>Item Number</u>	<u>Description</u>	<u>Quantity</u>
47082571	Gusseted Bracket LH	1
47082572	Gusseted Bracket RH	1
47082573	Small Bracket LH	1
47082574	Small Bracket RH	1
16008075	½-13 x 1 ¾ HHCS Gd5 Zinc	18
17008001	½ USS Flat Washer	18
14110801	½ Nyloc Nut	18
16010075	5/8-11 x 1 ¾ HHCS Gd5 Zinc	2
17010001	5/8 USS Flat Washer	2
14111001	5/8 Nyloc Nut	2
16912640	¾-10 X 5 HHCS Gd5 Zinc	2
17112000	¾ SAE Flat Washer	2
14001200	¾ NC All Steel Hex Nut	2