

# Installation Instructions

**Part Numbers:**

## CUSTOM QUICK INSTALL MOUNTING KIT

**50140**

**Dodge Ram 2500/3500 Standard and Quad Cab, 2003 - 2012**

**Dodge Ram Megacab 1500, 2006-2008, Dodge Ram Megacab 2500/3500, 2006-2009**

**Dodge Ram Megacab 2500/3500, except gas engine with overload springs, 2010-2012**

**PLEASE READ ALL INSTRUCTIONS BEFORE STARTING INSTALLATION**

**Equipment Required:**

**Fastener Kit:** 116629

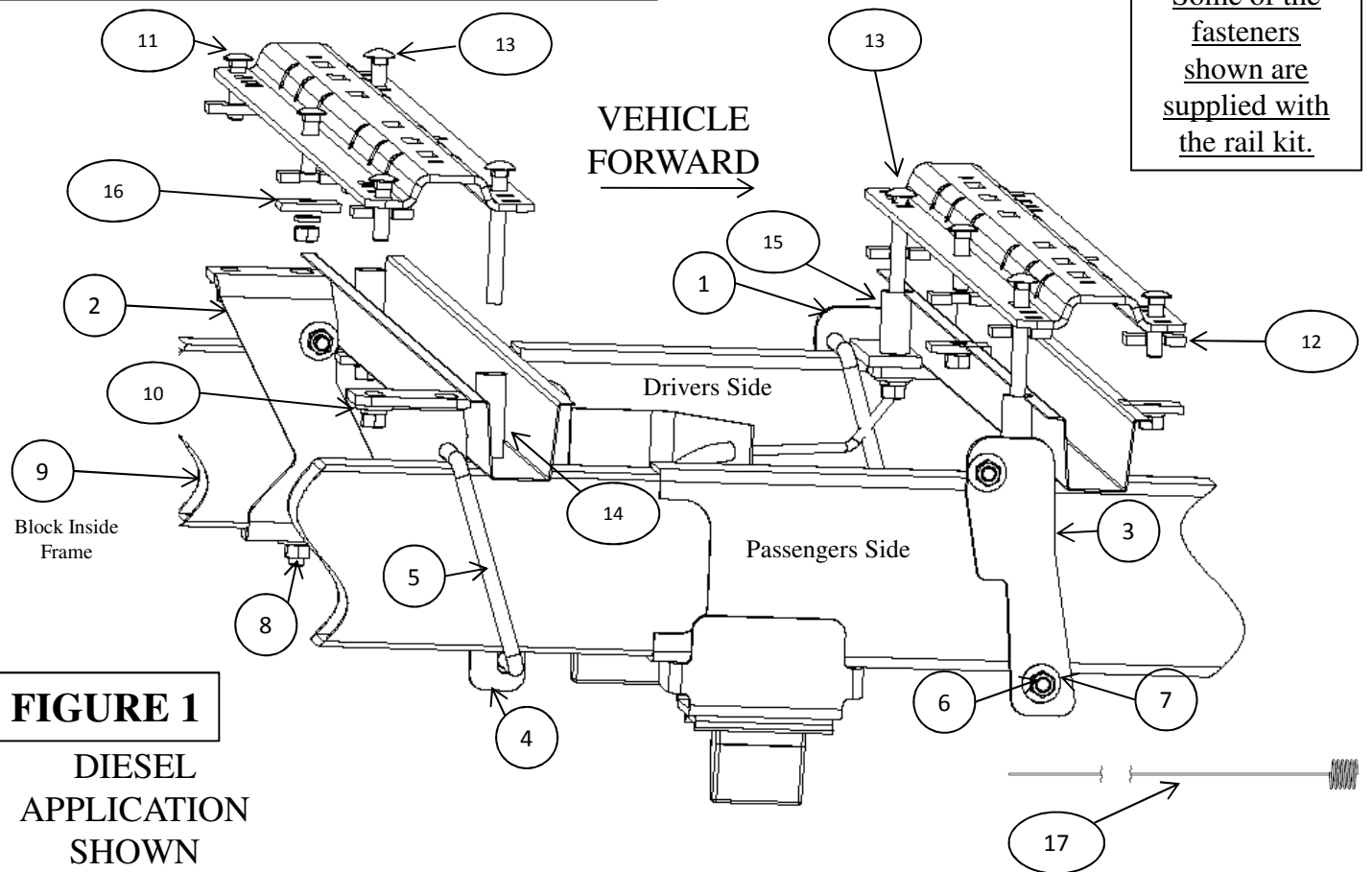
**Wrenches:** 3/4, 7/8, 15/16

**Drill Bits:** 1/8 in., 9/16 in., 11/16 in.

**Other Tools:** Center Punch, Measuring Tape, 1-1/8 in. hole saw

**WARNING:** Under no circumstances do we recommend exceeding the towing vehicle manufacturers recommended vehicle towing capacity.

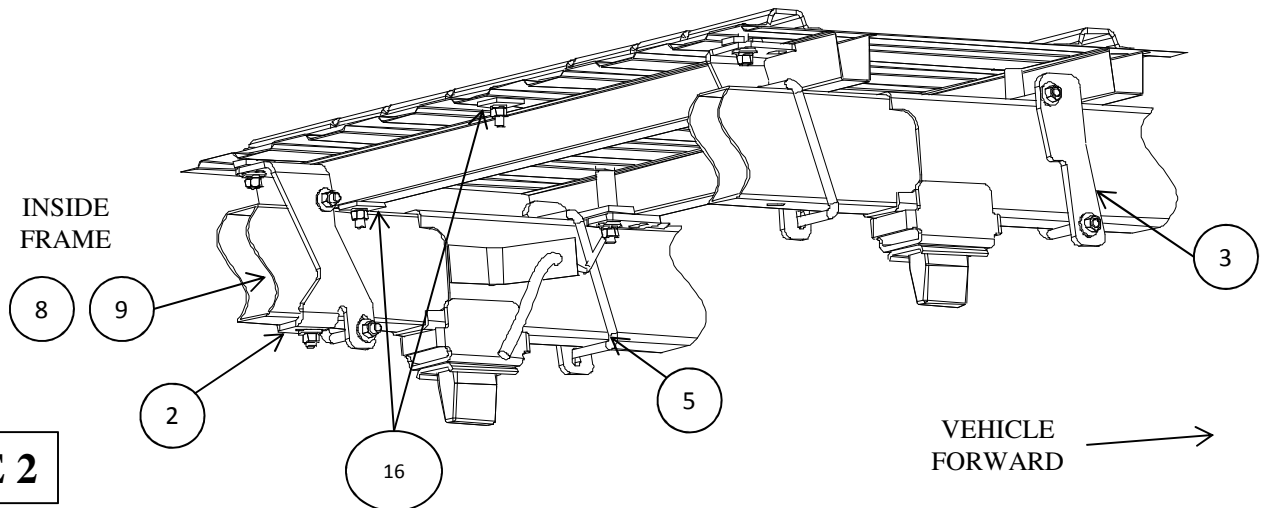
### INSTALLATION OF 58058 RAILS



**FIGURE 1**  
DIESEL APPLICATION SHOWN

#	DESCRIPTION	QUANTITY	#	DESCRIPTION	QUANTITY
1	FRAME BRACKET, FORWARD LH	1	10	LOCKWASHER, 1/2 in.	10
2	FRAME BRACKET, REAR LH	1	11	CARRIAGE BOLT, 1/2-13 X 2 in.	6
3	FRAME BRACKET, FORWARD RH	1	12	U-SHAPED SPACER, 2 X 1 X 5/16 in.	8
4	FRAME BRACKET, REAR RH	1	13	CARRIAGE BOLT, 1/2-13 X 4-1/2 in.	4
5	U-BOLT, 1/2-13 X 7-3/4 X 4-1/2 in.	4	14	TUBE SPACER, 2.75 in. LONG	2
6	HEX NUT, 1/2-13 in.	19	15	TUBE SPACER, 2.06 in. LONG	2
7	CONICAL WASHER, 1/2 in.	20	16	BLOCK, 1-1/2 X 1/4 in.	6
8	CARRIAGE BOLT, 1/2-13 X 1-3/4 in.	1	17	PULL WIRE	1
9	BLOCK, 1 X 3 X 1/4 in.	1			

Item numbers specified in chart on previous page.



**FIGURE 2**

- **Do not install mounting rails over plastic bed liners. Plastic bed liners must be cut out of the way to provide metal to metal contact. Mounting rails may be installed on spray in liners.**
- **Use only bolts, nuts, and washers supplied to install this kit. All bolts are Grade 5 and nuts are Grade 5.**
- **These instructions are guidelines only, actual installation is the responsibility of the installer and the owner. Always measure truck and trailer before installing hitch to be sure that there is clearance at the cab and at the bumper to allow for turns.**

## Installation Instructions

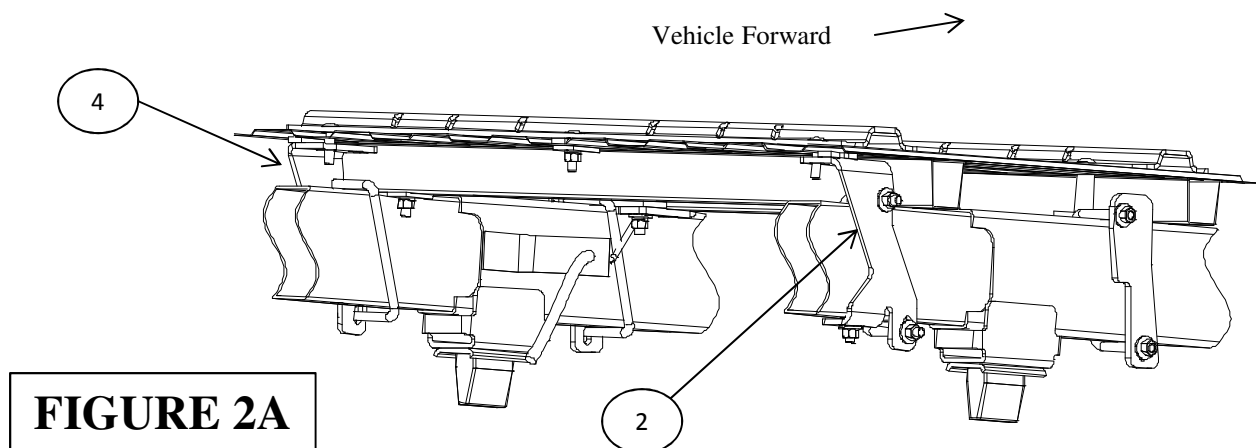
For Gas Engines go to step 20.

1. Lower and remove spare tire if needed for extra access to the frame. NOTE: The exhaust might need to be temporarily lowered to gain access to the bottom u-bolt end on the passenger side rear frame bracket, depending on the vehicle. There may be retainers on the end of exhaust support rods to be removed before rubber isolator is removed.
2. Detach the wiring harness from the inside of the driver side frame between the fuel tank and the shock absorber mount.
3. Place the rear mounting rail in the bed of the truck. Using your tape measure, center the rail on the truck bed floor and the proper distance from the rear edge of the truck box as illustrated in Figure 3 on page 4.
4. Mark and center punch the 5 holes at bolt placement as per the illustration in Figure 3 (diesel) or 3A (gas). Move the rail out of the way and drill each position with a 1/8 in. drill bit. The front row of holes on the rear rail need to go through the bed support. **WARNING: When drilling holes be aware of potential risks to vehicle components and make appropriate safe guards to protect them from damage.**
5. Temporarily position the frame brackets (2) and (4) on the inside of the frame as shown in Figure 1 and 2 and check that the 1/8in. drilled holes align with the slots of the frame bracket. Remove the frame bracket from the vehicle if the holes align. If not, adjust the 1/8 in. holes so that they do align.
6. Enlarge the three rear 1/8 in. drilled holes to 9/16 in.
7. **Loosely install the rear frame brackets as follows:**
  - a) Place the rear brackets (2) (4) on the inside of the frame as shown in Figures 1 and 2.
  - b) Install a u-bolt (5) on each of the brackets. The u-bolt wraps around the outside of the frame, right behind the rear bed support. Loosely install 1/2 in. conical washers (7) and hex nuts (6) onto the ends of the u-bolts.
  - c) For the drivers side rear only, feed a 1-3/4 in. carriage bolt (8) and 1 in. x 3 in. block (9) into position in the slot on underside of frame using a pull wire. There is a round hole in the inside of the frame that can be used to feed the hardware. Loosely fasten the carriage bolt (8) with 1/2 in. conical washer (7), lock washer (10) and hex nut (6).
  - d) Use a hole saw to enlarge the two front 1/8 in. bed holes to 1-1/8 in. in top layer only. Next, use a 9/16 in. drill bit to drill two holes in the bed support directly below the hole in the truck bed.
  - e) Paint all bare metal.
8. Place the two 2.75" long tube spacers (14) in the forward holes and reposition the mounting rail over the holes.
9. Install the 1/2 in. x 2 in. long carriage bolts (11) through rear rail, u-shaped spacers (12) (above or below bed depending on corrugation), and rear holes of the rear brackets (2) (4). **NOTE: The u-spacers may need to be installed beneath the bed and above the frame bracket if you are drilling into the raised area of the bed corrugation.** Install lock washers (10) and nuts (6) on the bolts (11). Snug nuts up by hand.
10. Install the 1/2 in. x 4-1/2 in. long carriage bolts (13) down through front holes in rear rail, spacer tube, and in the holes of the bed support. Install the 1-1/2 in. x 2 in. block (16) with lock washers (10) and nuts (6) on the bolts (13). Snug nuts up by hand.

11. Install the 1/2 in. x 2 in. long carriage bolt (11) in the center hole of the rear rail as show in Figure 1. Place a u-shaped spacer (12) (above or below the bed depending on corrugation), and attach the bolt with a 1-1/2 in. x 2 in. block (16), 1/2 in. lock washer (10), and hex nut (6) on the bottom.
12. Place the unassembled fifth wheel saddles/slider/goose into the already installed rear mounting rail. Position the second (front) mounting rail with the saddles/slider/goose by inserting the tabs into the mounting rail and pushing the mounting rail tight towards the other mounting rail. Ensure that the mounting rail is centered between the weld seams on the length of the truck box floor. This will position the mounting rail in the correct location and ensure that the fifth wheel will have a snug fit to the truck. **NOTE: If more than one hitch product will be used with the rails, then both should be used at the same time to align the second rail. This will ensure that one product does not compromise the fit of the other.**
13. Repeat Steps 4 and 5 using the front frame brackets (1) (3). The bracket should be just rearward of the next bed support. Open all five holes to 9/16”.
14. Paint all bare metal.
15. Loosely install the front frame brackets as follows:
  - a) Place the front brackets on the outside of the frame as shown in Figures 1 and 2. A portion of the frame brackets will be under the bed support.
  - b) Install a u-bolt (5) on each of the brackets (1) (3). The u-bolt wraps around the inside of the frame. Loosely install 1/2 in. conical washers (7) and hex nuts (6) onto the ends of the u-bolts (5). **NOTE: The u-bolt on the driver side must be placed between the brake line and the frame. See Figure 2. Improper placement of the driver side u-bolt may result in damage to the vehicle’s braking system. Move the electric wires out of the way.**
16. Install the 1/2 in. x 2 in. long carriage bolts (11) and u-shaped spacers (12) in the front row of the rail as shown in Figure 1. Place the u-shaped spacers between the rail and the bed (above or below depending on bed corrugation). To attach the carriage bolts to the front frame brackets (1) (3), use 1/2 in. conical washers (7), 1/2 in. lock washers (10) and hex nuts (6). Insert the 2-1/16 in. long tube spacers (15) between the bottom of the bed and the frame bracket (1) (3). Install 1/2 in. x 4-1/2 in. bolts (13) in the rear 2 holes. Use a 2 in. long bolt (11) in the center hole. Install the u-shaped spacers (12) between the rail and the bed (above or below depending on bed corrugation). Install 1/2 in. conical washers (7), lock washers (10), and nuts (6) on the bolts (13).
17. Tighten the fasteners in the following sequence: 1) torque the frame brackets to the truck frame, 2) reinsall the unassembled fifth wheel saddles/slider/goose, 3) torque the mounting rails to the frame brackets and bed. **Torque all 1/2 in. Grade 5 hardware to 72 ft-lbs (98 N-m).**
18. Reattach the wiring harness to the inside of the drivers side frame. Use the cable tie, if necessary.
19. Reinstall spare tire, and the exhaust if it was lowered in a previous step.

## For 2010 - 2012 Gas Engine Models Only.

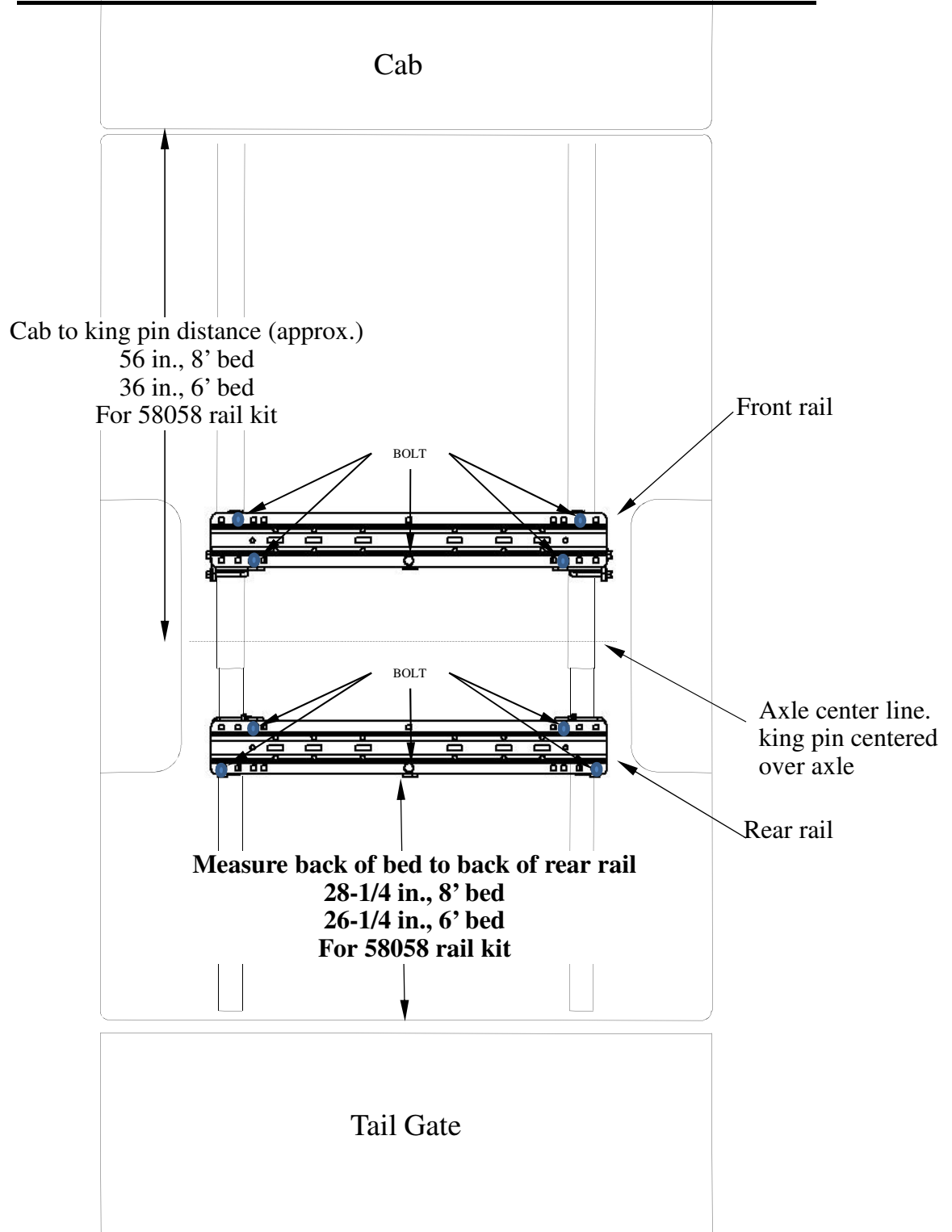
20. Install brackets (2) and (4) in reverse positions. See Figure 2A.
21. Put rear left hand bracket (2) on the outside of the right rear frame rail and rear right hand bracket (4) on the outside of the rear left hand frame rail.
22. Follow steps 1 – 19. For bed drilling locations see Figure 3A on page 5.



**FIGURE 2A**

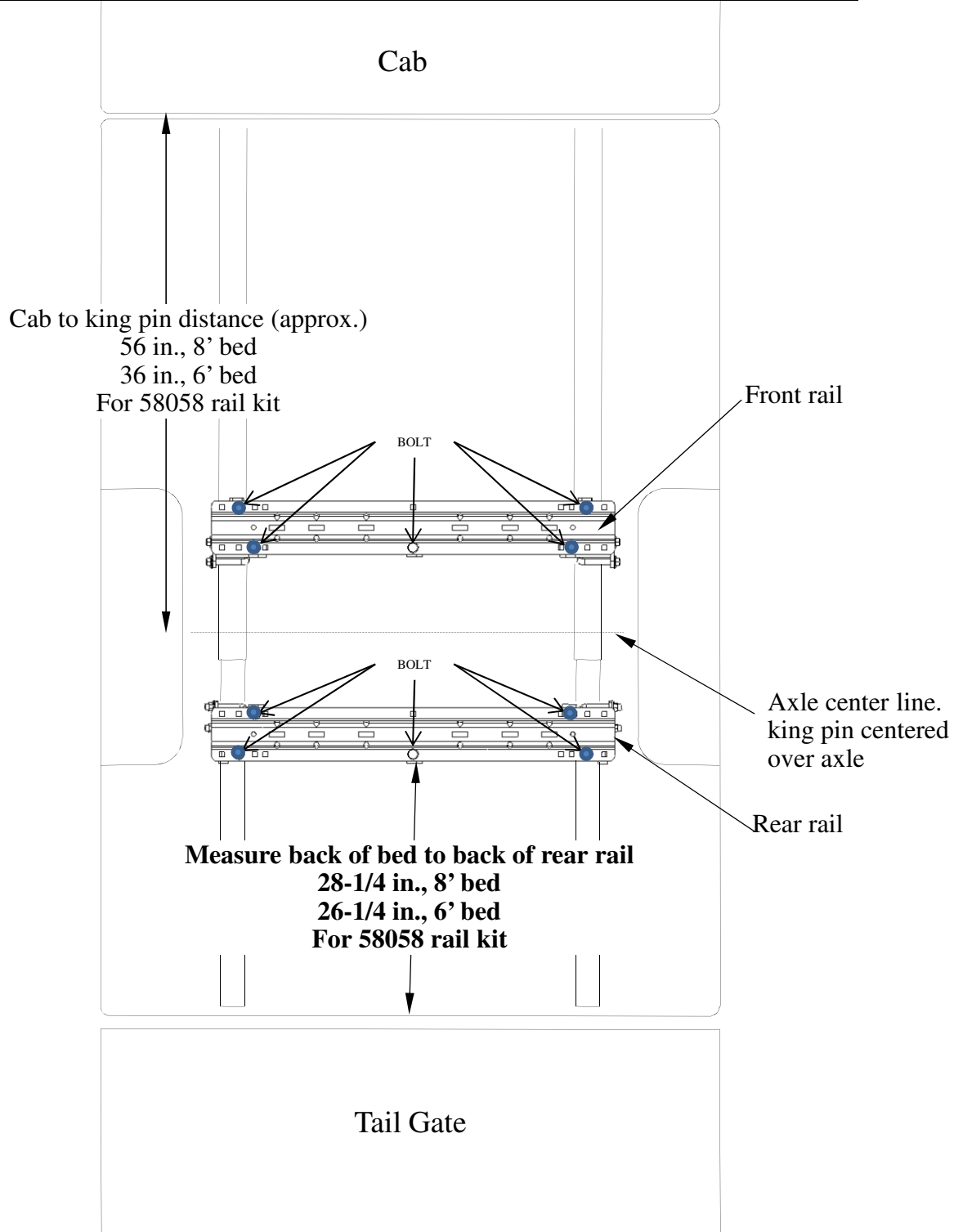
# USE FOR 58058 RAIL KIT INSTALLATION ONLY

## ON TRUCKS WITH DIESEL ENGINES ONLY



**Figure 3**

**USE FOR 58058 RAIL KIT INSTALLATION ONLY**  
**ON TRUCKS WITH GASOLINE ENGINES ONLY**



**Figure 3A**

# INSTALLATION FOR 30124 RAILS ONLY

PLEASE READ ALL INSTRUCTIONS BEFORE STARTING INSTALLATION

**Equipment Required:**

**Fastener Kit:** 116629

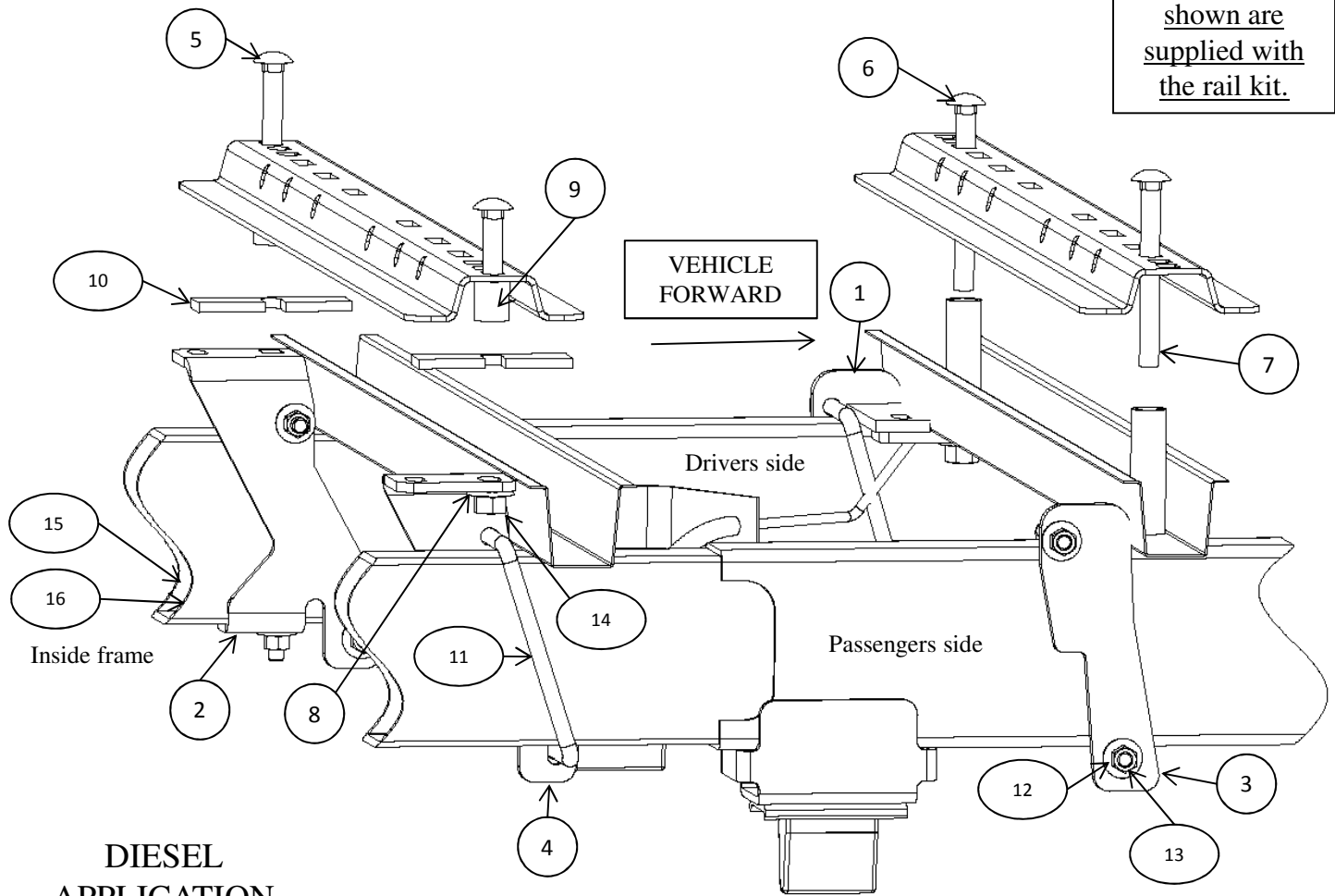
**Wrenches:** 3/4, 7/8, 15/16

**Drill Bits:** 1/8 in., 9/16 in., 11/16 in.

**Other Tools:** Center Punch, Measuring Tape, 1-1/8 in. hole saw

**FIGURE 4**

Some of the fasteners shown are supplied with the rail kit.

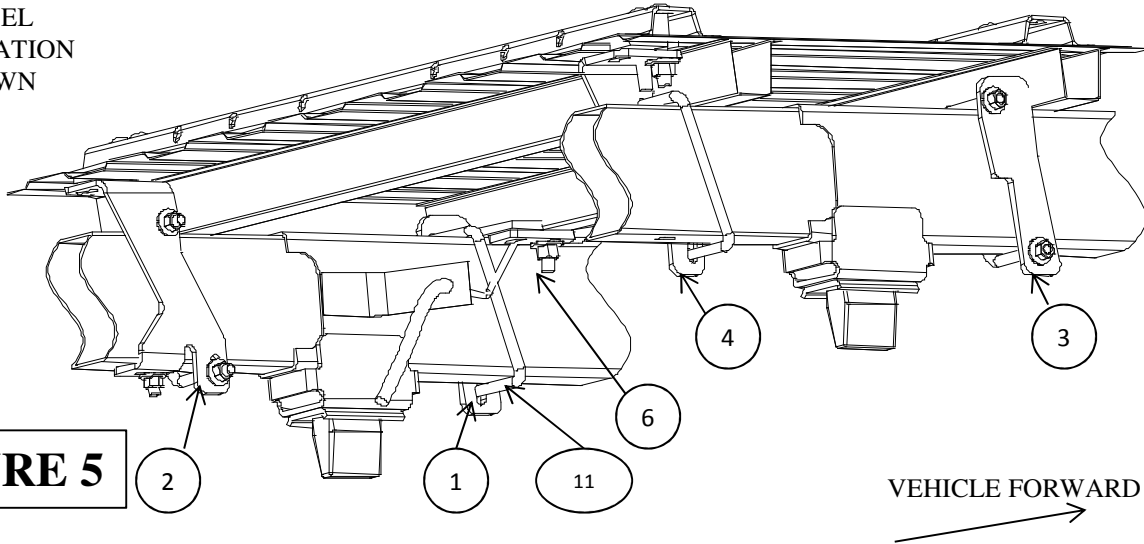


**DIESEL  
APPLICATION  
SHOWN**

#	DESCRIPTION	QTY.	#	DESCRIPTION	QTY.
1	FRAME BRACKET, FORWARD LH	1	9	TUBE SPACER, 1-1/4 in. LONG	2
2	FRAME BRACKET, REAR LH	1	10	SPACER 5 X 1-1/2 X 5/16 in.	2
3	FRAME BRACKET, FORWARD RH	1	11	U-BOLT, 1/2-13 x 7-3/4 x 4-1/2 in.	4
4	FRAME BRACKET, REAR RH	1	12	HEX NUT, 1/2-13 in.	9
5	CARRIAGE BOLT, 5/8-11 x 3-1/2 in.	2	13	CONICAL WASHER, 1/2 in.	9
6	CARRIAGE BOLT, 5/8-11 x 6 in.	2	14	NUT, 5/8-11 in.	4
7	TUBE SPACER, 4 in. LONG	2	15	CARRIAGE BOLT, 1/2-13 X 1-3/4 in.	1
8	CONICAL WASHER, 5/8 in.	4	16	BLOCK, 1 x 3 x 1/4 in.	1

Item description is located in chart on previous page.

DIESEL  
APPLICATION  
SHOWN



**FIGURE 5**

- **Do not install mounting rails over plastic bed liners. Plastic bed liners must be cut out of the way to provide metal to metal contact. Mounting rails may be installed on spray in liners.**
- **Use only bolts, nuts, and washers supplied to install this kit. All bolts are Grade 5 and nuts are Grade 5.**
- **These instructions are guidelines only, actual installation is the responsibility of the installer and the owner. Always measure truck and trailer before installing hitch to be sure that there is clearance at the cab and at the bumper to allow for turns.**

### For Gas Engines go to step 19.

1. Lower and remove spare tire if needed for extra access to the frame. NOTE: The exhaust might need to be temporarily lowered to gain access to the bottom u-bolt end on the passenger side rear frame bracket, depending on the vehicle. There may be retainers on the end of exhaust support rods to be removed before rubber isolator is removed.
2. Detach the wiring harness from the inside of the driver side frame between the fuel tank and the shock absorber mount.
3. Place the rear mounting rail in the box of the truck. Using your tape measure, center the rail between the weld seams on the length of the truck box floor and the proper distance from the rear edge of the truck box as illustrated in Figure 6 (diesel) or 6A (gas).
4. Mark and center punch the holes at bolt placement as per the illustration in Figure 6. Move the rail out of the way and drill each position with a 1/8 in. drill bit. **WARNING: When drilling holes be aware of potential risks to vehicle components and make appropriate safe guards to protect them from damage.**
5. Temporarily position the frame brackets (2) (4) on the inside of the frame and check that the 1/8 in. drilled holes align with the slots of the frame bracket. Remove the frame bracket from the vehicle if the holes align. If not, adjust the 1/8 in. holes so that they do align.
6. Drill out the 1/8 in. holes to 11/16 in.
7. Paint all bare metal.
8. **Loosely install the rear frame brackets as follows:**
  - a) Place the rear brackets (2) (4) on the inside of the frame as shown in Figures 4 and 5.
  - b) Install a u-bolt (11) on each of the brackets. The u-bolt wraps around the outside of the frame, right behind the rear bed support. Loosely install 1/2 in. conical washers (8) and hex nuts (12) onto the ends of the u-bolts. Feed a 1-3/4 in. carriage bolt (15) and 1 in. x 3 in. block spacer (16) into position in the slot in the bottom of the left frame using a pull wire. There is a round hole in the inside of the frame that can be used to feed the hardware. Loosely fasten the carriage bolt (15) with 1/2 in. conical washer (13) and hex nut (12).
9. Reposition the mounting rails over the holes. Place the 1-1/4 in. tube (9) spacer between the rail and the bed. Place a 1-1/2 in. x 5 in. spacer (10) (above or below the bed depending on bed corrugation).
10. Install the 5/8 in. x 3-1/2 in. long carriage bolts (5) down through the rail, the tube spacer (9), 1-1/2 in. x 5 in. spacer (10), and the hole in the frame bracket under the truck bed. Install 5/8 in. conical washer (8) and 5/8 in. nut (14). Snug nuts up by hand.

11. Place the unassembled fifth wheel saddles/slider/goose into the already installed rear mounting rail. Position the second (front) mounting rail with the saddles/slider/goose by inserting the tabs into the mounting rail and pushing the mounting rail tight towards the other mounting rail. Ensure that the mounting rail is centered between the weld seams on the length of the truck box floor. This will position the mounting rail in the correct location and ensure that the fifth wheel will have a snug fit to the truck. **NOTE: If more than one hitch product will be used with the rails then both should be used at the same time to align the second rail. This will ensure that one product does not compromise the fit of the other.**
12. Repeat Steps 4 and 5 using the front frame brackets (1) (3). The bracket should be just rear of the front bed support and be placed on the outside of the frame. Drill the holes out to 1-1/8 in. with a hole saw if the 1/8 in. holes align. If not adjust the 1/8 in. holes so that they do align. Drill 1-1/8 in. holes in the bed only. Drill out the holes in the bottom of the bed support to 11/16 in. Insert a 4 in. long tube spacer (7) into the 1-1/8 in. hole in the bed.
13. Paint all bare metal.
14. **Loosely install the front frame brackets as follows:**
  - a) Place the front brackets (1) (3) on the outside of the frame as shown in Figures 4 and 5.
  - b) Install a u-bolt (11) on each of the brackets. The u-bolt wraps around the inside of the frame. Loosely install 1/2 in. conical washers (8) and hex nuts (12) onto the ends of the u-bolts. **NOTE: The u-bolt on the driver side must be placed between the brake line and the frame. See Figure 5. Improper placement of the driver side u-bolt may result in damage to the vehicle's braking system. Move the electric wiring harness out of the way.**
15. Insert a 5/8 in. x 6 in. long carriage bolt (6) down through the rail, bed support, 4 in. tube spacer (4) and out through the frame bracket below. Install a 5/8 in. conical washer (19) and 5/8 in. hex nut (14) on the bolt.
16. Tighten the fasteners in the following sequence: 1) torque the frame brackets to the truck frame, 2) torque the mounting rails to the frame brackets. **Torque all 5/8 in. Grade 5 hardware to 150 ft-lbs (203 N-m).**
17. Re-attach the wiring harness to the inside of the drivers side frame. Use the cable tie, if necessary.
18. Re-install spare tire, and the exhaust if it was lowered in a previous step.

## For 2010 to 2012 Gas Engine Models Only.

19. Install brackets (2) (4) in reverse positions. See Figure 5A.
20. Put rear left hand bracket (2) on the outside of the rear right frame rail and rear right hand bracket (4) on the outside of the rear left hand frame rail. See below.
21. Follow steps 1-18. For bed drilling locations see Figure 6A on page 10.

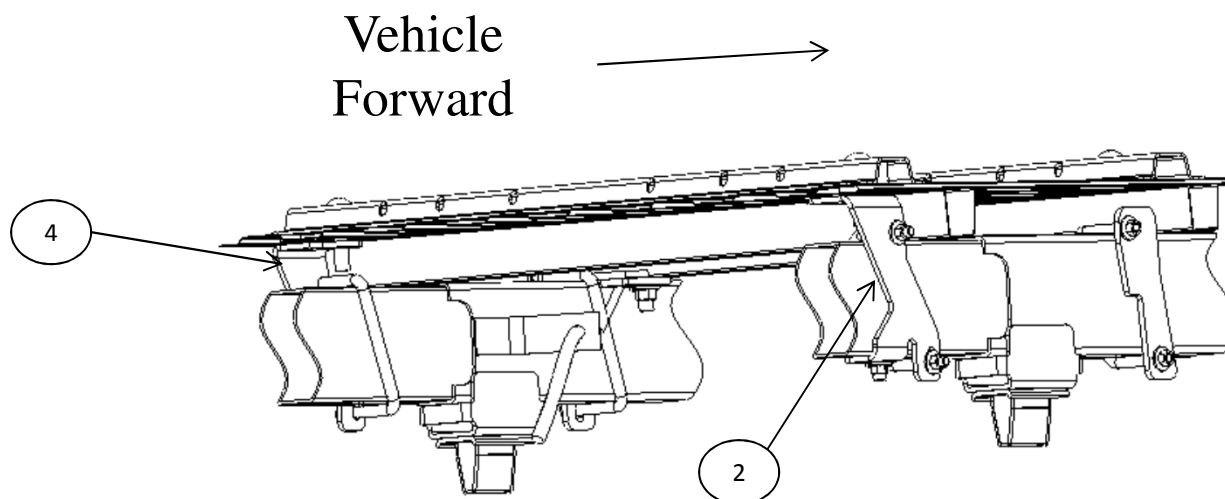
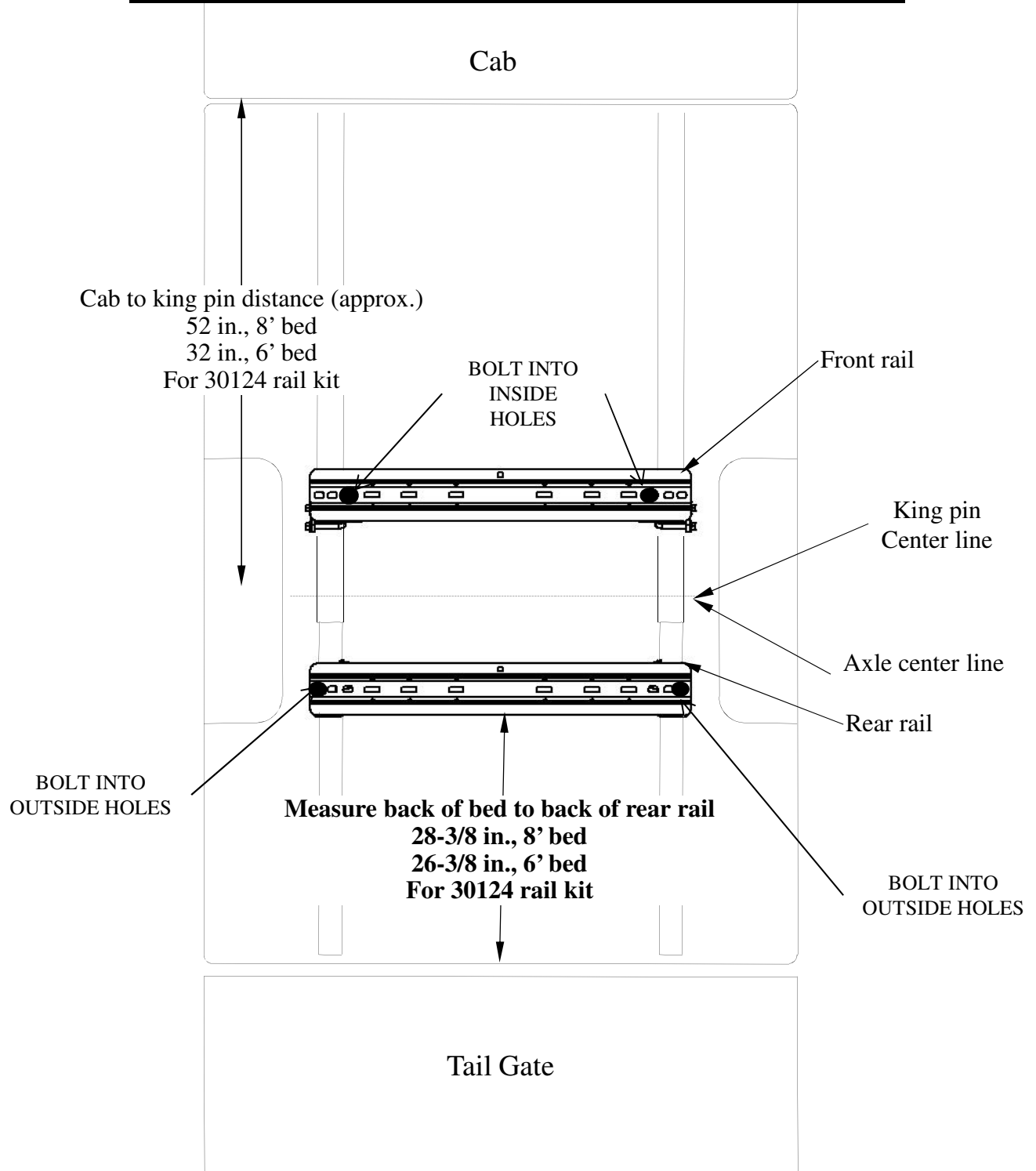


Figure 5A



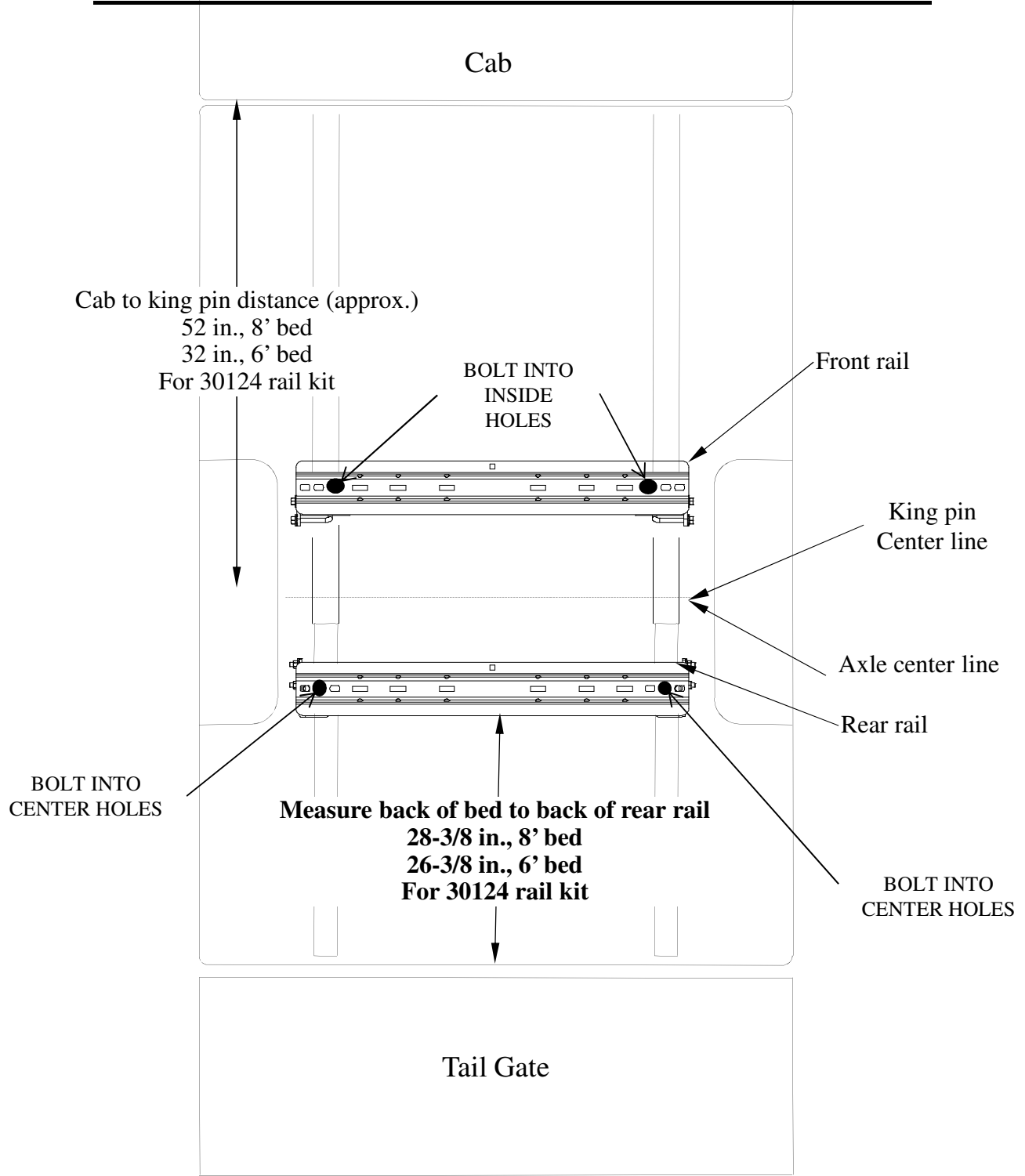
**USE FOR 30124 RAIL KIT INSTALLATION ONLY**

**ON TRUCKS WITH DIESEL ENGINES ONLY**



**Figure 6**

**USE FOR 30124 RAIL KIT INSTALLATION ONLY**  
**ON TRUCKS WITH GASOLINE ENGINES ONLY**



**Figure 6A**

**KIT DE MONTAJE PARA INSTALACIÓN RÁPIDA A LA MEDIDA**

**50140**

**Dodge Ram 2500/3500 Standard & Quad Cab, 2003 -2012**

**Dodge Ram Megacab 1500, 2006-2008, Dodge Ram Megacab 2500/3500, 2006-2009**

**Dodge Ram Megacab 2500/3500, excepto motor de gas con de sobrecarga muelles, 2010-2012**

**Equipo necesario:**

Kit de tornillos: 116629

Llaves: 3/4, 7/8, 15/16

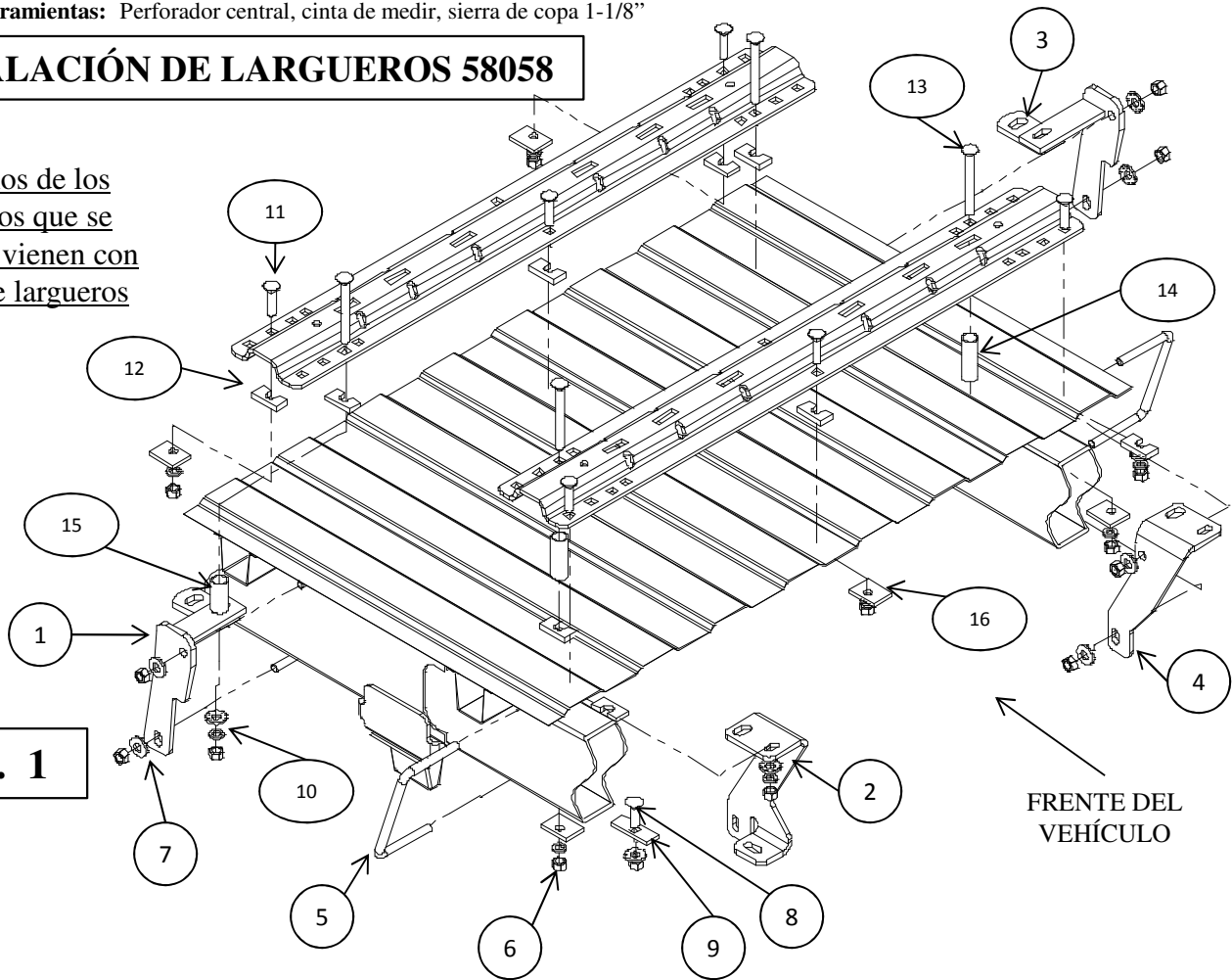
Brocas de taladro: 1/8", 9/16", 11/16"

Otras herramientas: Perforador central, cinta de medir, sierra de copa 1-1/8"

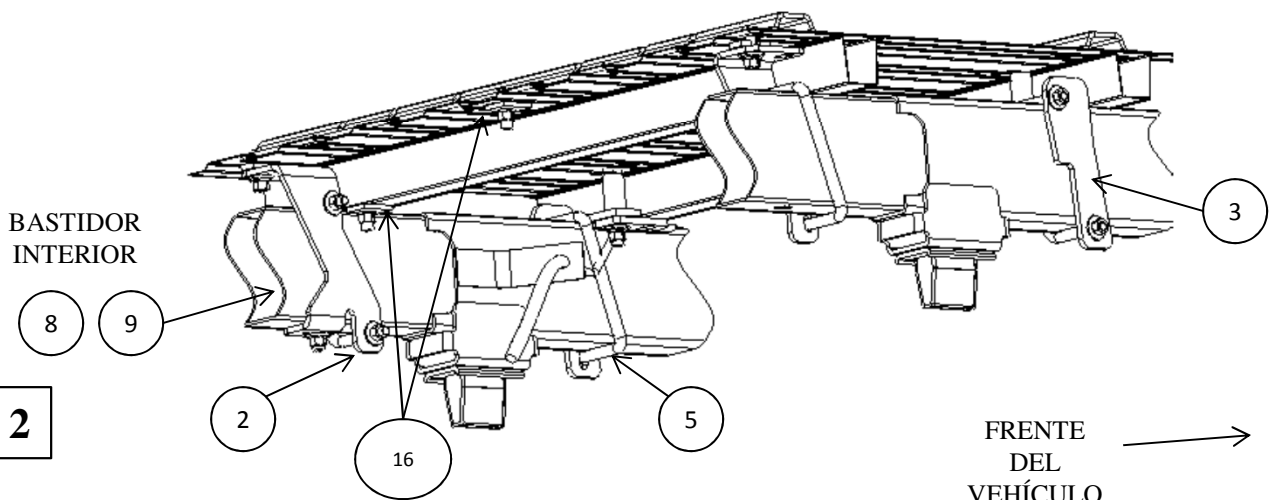
**ADVERTENCIA:** Bajo ninguna circunstancia recomendamos superar la capacidad de remolque del vehículo recomendada por el fabricante del vehículo de remolque.

**INSTALACIÓN DE LARGUEROS 58058**

Algunos de los tornillos que se exhiben vienen con el kit de largueros



**FIG. 1**



**FIG. 2**

## Los números de piezas son de la Figura 1 y 2 en la página anterior.

ARTÍCULO No.	DESCRIPCIÓN:	Cant.
1	SOPORTE DEL BASTIDOR, LH DELANTERO	1
2	SOPORTE DEL BASTIDOR, LH POSTERIOR	1
3	SOPORTE DEL BASTIDOR, RH DELANTERO	1
4	SOPORTE DEL BASTIDOR, RH POSTERIOR	1
5	PERNO EN U, 1/2-13 x 7-3/4 x 4-1/2	4
6	TUERCA 1/2-13	19
7	ARANDELA CÓNICA 1/2"	20
8	PERNO DE CARRUAJE, 1/2"-13 x 1-3/4"	1
9	BLOQUE 1 x 3 x 1/4"	1
10	ARANDELA DE BLOQUEO, 1/2"	10
11	PERNO DE CARRUAJE, 1/2-13 X 2	6
12	BLOQUE ESPACIADOR 2 x 1 x 5/16"	8
13	PERNO DE CARRUAJE, 1/2"-13 x 4-1/2"	4
14	ESPACIADOR DE TUBO 2,75" LARGO	2
15	ESPACIADOR DE TUBO 2,06" LARGO	2
16	BLOQUE 1-1/2 x 2 x 1/4"	6

- **No instale largueros de montaje sobre los forros plásticos de la base. Los forros plásticos de la base deben cortarse para permitir contacto de metal a metal. Los largueros de montaje se pueden instalar en forros aplicados con spray.**
- **Use únicamente pernos, tuercas y arandelas suministradas para instalar este kit. Todos los pernos y tuercas son grado 5 a menos que se especifique lo contrario.**
- **Estas instrucciones son pautas únicamente, la instalación real es responsabilidad del instalador y del propietario. Siempre mida el vehículo y el remolque antes de instalar el enganche para verificar que haya espacio en la cabina y en el parachoques para permitir los giros.**

### Instrucciones de instalación

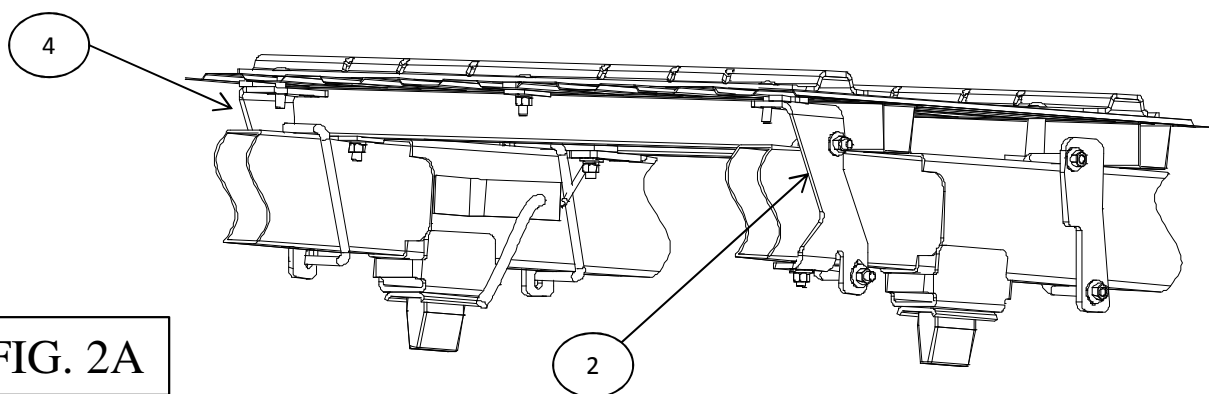
Para motores de gas vaya al paso 20.

1. Baje y quite el neumático de repuesto si es necesario para acceso adicional a la estructura. NOTA: puede ser que necesite el escape a reducirse temporalmente para acceder a la final perno en U inferior en el soporte bastidor trasero del lado del pasajero, dependiendo del vehículo. Puede haber retenedores en el extremo de varillas de soporte de escape para ser retirados antes de retirar aislante de goma.
2. Desprenda el arnés del cableado desde el interior del bastidor en el lado del conductor entre el tanque de combustible y el montaje de los amortiguadores.
3. Coloque el larguero de montaje en la base del vehículo. Usando la cinta de medir, centre el larguero entre las costuras del vehículo y la distancia correcta desde el borde posterior de la caja del vehículo como se ilustra en la Figura 3 en la página 14.
4. Marque y centre los orificios según la ilustración en la Figura 3. Mueva el larguero del camino y perforo cada posición con una broca de 1/8". La fila delantera de orificios en el larguero posterior debe ir a través del apoyo de la base. **ADVERTENCIA: Al perforar los orificios tenga en cuenta los riesgos potenciales para los componentes del vehículo y tome las medidas necesarias para protegerlos de daños.**
5. Coloque temporalmente los soportes del bastidor en el interior del bastidor como se muestra en la fig. 1 y 2 y revise que los orificios perforados de 1/8" se alineen con las ranuras del soporte del bastidor. Retire el soporte del bastidor del vehículo si los orificios se alinean. Si no, ajuste los orificios de 1/8" de manera que alineen.
6. Ampliar los tres trasera 1/8. Agujeros perforados a 9/16 en.
7. **Instale sin apretar los soportes del bastidor posterior de la siguiente manera:**
  - a) Coloque los soportes posteriores en el interior del bastidor como se muestra en las Figuras 1 y 2.
  - b) Instale un perno en U en cada soporte. Los pernos en U se envuelven alrededor del exterior del bastidor, detrás del soporte de la base posterior. Instale sin apretar arandelas cónicas de 1/2" y las tuercas hexagonales en los extremos de los pernos en U.
  - c) Para el lado del conductor únicamente, inserte un perno de carruaje de 1-3/4" y un espaciador de 1" x 3" a su posición en la ranura al fondo del bastidor usando un cable para halar. Hay un orificio redondo en el interior del bastidor que se puede usar para insertar las piezas. Sin apretar sujete el perno de carruaje con una arandela cónica de 1/2", arandela de bloqueo y tuerca hexagonal.
  - d) Use una sierra de perforación para ampliar los dos delanteros 1/8. Agujeros de cama a 1-1 / 8 en sólo capa superior. A continuación, utilizar un 9/16 en. Broca para perforar dos orificios en el soporte del lecho directamente por debajo del orificio en la cama del camión.
  - e) Pintar todo el metal desnudo.
8. Coloque los dos espaciadores tubo largo 2,75 pulgadas(14) en los orificios delanteros y la posición del carril de montaje sobre los agujeros
9. Instale los pernos de carruaje de 1/2" x 2" de largo con los espaciadores en forma de U en los orificios posteriores de los soportes posteriores. Coloque los espaciadores en forma de U entre el soporte y la base como se muestra en la Fig. 1 para evitar que la base colapse cuando los pernos se aprieten. Puede ser necesario instalar los espaciadores en U debajo de la base y encima del soporte del bastidor si está perforando dentro del área levantada del corrugado de la base.
10. Instale las de 1/2" x 4-1 / 2" pernos largos de carro (13) a través de los agujeros delanteros en riel trasero, tubo separador, y en los orificios del soporte de cama. Instale el. 1-1 / 2 x 2 pulg. De bloque (16) con arandelas de seguridad (10) y las tuercas (6) en los tornillos (13). Tuercas Snug a mano.

11. Instale los pernos de carruaje de 1/2" x 2" de largo en el orificio central del larguero posterior como se muestra en la Figura 1. Coloque el espaciador en forma de U entre el larguero y la base, e instale el perno con una placa de 1-1/2" x 2", arandela de bloqueo 1/2" y tuerca hexagonal en el fondo.
12. Coloque la 5ta rueda/monturas/deslizador/ganso dentro del larguero de montaje posterior ya instalado. Coloque el segundo larguero de montaje (frente) con el deslizador/monturas/ganso insertando las lengüetas dentro del larguero de montaje y empujando el larguero de montaje firmemente hacia el otro larguero de montaje. Verifique que el larguero de montaje esté centrado entre las costuras de soldar a lo largo del piso de la caja del vehículo. Esto posicionará el larguero de montaje en la ubicación correcta y verificará que la quinta rueda quede ajustada en el vehículo. **NOTA:** Si se va a usar más de un producto de enganche con los largueros entonces se deben usar ambos al mismo tiempo para alejar el segundo larguero. Esto asegurará que un producto no comprometa el ajuste del otro.
13. Repita los pasos 4 y 5 usando los soportes delanteros del bastidor. El soporte debe estar justo detrás del siguiente soporte de la base. Abra los cinco agujeros a 9/16".
14. Pintar todo el metal desnudo.
15. **Instale sin apretar los soportes del bastidor frontales de la siguiente manera:**
  - a) Coloque los soportes frontales en el exterior del bastidor como se muestra en las Figuras 1 y 2. una porción de los soportes del bastidor quedará debajo del soporte de la base.
  - b) Instale un perno en U en cada soporte. El perno en U se envuelve alrededor del interior del bastidor. Instale sin apretar arandelas cónicas de 1/2" y las tuercas hexagonales en los extremos de los pernos en U. **NOTA: El perno en U en el lado del conductor debe colocarse entre la línea del freno y el bastidor. Ver Figura 2. La colocación incorrecta del perno en U en el lado del conductor puede resultar en daños al sistema de frenos del vehículo. Mueva los cables eléctricos fuera del camino.**
16. Instale los pernos de carruaje de 1/2" x 2" de largo y los espaciadores en forma de U en la fila delantera del larguero como se muestra en la Figura 1. Coloque los espaciadores en forma de U entre el larguero y la base. Para instalar los pernos de carruaje en los soportes delanteros del bastidor, use arandelas cónicas de 1/2", arandelas de bloqueo y tuercas hexagonales. Instale pernos de 1/2" x 4-1/2" en los 2 orificios posteriores. Use un perno de 2" de largo en el orificio central. Inserte espaciadores de tubo de 2-1/16" de largo entre el fondo de la base y el soporte del bastidor. Instale los espaciadores en forma de U entre el larguero y la base. Instale las arandelas dentadas, bloquee las arandelas y las tuercas en los pernos.
17. Apriete los tornillos en la siguiente secuencia. 1) apriete los soportes del bastidor en el bastidor del vehículo. 2) apriete los largueros de montaje en los soportes del bastidor. **Apriete a torsión todas las piezas 1/2" Gr5 a 72 pies-lbs. (98 N-m)**
18. Vuelva a instalar el arnés de cableado en el interior del bastidor del lado del conductor. Use el amarre de cables si es necesario.
19. Vuelva a instalar la llanta de repuesto y el escape si se bajó en un paso anterior.

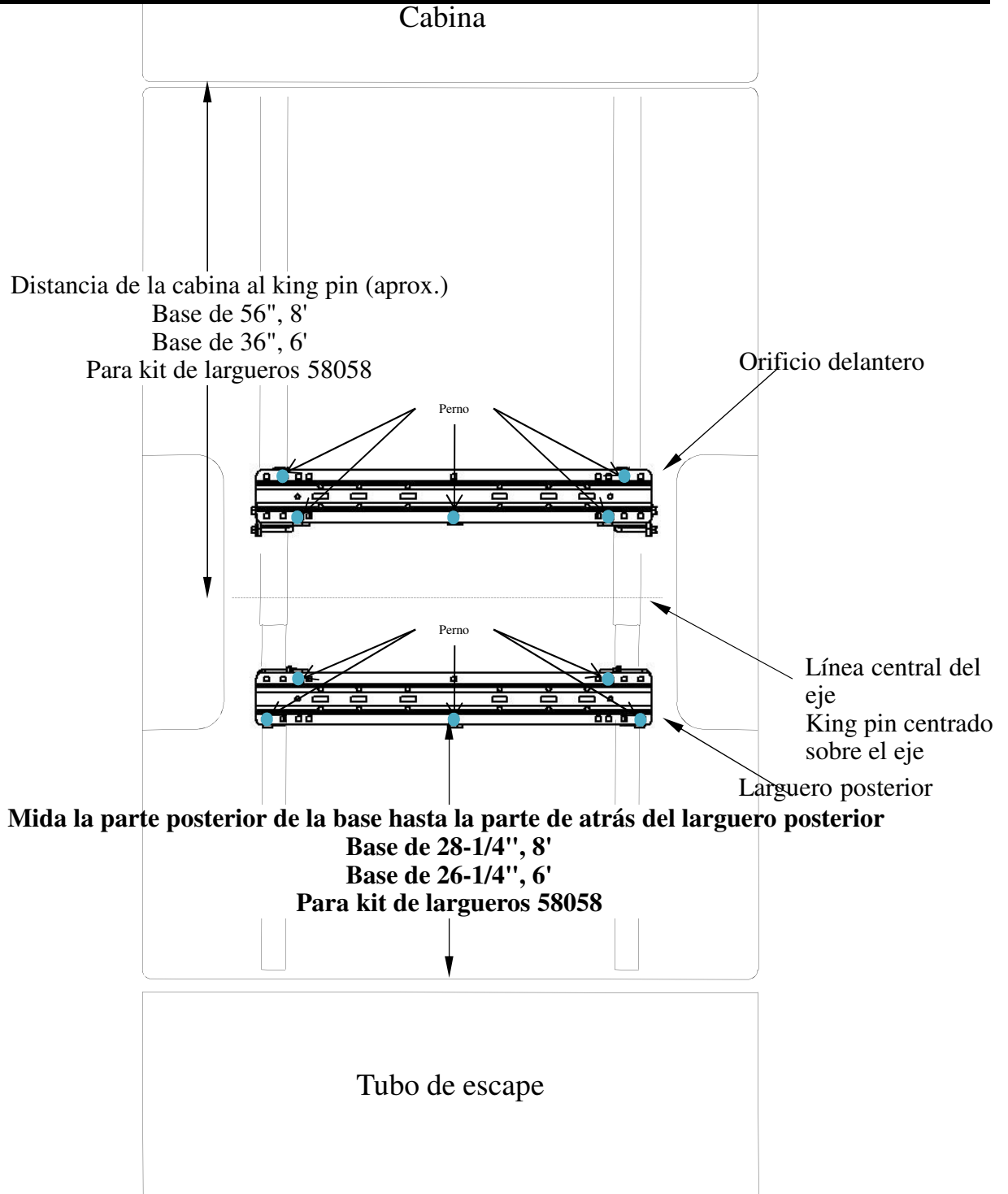
## Para los modelos con motor de gas 2010 - 2012 sólo

20. Siga las instrucciones anteriores pero instale los soportes (2) y (4) en las posiciones inversas.
21. Coloque el soporte 2 en el exterior del larguero del bastidor derecho y el soporte 4 en el exterior del larguero del bastidor izquierdo.
22. Para las ubicaciones de perforación vea la fig. 3A en la página 5.



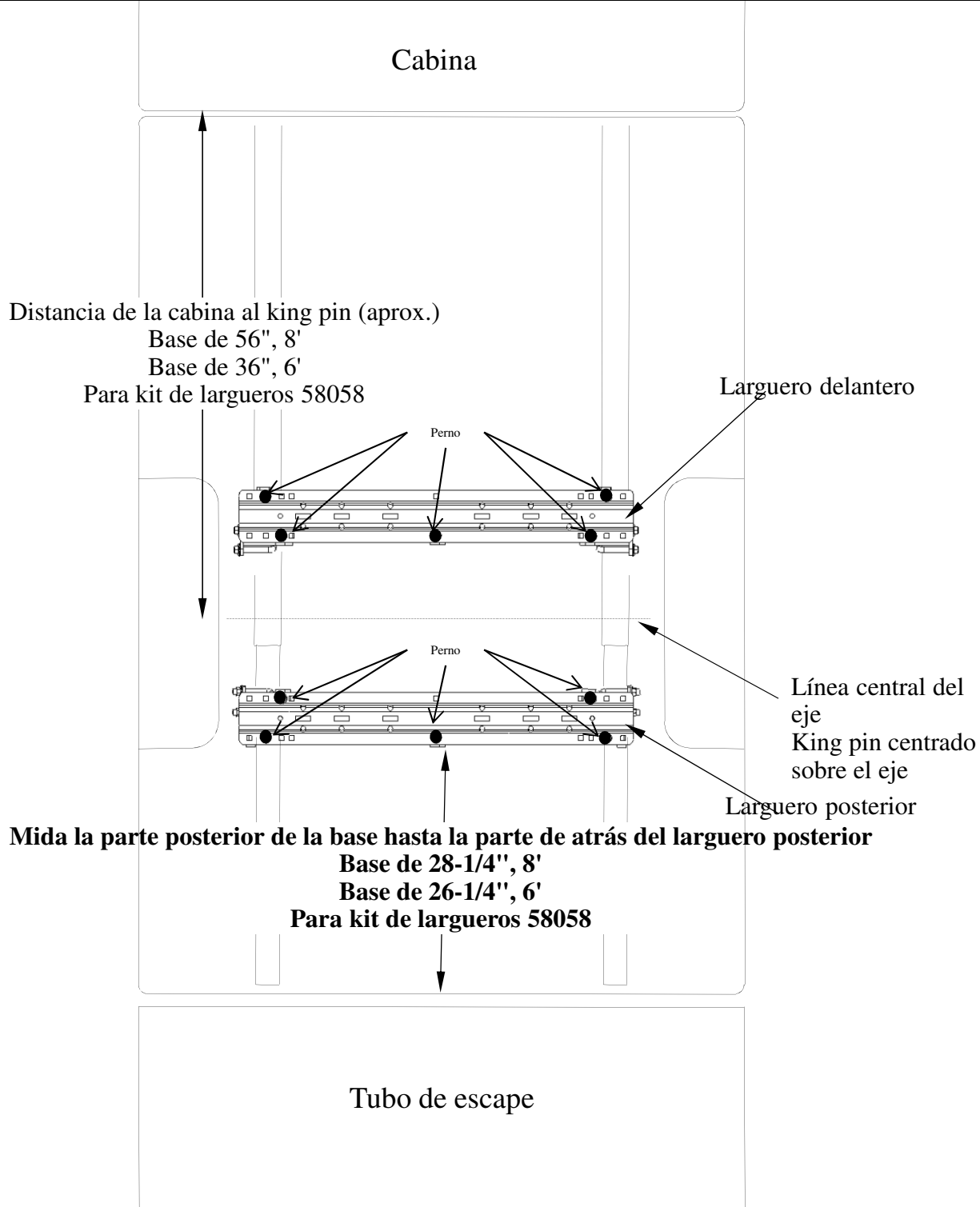
**FIG. 2A**

**USE PARA LA INSTALACIÓN DEL KIT DE LARGUEROS**  
**58058 ÚNICAMENTE**  
**EN VEHÍCULOS CON MOTORES DE DÍSEL ÚNICAMENTE**



**Figura 3**

# **USE PARA LA INSTALACIÓN DEL KIT DE LARGUEROS 58058** **EN VEHÍCULOS CON MOTORES DE GASOLINA ÚNICAMENTE**



**Figura 3A**

# INSTALACIÓN PARA LARGUEROS 30124 ÚNICAMENTE

FRENTE DEL VEHÍCULO

FIG. 4

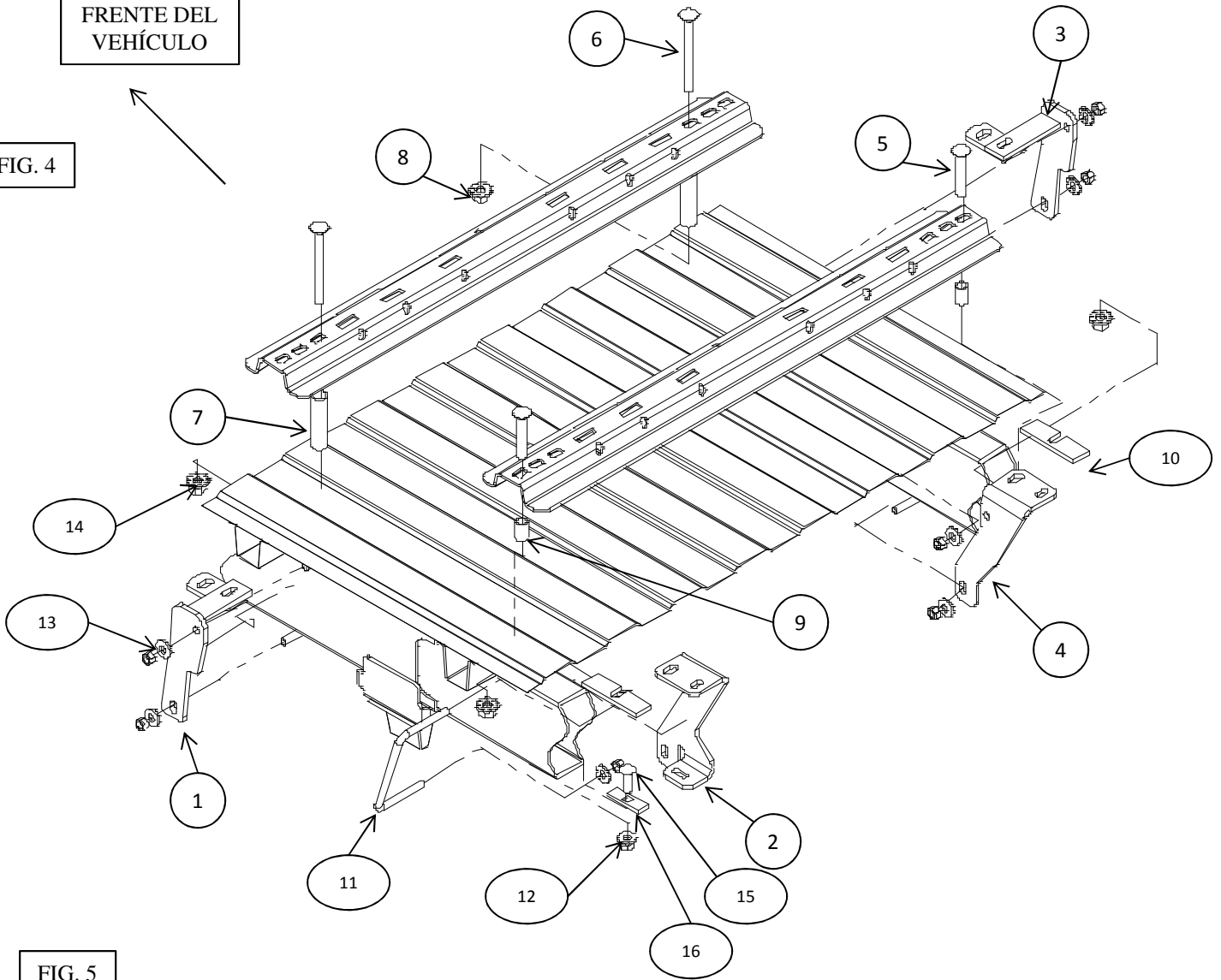
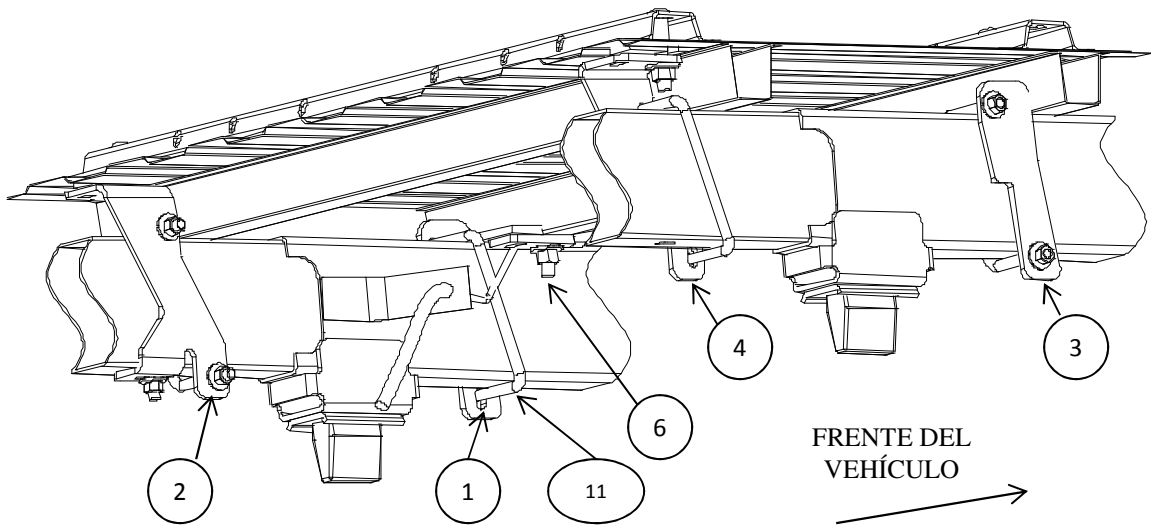


FIG. 5





Los números de piezas son de la Figuras 4 y 5 en la página anterior.

ARTÍCULO No.	DESCRIPCIÓN:	Cant.
1	SOPORTE DEL BASTIDOR, LH DELANTERO	1
2	SOPORTE DEL BASTIDOR, LH POSTERIOR	1
3	SOPORTE DEL BASTIDOR, RH DELANTERO	1
4	SOPORTE DEL BASTIDOR, RH POSTERIOR	1
5	PERNO DE CARRUAJE, 5/8-11 x 3-1/2	2
6	PERNO DE CARRUAJE, 5/8-11 X 6	2
7	ESPACIADOR DE TUBO, 3.94" LARGO	2
8	ARANDELA CÓNICA 5/8"	4
9	ESPACIADOR DE TUBO 1,25" LARGO	2
10	ESPACIADOR 5 x 1-1/2 x 5/16	2
11	PERNO EN U, 1/2-13 x 7-3/4 x 4-1/2	4
12	TUERCA 1/2-13	9
13	ARANDELA CÓNICA 1/2"	9
14	TUERCA 5/8-11	4
15	PERNO DE CARRUAJE, 1/2"-13 x 1-3/4"	1
16	BLOQUE 1 x 3 x 1/4	1

- **No instale largueros de montaje sobre los forros plásticos de la base. Los forros plásticos de la base deben cortarse para permitir contacto de metal a metal. Los largueros de montaje se pueden instalar en forros aplicados con spray.**
- **Use únicamente pernos, tuercas y arandelas suministradas para instalar este kit. Todos los pernos y tuercas son grado 5 a menos que se especifique lo contrario.**
- **Estas instrucciones son pautas únicamente, la instalación real es responsabilidad del instalador y del propietario. Siempre mida el vehículo y el remolque antes de instalar el enganche para verificar que haya espacio en la cabina y en el parachoques para permitir los giros.**

### Para motores de gas vaya al paso 40.

23. Baje y retire la llanta de repuesto si es necesario para acceso adicional al bastidor.
24. Desprenda el arnés del cableado desde el interior del bastidor en el lado del conductor entre el tanque de combustible y el montaje de los amortiguadores.
25. Coloque el larguero de montaje posterior en la caja del vehículo. Usando la cinta de medir, centre el larguero entre las costuras de soldar a lo largo del piso del vehículo y la distancia correcta desde el borde posterior de la caja del vehículo como se ilustra en la Figura 6 en la página 19.
26. Marque y centre los orificios según la ilustración en la Figura 6. Mueva el larguero del camino y perforo cada posición con una broca de 1/8". Los orificios en el larguero posterior deben ir a través del apoyo de la base. **ADVERTENCIA: Al perforar los orificios tenga en cuenta los riesgos potenciales para los componentes del vehículo y tome las medidas necesarias para protegerlos de daños.**
27. Coloque temporalmente los soportes del bastidor en el interior del bastidor y revise que los orificios perforados de 1/8" se alineen con las ranuras del soporte del bastidor. Retire el soporte del bastidor del vehículo si los orificios se alinean. Si no, ajuste los orificios de 1/8" de manera que alineen.
28. Perfore los orificios de 1/8" a 11/16".
29. Pintar todo el metal desnudo.
30. **Instale sin apretar los soportes del bastidor posterior de la siguiente manera:**
  - a) Coloque los soportes posteriores en el interior del bastidor como se muestra en las Figuras 4 y 5.
  - b) Instale un perno en U en cada soporte. Los pernos en U se envuelven alrededor del exterior del bastidor, detrás del soporte de la base posterior. Instale sin apretar arandelas cónicas de 1/2" y las tuercas hexagonales en los extremos de los pernos en U. **NOTA: Podría ser necesario bajar el escape temporalmente para obtener acceso al extremo del perno en U del fondo en el soporte del bastidor posterior del lado del pasajero, dependiendo del vehículo.**
  - c) Inserte un perno de carruaje de 1-3/4" y un espaciador de 1" x 3" en su posición en la ranura al fondo del bastidor izquierdo usando un cable para halar. Hay un orificio redondo en el interior del bastidor que se puede usar para insertar las piezas. Sin apretar sujete el perno de carruaje con una arandela cónica de 1/2 y tuerca hexagonal.
31. Vuelva a colocar los largueros de montaje sobre los orificios. Coloque el espaciador de 1-1/4" entre el larguero y la base. Coloque el espaciador de 1-1/2" x 5" entre los largueros y la base en el corrugado de manera que la base no colapse cuando los pernos se aprieten. Podría ser necesario que el espaciador esté debajo de la base entre el soporte y la base si el corrugado está arriba en el punto de unión del perno.
32. Instale los pernos de carruaje de 5/8" x 3-1/2" de largo a través del larguero, el espaciador de tubo y el orificio en el soporte del bastidor debajo de la base del vehículo. Instale una arandela cónica y tuerca de 5/8". Apriete las tuercas a mano.

33. Coloque la 5ta rueda/monturas/deslizador/ganso dentro del larguero de montaje ya instalado. Coloque el segundo larguero de montaje (frente) con el deslizador/monturas/ganso insertando las lengüetas dentro del larguero de montaje y empujando el larguero de montaje firmemente hacia el otro larguero de montaje. Verifique que el larguero de montaje esté centrado entre las costuras de soldar a lo largo del piso de la caja del vehículo. Esto posicionará el larguero de montaje en la ubicación correcta y verificará que la quinta rueda quede ajustada en el vehículo. **NOTA:** Si se va a usar más de un producto de enganche con los largueros entonces se deben usar ambos al mismo tiempo para alejar el segundo larguero. Esto asegurará que un producto no comprometa el ajuste del otro.
34. Repita los pasos 26 y 27 usando los soportes delanteros del bastidor. El soporte debe estar justo detrás del soporte de la base frontal y colocarse en el exterior del bastidor. Perfore los orificios a  $1/8''$  con una sierra de copa si los orificios de  $1/8''$  se alinean. Orificios en la base únicamente. Perfore los orificios en el fondo del soporte de la base a  $11/16''$ .
35. **Instale sin apretar los soportes del bastidor frontales de la siguiente manera:**
  - a) Coloque los soportes frontales en el exterior del bastidor como se muestra en las Figuras 4 y 5.
  - b) Instale un perno en U en cada soporte. El perno en U se envuelve alrededor del interior del bastidor. Instale sin apretar arandelas cónicas de  $1/2''$  y las tuercas hexagonales en los extremos de los pernos en U. **NOTA: El perno en U en el lado del conductor debe colocarse entre la línea del freno y el bastidor. Ver Figura 5. La colocación incorrecta del perno en U en el lado del conductor puede resultar en daños al sistema de frenos del vehículo. Mueva el arnés de cables eléctricos fuera del camino.**
36. Inserte un perno de carruaje de  $5/8'' \times 6''$  de largo a través del larguero, soporte de la base, espaciador de tubo de  $4''$  y hacia afuera a través del soporte del bastidor abajo. Instale una arandela cónica de  $5/8''-13$  y tuerca  $5/8''$  en el perno.
37. Apriete los tornillos en la siguiente secuencia. 1) apriete los largueros de montaje en los soportes del bastidor 2) apriete los soportes del bastidor en el bastidor del vehículo. **Apriete a torsión todas las piezas  $5/8''$  Gr5 a 150 pies-lbs. (203 N-m)**
38. Vuelva a instalar el arnés de cableado en el interior del bastidor del lado del conductor. Use el amarre de cables si es necesario.
39. Vuelva a instalar la llanta de repuesto y el escape si se bajó en un paso anterior.

## Para los modelos con motor de gas 2010 - 2012 sólo

40. Siga las instrucciones anteriores pero instale los soportes (2) y (4) en las posiciones inversas.
41. Coloque el soporte 2 en el exterior del larguero del bastidor derecho y el soporte 4 en el exterior del larguero del bastidor izquierdo. Ver abajo.
42. Para las ubicaciones de perforación vea la fig. 6A en la página 20.

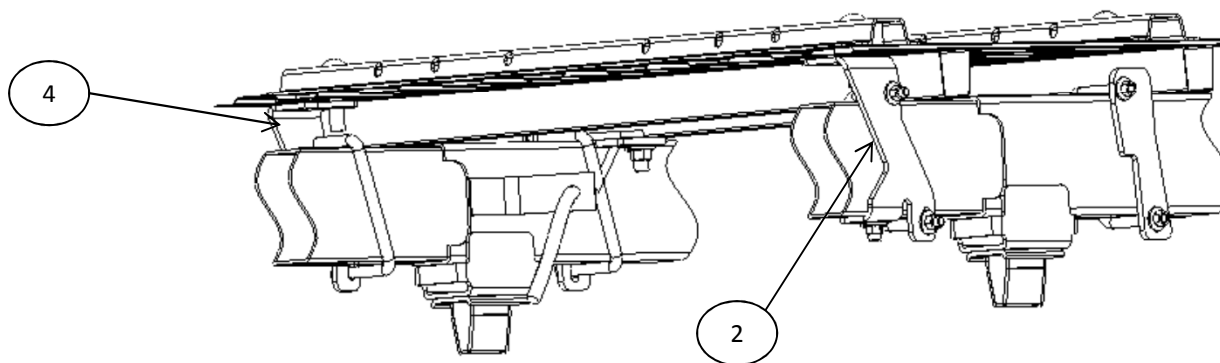
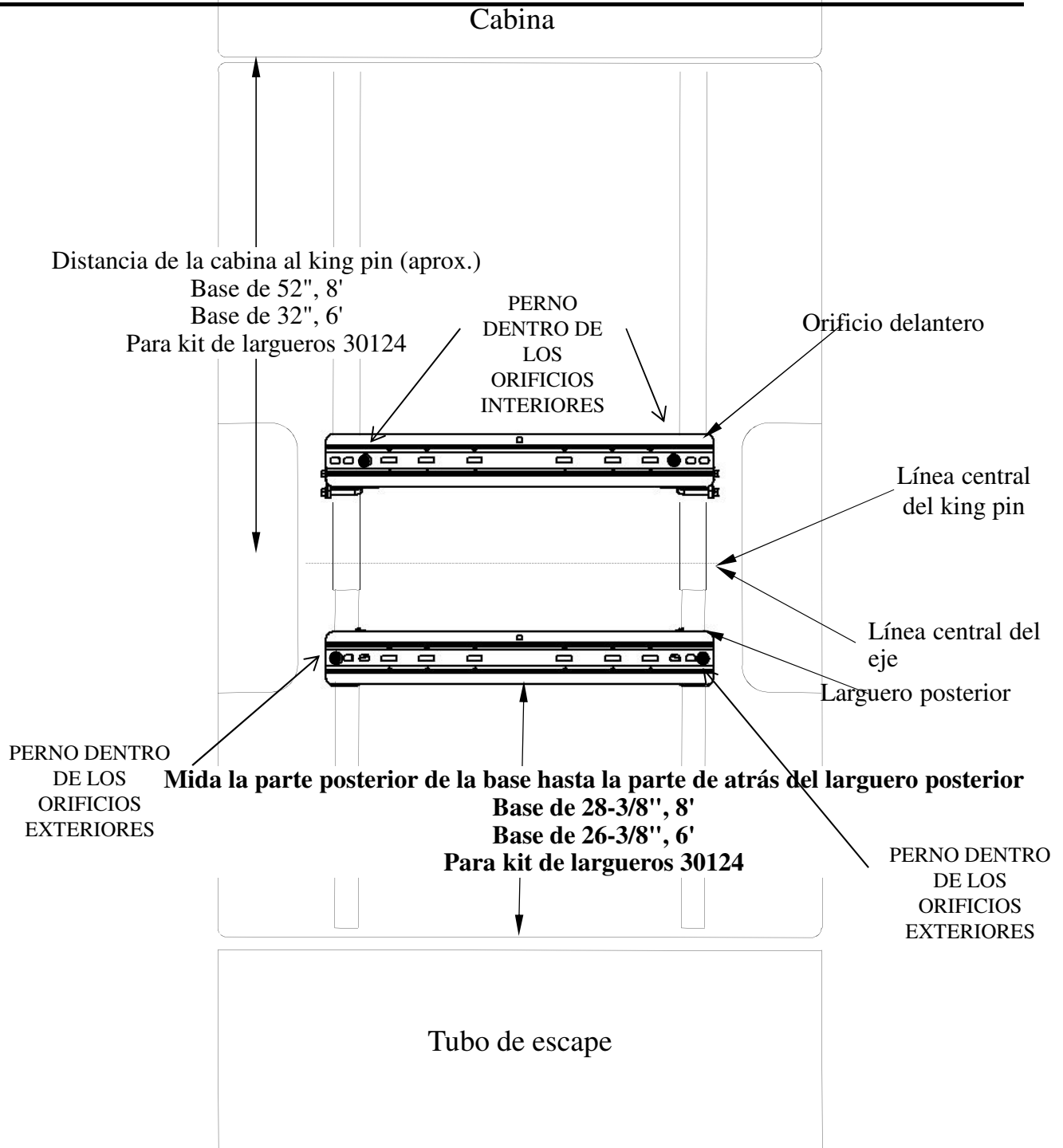


Figura 5A

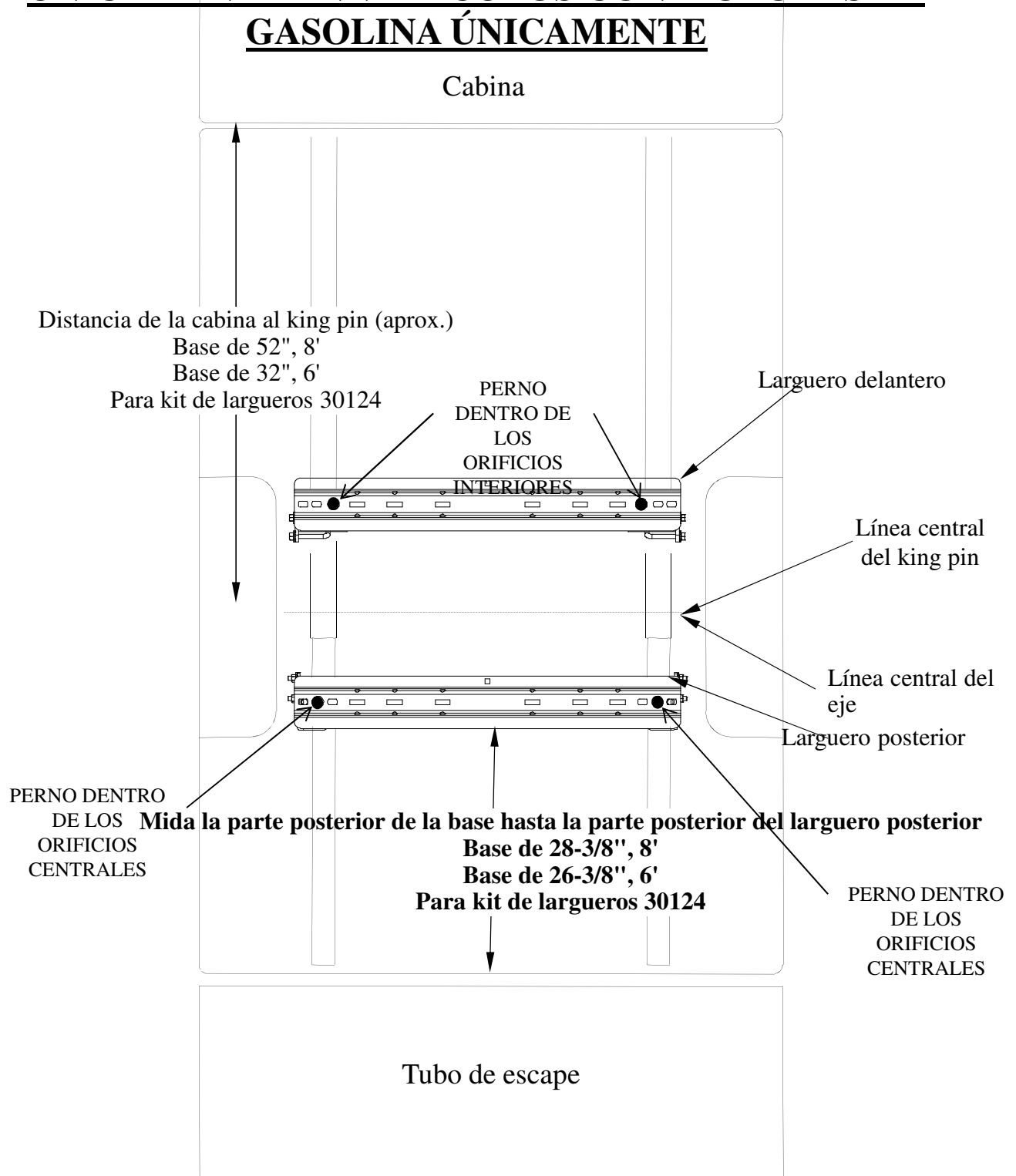
**USE PARA LA INSTALACIÓN DEL KIT DE LARGUEROS 30124**  
**ÚNICAMENTE**

**EN VEHÍCULOS CON MOTORES DE DÍSEL ÚNICAMENTE**



**Figura 6**

**USE PARA LA INSTALACIÓN DEL KIT DE LARGUEROS 30124**  
**ÚNICAMENTE EN VEHÍCULOS CON MOTORES DE**  
**GASOLINA ÚNICAMENTE**



**Figura 6A**

# Instructions d'installation

Numéros de pièce :

## NÉCESSAIRE DE MONTAGE RAPIDE SUR MESURE

50140

Dodge Ram 2500/3500 Standard et Quad Cab, 2003 - 2012

Dodge Ram Megacab 1500, 2006-2008, Dodge Ram Megacab 2500/3500, 2006-2009

Dodge Ram Megacab 2500/3500, sauf moteur à gaz avec des ressorts de surcharge, 2010-2012

### Équipement requis :

Visserie : 116629

Clés : 3/4, 7/8, 15/16

Mèches : 1/8", 9/16", 11/16"

Autres outils : Pointeau, ruban à mesurer, scie-cloche 1-1/8"

**AVERTISSEMENT :** En aucun cas nous ne recommandons de dépasser la capacité de charge indiquée par le fabricant du véhicule de remorquage.

## INSTALLATION DES TRAVERSES 58058

Certaines fixations illustrées sont fournies avec le nécessaire de traverses.

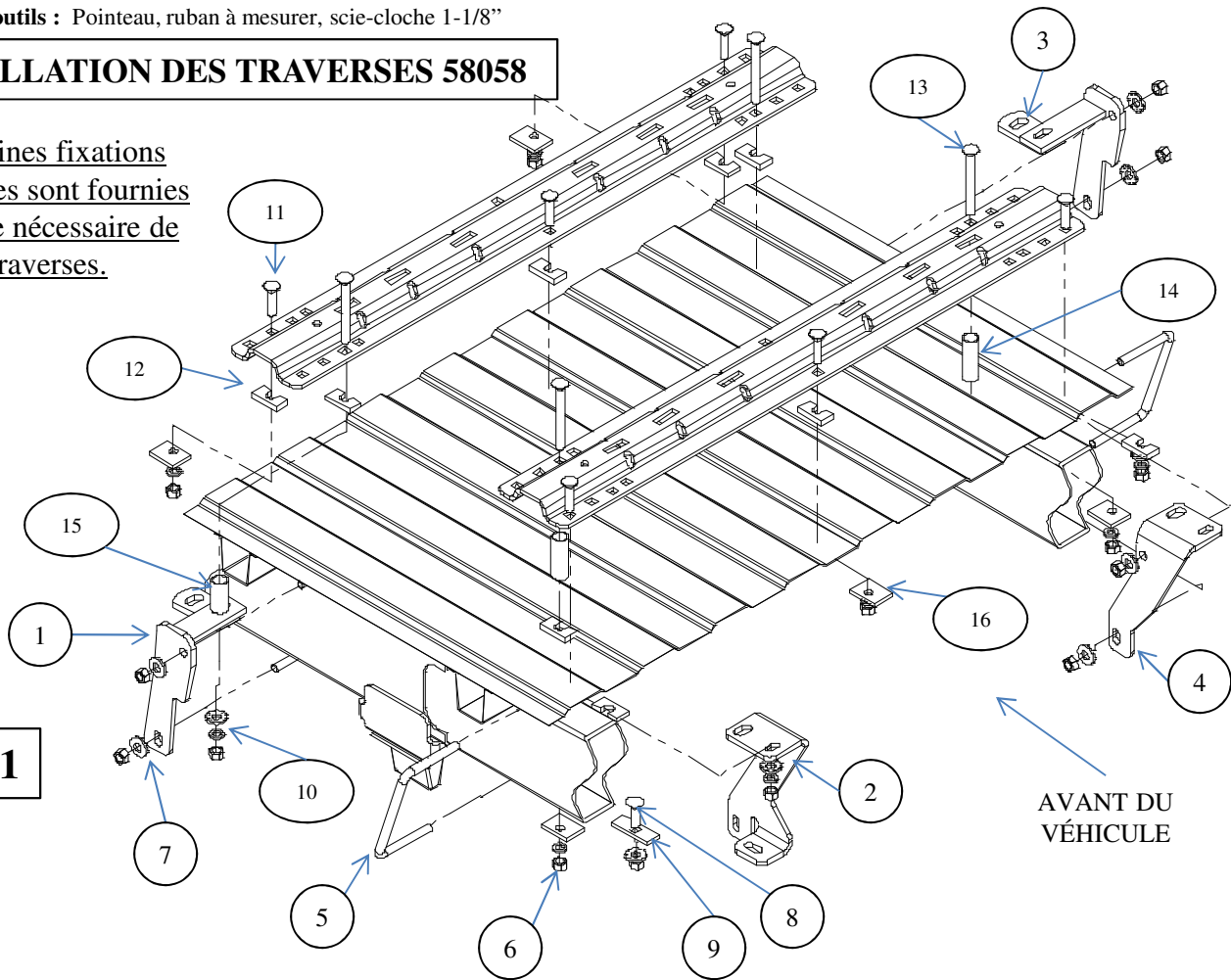


FIG. 1

INTÉRIEUR DU CADRE

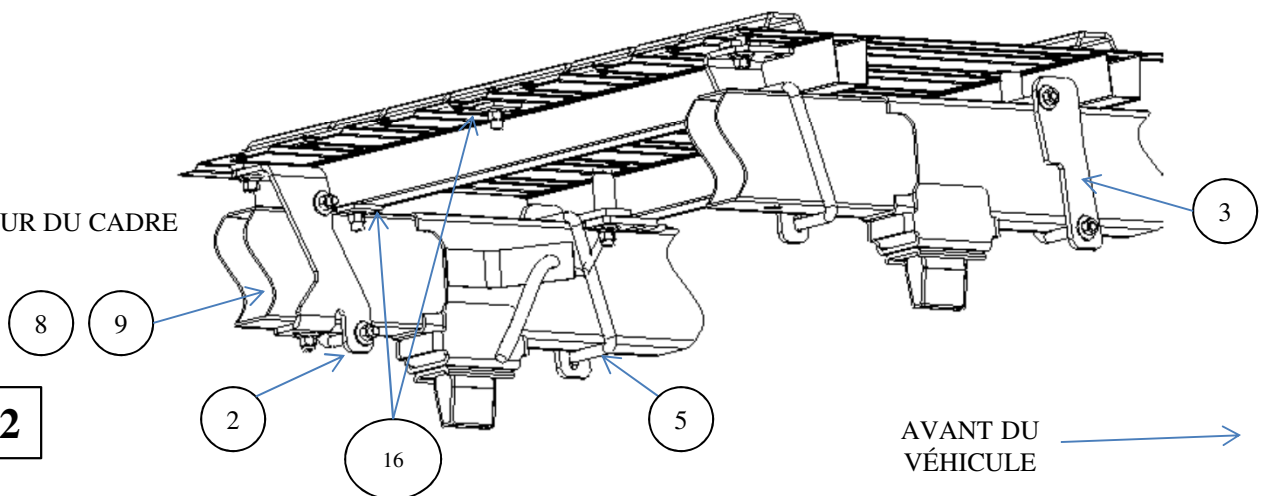


FIG. 2

Les numéros d'article proviennent des figures 1 et 2 de la page précédente.

N ART.	DESCRIPTION	QTÉ
1	SUPPORT DE CADRE, AVANT GCH	1
2	SUPPORT DE CADRE, ARRIÈRE GCH	1
3	SUPPORT DE CADRE, AVANT DRT	1
4	SUPPORT DE CADRE, ARRIÈRE DRT	1
5	BOULON EN U, 1/2-13 x 7-3/4 x 4-1/2	4
6	ÉCROU – 1/2-13	19
7	RONDELLE CONIQUE 1/2"	20
8	BOULON DE CARROSSERIE 1/2-13 X 1-3/4"	1
9	BLOC 1 x 3 x 1/4	1
10	RONDELLE FREIN 1/2"	10
11	BOULON DE CARROSSERIE 1/2-13 x 2	6
12	BLOC ESPACEUR, 2 x 1 x 5/16"	8
13	BOULON DE CARROSSERIE 1/2-13 X 4-1/2"	4
14	ESPACEUR TUBULAIRE 2,75" LONG	2
15	ESPACEUR TUBULAIRE 2,06" LONG	2
16	BLOC 1-1/2 x 2 x 1/4"	6

- **N'installez pas les traverses sur la doublure de caisse en plastique. La doublure de caisse en plastique doit être découpée pour permettre le contact métal à métal. Les traverses peuvent être installées sur une doublure pulvérisée en place.**
- **Utilisez seulement les boulons, écrous et rondelles fournis pour installer ce produit. Tous les boulons et les écrous sont de classe 5 sauf indication contraire.**
- **Ces instructions sont données à titre indicatif, l'installation demeure la responsabilité de l'installateur et du propriétaire. Mesurez toujours la camionnette et la remorque avant d'installer l'attelage pour vous assurer que le dégagement à la cabine et au pare-chocs est suffisant pour permettre les virages.**

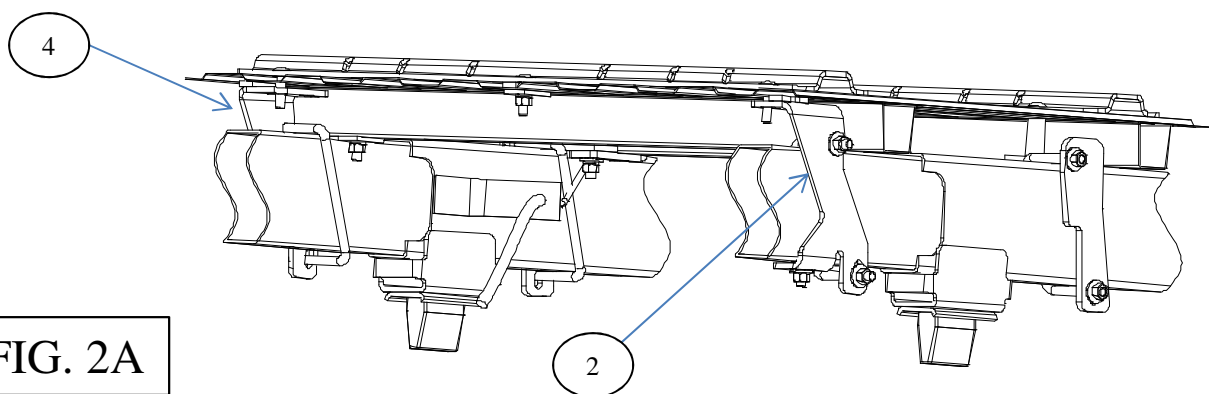
#### **Instructions d'installation** - Pour moteurs à essence, aller à l'étape 20.

1. Abaisser et enlever le pneu de secours au besoin pour un accès suffisant au cadre. REMARQUE : Il se peut que l'échappement doive être temporairement abaissé pour obtenir l'accès à l'extrémité du boulon en U inférieur sur le support de cadre, tout dépendant du modèle de véhicule. Il peut être retenue à l'extrémité de tiges de support d'échappement à être retirés avant isolateur en caoutchouc est retiré.
2. Détacher le faisceau de fils de l'intérieur du cadre côté conducteur, entre le réservoir d'essence et le montage de l'amortisseur.
3. Placer la traverse de montage arrière dans la caisse de la camionnette. À l'aide du ruban à mesurer, centrer la traverse du plancher de caisse, et déterminer la distance appropriée à partir du bord arrière de la caisse, comme illustré à la Figure 3 de la page 24.
4. Marquer l'emplacement des trous à l'aide d'un pointeau, comme illustré à la Figure 3. Écarter la traverse et percer chaque marque à l'aide d'une mèche 1/8 po. La rangée frontale de trous sur la traverse arrière doit passer à travers le support de plateforme.  
**AVERTISSEMENT : Lors du perçage, veiller à ne pas endommager les composants du véhicule et à prendre les mesures de protection nécessaires.**
5. Placer temporairement les supports de cadre arrière sur l'intérieur du cadre comme illustré aux Figs 1 et 2 et vérifier que les trous percés de 1/8 po s'alignent sur les fentes du support de cadre. Enlever le support de cadre du véhicule si les trous s'alignent. Sinon, ajuster les trous 1/8 po de façon qu'ils s'alignent correctement.
6. Agrandir le trois arrière 1/8 po. Trous forés à 9/16 po.
7. **Posez les supports de cadre arrière sans trop serrer, comme suit :**
  - a) Placer les supports arrière sur l'intérieur du cadre, comme illustré aux Figures 1 et 2.
  - b) Poser un boulon en U sur chaque support. Le boulon en U entoure l'extérieur du cadre, juste derrière le support de plateforme arrière. Poser sans trop serrer des rondelles coniques et des écrous hex. 1/2 po sur les extrémités des boulons en U.
  - c) Côté conducteur seulement, à l'aide d'un fil de tirage, acheminer un boulon de carrosserie 1-3/4 po et un espaceur 1 x 3 po en position à travers la fente dans le bas du cadre. Il y a un trou rond sur l'intérieur du cadre qui peut servir à faire passer la boulonnerie. Fixer le boulon de carrosserie à l'aide d'une rondelle conique, d'une rondelle frein et d'un écrou hex. 1/2 po.
  - d) Utilisez une scie cloche pour agrandir les deux avant 1/8 po. Lit trous à 1-1 / 8 dans la couche supérieure uniquement. Ensuite, utilisez un 9/16 dans. Foret pour percer deux trous dans le support de lit directement sous le trou dans le lit de camion.
  - e) Peindre tout métal nu.
8. Placer les deux entretoises 2,75 "long tube (14) dans les trous avant et repositionner le rail de montage sur les trous.
9. Poser les boulons de carrosserie 1/2 x 2 po avec les espaceurs en forme de U dans les trous arrière des supports arrière. Placer les espaceurs en forme de U entre le support et la plateforme, comme illustré à la Figure 1, afin d'éviter l'affaissement de la plateforme lors du serrage des boulons. Il se peut que les espaceurs en U doivent être posés sous la plateforme et au-dessus du support de cadre si l'on perce dans les sections hautes des ondulations de la plateforme.
10. Installer le 1/2 in. X 4-1 / 2 in. Longs boulons de carrosserie vers le bas à travers des trous dans le rail avant arrière, l'entretoise, et dans les trous du support de lit. Installez le 1-1 / 2 po. X 2 po. Bloc avec les rondelles de blocage et les écrous sur les boulons . Serrer les écrous à la main

11. Poser le boulon de carrosserie 1/2 x 2 po dans le trou central de la traverse arrière, comme illustré à la Figure 1. Placer un espaceur en U entre la traverse et la plateforme, et poser le boulon dans le bas à l'aide d'une plaque 1-1/2 x 2, d'une rondelle frein 1/2 po et d'un écrou hexagonal.
12. Placer l'attelage non assemblé (socle de sellette, curseur ou col de cygne) dans la traverse de montage déjà montée. Mettre la seconde traverse (avant) et l'attelage (socle de sellette, curseur ou col de cygne) en place en insérant les languettes dans la traverse, puis en poussant cette dernière à fond vers l'autre traverse. S'assurer que la traverse est centrée entre les joints de soudure sur la longueur du plancher de la camionnette. La traverse sera ainsi à la position appropriée et la sellette sera bien ajustée à la camionnette. **REMARQUE** : Si plus d'un attelage doit être posé sur les traverses, alors les deux doivent être utilisés en même temps pour aligner la seconde traverse. De cette façon, un attelage ne gênera pas l'ajustement de l'autre.
13. Répétez les étapes 4 et 5 en utilisant les supports de châssis avant. Le support doit être juste en arrière de la prochaine support de lit. Ouvrez tous les cinq trous à 9/16 ".
14. Peindre tout métal nu.
15. **Poser sans trop serrer les supports de cadre avant comme suit :**
  - a) Placer les supports avant sur l'extérieur du cadre, comme illustré aux Figures 1 et 2. Une partie des supports de cadre se trouveront sous le support de plateforme.
  - b) Poser un boulon en U sur chaque support. Le boulon en U entoure l'intérieur du cadre. Poser sans trop serrer des rondelles coniques et des écrous hex. 1/2 po sur les extrémités des boulons en U. **REMARQUE** : Le boulon en U côté conducteur doit être placé entre la conduite de frein et le cadre. Voir la Figure 2. Un mauvais positionnement du boulon en U côté conducteur peut causer des dommages au système de freins du véhicule. Placer les fils électriques de façon qu'ils ne nuisent pas.
16. Poser les boulons de carrosserie 1/2 x 2 po et les espaceurs en U dans la rangée avant de la traverse, comme illustré à la Figure 1. Placer les espaceurs en U entre la traverse et la plateforme. Pour poser les boulons de carrosserie dans les supports de cadre avant, utiliser des rondelles coniques 1/2 po, des rondelles freins 1/2 po et des écrous hexagonaux. Poser les boulons 1/2 x 4-1/2 po dans les 2 trous arrière. Utiliser un boulon 2 po pour le trou central. Insérer des espaceurs tubulaires 2-1/16 po entre le bas de la plateforme et le support de cadre. Poser les espaceurs en U entre la traverse et la plateforme. Poser des rondelles striées, des rondelles frein et des écrous 1/2 po sur les boulons.
17. Serrer les fixations selon la séquence suivante : 1) les supports de cadre contre le cadre de la camionnette, 2) les traverses contre les supports de cadre **Serrer toute la visserie 1/2 po Gr5 au couple de 72 lb-pi (98 N\*M).**
18. Rattacher le faisceau de fils sur l'intérieur du cadre côté conducteur. Utiliser une attache de câble, si nécessaire.
19. Remonter le pneu de secours, et aussi l'échappement s'il a été abaissé lors d'une étape précédente.

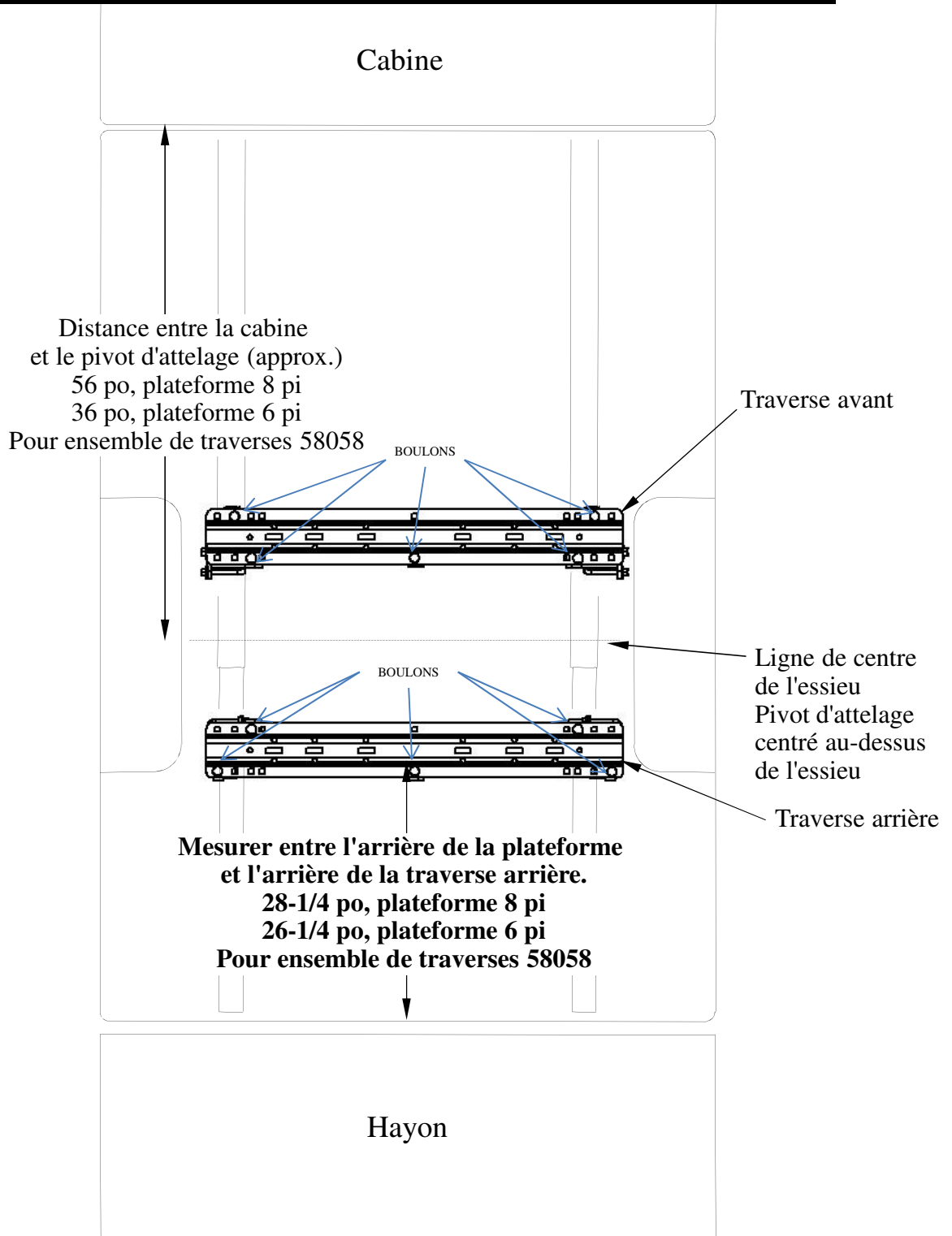
## Modèles à moteur à essence 2010 - 2012 seulement.

20. Suivre les instructions précédentes mais poser les supports (2) et (4) en position inversée.
21. Placer le support 2 sur l'extérieur du longeron droit et le support 4 sur l'extérieur du longeron gauche.
22. Pour les endroits à percer, voir la Fig. 3A à la page 25.



**FIG. 2A**

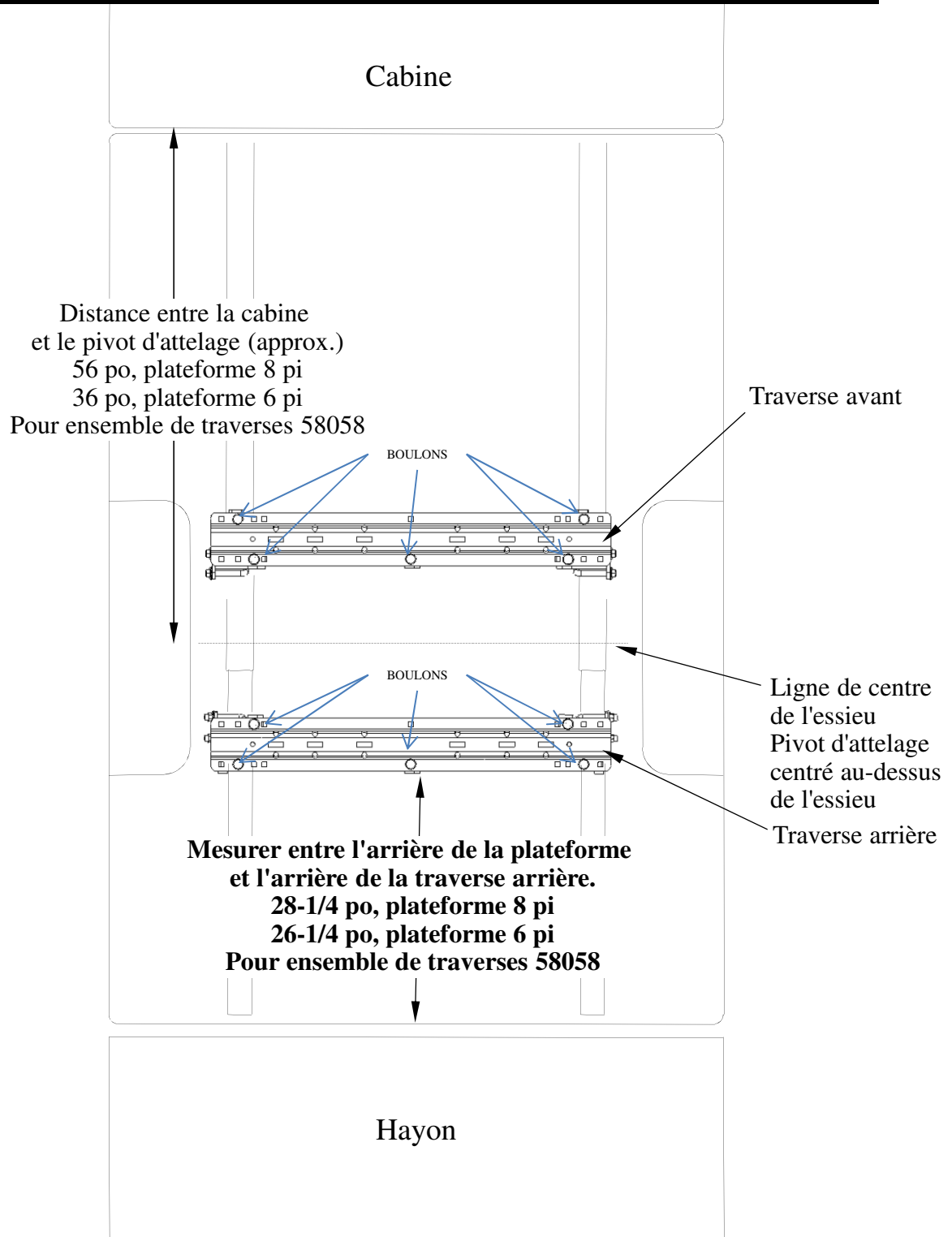
**POUR UTILISATION AVEC ENSEMBLE DE TRAVERSES 58058 SEULEMENT**  
**CAMIONNETTES À MOTEUR DIÉSEL SEULEMENT**



**Figure 3**



**POUR UTILISATION AVEC ENSEMBLE DE TRAVERSES**  
**58058 SEULEMENT**  
**CAMIONNETTES À MOTEUR À ESSENCE SEULEMENT**



**Figure 3A**

# INSTALLATION DES TRAVERSES 30124 SEULEMENT

AVANT DU  
VÉHICULE

FIG. 4

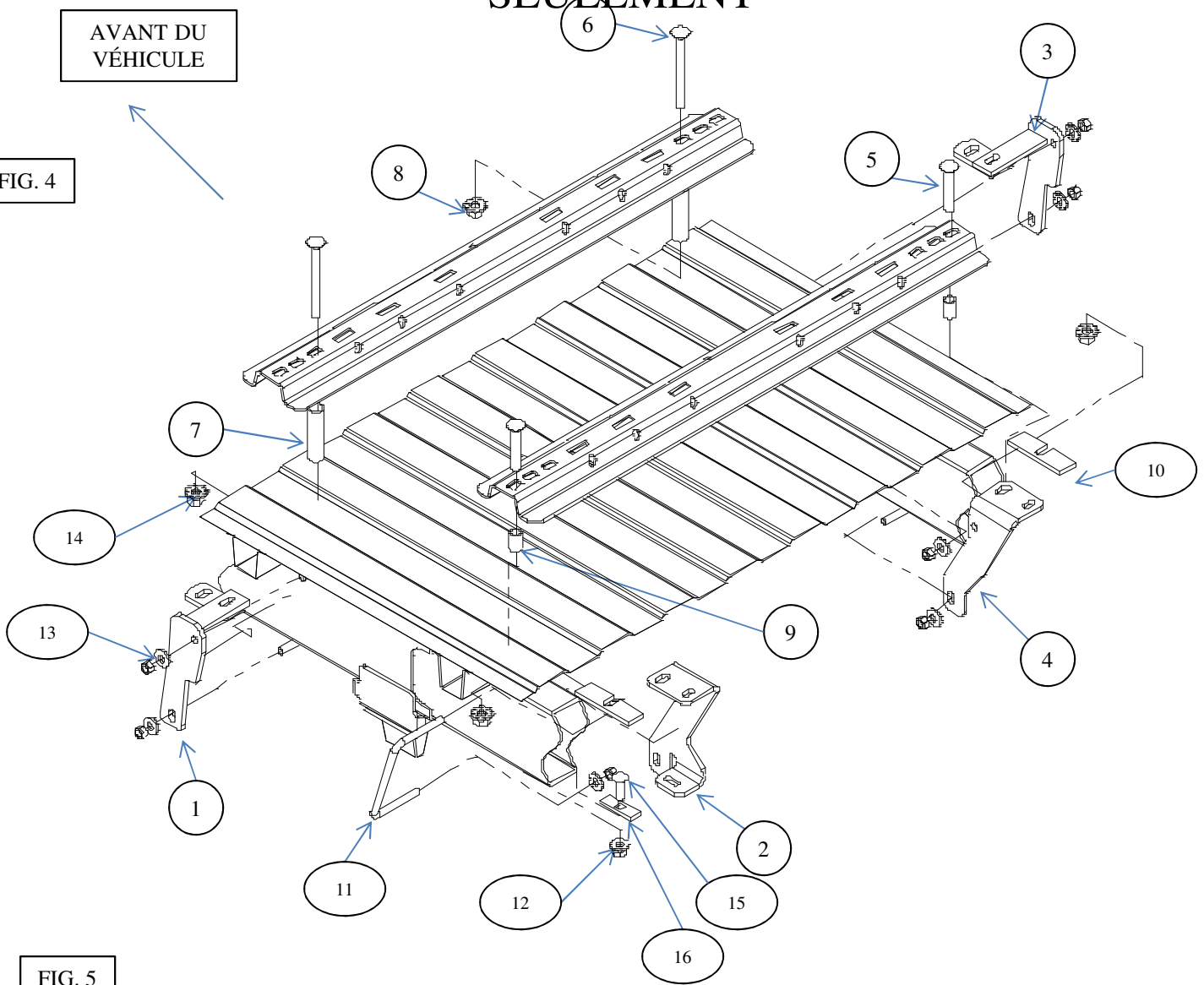
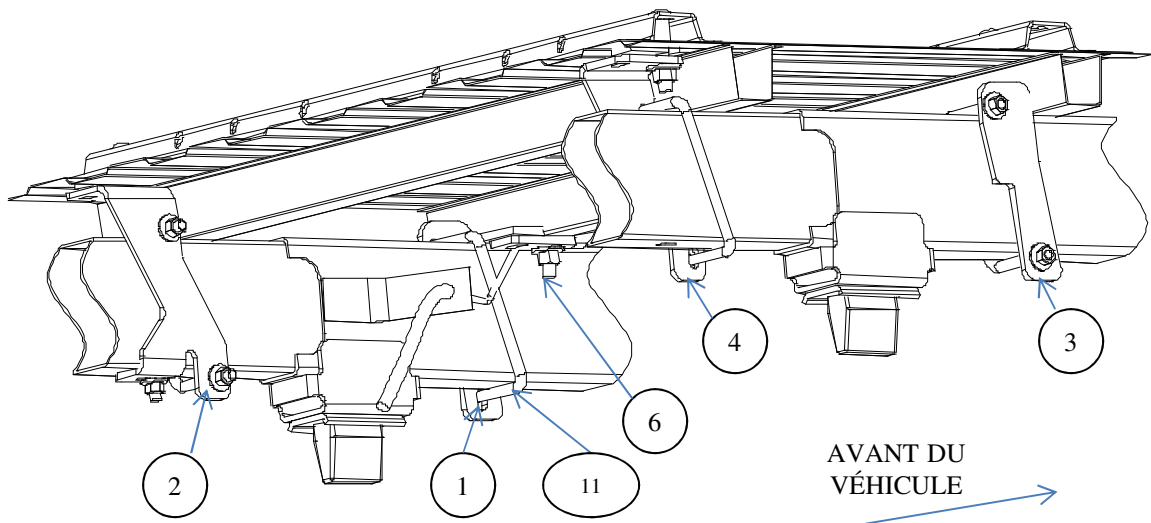


FIG. 5



Les numéros d'article proviennent des figures 4 et 5 de la page précédente.

N ART.	DESCRIPTION	QTÉ
1	SUPPORT DE CADRE, AVANT GCH	1
2	SUPPORT DE CADRE, ARRIÈRE GCH	1
3	SUPPORT DE CADRE, AVANT DRT	1
4	SUPPORT DE CADRE, ARRIÈRE DRT	1
5	BOULON DE CARROSSERIE 5/8-11 x 3-1/2	2
6	BOULON DE CARROSSERIE 5/8-11 x 6	2
7	ESPACEUR TUBULAIRE 3,94" LONG	2
8	RONDELLE CONIQUE 5/8"	4
9	ESPACEUR TUBULAIRE 1,25" LONG	2
10	ESPACEUR 5 x 1-1/2 x 5/16	2
11	BOULON EN U, 1/2-13 x 7-3/4 x 4-1/2	4
12	ÉCROU – 1/2-13	9
13	RONDELLE CONIQUE 1/2"	9
14	ÉCROU – 5/8-11	4
15	BOULON DE CARROSSERIE 1/2-13 X 1-3/4"	1
16	BLOC 1 x 3 x 1/4	1

- **N'installez pas les traverses sur la doublure de caisse en plastique. La doublure de caisse en plastique doit être découpée pour permettre le contact métal à métal. Les traverses peuvent être installées sur une doublure pulvérisée en place.**
- **Utilisez seulement les boulons, écrous et rondelles fournis pour installer ce produit. Tous les boulons et les écrous sont de classe 5 sauf indication contraire.**
- **Ces instructions sont données à titre indicatif, l'installation demeure la responsabilité de l'installateur et du propriétaire. Mesurez toujours la camionnette et la remorque avant d'installer l'attelage pour vous assurer que le dégagement à la cabine et au pare-chocs est suffisant pour permettre les virages.**

### Pour moteurs à essence, aller à l'étape 39.

23. Abaisser et enlever le pneu de secours au besoin pour un accès suffisant au cadre.
24. Détacher le faisceau de fils de l'intérieur du cadre côté conducteur, entre le réservoir d'essence et le montage de l'amortisseur.
25. Placer la traverse de montage arrière dans la caisse de la camionnette. À l'aide du ruban à mesurer, centrer la traverse entre les joints de soudure sur la longueur du plancher de caisse, et déterminer la distance appropriée à partir du bord arrière de la caisse, comme illustré à la Figure 6 de la page 29.
26. Marquer l'emplacement des trous à l'aide d'un pointeau, comme illustré à la Figure 6. Écarter la traverse et percer chaque marque à l'aide d'une mèche 1/8 po. Les trous de la traverse arrière doivent passer à travers le support de plateforme.  
**AVERTISSEMENT : Lors du perçage, veiller à ne pas endommager les composants du véhicule et à prendre les mesures de protection nécessaires.**
27. Placer temporairement les supports de cadre sur l'intérieur du cadre et vérifier que les trous percés de 1/8 po s'alignent sur les fentes du support de cadre. Enlever le support de cadre du véhicule si les trous s'alignent. Sinon, ajuster les trous 1/8 po de façon qu'ils s'alignent correctement.
28. Agrandir les trous percés de 1/8 po à 11/16 po.
23. Peindre tout métal nu.
- 29. Posez les supports de cadre arrière sans trop serrer, comme suit :**
  - a) Placer les supports arrière sur l'intérieur du cadre, comme illustré aux Figures 4 et 5.
  - b) Poser un boulon en U sur chaque support. Le boulon en U entoure l'extérieur du cadre, juste derrière le support de plateforme arrière. Poser sans trop serrer des rondelles coniques et des écrous hex. 1/2 po sur les extrémités des boulons en U. **REMARQUE : Il se peut que l'échappement doive être temporairement abaissé pour obtenir l'accès à l'extrémité du boulon en U inférieur sur le support de cadre, tout dépendant du modèle de véhicule.**
  - c) À l'aide d'un fil de tirage, acheminer un boulon de carrosserie 1-3/4 po et un espaceur 1 x 3 po en position à travers la fente dans le bas du cadre de gauche. Il y a un trou rond sur l'intérieur du cadre qui peut servir à faire passer la boulonnerie. Fixer le boulon de carrosserie à l'aide d'une rondelle conique et d'un écrou hex. 1/2 po.
30. Repositionner les traverses de montage au-dessus des trous. Placer les espaceurs 1-1/4 po entre la traverse et la plateforme. Placer un espaceur 1-1/2" x 5" entre les traverses et la plateforme dans la cannelure de façon que la plateforme n'écrase pas lors du serrage des boulons. Il se peut que l'espaceur doive se placer sous la plateforme, entre le support et la plateforme, si la cannelure est en position haute au point de boulonnage.
31. Poser les boulons de carrosserie 5/8 X 3-1/2 po vers le bas à travers la traverse, l'espaceur tubulaire et le trou dans le support de cadre sous la plateforme. Poser les rondelles coniques et les boulons 5/8 po. Serrer les écrous à la main.

32. Placer l'attelage non assemblé (socle de sellette, curseur ou col de cygne) dans la traverse de montage arrière déjà montée. Mettre la seconde traverse (avant) et l'attelage (socle de sellette, curseur ou col de cygne) en place en insérant les languettes dans la traverse, puis en poussant cette dernière à fond vers l'autre traverse. S'assurer que la traverse est centrée entre les joints de soudure sur la longueur du plancher de la camionnette. La traverse sera ainsi à la position appropriée et la sellette sera bien ajustée à la camionnette. **REMARQUE** : Si plus d'un attelage doit être posé sur les traverses, alors les deux doivent être utilisés en même temps pour aligner la seconde traverse. De cette façon, un attelage ne gênera pas l'ajustement de l'autre.
33. Répéter les étapes 26 et 27 en utilisant les supports de cadre avant. Le support doit se trouver juste à l'arrière du support de plateforme avant et être placé sur l'extérieur du cadre. Agrandir les trous à 1-1/8 po avec la scie-cloche si les trous 1/8 po s'alignent. Trous dans la plateforme seulement. Agrandir à 11/16 po les trous dans le bas du support de plateforme.
34. **Poser sans trop serrer les supports de cadre avant comme suit :**
  - a) Placer les supports avant sur l'extérieur du cadre, comme illustré aux Figures 4 et 5.
  - b) Poser un boulon en U sur chaque support. Le boulon en U entoure l'intérieur du cadre. Poser sans trop serrer des rondelles coniques et des écrous hex. 1/2 po sur les extrémités des boulons en U. **REMARQUE** : **Le boulon en U côté conducteur doit être placé entre la conduite de frein et le cadre. Voir la Figure 5. Un mauvais positionnement du boulon en U côté conducteur peut causer des dommages au système de freins du véhicule. Placer le faisceau de fils électriques de façon qu'ils ne nuisent pas.**
35. Insérer un boulon de carrosserie 5/8 x 6 po vers le bas à travers la traverse, le support de plateforme, l'espaceur tubulaire 4 po, pour finalement le faire sortir à travers le support de cadre en dessous. Poser une rondelle conique 5/8 po et un écrou 5/8 po sur le boulon.
36. Serrer les fixations selon la séquence suivante : 1) les traverses contre les supports de cadre, 2) les supports de cadre contre le cadre de la camionnette. **Serrer toute la boulonnerie 5/8 po Gr5 au couple de 150 lb-pi (203 N\*M).**
37. Rattacher le faisceau de fils sur l'intérieur du cadre côté conducteur. Utiliser une attache de câble, si nécessaire.
38. Remonter le pneu de secours, et aussi l'échappement s'il a été abaissé lors d'une étape précédente.

## Modèles à moteur à essence 2010 - 2012 seulement.

39. Suivre les instructions précédentes mais poser les supports (2) et (4) en position inversée.
40. Placer le support 2 sur l'extérieur du longeron droit et le support 4 sur l'extérieur du longeron gauche. Voir ci-dessous.
41. Pour les endroits à percer, voir la Fig. 6A à la page 30.

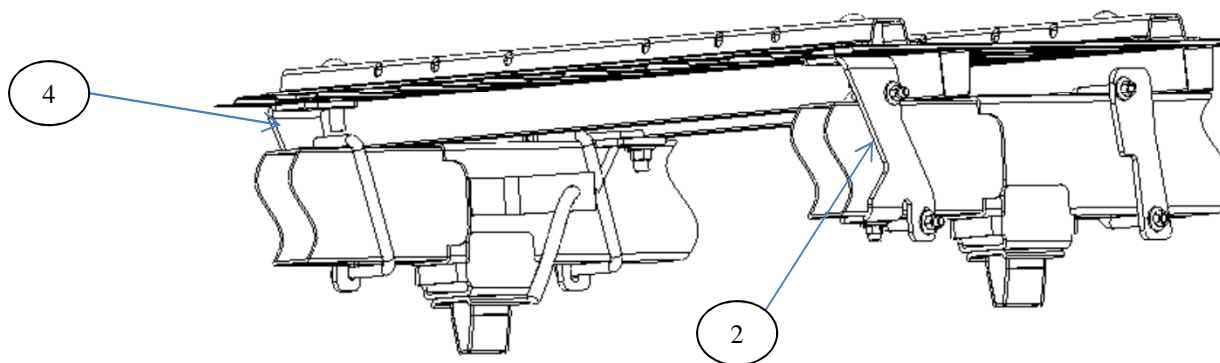
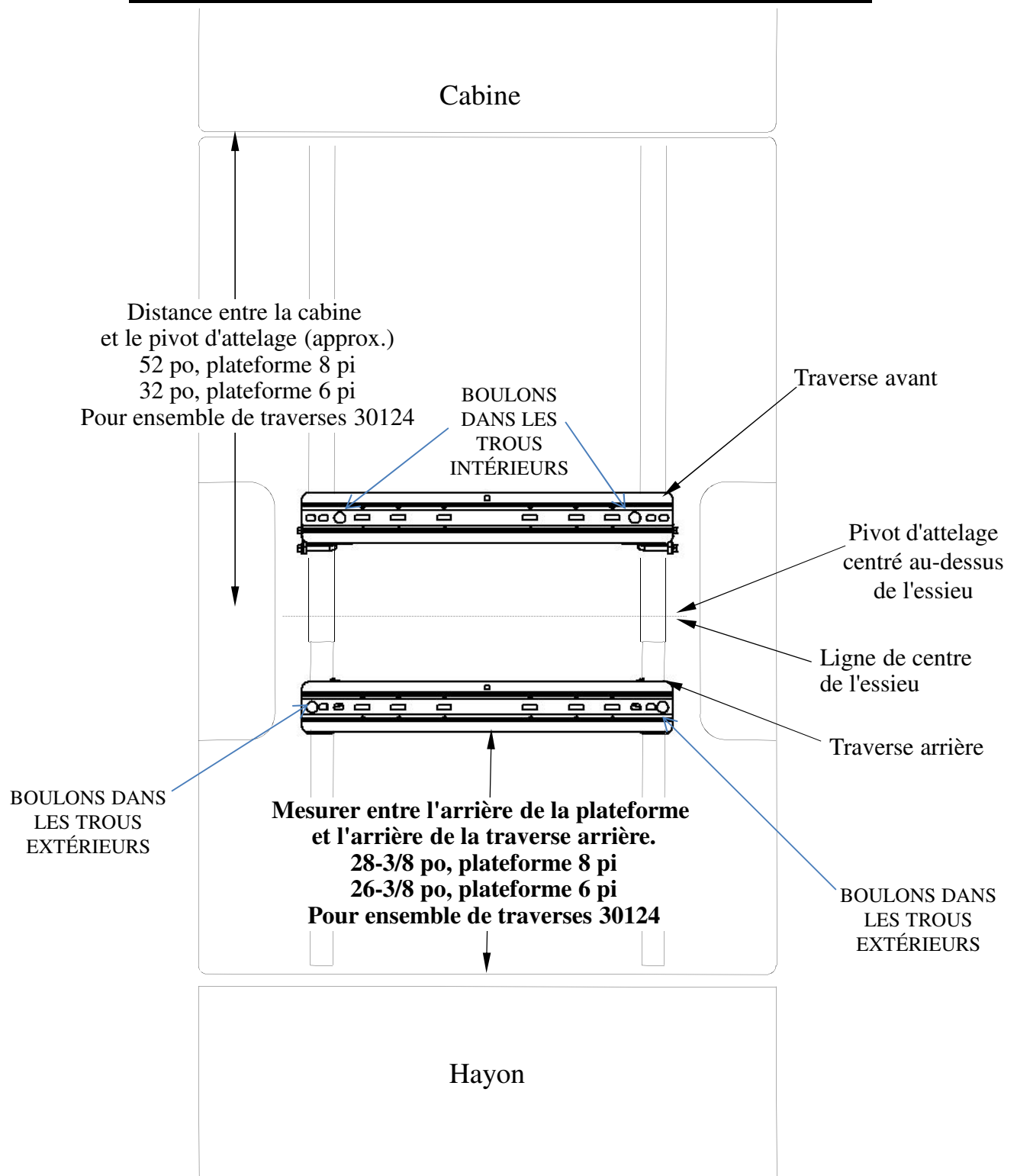


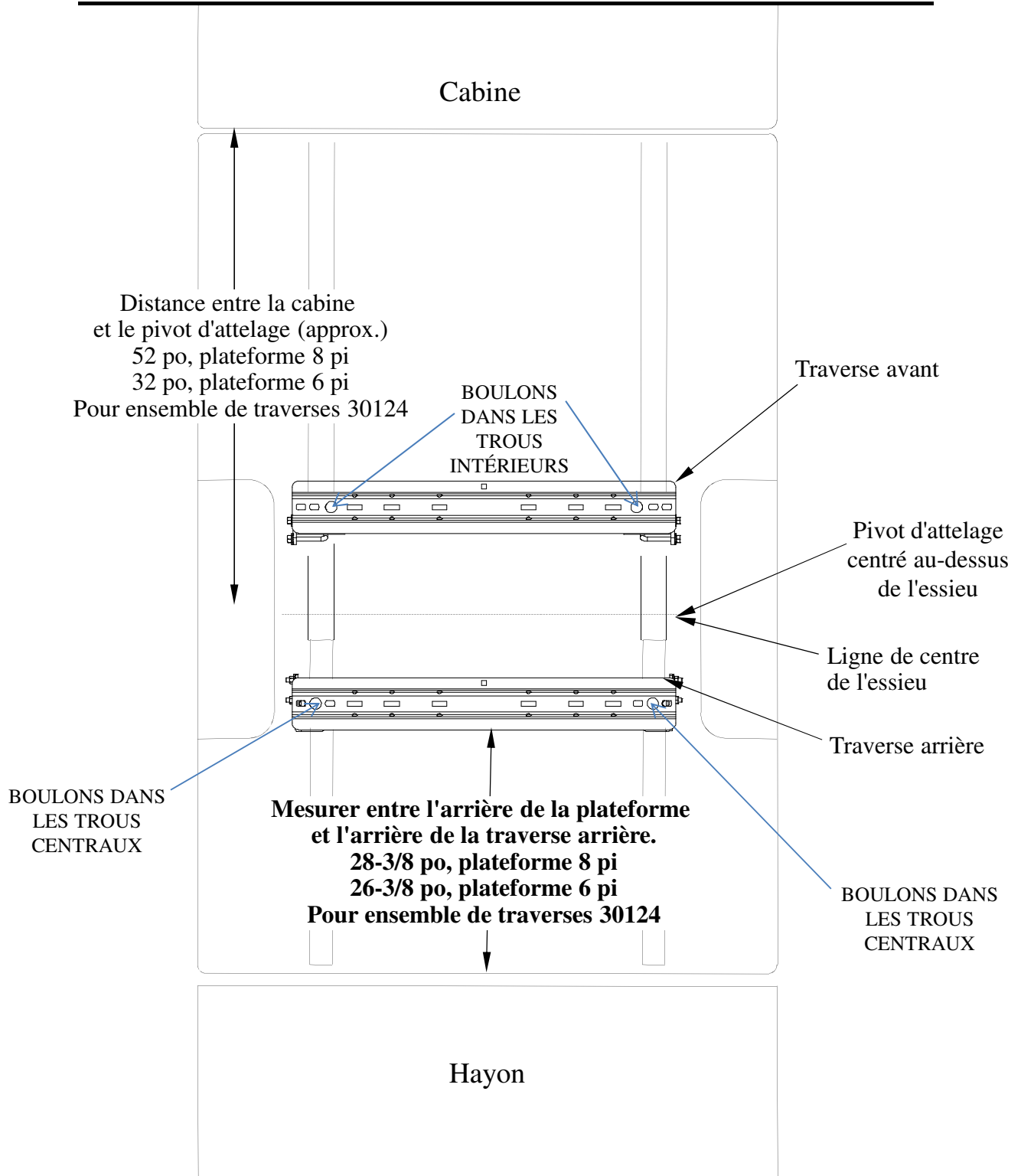
Figure 5A

**POUR UTILISATION AVEC ENSEMBLE  
DE TRAVERSES 30124 SEULEMENT**  
**CAMIONNETTES À MOTEUR DIÉSEL SEULEMENT**



**Figure 6**

**POUR UTILISATION AVEC ENSEMBLE  
DE TRAVERSES 30124 SEULEMENT**  
**CAMIONNETTES À MOTEUR À ESSENCE SEULEMENT**



**Figure 6A**

**LIMITED LIFETIME WARRANTY**

Part No: \_\_\_\_\_ Date of Original Purchase: \_\_\_\_\_  
Original Owner: \_\_\_\_\_ Original Installer: \_\_\_\_\_

1. Limited Lifetime Warranty ("Warranty"). Cequent Performance Products, Inc. ("We" or "Us") warrants to the original consumer purchaser only ("You") that the product will be free from material defects in both material and workmanship, ordinary wear and tear excepted; provided that installation and use of the product is in accordance with product instructions. There are no other warranties, express or implied, including the warranty of merchantability or fitness for a particular purpose. This warranty is not transferable.
2. Limitations on the Warranty. This Warranty does not cover: (a) normal wear and tear; (b) damage through abuse, neglect, misuse, or as a result of any accident or in any other manner; (c) damage from misapplication, overloading, or improper installation; (d) improper maintenance and repair; and (e) product alteration in any manner by anyone other than Us, with the sole exception of alterations made pursuant to product instructions and in a workmanlike manner.
3. Obligations of Purchaser. To make a Warranty claim, contact Us, at our principal address of 47912 Halyard Dr. Suite 100, Plymouth, MI 48170, 1-888-521-0510, identify the product by model number, and follow the claim instructions that will be provided. Any returned product that is replaced by Us becomes our property. You will be responsible for return shipping costs. Please retain your purchase receipt to verify date of purchase and that You are the original consumer purchaser. The product and the purchase receipt must be provided to Us in order to process Your Warranty claim.
4. Remedy Limits. Product replacement is Your sole remedy under this Warranty. We shall not be liable for service or labor charges incurred in removing or replacing a product or any incidental or consequential damages of any kind.
5. Assumption of Risk. You acknowledge and agree that any use of the product for any purpose other than the specified use(s) stated in the product instructions is at Your own risk.
6. Governing Law. This Warranty gives You specific legal rights, and You also may have other rights which vary from state to state. This Warranty is governed by the laws of the State of Michigan, without regard to rules pertaining to conflicts of law. The state courts located in Oakland County, Michigan shall have exclusive jurisdiction for any disputes relating to this Warranty.

**GARANTÍA LIMITADA DE POR VIDA**

Número de parte: \_\_\_\_\_ Fecha de compra original: \_\_\_\_\_  
Propietario original: \_\_\_\_\_ Instalador Original: \_\_\_\_\_

1. Garantía limitada de por vida ("garantía"). Cequent Performance Products, Inc. ("nosotros" o "nos") garantiza al comprador original solamente ("Usted") que el producto estará libre de defectos materiales en materiales y mano de obra, desgaste normal exceptuado; a condición de que la instalación y el uso del producto es de conformidad con las instrucciones del producto. No existen otras garantías, expresas o implícitas, incluyendo la garantía de comerciabilidad o aptitud para un propósito particular. Esta garantía no es transferible.
2. Limitaciones de la garantía. Esta garantía no cubre: (a) desgaste normal; (B) los daños causados por abuso, negligencia, mal uso, o como resultado de cualquier accidente o de cualquier otra forma; (C) los daños causados por uso indebido, la sobrecarga, o una instalación inadecuada; (D) el mantenimiento y la reparación inadecuada; y (e) la alteración producto de cualquier manera por alguien que no somos, con la única excepción de las modificaciones realizadas de conformidad con las instrucciones del producto y de manera profesional.
3. Obligaciones del Comprador. Para hacer un reclamo de garantía, póngase en contacto con nosotros, a nuestra dirección principal de 47.912 driza Dr. Suite 100, Plymouth, MI 48170, 1-888-521-0510, identificar el producto mediante el número de modelo, y siga las instrucciones de reclamaciones que serán proporcionados . Cualquier producto devuelto que se reemplaza por nosotros se convierte en nuestra propiedad. Usted será responsable de los gastos de envío. Guarde el comprobante de compra para verificar la fecha de compra y que Usted es el comprador original. El producto y el recibo de compra deben ser proporcionados a nosotros con el fin de procesar su solicitud de garantía.
4. Solución Límites. Sustitución del producto es su único remedio bajo esta garantía. No nos hacemos responsables de los servicios de mano de obra o los gastos incurridos en la eliminación o sustitución de un producto o los daños y perjuicios incidentales o emergentes de cualquier tipo.
5. Asunción de riesgo. Usted reconoce y acepta que cualquier uso del producto para cualquier propósito que no sea el uso (s) especificado se indica en las instrucciones del producto es bajo su propio riesgo.
6. Legislación aplicable. Esta garantía le otorga derechos legales específicos, y usted también puede tener otros derechos que varían de estado a estado. Esta garantía se rige por las leyes del Estado de Michigan, sin tener en cuenta las normas relativas a los conflictos de leyes. Los tribunales estatales ubicados en el condado de Oakland, Michigan tendrán jurisdicción exclusiva para cualquier disputa relacionada con esta garantía.

**GARANTIE À VIE LIMITÉE**

Référence: \_\_\_\_\_ Date d'achat d'origine: \_\_\_\_\_  
Propriétaire d'origine: \_\_\_\_\_ Installation d'origine: \_\_\_\_\_

1. Garantie à vie limitée («Garantie»). Cequent Performance Products, Inc. («nous» ou «nos») garantit à l'acheteur original seulement («Vous») que le produit sera exempt de défauts matériels à la fois matériel et de fabrication, l'usure normale excepté; à condition que l'installation et l'utilisation du produit est conforme aux instructions du produit. Il n'y a pas d'autres garanties, expresse ou implicites, y compris la garantie de qualité marchande ou d'adéquation à un usage particulier. Cette garantie n'est pas transférable.
  2. Limitations de la garantie. Cette garantie ne couvre pas: (a) l'usure normale; (B) les dommages abus, de négligence, mauvaise utilisation ou à la suite d'un accident ou de toute autre manière; (C) les dommages causés par une mauvaise utilisation, une surcharge ou une mauvaise installation; (D) le mauvais entretien et de réparation; et (e) la modification du produit de quelque manière par quelqu'un d'autre que nous, à la seule exception des modifications apportées conformément aux instructions du produit et de façon professionnelle.
  3. Obligations de l'acheteur. Pour faire une réclamation de garantie, contacter nous, à notre adresse principale de 47912 drisse Dr. Suite 100, Plymouth, MI 48170, 1-888-521-0510, identifier le produit par numéro de modèle, et suivez les instructions sur les revendications qui seront fournis . Tout produit retourné qui est remplacé par nous devient notre propriété. Vous serez responsable des coûts d'expédition de retour. S'il vous plaît conserver votre facture d'achat à la date d'achat et vérifier que vous êtes l'acheteur d'origine. Le produit et la facture d'achat doivent être fournis à nous pour traiter votre demande de garantie.
  4. Solution limites. remplacement du produit est votre seul recours en vertu de cette garantie. Nous ne serons pas responsables pour services ou de main-d'oeuvre engagés pour l'enlèvement ou le remplacement d'un produit ou des dommages directs ou indirects de toute nature.
  5. Acceptation des risques. Vous reconnaissez et acceptez que toute utilisation du produit à des fins autres que l'usage spécifié (s) indiqué dans les instructions du produit est à vos propres risques.
- Droit applicable 6.. Cette garantie vous donne des droits juridiques spécifiques, et vous pouvez avoir d'autres droits qui varient d'État à État. Cette garantie est régie par les lois de l'État du Michigan, sans égard aux règles relatives aux conflits de lois. Les tribunaux de l'Etat situés dans le comté d'Oakland, Michigan ont compétence exclusive pour tout litige relatif à cette garantie.