

### REESE® CUSTOM QUICK INSTALL MOUNTING KIT

56015

### FOR 30153 REESE® RAILS ONLY

GMC/Chevy 1500 Pickup \*See website applicable years & models

**WARNING:** FAILURE TO FOLLOW INSTALLATION INSTRUCTIONS MAY CAUSE PROPERTY LOSS, SERIOUS INJURY, OR DEATH!

**CAUTION:** Under no circumstances do we recommend exceeding the towing vehicle manufacturers recommended vehicle towing capacity, or the lowest rated component of your system.

## READ ALL INSTRUCTIONS BEFORE STARTING THE INSTALLATION OR USE

### 10 BOLT INSTALLATION

**Equipment Required:**

Fastener Kit: 56015F

Wrenches: 3/4"

Drill Bits: 1/8", 9/16"

Other Tools: Center Punch, Measuring Tape  
Torque Wrench, 3/4" Crows Foot

VEHICLE FORWARD

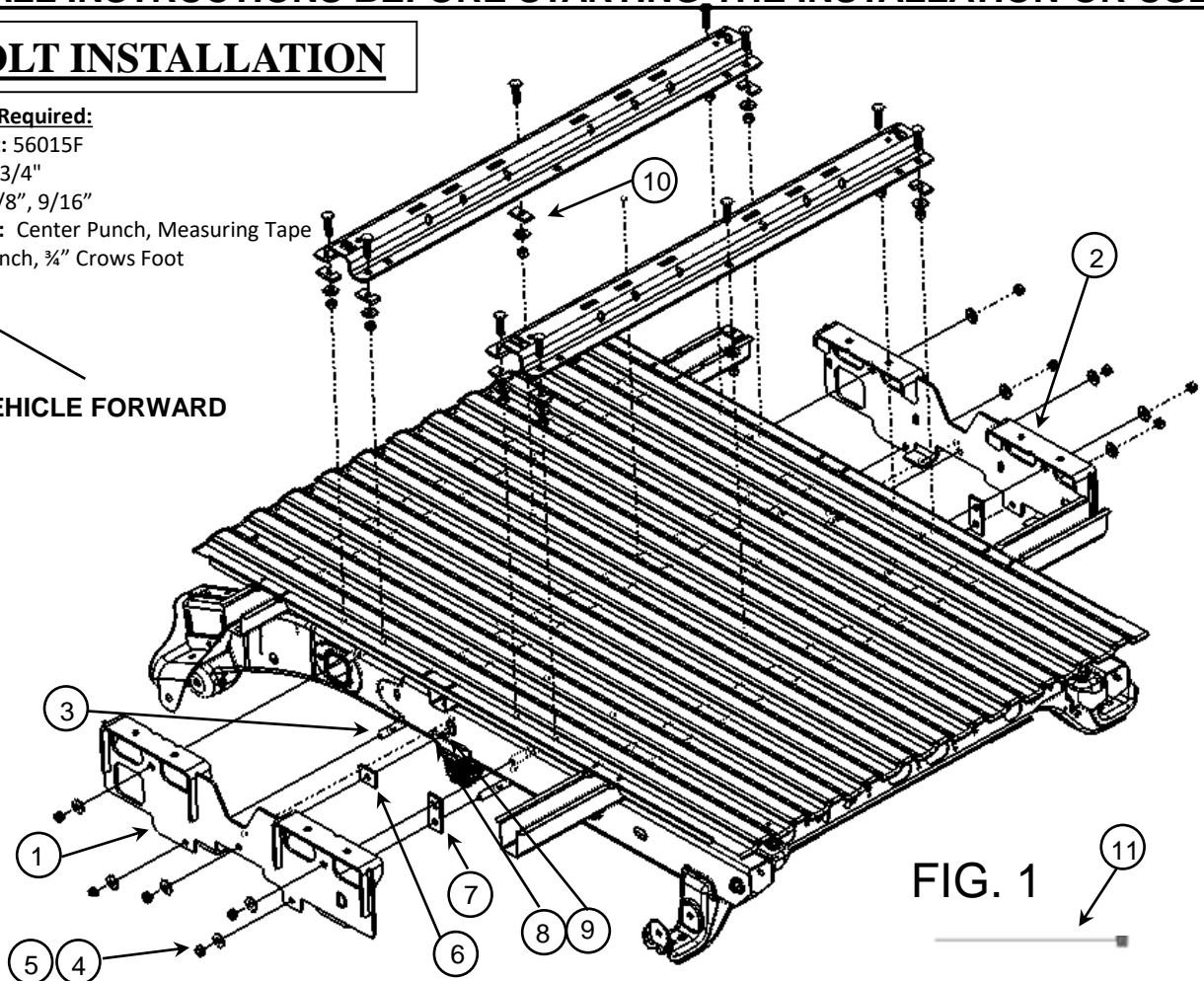


FIG. 1

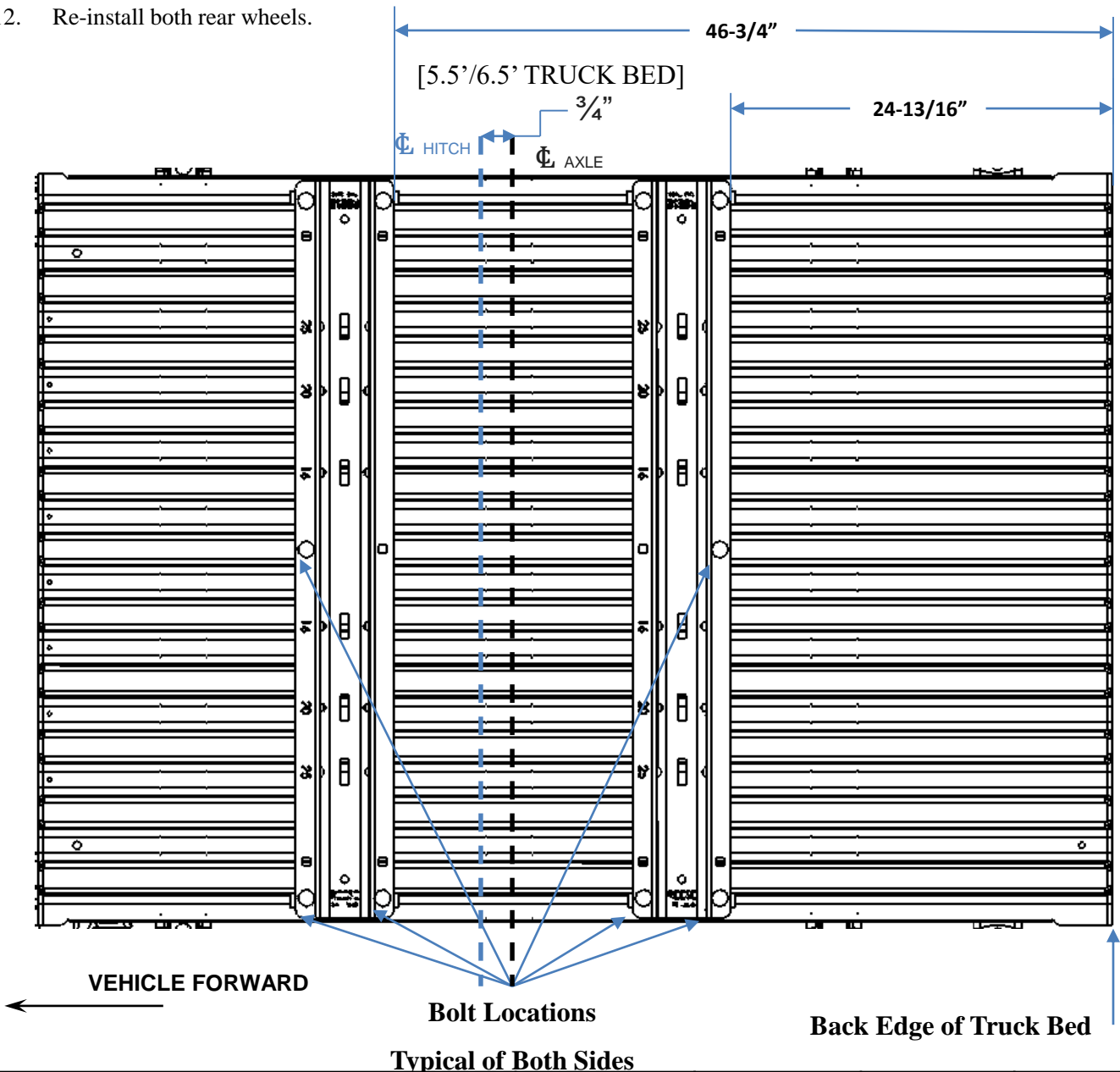
| # | Description                  | QTY | #  | Description                     | QTY |
|---|------------------------------|-----|--|---------------------------------|-----|
| 1 | Driver Side Frame Bracket    | 1   | 8  | 1/2"-13x1.75" Carriage Bolt GR8 | 2   |
| 2 | Passenger Side Frame Bracket | 1   | 9  | 1"x3" Block                     | 2   |
| 3 | 1/2-13 U-Bolt GR5            | 4   | 10   | 1"x2" Block                     | 2   |
| 4 | 1/2-13 Nut GR8               | 10  | 11   | 1/2" Pull Wire                  | 1   |
| 5 | 1/2" Conical Washer          | 10  | Any hardware shown in Figure 1, but not described in table below were supplied with 30153 kit. |                                 |     |
| 6 | 1.5"x2" Block                | 2   |  |                                 |     |
| 7 | 3.5"x1.5" Block              | 2   |  |                                 |     |

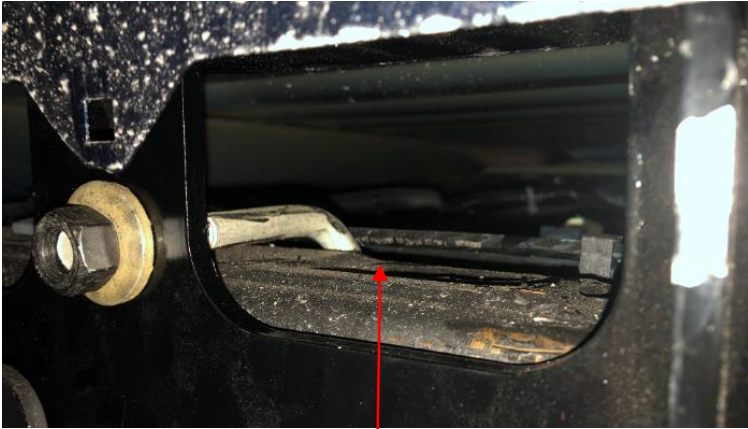
**REESE® CUSTOM QUICK INSTALL MOUNTING KIT****56015****FOR 30153 REESE® RAILS ONLY****GMC/Chevy 1500 Pickup \*See website applicable years & models**

- **Do not install mounting rails over plastic bed liners. Plastic bed liners must be cut out of the way to provide metal to metal contact. Mounting rails may be installed on spray in liners.**
- **Use only bolts, nuts, and washers supplied to install this kit. All bolts and nuts are Grade 8 unless otherwise specified.**
- **These instructions are guidelines only, actual installation is the responsibility of the installer and the owner. Always measure truck and trailer before installing hitch to be sure that there is clearance at the cab and at the bumper to allow for turns.**
- **Do not install this product on or attempt to tow with a truck with a 5-1/2' bed unless a sidewinder pinbox coupler has been installed on the trailer.**

1. Place the front mounting rail in the bed of the vehicle. Center the rail on the floor of the truck bed and use your tape measure to locate the proper distance from the rear of the rail to the rear edge of the truck box as illustrated on page 3.
2. Use a center punch to mark the holes in the bed per the illustration. Move the rail out of the way and drill each position with a 1/8" drill bit. **Note: When drilling holes through the bed be sure what is below the truck bed in those locations.**
3. With holes drilled, Raise the rear of the vehicle and remove both rear tires.
4. Temporarily position the frame brackets on the sides of the frame, Aligning the center hole in the bracket with the existing slot in the truck frame, and check that the 1/8" drilled holes align with the slots in the frame brackets. **NOTE:** To install the brackets they need to be tilted in at a 45° to clear the leading edge of the bed hem seam, then laid flat against the frame rail. Remove the frame brackets from the vehicle after verifying fitment.
5. If all holes align properly enlarge the 1/8" drilled holes to 9/16". Paint all bare metal. If hole do not align, restart the installation at step 1 by adjusting 1/8" holes on truck bed. When holes align be sure to remove brackets before enlarging to 9/16".
6. Fasten the frame brackets to the frame using the supplied U-bolts (Item3) and conical washer (Item5) with nut (Item 4) be sure to place the correct 1/4"x 3.5"x1.5" block (Item 7) behind the bracket as a spacer with the U-Bolt passing through the bottom hole as shown in figure 1. Tighten snug to keep the bracket from moving.
7. Place the unassembled 5th wheel support arches/slider/goose into the already installed mounting rail. Position the rearward mounting rail with the support arches/slider/goose by inserting the tabs into the mounting rail and pushing the mounting rail tight towards the other mounting rail. Ensure that the mounting rail is centered on the bed of the vehicle. This will position the rail in the correct location and ensure that the 5th wheel will have a snug fit to the truck. Note: If more than one hitch product will be used with the mounting rails both types should be used at the same time to align the mounting rails. This will ensure that one product does not compromise the fit of the other.
8. Repeat steps 2-6 for rear rail.
9. To install the center bolt use the supplied pull wire **NOTICE! THE SUPPLIED PULL WIRE WILL NEED TO BE USED ON BOTH SIDES!** Thread the pull wire onto the supplied carriage bolt (Item 8) followed by the 1"x3" block (Item 9). Pull both components through the center slot on the frame. While doing this be sure to include the 1.5"x2" block between the frame and the frame bracket. Place the conical washer (Item 5) on the bolt and secure with nut (Item 4).

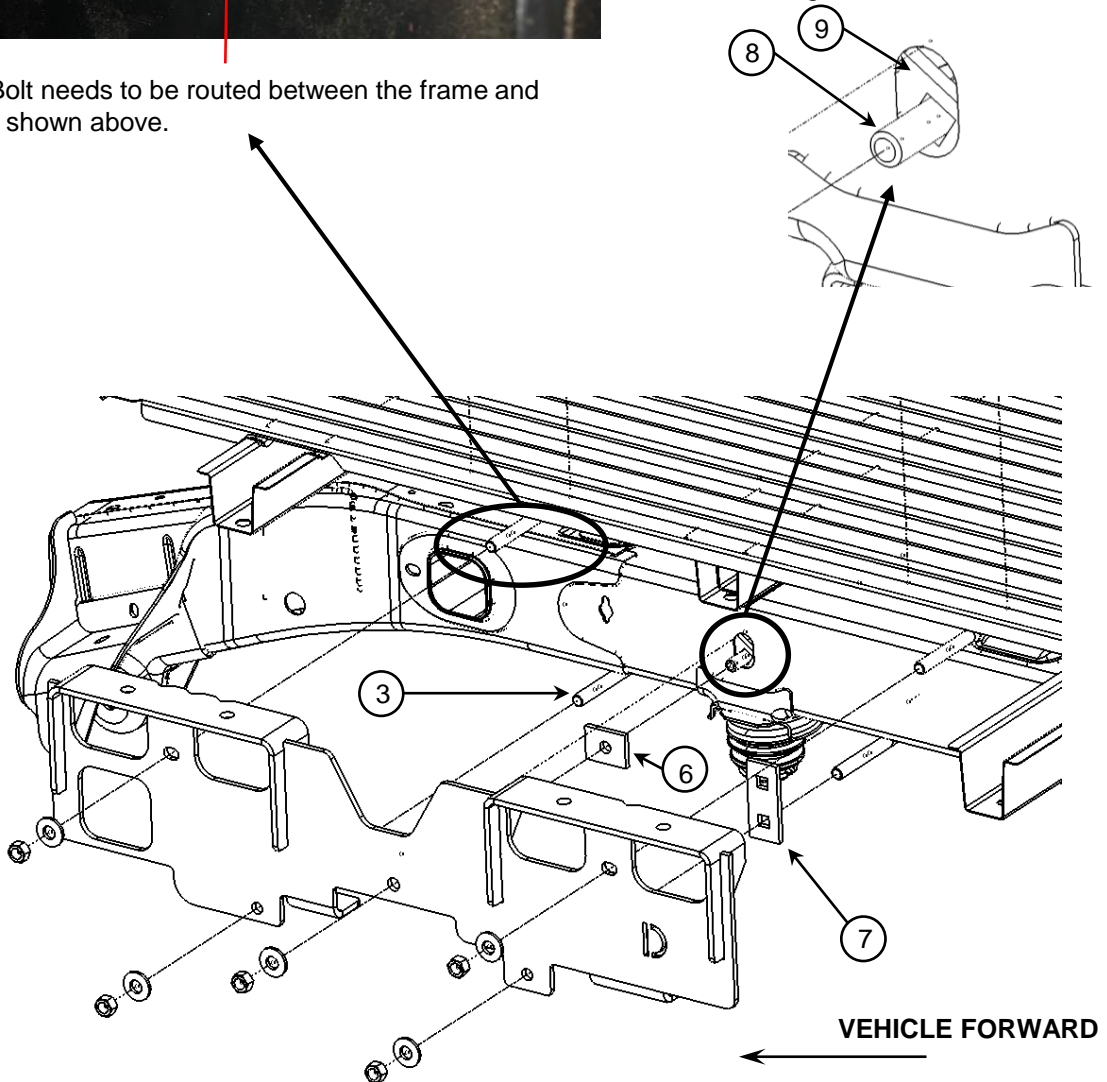
10. Reposition the mounting rails over the holes in the bed and fasten the mounting rail to the frame brackets using the hardware supplied with the rail kit. Use the U-shaped blocks between the frame bracket or mounting rails and the truck bed to ensure metal to metal contact. Install center bolt using the supplied 1"x2" block (Item 10) on the bottom side of the bed floor and hand tighten.
11. Starting with the hardware that fastens the mounting brackets to the bed rails and torque all the nuts. Torque the 1/2" GR8 bolts to 110ft-lbs (149N\*M), and the 1/2" U-bolts to 75 ft-lbs (101N\*M).
12. Re-install both rear wheels.





**NOTE:** U-Bolt needs to be routed between the frame and harness as shown above.

**NOTE:** Fastener to be fished through frame rail as shown.



### REESE® CUSTOM QUICK INSTALL MOUNTING KIT

56015

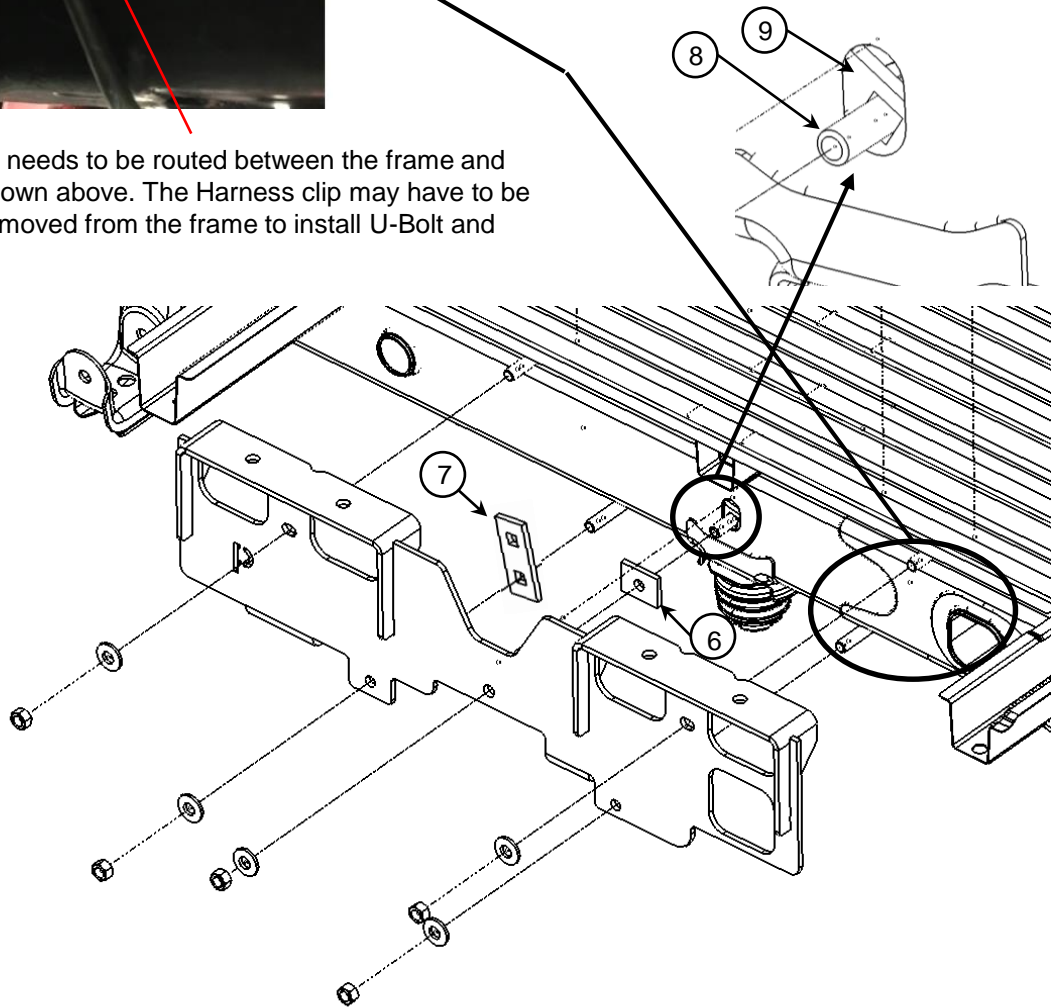
### FOR 30153 REESE® RAILS ONLY

GMC/Chevy 1500 Pickup \*See website applicable years & models



**NOTE:** U-Bolt needs to be routed between the frame and harness as shown above. The Harness clip may have to be temporarily removed from the frame to install U-Bolt and Bracket.

**NOTE:** Fastener to be fished through frame rail as shown.



VEHICLE FORWARD



**NOTE:** Be sure to tighten U-Bolts evenly! Deflection in the bracket below the vehicle frame (shown above) is expected and is acceptable.



# Installation Instructions

**Part Number:**

## REESE® CUSTOM QUICK INSTALL MOUNTING KIT

**56015**

### FOR 30153 REESE® RAILS ONLY

**GMC/Chevy 1500 Pickup \*See website applicable years & models**

#### LIMITED LIFETIME WARRANTY

Horizon Global Corporation. ("We" or "Us") warrants to the original consumer purchaser only ("You") that the product will be free from material defects in both material and workmanship, ordinary wear and tear expected; provided that installation and use of the product is in accordance with product instructions. There are no other warranties, express or implied, including the warranty of merchantability or fitness for a particular purpose. This warranty is not transferable.

This warranty does not cover: (a) normal wear and tear; (b) damage through abuse, neglect, misuse, or as a result of any accident or in any other manner; (c) damage from misapplication, overloading, or improper installation; (d) improper maintenance and repair; and (e) product alteration in any manner by anyone other than Us, with the sole exception of alterations made pursuant to product instructions and in a workmanlike manner.

To make a Warranty claim, contact Us, at our principal address of 47912 Halyard Dr. Suite 100, Plymouth, MI 48170, 1-800-632-3290, identify the product by model number, and follow the claim instructions that will be provided. Any returned product that is replaced by Us becomes our property. You will be responsible for return shipping costs. Please retain your purchase receipt to verify date of purchase and that You are the original consumer purchaser. The product and the purchase receipt must be provided to Us in order to process Your Warranty claim.

Product replacement is Your sole remedy under this Warranty. We shall not be liable for service or labor charges incurred in removing or replacing a product or any incidental or consequential damages of any kind.

You acknowledge and agree that any use of the product for any purpose other than the specified use(s) stated in the product instructions is at Your own risk.

This Warranty gives you specific legal rights, and You may also have other rights which vary from state to state. This Warranty is governed by the laws of the State of Michigan, without regard to rules pertaining to conflicts of law. The state courts located in Oakland County, Michigan shall have exclusive jurisdiction for any disputes relating to this warranty.

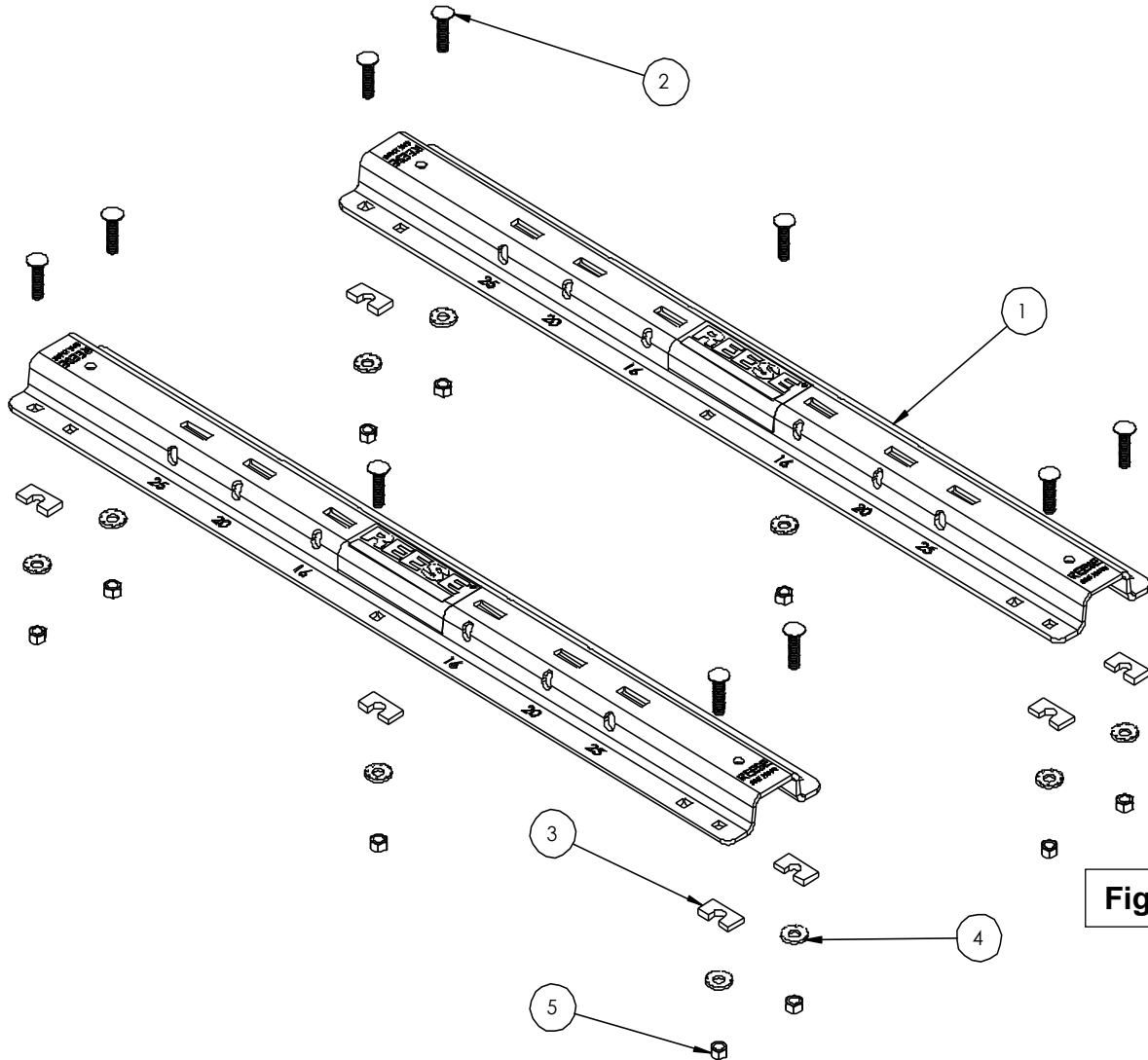
**For the most up to date product  
instructions, installation and use  
information please scan the QR  
code or call  
1-800-632-3290**



Horizon Global  
47912 Halyard Dr. Suite 100  
Plymouth, MI 48170

# INSTRUCTIONS

## REESE RAIL MOUNTING KIT #30153 PREMIUM-OUTBOARD MOUNTING SYSTEM SAE J2638 RATED



**Fig. 1**

| <b>BASERAILS</b>                 | <b>QTY.</b> |
|----------------------------------|-------------|
| 1. REESE BASERAIL                | (2)         |
| 2. 1/2" X 2" GR. 8 CARRIAGE BOLT | (10)        |
| 3. TRUCK BED SPACER              | (10)        |
| 4. 1/2" CONICAL TOOTHED WASHER   | (10)        |
| 5. 1/2" NUT                      | (10)        |

### REESE PREMIUM FEATURES

- Kit must be mounted with REESE Series Custom mounting kits (part # 56000 series only) which are mounted outboard, allowing for fast easy installations
- Meets latest North American testing standards, SAE J2638
- Grade 8 hardware, meets all North American requirements for commercial & recreational towing

For Installation Assistance or Technical Help, Call 1-888-521-0510

Printed in XXX



The following information is an overview of the installation of a fifth wheel above bed mounting kit, and meant as supplemental information only. For detailed instructions refer to the instructions given with the corresponding REESE Series Custom mounting kits (part # 56000 series only). Check parts supplied in kit against parts list (Fig 1) to become familiar with parts in this kit.

## **For Installers**

For corresponding Custom Quick Install Mounting Kit part number as well as latest revision of installation instructions please refer to ([www.REESEPROD.COM](http://www.REESEPROD.COM)).

1. Do not install mounting rails over plastic bed liners. Plastic bed liners must be cut out of the way. Base rails may be installed on spray in liner. **Note:** Consult installer for recommended curing time.
2. Use only CEQUENT PERFORMANCE PRODUCTS, INC. supplied bolts, nuts, and washers to install this kit. All bolts are Grade 8 hardware.
3. See that owner receives and fills out warranty information page.

## **Owner Responsibilities**

- Refer to rail label and rail markings for correct weight capacity
- Check mounting system bolt tightness once per year
- Save warranty sheet and receipt for any future support

## **LIMITED LIFETIME WARRANTY**

**Part No:** \_\_\_\_\_

**Date of Original Purchase:** \_\_\_\_\_

**Original Owner:** \_\_\_\_\_

**Original Installer:** \_\_\_\_\_

1. Limited Lifetime Warranty ("Warranty"). Cequent Performance Products, Inc. ("We" or "Us") warrants to the original consumer purchaser only ("You") that the product will be free from material defects in both material and workmanship, ordinary wear and tear excepted; provided that installation and use of the product is in accordance with product instructions. There are no other warranties, express or implied, including the warranty of merchantability or fitness for a particular purpose. This warranty is not transferable.

2. Limitations on the Warranty. This Warranty does not cover: (a) normal wear and tear; (b) damage through abuse, neglect, misuse, or as a result of any accident or in any other manner; (c) damage from misapplication, overloading, or improper installation; (d) improper maintenance and repair; and (e) product alteration in any manner by anyone other than Us, with the sole exception of alterations made pursuant to product instructions and in a workmanlike manner.

3. Obligations of Purchaser. To make a Warranty claim, contact Us, at our principal address of 47912 Halyard Dr. Suite 100, Plymouth, MI 48170, 1-888-521-0510, identify the product by model number, and follow the claim instructions that will be provided. Any returned product that is replaced by Us becomes our property. You will be responsible for return shipping costs. Please retain your purchase receipt to verify date of purchase and that You are the original consumer purchaser. The product and the purchase receipt must be provided to Us in order to process Your Warranty claim.

4. Remedy Limits. Product replacement is Your sole remedy under this Warranty. We shall not be liable for service or labor charges incurred in removing or replacing a product or any incidental or consequential damages of any kind.

5. Assumption of Risk. You acknowledge and agree that any use of the product for any purpose other than the specified use(s) stated in the product instructions is at Your own risk.

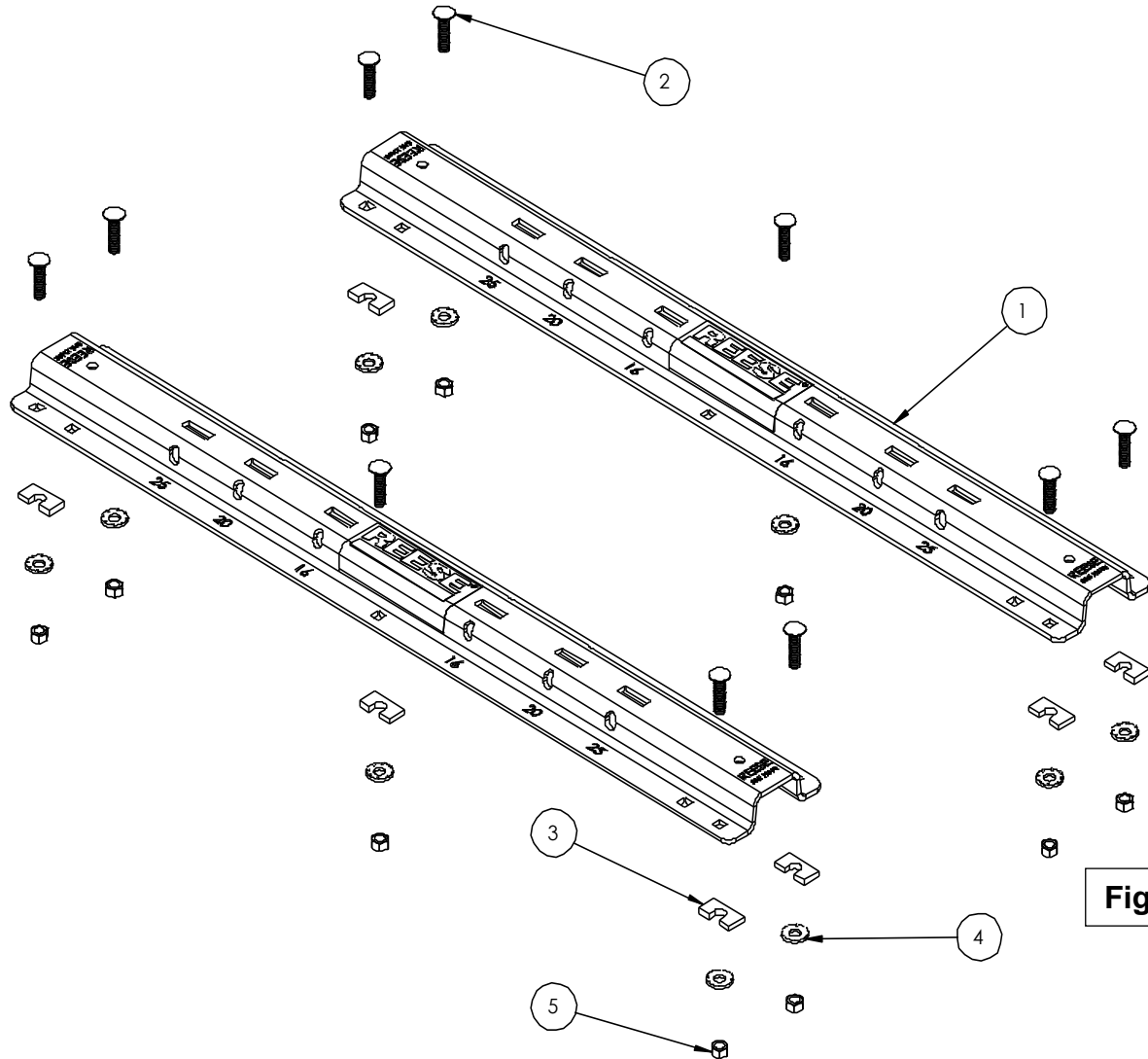
6. Governing Law. This Warranty gives You specific legal rights, and You also may have other rights which vary from state to state. This Warranty is governed by the laws of the State of Michigan, without regard to rules pertaining to conflicts of law. The state courts located in Oakland County, Michigan shall have exclusive jurisdiction for any disputes relating to this Warranty.

Cequent Performance Products, Inc.  
47912 Halyard Dr. Suite 100  
Plymouth, MI 48170

Printed in XXX

# INSTRUCCIONES

## KIT DE MONTAJE DE LARGUEROS REESE # 30153 SISTEMA PREMIUM DE MONTAJE EXTERNO- SAE J2638 CALIFICADO



**Fig. 1**

### LARGUEROS BASE

| LARGUEROS BASE                          | CANT. |
|---|-------|
| 1. LARGUERO BASE REESE                  | (2)   |
| 2. PERNO DE CARRUAJE, 1/2" X 2" GR. 8   | (10)  |
| 3. ESPACIADOR PARA LA BASE DEL VEHÍCULO | (10)  |
| 4. ARANDELA CÓNICA DENTADA, 1/2"        | (10)  |
| 5. TUERCA, 1/2"                         | (10)  |

### CARACTERÍSTICAS DE REESE PREMIUM

- El Kit debe ser instalado con los kits de montaje a la medida de la serie REESE (parte # 56000 de la serie únicamente) que se montan desde el exterior, lo que permite una instalación fácil y rápida
- Cumple con las últimas normas de prueba norteamericanas SAE J2638
- Las piezas Grado 8 cumplen todos los requisitos para América del Norte para remolque comercial y recreacional

Para asistencia con la instalación o ayuda técnica, llame al 1-888-521-0510

Printed in XXX

La siguiente información es un resumen de la instalación de una quinta rueda por encima del kit de montaje de la base, cuya finalidad es sólo como información complementaria. Para obtener instrucciones detalladas, consulte las instrucciones entregadas con los kits para montaje a la medida de la serie Reese correspondientes (parte # 56000 de la serie únicamente). Revise las partes suministradas contra la lista de partes (Fig. 1) para familiarizarse con las partes de este kit.

## **Para los instaladores**

Para el número de parte del kit correspondiente de montaje de instalación rápida a la medida así como para la última revisión de las instrucciones de instalación, consulte ([www.REESEPROD.COM](http://www.REESEPROD.COM)).

1. No instale largueros de montaje sobre los forros plásticos de la base. Los forros plásticos de la base se deben recortar para despejar el camino. Los largueros base se pueden instalar sobre el forro aplicado con rociador.

**Nota:** Consulte con el instalador para las recomendaciones de tiempo de curado.

2. Use únicamente los pernos, tuercas y arandelas suministrados por CEQUENT PERFORMANCE PRODUCTS, Inc. para instalar este kit. Todos los tornillos son grado 8.

3. Verifique que el propietario reciba y llene la página de información de la garantía.

## **Responsabilidades del propietario**

- Consulte la etiqueta de los largueros y las marcas en los largueros para la capacidad de peso correcto
- Revise la firmeza de los pernos del sistema de montaje una vez al año
- Guarde la garantía y el recibo para cualquier referencia futura

## **GARANTÍA LIMITADA DE POR VIDA**

**Número de parte:** \_\_\_\_\_ **Fecha de compra original :** \_\_\_\_\_

**Propietario original :** \_\_\_\_\_ **Instalador original:** \_\_\_\_\_

1. GARANTÍA DE POR VIDA LIMITADA (Garantía) Cequent Performance Products, Inc. ("Nosotros" o "Nuestro") garantiza al comprador minorista original únicamente ("usted") que el producto estará libre de defectos materiales y de mano de obra, con la excepción del uso y desgaste habitual, siempre y cuando la instalación y el uso del producto esté de acuerdo con las instrucciones del producto. No existen otras garantías, expresas o implícitas, incluida la garantía de comerciabilidad o idoneidad para un propósito en particular. Esta garantía no es transferible.

2. Limitaciones de la garantía. Esta garantía limitada no cubre lo siguiente: (a) desgaste normal y habitual; (b) daño por abuso, negligencia, mal uso, o como resultado de cualquier accidente o de cualquier otra manera; (c) daño por aplicación o instalación incorrectas o sobrecarga; (d) mantenimiento y reparación incorrectos; y (e) alteración del producto de cualquier manera por alguien que no seamos nosotros, con la única excepción de alteraciones realizadas de acuerdo con las instrucciones del producto y de una manera profesional.

3. Obligaciones del comprador. Para hacer una reclamación de garantía, contáctenos en nuestra dirección principal en 47912 Halyard Dr. Suite 100, Plymouth, MI 48170, 1-888-521-0510, identifique el producto por número de modelo y siga las instrucciones que se le darán para la reclamación. Cualquier producto devuelto que se reemplace o se reembolse se convierte en propiedad nuestra. Usted será responsable por los costos de envío del producto. Conserve el recibo de compra para verificar la fecha de compra y que usted es el comprador original. Nos debe entregar el producto y el recibo de compra para procesar su reclamo de garantía.

4. Límites de compensación. La sustitución del producto es su único recurso bajo esta garantía. No seremos responsables por el servicio o cargos de mano de obra en los que se incurra al quitar o reemplazar un producto o cualquier daño de cualquier tipo.

5. Riesgo asumido Usted reconoce y acepta que cualquier uso del producto para cualquier propósito diferente al uso(s) especificado(s) en las instrucciones del producto es a su propio riesgo.

6. Ley gobernante. Esta garantía le otorga derechos legales. Usted también podría tener otros derechos que varían de estado a estado. Esta garantía está regida por las leyes del estado de Michigan, sin importar las normas relativas a conflictos de Las cortes estatales ubicadas en el condado de Oakland, Michigan tendrán la jurisdicción exclusiva para cualquier disputa que surja con respecto a esta garantía.

Cequent Performance Products, Inc.  
47912 Halyard Dr. Suite 100  
Plymouth, MI 48170

Printed in XXX

# INSTRUCTIONS

## ENSEMBLE DE TRAVERSES DE MONTAGE REESE No 30153 SYSTÈME DE MONTAGE EXTERNE HAUT DE GAMME HOMOLOGUÉ SAE J2638

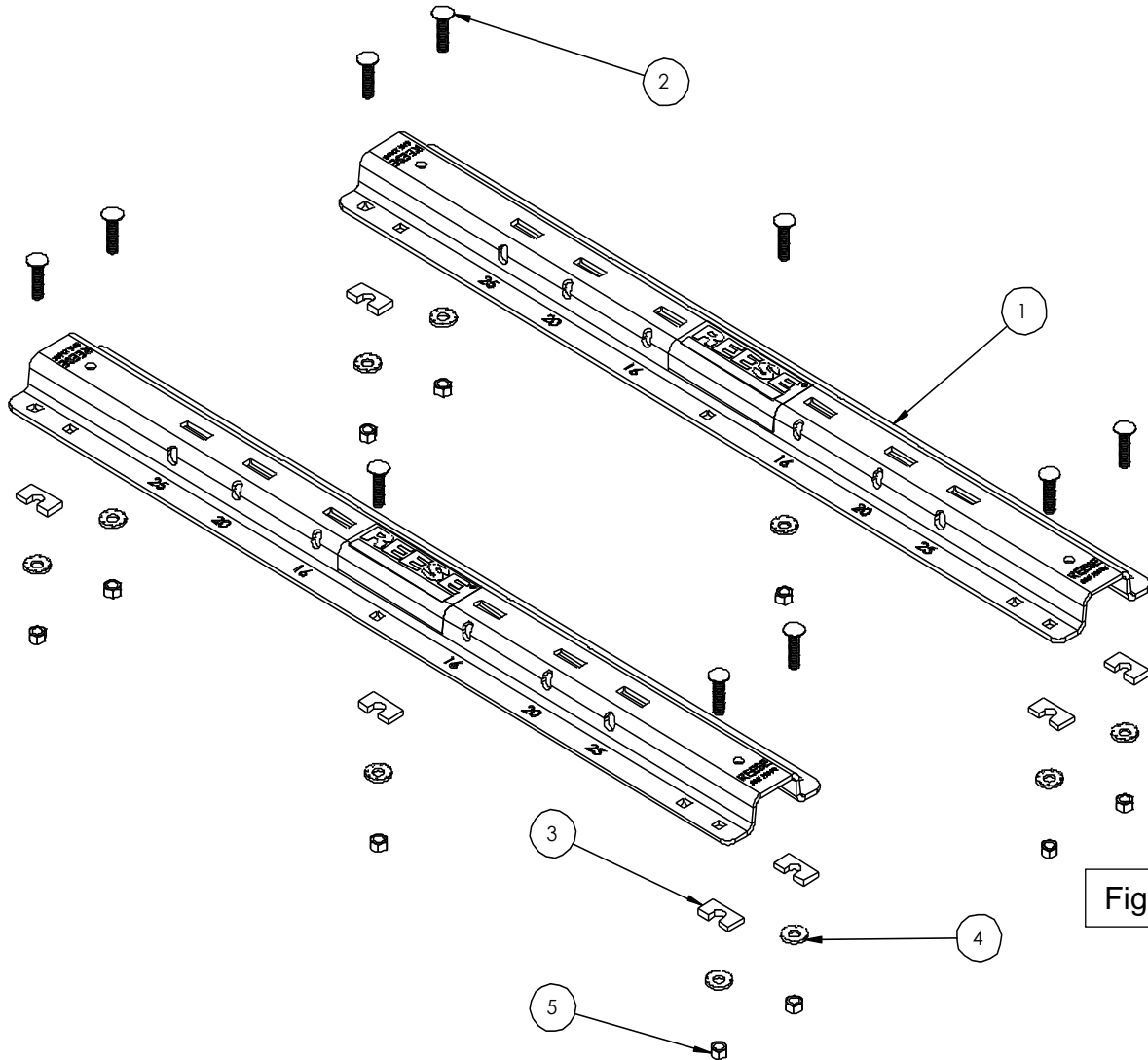


Fig. 1

| TRAVERSES                                | QTÉ  |
|--|------|
| 1. TRAVERSE REESE                        | (2)  |
| 2. BOULON DE CARROSSERIE 1/2" x 2" GR. 8 | (10) |
| 3. ESPACEUR (PLATEFORME CAMIONNETTE)     | (10) |
| 4. RONDELLE CONIQUE DENTÉE 1/2"          | (10) |
| 5. ÉCROU 1/2"                            | (10) |

### CARACTÉRISTIQUES DE QUALITÉ SUPÉRIEURE REESE

- L'ensemble de traverses doit être assemblé à l'aide des nécessaires de montage Series Custom REESE (série no 56000 seulement) montés à l'extérieur, conçus pour faciliter et accélérer les installations.

- Notre système est conforme à la norme d'essai nord-américaine la plus récente (SAE J2638).

- Boulonnerie de classe 8 qui répond aux normes nord-américaines en ce qui a trait au remorquage commercial et récréatif.

Pour obtenir de l'assistance pour l'installation ou un autre aspect technique, composer le 1-888-521-0510

Printed in XXX

Les renseignements suivants consistent en une vue d'ensemble de l'installation d'un attelage à sellette au-dessus du système de montage sur plateforme et ne sont fournis qu'à titre d'information complémentaire seulement. Pour des directives détaillées, se reporter aux instructions fournies avec les nécessaires de montage correspondants de marque REESE Series Custom (série no 56000 seulement). Comparer les pièces incluses dans le nécessaire à la liste des pièces (Fig. 1) afin de se familiariser avec les composants du système.

## Installateurs

Pour obtenir le numéro de pièce du *nécessaire de montage rapide* et la dernière version des instructions d'installation, veuillez vous reporter à ([www.REESEPROD.COM](http://www.REESEPROD.COM)).

1. Ne pas installer les traverses sur la doublure de caisse en plastique. La doublure de caisse en plastique doit être découpée pour libérer l'accès. Les traverses peuvent être installées sur une doublure pulvérisée en place.  
Nota : Consulter l'installateur pour connaître le temps de durcissement recommandé.
2. Utiliser seulement les boulons, écrous et rondelles fournis par CEQUENT PERFORMANCE PRODUCTS, Inc. pour installer ce produit. Tous les boulons et les écrous sont de classe 8 (Grade).
3. S'assurer que le propriétaire a bien reçu et rempli la page de renseignements sur la garantie.

## Responsabilités du propriétaire

- Se reporter à l'étiquette et aux inscriptions sur les traverses pour connaître la capacité de charge exacte.
- Vérifier le serrage des boulons du système de montage une fois par année
- Conserver la fiche de la garantie et la preuve d'achat en cas de besoin d'assistance.

## GARANTIE À VIE LIMITÉE

No pièce : \_\_\_\_\_

Date de l'achat initial : \_\_\_\_\_

Propriétaire initial : \_\_\_\_\_

Installateur initial : \_\_\_\_\_

1. Garantie à vie limitée (« Garantie »). Cequent Performance Products, Inc. (« Nous ») garantit à l'acheteur initial seulement (« Vous ») que le produit sera exempt de vices de matières et de fabrication, exception faite de l'usure normale, dans la mesure où l'installation et l'utilisation du produit sont conformes aux instructions accompagnant celui-ci. Aucune autre garantie, expresse ou implicite, ne s'applique, y compris les garanties relatives à la qualité marchande ou à l'adéquation à un usage particulier. Cette garantie n'est pas transférable.

2. Limites de la garantie. Cette garantie ne couvre pas : (a) l'usure normale; (b) les dommages causés par l'abus, la négligence, une mauvaise utilisation, ou résultant de tout accident survenu de quelque manière que ce soit; (c) les dommages causés par une application inappropriée, une charge excessive ou une installation inadéquate; (d) un entretien ou une réparation inadéquate; (e) un produit modifié de quelque manière que ce soit par quiconque d'autre que Nous, à l'exception des modifications stipulées dans les instructions accompagnant le produit et réalisées selon les règles de l'art.

3. Obligations de l'acheteur. Pour effectuer une réclamation, communiquez avec nous à notre adresse principale, 47912 Halyard Dr. Suite 100, Plymouth, MI 48170, 1-888-521-0510, et veuillez identifier le produit d'après le numéro de modèle et suivre les directives qui vous seront fournies. Tout produit retourné qui est remplacé par Nous devient notre propriété. Vous serez tenu d'assumer les frais d'expédition de retour. Veuillez conserver votre reçu d'achat afin que nous puissions en vérifier la date et confirmer que Vous êtes l'acheteur initial. Le produit et le reçu d'achat doivent Nous être fournis afin que nous puissions traiter Votre réclamation.

4. Limites des recours. Le remplacement du produit est Votre seul recours en vertu de cette Garantie. Nous ne sommes pas responsables des frais de service ou de main-d'oeuvre encourus pour l'enlèvement ou la réinstallation d'un produit, ni des dommages accessoires ou indirects, quels qu'ils soient.

5. Acceptation des risques. Vous reconnaissez et acceptez que toute utilisation du produit à des fins autres que celle(s) stipulée(s) dans les instructions relatives au produit est faite à vos propres risques.

6. Loi applicable. Cette Garantie Vous confère des droits légaux spécifiques, et il se peut que Vous possédiez d'autres droits qui peuvent varier d'une province à l'autre. Cette Garantie est régie par les lois de l'État du Michigan, abstraction faite des règles relatives aux conflits de lois. Les cours de l'État situés dans le comté d'Oakland, Michigan, constituent les autorités judiciaires exclusives relativement à tout litige relevant de cette Garantie.

Cequent Performance Products, Inc.  
47912 Halyard Dr. Suite 100  
Plymouth, MI 48170

Printed in XXX