

OWNER'S MANUAL REESE STEADI-FLEX Weight Distributing Kits WWW.REESEPRODUCTS.COM

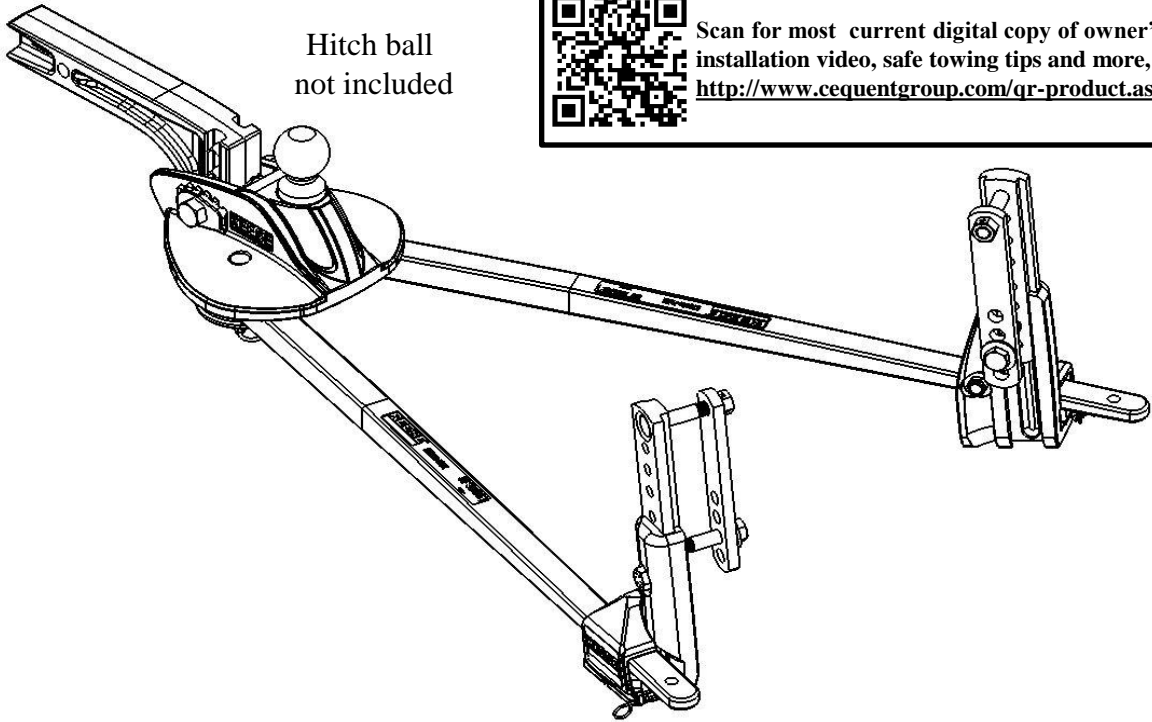
PART NUMBERS:

66559: 1,000lb.

66560: 1,200lb.

66561: 1,400lb.

PLYMOUTH, MI



Scan for most current digital copy of owner's manual, installation video, safe towing tips and more, or visit <http://www.cequentgroup.com/qr-product.aspx>

Table of Contents

Exploded Parts List.....	2
Safety Information.....	3
Hitch Information/Pre-Installation.....	4
Installation.....	5-8
-Frame Bracket Installation.....	5-6
-Ball Mount Installation.....	7
-Spring Bar/Final Installation.....	8
Unhitching/System Adjustment.....	9
Notes/System Maintenance/Technical Service/Warranty.....	10

REQUIRED TOOLS:

- Torque Wrench Capable of 300 ft.-lbs.
- Petroleum Based Lubricant (e.g. WD-40)
- 15/16" Socket and Wrench
- 1-1/8" Socket and Wrench
- Tape Measure
- Pencil
- Flat Head Screw Driver
- Hammer

RECOMMENDED TOOLS

- Torque Wrench Capable of 450 ft.-lbs.
- 1-7/8" Socket
- Safety Gloves

WARNING

Never exceed the manufacturer's tow rating, hitch rating or hitch ball rating.

For Installation Assistance or Technical Help, Call 800-632-3290

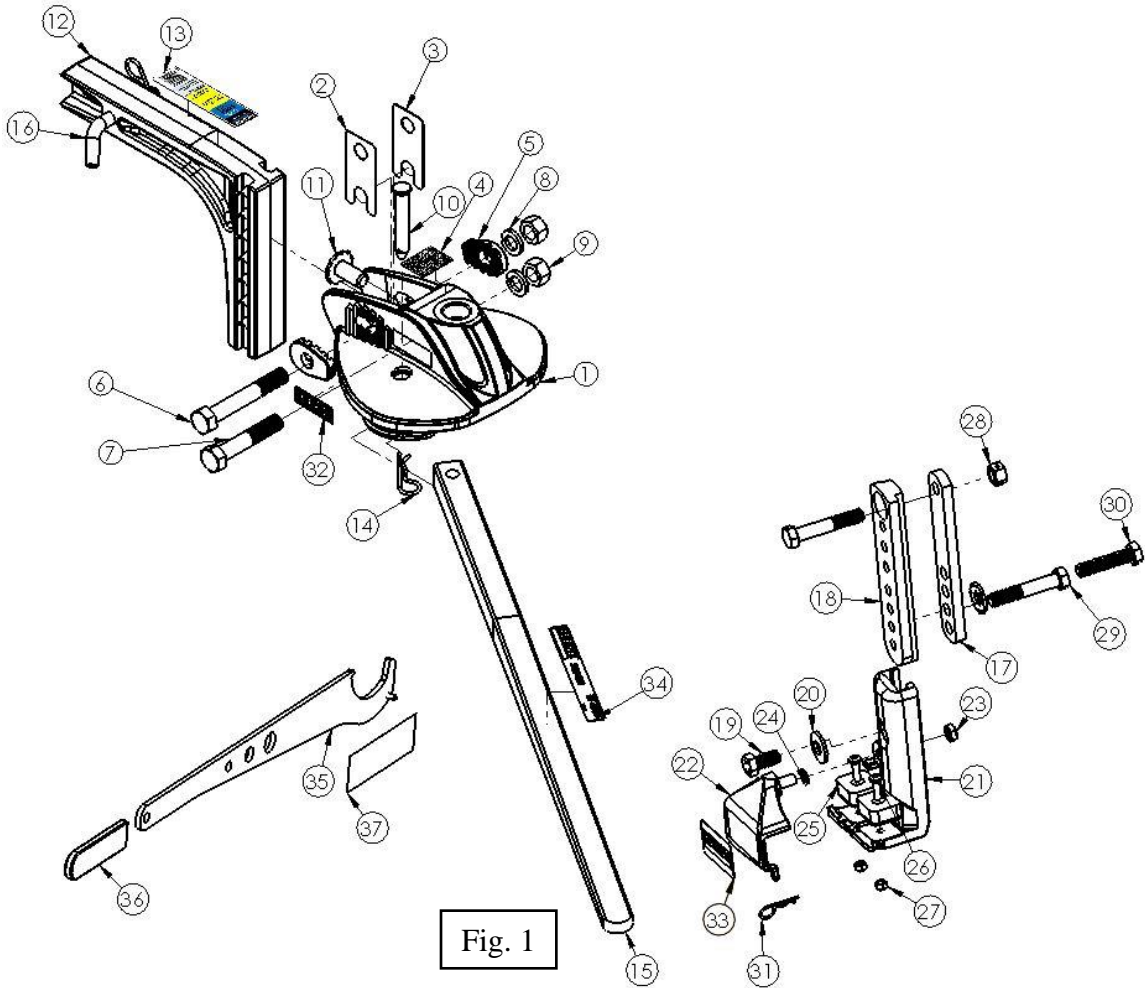


Fig. 1

ITEM NO.	DESCRIPTION	QTY.
1	BALL MOUNT	1
2	19 GA. BALL MOUNT SHIM	1
3	26 GA. BALL MOUNT SHIM	1
4	BALL MOUNT LABEL	1
5	TOOTHED WASHER	2
6	3/4-10X5 HEX BOLT	1
7	3/4-10X4 HEX BOLT	1
8	3/4 LOCK WASHER	2
9	3/4-10 GR5 HEX NUT	2
10	CLEVIS PIN	2
11	HEAD ADJUSTMENT BOLT	1
12	HITCH BAR	1
13	HITCH BAR LABEL	1
14	SPRING CLIP	3
15	1000LB. SPRING BAR 1200LB. SPRING BAR 1400LB. SPRING BAR	2
16	5/8 PULL PIN	1
17	CLAMPING BAR	2
18	T BAR	2
19	5/8-11X1.25 HEX BOLT	2

ITEM NO.	DESCRIPTION	QTY.
20	CONICAL WASHER, 5/8"	4
21	L.H./R.H. ADJUSTABLE BRACKET	1/1
22	L.H./R.H. SPRING BAR COVER	1/1
23	1/2-13 THIN NYLOCK NUT	2
24	1/2 NYLON WASHER	2
25	FRICTION PAD	4
26	5/16-18X1 PAN HEAD SCREW	4
27	5/16-18 NYLOCK NUT	4
28	5/8-11 LOCK NUT	2
29	5/8-11X3.5 GR 5 HEX BOLT	4
30	5/8-11X2.75 GR 5 HEX BOLT	2
31	SMALL SPRING CLIP	2
32	REESE LOGO LABEL 2	2
33	REESE LOGO LABEL 1	2
34	1000 LB. STEADi-FLEX LABEL 1200 LB. STEADi-FLEX LABEL 1400 LB. STEADi-FLEX LABEL	2
35	LIFT HANDLE	1
36	HANDLE GRIP	1
37	HANDLE LABEL	1

GENERAL TRAILERING SAFETY INFORMATION

DO NOT TOW MULTIPLE TRAILERS: Do not attempt to tow any type of trailer behind another trailer. Towing multiple trailers may cause severe instability, loss of control and/or structural failure, and may result in vehicle accident, property damage and personal injury. Towing multiple trailers is illegal in many jurisdictions.

TOWING TIPS:

DRIVING: Good habits for normal driving need extra emphasis when towing. The additional weight affects acceleration and braking, and extra time should be allowed for passing, stopping, and changing lanes. Signal well in advance of a maneuver to let other drivers know your intentions. Severe bumps and badly undulating roads can damage your towing vehicle, hitch, and trailer, and should be negotiated at a slow steady speed. **IF ANY PART OF YOUR TOWING SYSTEM "BOTTOMS" OUT, OR IF YOU SUSPECT DAMAGE MAY HAVE OCCURED IN ANY OTHER WAY, PULL OVER AND MAKE A THOROUGH INSPECTION. CORRECT ANY PROBLEMS BEFORE RESUMING TRAVEL.**

CHECK YOUR EQUIPMENT: Routinely check the condition of all your towing equipment every time you tow, and keep it in top condition.

TRAILER LOADING: Proper trailer loading is important. Heavy items should be placed close to the floor near the trailer axle. The load should be balanced side-to-side and firmly secured to prevent shifting. Tongue weight should be about 10-15 percent of the gross trailer weight for most trailers. Too low a percentage of tongue weight will often produce a tendency to sway. Excess weight on the tongue can also lead to sway and damage hitch and / or tow vehicle.

SWAY CONTROLS: A sway control can help minimize the affects of sudden maneuvers, wind gusts, and buffeting caused by other vehicles. Use of a sway control is recommended for trailers with large surface areas, such as travel trailers.

TIRE INFLATION: Unless specified otherwise by the towing vehicle or trailer manufacturer, tires should be inflated to their maximum recommended pressure.

TOWING VEHICLE AND TRAILER MANUFACTURERS' RECOMMENDATIONS: Review the owners' manuals for your towing vehicle and trailer for specific recommendations, capacities, and requirements.

PASSENGERS IN TRAILERS: Trailers should NOT be occupied while being towed, under any circumstances.

TRAILER LIGHTS, TURN SIGNALS, AND ELECTRIC BRAKES: Always hook up and verify function of the trailer lights, turn signals, electric brakes and break-away switch connection (if so equipped) even for short trips.

REMOVE HITCH WHEN NOT TOWING: Remove hitch from towing vehicle receiver when not towing, to prevent contamination of head sockets, reduce chance of striking hitch on driveway ramps or other objects, and minimize damage in the event of a rear-end collision.

GENERAL WEIGHT DISTRIBUTING SAFETY INFORMATION

WARNINGS: LOADED BALL HEIGHT SHOULD NEVER BE GREATER THAN UNCOUPLED BALL HEIGHT:

Front wheel overload and loss of rear wheel traction can result, and can lead to unstable handling, reduced braking ability, and a tendency to "jackknife" when turning and braking at the same time. **IF LOADED BALL HEIGHT IS GREATER THAN UNCOUPLED HEIGHT, re-adjust head and re-measure until proper height is obtained.**

CHANGE OF VEHICLE AND/OR TRAILER: Moving a weight distributing system from one vehicle/trailer to another requires readjustment to fit new vehicle/trailer properly before using.

DISASSEMBLY: Never disassemble/remove any part of weight distributing system while hitch is under load.

HITCH INFORMATION:

This system is designed to distribute a portion of the trailers tongue weight onto the front axle of the tow vehicle and the trailer axles as well to provide superior resistance to sway. Without a system to distribute this weight, the tow vehicle/trailer set up may be unsafe as the rear axles of the tow vehicle can become overloaded, which makes a sway event more likely. This weight is distributed by loading the spring bars and using leverage to level the tow vehicle and trailer. This same load that is used to distribute the weight of the trailer tongue causes friction between the friction pads and the spring bars. This friction is what allows this system to provide superior sway control. **This system is designed to work with all 4"-7" tall trailer frames with bottom mount couplers. This system works with all 4" tall trailer frames with top mount couplers. For trailer frames 5"-7" tall, with top mount couplers, refer to Technical Bulletin TB17-01 for detailed coupler design fitment information.**

PRE-INSTALLATION:

Tools: Gather all tools listed on the cover sheet and organize them near the installation area. Open the hardware bag and organize the hardware for easy access.

Trailer:

For best results, install this system with the tow vehicle and trailer on level ground in the loaded condition. Failure to do so could result in improper system load, which could reduce the performance.

- Chock the tires and uncouple the trailer to allow the trailer to be stable for installation.
- Verify that the tire pressure is as specified in the trailer owner's manual.
- Lower the trailer jack and raise the trailer so that it is sitting level.

Note: Level can be checked with a level or by confirming that the measurements at the front and rear of the trailer are equal.

- Use a pencil to mark the center of the trailer coupler. This will be used to locate the A-Frame brackets later in the installation.

Tow Vehicle:

- Verify that the tow vehicle, hitch and all hitch components are capable of towing the trailer by referring to the owners manual.
- Inspect the vehicle to ensure that it is in condition to tow.
- Refer to the owners manual for towing recommendations.

Hitch Ball Installation:

- Choose a hitch ball with a rating that meets or exceeds the rating of the kit.

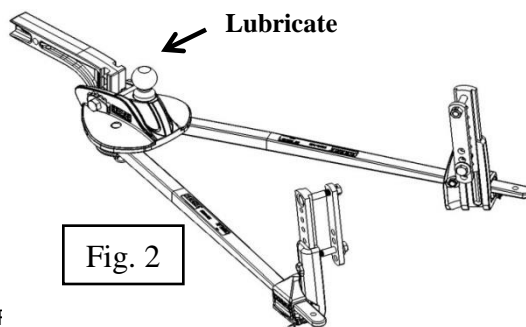
Note: Hitch balls with weight ratings above 1,000 lbs. typically have 1-1/4" shafts, if a 1" shaft is used, a bushing (sold separately) is required for use with this ball mount.

- The hitch ball must be the same size as what is required for the coupler that is on the trailer.
- Install the hitch ball and torque to the manufacturers specified torque, typically 400ft.-lbs for a 1-1/4" hitch ball. A locking feature is required, e.g., a lock washer/nylock nut.

Note: 1-7/8" socket and torque wrench capable of manufacturers specified torque needed for assembly. If needed, your nearest Reese or RV dealer will have tools necessary for hitch ball assembly. A fee may be applicable.

Lubrication:

- Lubricate the hitch ball with automotive grease to prevent unnecessary wear (See Fig. 2)
- Remove excess grease and dirt whenever the trailer is uncoupled.
- Do not lubricate the friction pads



FRAME BRACKET INSTALLATION:

Item No.	Qty.	Description
1	4	Hex Bolt 5/8"-11 x 3-1/2" GR5
2	2	5/8"-11 Lock Nut
3	4	5/8" Conical Washer
4	2	Hex Bolt 5/8"-11 x 1-1/4" GR5
5	2	Hex Bolt (For 1.5" Wide Frames) 5/8"-11 x 2-3/4" GR5

1. Use the tape measure to locate a point between 27"-32" along the A-Frame from the center of the coupler. Mark this location with a pencil on both sides of the A-Frame (See Fig. 3)
2. Insert a 3-1/2" long 5/8" bolt (1) through the large hole in the **T-Bar** and single hole in the **Clamping Bar**.
3. Secure with a 5/8" lock nut (2) and hand tighten.
4. Slide the **T-Bar** and **Clamping Bar** over the frame where the mark is located from step 1. The **T-Bar** must be located on the outside of the A-Frame with the large hole facing outward (See Fig. 4). Allow 1" of clearance on either side of the **T-Bar**.
5. Insert a second 5/8" bolt *from the inside* through a conical washer and the **Clamping Bar** and thread into the **T-Bar**. Use the highest holes not obstructed by the bottom of the frame (See Fig. 4).
Note: 1-1/2" wide frames require the 2-3/4" long 5/8" bolts (5) to fasten the bottom of the T-Bar and Clamping Bar.
6. Snug the 5/8" nuts and confirm that the brackets are installed correctly (See Fig. 5).
7. Repeat steps 1-6 for the other side of the A-Frame.
8. **Snug all 5/8" hardware (do not torque at this time).**

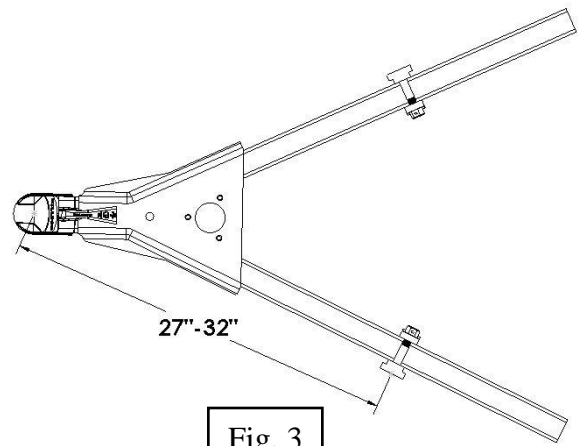


Fig. 3

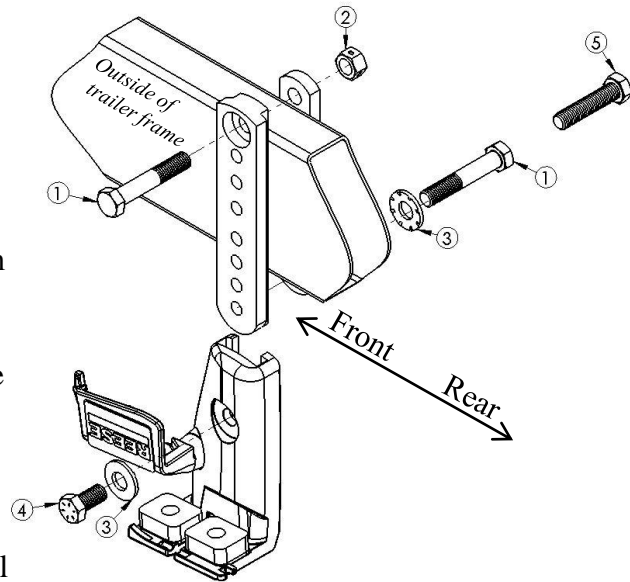


Fig. 4

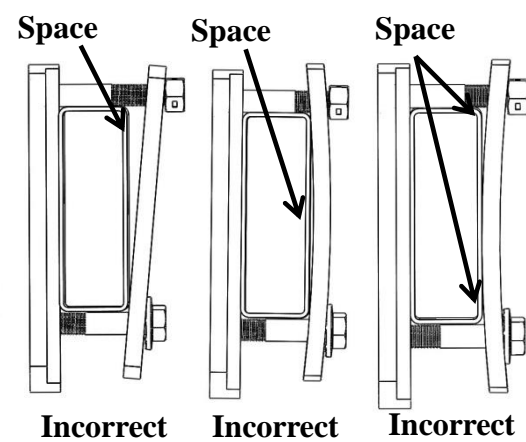
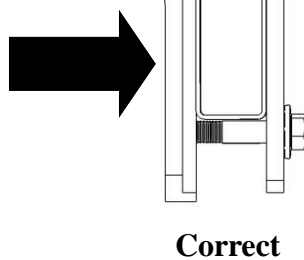


Fig. 5



9. Slide the **Adjustable Frame Bracket** onto the **T-Bar** to the corresponding height for top/bottom mounted coupler. For top mounted couplers, one threaded hole should be visible above the **Adjustable Frame Bracket**. For bottom mounted couplers, the **Adjustable Frame Bracket** mounting bolt should be fastened one bolt hole below the bottom bolt on the frame bracket (See Fig. 6).

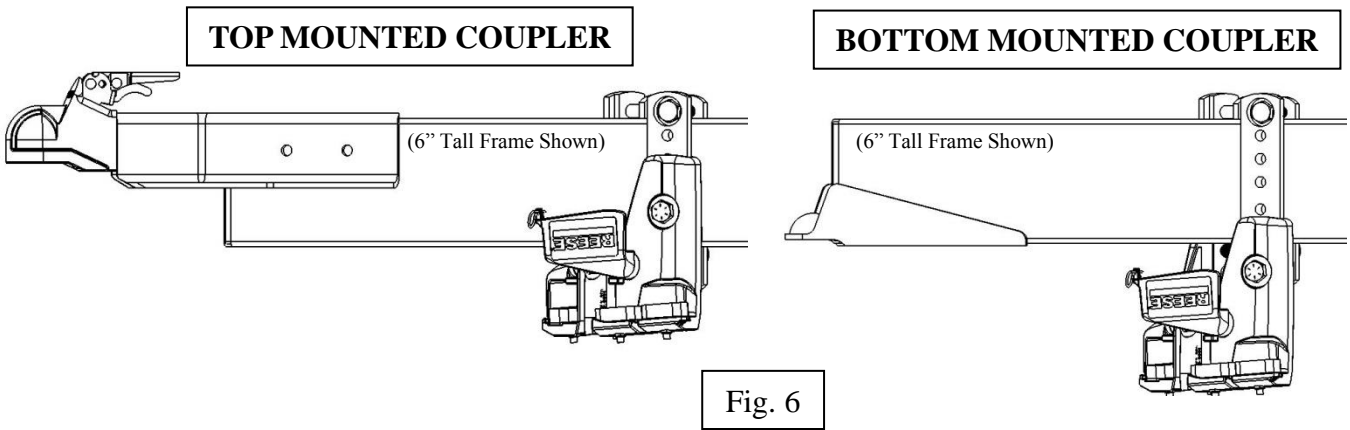


Fig. 6

10. Insert the short 5/8" bolt through a conical washer, **Adjustable Frame Bracket** mounting hole and into the **T-Bar**. Hand tighten the bolt. (See Fig. 7)
11. Repeat steps 9 and 10 for the other side of the A-Frame.
12. **Snug all 5/8" hardware (do not torque at this time).**

Note: Use this vertical mounting location as a starting point. For system adjustment, see pg. 9

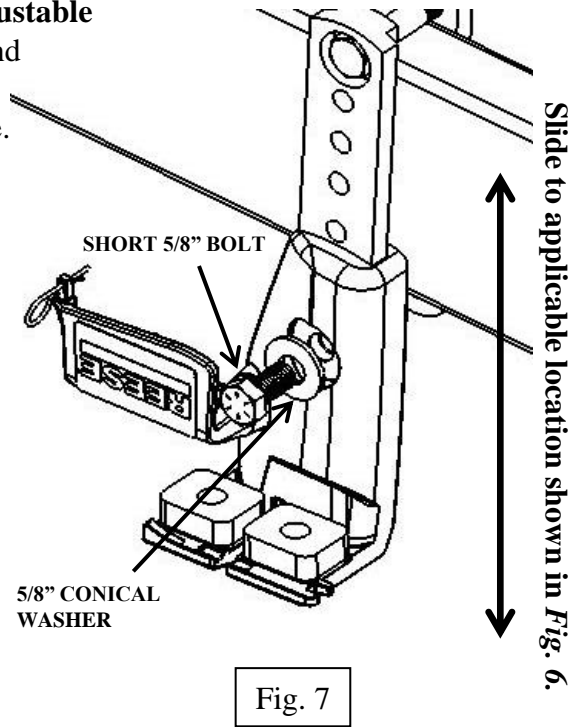


Fig. 7

Slide to applicable location shown in Fig. 6.

BALL MOUNT INSTALLATION:

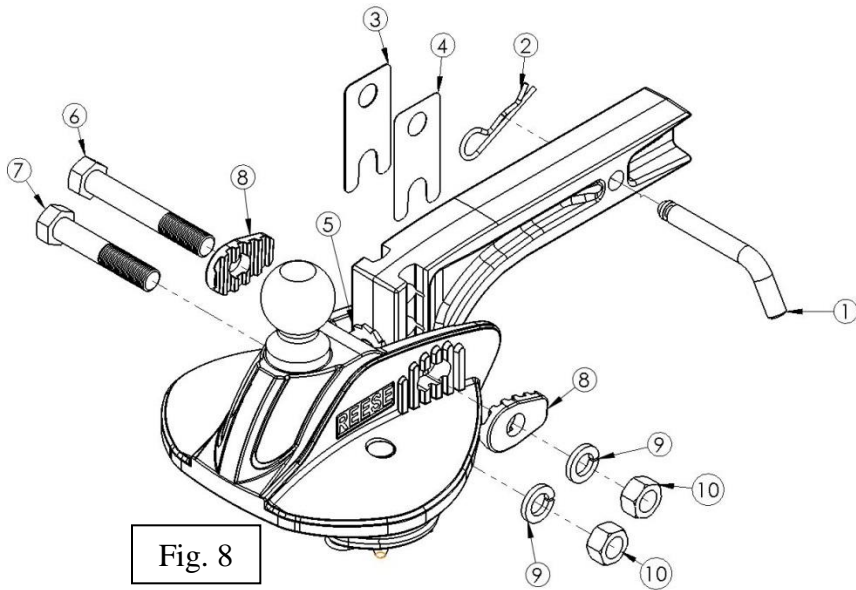


Fig. 8

Item No.	Qty.	Description
1	1	5/8" Pull Pin
2	1	Spring Clip
3	1	Ball Mount Shim
4	1	Thin Ball Mount Shim
5	1	Adjustment Bolt
6	1	Hex Bolt 3/4"-10x5 GR8
7	1	Hex Bolt 3/4"-10x4 GR8
8	2	Toothed Washer
9	2	Lock Washer 3/4"
10	2	Hex Nut 3/4"-10

13. With the trailer level, measure from the top of the coupler to the ground.
14. Install the hitch bar into the tow vehicle's receiver and secure with pull pin and spring clip.
15. Insert the short 3/4" bolt through bottom hole of the ball mount and a hole in the hitch bar that will position the top of the ball 1/2"-1" above the top of the coupler (See Fig. 8 & 8A).
16. Assemble the ball mount using the rest of the hardware
BOTH 3/4" BOLTS ARE REQUIRED.

Note: One or both shims may be required for a tight fit between the ball mount and hitch bar.

13. Set the ball mount angle by aligning the toothed washer with the grooves on the ball mount as shown in Fig. 9 and Fig. 8a.
Note: Use this ball mount angle as a starting point. To adjust the head angle, position the toothed washer in the grooves that will allow the desired head angle. See page 9 for the Adjustment Guide.
14. Torque the 3/4" ball mount bolts to 300 ft.-lbs.
15. Secure the ball mount position by turning the adjustment bolt counter clock-wise with a hammer and flat head screw driver. Once snug, turn an additional 1/4-1/2 turn (See Fig. 10).

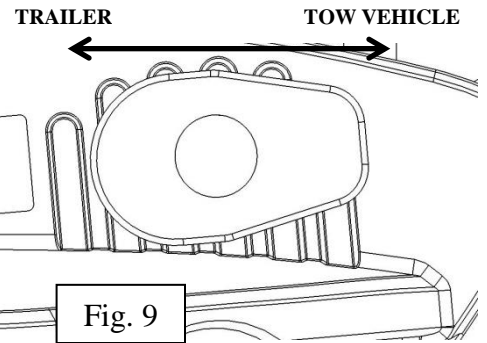


Fig. 9

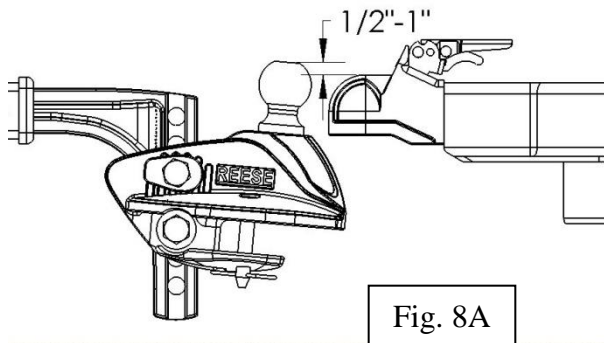


Fig. 8A

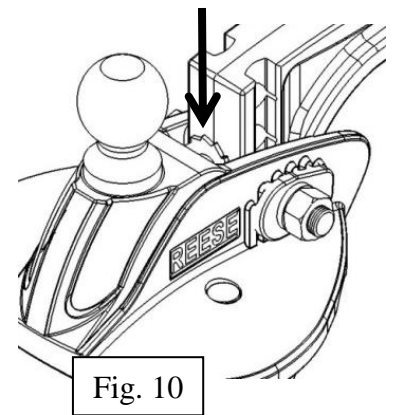
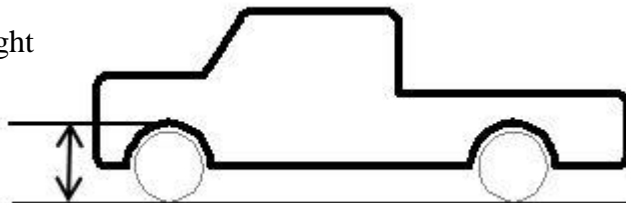


Fig. 10

BEFORE HITCHING: Measure the front wheel well height of the tow vehicle before hitching or installing this weight distributing system. Record this measurement.



FRONT WHEEL WELL HEIGHT BEFORE INSTALLATION: H1= _____

SPRING BAR/FINAL INSTALLATION:

20. Use the trailer jack to lift the trailer coupler above the hitch ball.
21. Back the tow vehicle so that the hitch ball is directly under the trailer coupler.
22. Lower the trailer and attach the trailer to the hitch ball. Lock the coupler before proceeding.
23. Lubricate contact surfaces of spring bar to ball mount (approx. first 7in) with petroleum based lubricant (e.g. WD-40) before initial use.
24. Insert spring bar (**label/taper up, flat side down**) into ball mount and secure with clevis pin and spring clip (see Fig. 11).
25. Swing the spring bar so that it is positioned slightly outboard of the adjustable bracket.
26. Repeat steps 23- 25 for the other side.
27. Extend the trailer jack and raise the front of the trailer and the back of the tow vehicle approx. 4" above level or until the spring bars are clear of the friction pads.
28. Open spring bar cover and use the lift handle to place the spring bars onto the friction pads (See Fig. 12).
29. Remove the lift handle and swing the spring bar cover down over the spring bar. Secure by inserting the spring clip into the hole in spring bar cover.
30. Verify that movement of spring bars will not cause contact with the trailer. There should be at least 4" clearance past the end of the bars.

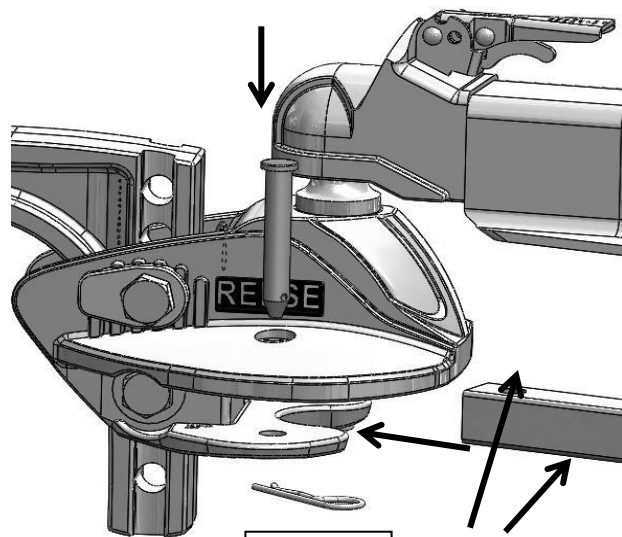


Fig. 11 Lubricate

31. **Important! Retract jack, then loosen clamping bar bolts and adjust/angle friction pads to settle flat against spring bars. Once flush, torque all 5/8" nuts and bolts to 130 ft-lbs.**

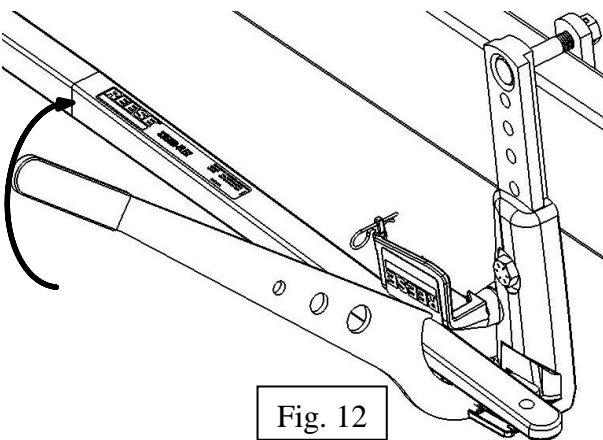


Fig. 12

AFTER HITCHING: Retract the trailer jack and measure the front wheel well height with the weight distributing system installed. Record this measurement.

Note: -H2 should never be less than H1

-H2 should be within 1/2" of H1

FRONT WHEEL WELL HEIGHT AFTER INSTALLATION: H2= _____

SEE PAGE 9 FOR ADJUSTMENT BASED ON H1 & H2 MEASUREMENTS,

UNHITCHING:

1. Place the truck in park and apply the emergency brake.
2. Chock (block) the trailer tires to ensure that the trailer does not roll once it is released from the tow vehicle.
3. Use the jack to lift the nose of the trailer slightly above level to remove the load on the spring bars.
4. Use the lift handle to remove the spring bars from the friction pads and swing the bars outward so they do not interfere with any part of the truck, trailer or WD system.
5. Lower the trailer to unlatch the trailer coupler.
6. Use the trailer jack to lift the trailer high enough so that that top of the ball is below the bottom of the trailer coupler.
7. Remove the clevis pin and spring clips from the ball mount and remove the spring bars.
8. Drive the tow vehicle forward about 4 feet.
9. Remove the hitch bar and ball mount from the tow vehicle receiver.

ADJUSTMENT GUIDE

Issue	Possible Cause	Recommendation
Trailer Sway	Tow capacity exceeded	<u>DO NOT TOW.</u> You must not exceed your tow vehicle manufacturers rating, Hitch or tow system ratings at any time.
	Tongue weight too light	Loaded tongue weight below 10% of the loaded trailer rating can be the cause of trailer sway at speed. Without exceeding trailer manufacturers recommendation or overloading the rear axle of the tow vehicle rearrange weight in the trailer forward to increase tongue weight to 10-15% of gross trailer rating.
	Not enough Weight Distributing	Adjust the A-Frame bracket up one hole or adjust the head angle downward.
	Hitch undersize or deflecting before Spring bars can be fully loaded	Make sure your Hitch rating exceeds your trailer rating and tongue weight rating. If your hitch still bends before your spring bars get to load <u>DO NOT USE</u>
	Incorrect tire pressure	Be sure all tires are filled to tire manufacturers recommendations.
A-Frame bracket moving on frame	Clamping bar under tightened or over tightened.	Review proper clamping instructions on page 5
Trailer tongue too low (<1.5") or H2 greater than H1+1/4"	Initial ball height not set properly	Readjust head height up one hole
	Not enough Weight Distributing	Adjust the A-Frame bracket up one hole or adjust the head angle downward.
	Hitch is undersize or flexing	Replace hitch with the appropriate Reese WD system.
Trailer tongue too high (> 1.5") or H2 is less than H1	Initial ball height not set properly	Readjust head height down one hole
	Too much Weight Distributing	Adjust A-Frame bracket down one hole or adjust the head angle upward.
Severe Noise*	Improperly attached system	Inspect all components and hardware of system to ensure all parts are fastened appropriately. Tighten or replace components/hardware where necessary.
	Extended non-use	System may need to go through break-in phase again. Remove spring bars and apply petroleum based lubricant (e.g. WD-40) to top and bottom surfaces of spring bars only where they contact the ball mount (Approx. first 7 in., not friction pads)

*Due to the friction aspects of the Steadi-Flex system, some noise during use is normal, especially in slow, tight turning maneuvers. During break-in, it is common for noise to be more severe, but will usually subside after system is used a few times.

NOTES:

Part Number Purchased:

Place of Purchase:

Date of Purchase:

BEFORE EACH TRIP:

- Check to see that all bolts are properly tightened and hitch pin and clip are securely in place
- Check to see that electrical hooks are in working order, and that safety chains are connected

MAINTENANCE:

- Store this system out of the elements
- Always wear hand protection when handling any part of the weight distributing system.
- Touch up the paint if necessary to prevent rust
 - **Do not paint over the warning labels**
- Keep these areas free of debris
 - Hitch ball (**lubricate each use**)
 - Inside the trailer coupler
 - Spring bar contact surfaces in the ball mount
 - Spring bar contact surfaces on the friction pads
- Lubricate spring bars contact surfaces to ball mount when necessary
 - Severe noise
 - Extended non-use

For Installation or Operation Support contact CPP Technical Service:
800-632-3290.

LIMITED LIFETIME WARRANTY

- 1. Limited Lifetime Warranty (“Warranty”).** Cequent Performance Products, Inc. (“We”, “Us” or “Our”) warrants to the original consumer purchaser only (“You” or “Your”) that the product will be free from material defects in both material and workmanship, ordinary wear and tear excepted. The Warranty is valid only if (a) the products are returned to Us for inspection and testing; (b) Our inspection discloses to Our satisfaction that any alleged nonconformance are material and have not been caused by misuse, neglect, wear and tear, improper installation, unsuitable storage, improper repair, alteration, or accident; and (c) the products were installed, maintained and used in accordance with Our instructions. **THE WARRANTY IS MADE IN LIEU OF ALL OTHER WARRANTIES, EXPRESS OR IMPLIED (OTHER THAN THE WARRANTY OF TITLE AS PROVIDED BY THE UNIFORM COMMERCIAL CODE IN EFFECT IN MICHIGAN), INCLUDING WITHOUT LIMITATION, ANY WARRANTIES OF MERCHANTABILITY OR FITNESS FOR A PARTICULAR PURPOSE, SAID WARRANTIES BEING EXPRESSLY DISCLAIMED.**
- 2. Obligations of Purchaser.** To make a Warranty claim, contact Us at our principal address of 47912 Halyard Drive, Suite 100, Plymouth, MI 48170, 1-800-632-3290, identify the product by model number, and follow the claim instructions that will be provided. Any returned product that is replaced by Us becomes our property. You may be responsible for return shipping costs. Please retain your purchase receipt to verify date of purchase and that You are the original consumer purchaser. The product and the purchase receipt must be provided to Us in order to process Your Warranty claim.
- 3. Exclusive Remedy.** Product replacement is Your sole and exclusive remedy under this Warranty. We shall not be liable for service or labor charges incurred in removing or replacing a product. **IN NO EVENT WILL WE BE RESPONSIBLE FOR ANY INDIRECT, SPECIAL, CONSEQUENTIAL OR PUNITIVE DAMAGES.**
- 4. Assumption of Risk.** You acknowledge and agree that any use of the product for any purpose other than the specified use(s) stated in the product instructions is at Your own risk.
- 5. Governing Law.** This Warranty gives You specific legal rights, and You also may have other rights which vary from state to state. This Warranty is governed by the laws of the State of Michigan, without regard to rules pertaining to conflicts of law. The state courts located in Oakland County, Michigan shall have exclusive jurisdiction for any disputes relating to this Warranty.

**For detailed installation instructions, videos, safe towing tips and more,
visit <http://www.cequentgroup.com/qr-product.aspx>**

MANUAL DEL PROPIETARIO REESE Steadi-Flex

Kits de distribución de peso
WWW.REESEPRODUCTS.COM

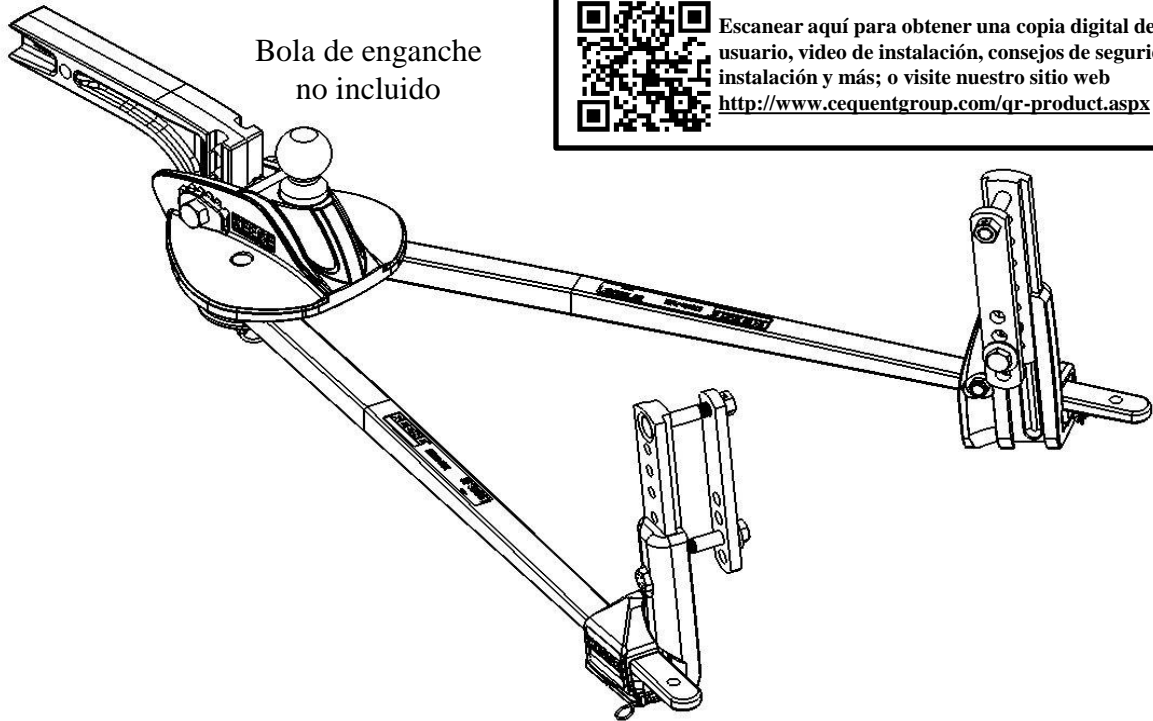
NÚMEROS DE PARTES:

66559: 1,000 lb.

66560: 1,200 lb.

66561: 1,400 lb.

PLYMOUTH, MI



Escanear aquí para obtener una copia digital del manual del usuario, video de instalación, consejos de seguridad de la instalación y más; o visite nuestro sitio web <http://www.cequentgroup.com/qr-product.aspx>

Contenido

Lista detallada de partes	12
Información de seguridad	13
Información del enganche/Pre-instalación	14
Instalación	15-18
- Instalación del soporte del bastidor	15-16
- Instalación del soporte de la esfera de enganche.....	17
- Instalación final/barra de resorte	18
Desenganche/ajuste del sistema	19
Notas/Mantenimiento del sistema/Servicio técnico/Garantía	20

HERRAMIENTAS NECESARIAS:

- Llave de torsión con capacidad de 300 pies-libras
- Lubricante a base de petróleo (e.g. WD-40)
- Dado de 15/16" y llave de tubo
- Dado de 1-1/8" y llave de tubo
- Cinta de medir
- Lápiz
- Destornillador cabeza plana
- Martillo

HERRAMIENTAS RECOMENDADAS:

- Llave de torsión con capacidad de 450 pies-libras
- Dado de 1-7/8"
- Guantes de Seguridad

ADVERTENCIA

Nunca exceda la capacidad de remolque del fabricante, la calificación del enganche o la calificación de la esfera del enganche.

Para asistencia con la instalación o ayuda técnica, llame al 1800-632-3290

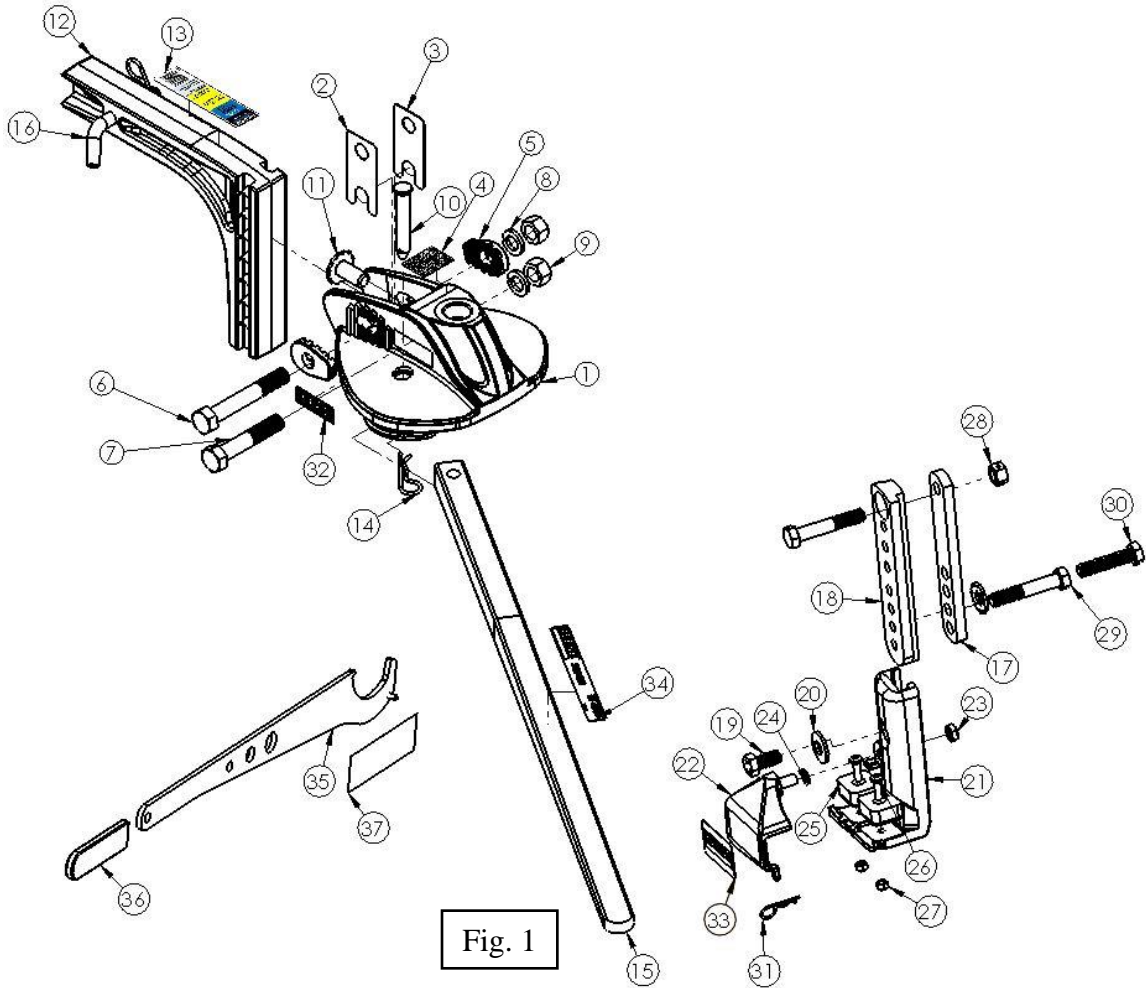


Fig. 1

PIEZA No.	DESCRIPCIÓN	CANT.
1	SOPORTE PARA LA ESFERA DE ENGANCHE	1
2	19 GA. CUÑA PARA EL SOPORTE DE LA ESFERA DE ENGANCHE	1
3	26 GA. CUÑA PARA EL SOPORTE DE LA ESFERA DE ENGANCHE	1
4	ETIQUETA PARA EL SOPORTE DE LA ESFERA DE ENGANCHE	1
5	ARANDELA DENTADA	2
6	TORNILLO HEXAGONAL, 3/4-10X5	1
7	TORNILLO HEXAGONAL, 3/4-10X4	1
8	ARANDELA CANDADO, 3/4	2
9	TUERCA HEXAGONAL, 3/4-10 GR5	2
10	PASADOR DE HORQUILLA	2
11	TORNILLO DE AJUSTE	1
12	BARRA DE ENGANCHE	1
13	ETIQUETA DE LA BARRA DE ENGANCHE	1
14	CLIP DE RESORTE	3
15	. BARRA DE RESORTE, 1000 LB . BARRA DE RESORTE, 1200 LB. . BARRA DE RESORTE, 1400 LB.	2
16	PERNO DE TRACCIÓN, 5/8"	1
17	BARRA DE SUJECCIÓN	2
18	BARRA T	2
19	PERNO HEXAGONAL, 5/8-11X1.25	2

PIEZA No.	DESCRIPCIÓN	CANT.
20	ARANDELA CÓNICA, 5/8"	4
21	SOPORTE AJUSTABLE LADO IZQUIERDO Y LADO DERECHO	1/1
22	CUBIERTA DE LA LA BARRA DE RESORTE LADO IZQUIERDO Y LADO DERECHO	1/1
23	TUERCA DELGADA NYLOCK, 1/2-13	2
24	ARANDELA DE NYLON, 1/2	2
25	BASES DE FRICCIÓN	4
26	TORNILLO DE CABEZA PLANA, 5/16-18X1	4
27	TUERCA NYLOCK, 5/16-18	4
28	TUERCA DE BLOQUEO, 5/8-11	2
29	TORNILLO HEXAGONAL, 5/8-11X3.5 GR. 5	4
30	TORNILLO HEXAGONAL, 5/8-11X2.75 GR. 5	2
31	CLIP DE RESORTE PEQUEÑO	2
32	ETIQUETA CON LOGO DE REESE 2	2
33	ETIQUETA CON LOGO DE REESE 1	2
34	ETIQUETA STEADI-FLEX, 1000 LB. ETIQUETA STEADI-FLEX, 1200 LB. ETIQUETA STEADI-FLEX, 1400 LB	2
35	MANIJA ELEVADORA	1
36	ENGANCHE DE MANIJA	1
37	ETIQUETA DE LA MANIJA	1

INFORMACIÓN GENERAL REMOLQUE DE SEGURIDAD

NO ES PARA USAR CON REMOLQUES MÚLTIPLES: No intente remolcar ningún tipo de remolque detrás de otro. Llevar varios remolques puede causar grave inestabilidad, pérdida del control y/o falla estructural y puede resultar en accidente del vehículo, daños a la propiedad y lesiones personales. Llevar múltiples remolques es ilegal en muchas jurisdicciones.

SUGERENCIAS PARA EL REMOLQUE:

MANEJO: Los buenos hábitos para manejar normalmente requieren un énfasis adicional al remolcar. El peso adicional afecta la aceleración y el frenado, y se requiere tiempo adicional para pasar, frenar y cambiar de carriles. Indique con anticipación una maniobra para informar a otros conductores de sus intenciones. Los impactos severos y las carreteras con muchas ondulaciones pueden dañar su vehículo de remolque, enganche y remolque, y se debe conducir a una velocidad baja constante. **SI CUALQUIERA DE LAS PARTES DE SU SISTEMA DE REMOLQUE SE CAE O SI USTED SOSPECHA QUE HAN OCURRIDO DAÑOS DE CUALQUIER CLASE, SÁLGASE DE LA CARRETERA Y HAGA UNA REVISIÓN A FONDO. CORRIJA CUALQUIER PROBLEMA ANTES DE SEGUIR DESPLAZÁNDOSE.**

REVISE SU EQUIPO: Revise con frecuencia el estado de todo su equipo de remolque y manténgalo en condiciones óptimas.

CARGA DEL REMOLQUE: La carga correcta del remolque es importante. Los artículos pesados se deben colocar cerca al piso y al eje del remolque. La carga se debe balancear de lado a lado y asegurarse firmemente para evitar los movimientos. El peso de la horquilla debe ser 10-15 por ciento del peso bruto del remolque para la mayoría de los remolques. Un porcentaje muy bajo de peso de la horquilla producirá una tendencia a oscilar. El peso excesivo en la horquilla también puede resultar en una oscilación y daño al enganche y/o al vehículo de remolque.

CONTROLES DE OSCILACIÓN: Un control de oscilación puede ayudar a minimizar los efectos de maniobras repentinas, ráfagas de viento y sacudidas causadas por otros vehículos. Se recomienda un control de oscilación para remolques con áreas grandes de superficie, como remolques de viaje.

INFLADO DE LLANTAS: A menos que se especifique lo contrario por parte del fabricante del vehículo de remolque, las llantas se deben inflar a la presión máxima recomendada.

RECOMENDACIONES DEL FABRICANTE DEL REMOLQUE Y VEHÍCULO DE REMOLQUE: Revise los manuales del propietario para su remolque y vehículo de remolque para las recomendaciones específicas, capacidades y requisitos.

PASAJEROS EN LOS REMOLQUES: Los remolques NO se deben ocupar mientras se remolcan, bajo ninguna circunstancia.

LUCES, DIRECCIONALES Y FRENOS ELÉCTRICOS DEL REMOLQUE: Siempre instale y verifique el funcionamiento de las luces del remolque, las direccionales, los frenos eléctricos y la conexión del interruptor de liberación (si viene equipado) incluso para viajes cortos.

RETIRE EL ENGANCHE CUANDO NO ESTÉ REMOLCANDO: Retire el enganche del receptor del vehículo remolcador cuando no esté remolcando, para evitar la contaminación de los receptáculos de la cabeza, reducir la probabilidad de golpear el enganche en las rampas de los estacionamientos u otros objetos, y reducir daños en el caso de una colisión por detrás.

INFORMACIÓN GENERAL DE PESO EN LA SEGURIDAD DE LA DISTRIBUCION DE CARGA

ADVERTENCIAS: LA ALTURA DE LA ESFERA DE ENGANCHE NUNCA DEBE SER SUPERIOR A LA ALTURA DE LA ESFERA DESACOPLADA. Puede producirse una sobrecarga de la rueda frontal y pérdida de la tracción de la rueda trasera, y resultar en una manipulación inestable, menor capacidad para frenar y una tendencia a "colear" al girar y frenar al mismo tiempo. **SI LA ALTURA DE LA ESFERA CARGADA ES MAYOR QUE LA ALTURA DESACOPLADA** reajuste la cabeza y vuelva a medir hasta que se alcance la altura correcta.

CAMBIO DE VEHÍCULO Y / O TRAILER: Traslado de un sistema de distribución de peso de un vehículo / remolcar a otro requiere un reajuste para caber nuevo vehículo / remolque correctamente antes de usar.

DESMONTAJE: Nunca desmonte o remueva cualquier parte del sistema de distribución, mientras que el enganche está bajo carga de peso.

INFORMACIÓN DEL ENGANCHE:

Este sistema está diseñado para distribuir una parte del peso de la horquilla del remolque en el eje delantero del vehículo remolcador y los ejes de remolque, así como para proporcionar una resistencia superior a la oscilación. Sin un sistema para distribuir este peso, la configuración del remolque/vehículo remolcador podría ser peligrosa ya que los ejes traseros del vehículo remolcador podrían quedar sobrecargados, lo que hace que un evento de oscilación sea más probable. Este peso se distribuye mediante la carga de las barras de resorte y el uso de apalancamiento para nivelar el vehículo remolcador y el remolque. Esta misma carga que se utiliza para distribuir el peso de la horquilla del remolque causa fricción entre las almohadillas de fricción y las barras de resorte. Esta fricción es lo que permite que este sistema proporcione control de oscilación superior. Este sistema está diseñado para funcionar con todos los bastidores de remolque de 4"-7" de altura con **acopladores de instalación inferior**. Este sistema funciona con todos los bastidores de remolque de 4" de altura con **acopladores de instalación superior**. Para bastidores de remolque de 5"-7" de altura, con **acopladores de instalación superior**, consultar el Boletín Técnico TB17-01 para obtener información detallada sobre el ajuste del diseño del acoplador.

PRE-INSTALACIÓN:

Herramientas: Reúna todas las herramientas que aparecen en la hoja de portada y organícelos, cerca de la zona de instalación. Abra la bolsa de piezas y organice las piezas para un fácil acceso.

Remolque:

Para obtener los mejores resultados, instale este sistema con el vehículo remolcador y el remolque en suelo nivelado con carga. No hacerlo podría resultar en la carga incorrecta del sistema, lo que podría reducir el desempeño.

- Bloquee las llantas y desacople el remolque para permitir que el remolque quede estable para la instalación.
- Verifique que la presión de los neumáticos sea la especificada en el manual del propietario del remolque.
- Baje el gato de remolque y eleve el remolque de forma que quede nivelado.

Nota: Se puede verificar la nivelación mediante el uso de un nivel o al confirmar que las mediciones en la parte delantera y trasera del remolque sean iguales.

- Use un lápiz para marcar el centro del acoplador del remolque. Esto se utiliza para localizar los soportes del bastidor estilo A más adelante durante la instalación.

Vehículo remolcador:

- Verifique en el manual del propietario que el vehículo remolcador y el enganche tengan la capacidad de remolcar el remolque.
- Inspeccione el vehículo para verificar que esté en condiciones de remolcar.
- Consulte el manual del propietario para las recomendaciones de remolque.

Instalación de la esfera de enganche:

- Elija una esfera de enganche con una calificación que cumpla o exceda la calificación del kit.

Nota: Las esferas de enganche con especificaciones de peso superiores a 1,000 libras, por lo general tienen ejes de 1-1/4", si usan un eje de 1", se requiere un cojinete para el uso con este soporte de esfera de montaje.

- Esta esfera de enganche debe ser del mismo tamaño que el requerido para el acoplador que está en el remolque.

- Instale la esfera del enganche y apriete según la especificación del fabricante, por lo general alrededor de 400 pies-lbs. Se requiere un dispositivo para el bloqueo, por ejemplo, una tuerca de bloqueo/tuerca nylock.

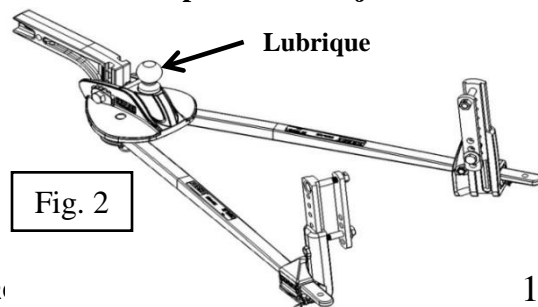
Nota: 1-7 / 8 "tubo y llave de torsión capaz de fabricantes par necesario para el montaje especificados. Si es necesario, su distribuidor más cercano Reese tendrá las herramientas necesarias para el montaje bola de enganche. Una pequeña cuota puede ser aplicable.

Lubricación:

- Lubrique la esfera del enganche con grasa automotriz para evitar el desgaste innecesario (Ver Fig. 2)

- Retire el exceso de grasa y la suciedad cada vez que el remolque se desenganche.

- No** lubrique las bases de fricción.



INSTALACIÓN DEL SOPORTE DEL BASTIDOR:

Pieza No.	Cant.	Descripción
1	4	Tornillo hexagonal, 5/8"-11 x 3-1/2" Gr5
2	2	Tuerca candado, 5/8"-11
3	4	Arandela cónica, 5/8"
4	2	Tornillo hexagonal, 5/8"-11 x 1-1/4" Gr5
5	2	Tornillo hexagonal (para bastidores de 1.5" de ancho) 5/8"-11 x 2-3/4" GR5

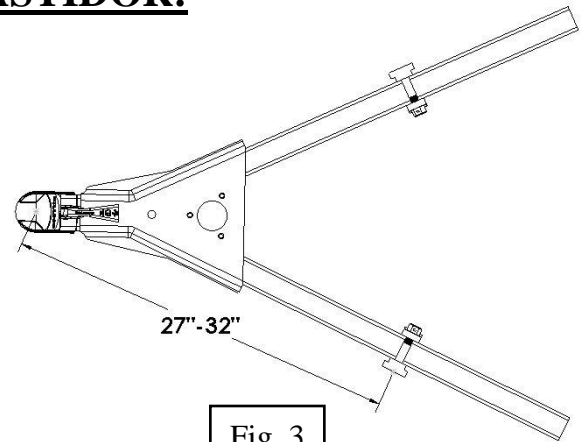


Fig. 3

- Use la cinta métrica para localizar un punto 27-32" a lo largo del bastidor tipo A desde el centro del acoplador. Marque esta ubicación con un lápiz en ambos lados del bastidor tipo A (Ver Fig. 3)
- Inserte un perno de 5/8" de 3-1/2" (1) a través del orificio grande en la **barra T** y en el único orificio en la **barra de sujeción**.
- Asegure con una tuerca de bloqueo de 5/8" (2) y apriete a mano.
- Deslice la **barra T** y la **barra de sujeción** sobre el bastidor donde se colocó la marca en el paso 1. La **barra T** debe estar ubicada en el exterior del bastidor tipo A con el orificio grande hacia afuera (ver Fig. 4). Permita 1" de distancia en ambos lados de la **barra T**.
- Inserte un segundo perno de 5/8" desde el interior a través de una arandela cónica y la **barra de fijación** y enrósquelo en la **barra T**. Use los orificios más altos no obstruidos por la parte inferior del bastidor (Ver Fig. 4).

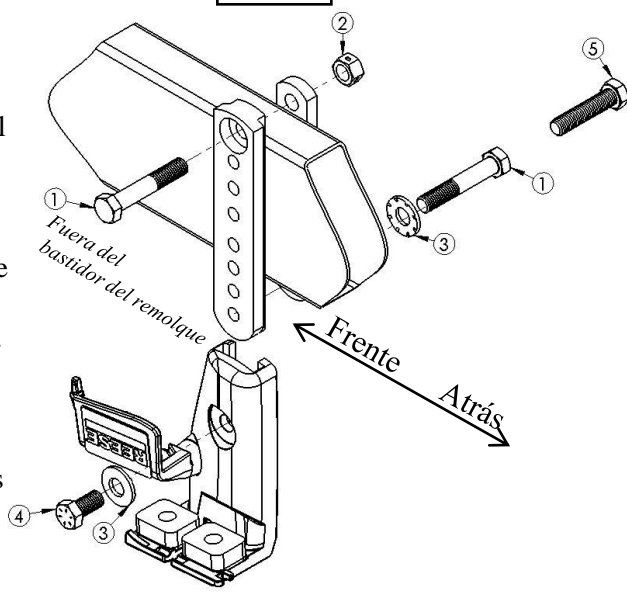


Fig. 4

Nota: Los bastidores de 1-1/2" de ancho requieren los tornillos (5) de 5/8" de 2-3/4" de largo para sujetar la parte inferior de la barra en T y la barra de sujeción.

- Apriete las tuercas de 5/8" y confirme que los soportes se instalen correctamente (Ver Fig. 5).
- Repita los pasos 1-6 en el otro lado del bastidor tipo A.
- Apretar todas las piezas de 5/8" a mano (no apretar con torque en este momento).

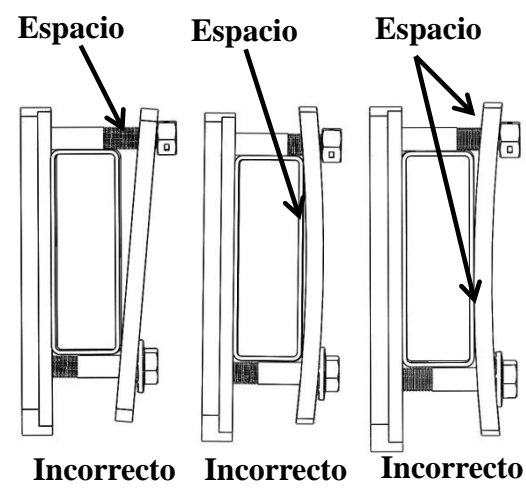
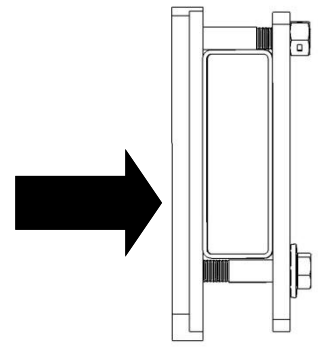
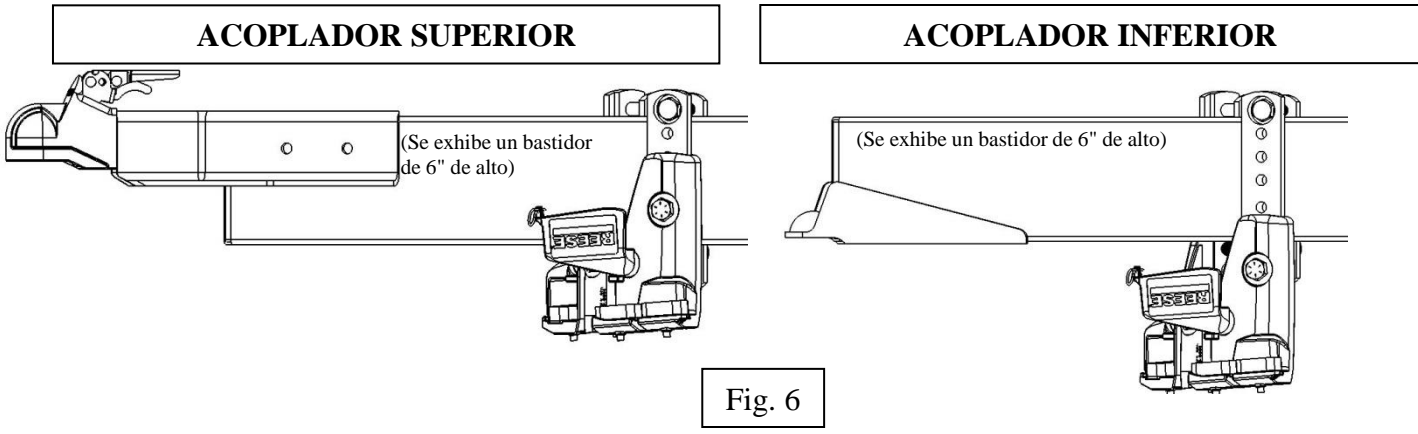


Fig. 5



Correcto

9. Deslice el **soporte del bastidor ajustable** sobre la **barra T** a la altura correspondiente para el montaje del acoplador superior o inferior. Para la instalación de los acopladores superiores, debe haber un orificio roscado visible por encima del **soporte del bastidor ajustable**. Para la instalación de los acopladores inferiores, el perno de montaje del **soporte del bastidor ajustable** debe fijarse en el orificio por debajo del perno del bastidor inferior (Ver Fig. 6).



- 10. Inserte el tornillo corto de 5/8" a través de una arandela cónica, el orificio de montaje del **soporte del bastidor ajustable** y en la **barra T**. Apriete la tuerca a mano. (Ver Fig. 7)
 - 11. Repita los pasos 9 y 10 en el otro lado del bastidor tipo A.
 - 12. Apretar todas las piezas de 5/8" a mano (no apretar con torque en este momento).
- Nota:** Utilice esta ubicación de montaje vertical como punto de partida. Para el ajuste del sistema, ver pág. 19

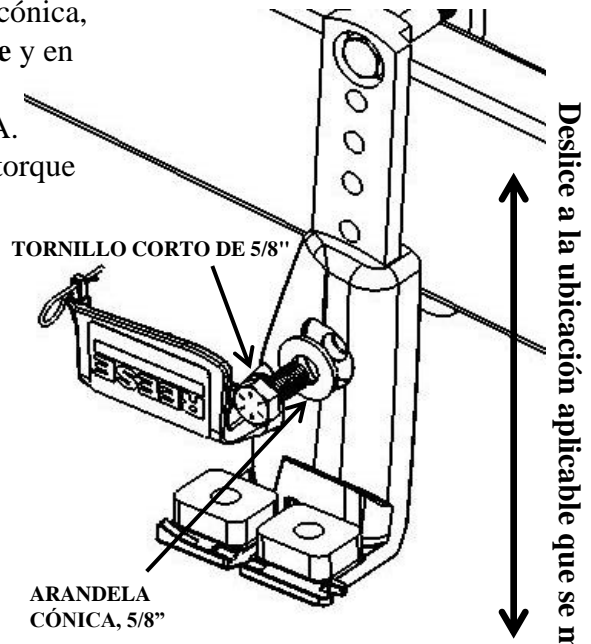


Fig. 7

Deslice a la ubicación aplicable que se muestra en la Fig. 6.

INSTALACIÓN DEL SOPORTE DE LA ESFERA DE ENGANCHE:

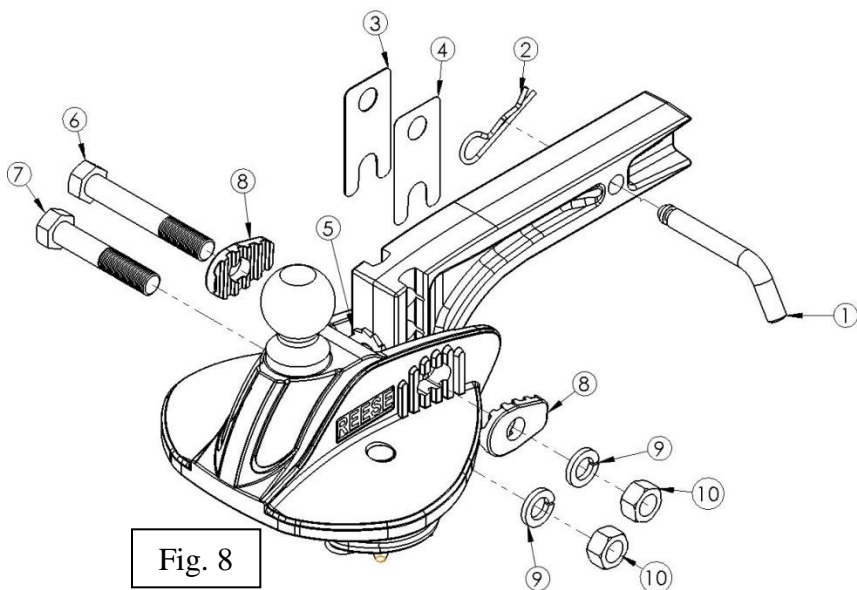


Fig. 8

Pieza No.	Cant.	Descripción
1	1	Perno pasador de tracción, 5/8"
2	1	Clip de resorte
3	1	Cuña para el soporte de la esfera de enganche
4	1	Cuña delgada para el soporte de la esfera
5	1	Perno de ajuste
6	1	Tornillo hexagonal, 3/4"-10x5 GR8
7	1	Tornillo hexagonal, 3/4"-10x4 GR8
8	2	Arandela dentada
9	2	Arandela de bloqueo, 3/4"
10	2	Tuerca hexagonal, 3/4"-10

13. Con el remolque nivelado, mida desde la parte superior del acoplador al suelo.
14. Instale la barra del enganche en el receptor del vehículo remolcador y asegure con el perno pasador de tracción y clip de resorte.
15. Inserte el tornillo corto de 3/4" a través del orificio inferior del soporte de la esfera y un orificio en la barra de enganche que se posicionará a la parte superior de la esfera de 1/2" -1" por encima de la parte superior del acoplador (Ver Fig. 8 y 8A).
16. Ensamble el soporte de la esfera de enganche con el resto de las piezas.
SE REQUIEREN AMBOS TORNILLOS DE 3/4".

Nota: Se podrían necesitar una o dos cuñas para un ajuste perfecto entre el soporte de la esfera y la barra de enganche.

17. Establezca el ángulo del soporte de la esfera alineando la arandela dentada con las ranuras en el soporte de la esfera como se muestra en la Fig. 9.

Nota: Utilice este ángulo de soporte de la esfera como punto de partida. Para ajustar el ángulo de la cabeza, coloque la arandela dentada en las ranuras que permitan el ángulo de cabeza deseado. Consulte la página 9 para la Guía de Ajuste.

18. Apriete a torsión los tornillos de 3/4" del soporte de la esfera a 300 pies-lbs.
19. Asegure la posición del soporte de la esfera girando el perno de ajuste en el sentido contrario del reloj con un martillo y un destornillador de punta plana. Una vez ajustado, dé un giro adicional de 1/4-1/2 (Ver Fig. 10).

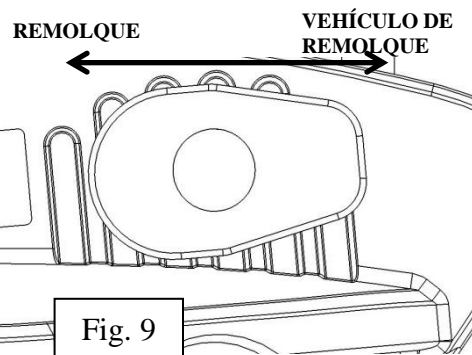


Fig. 9

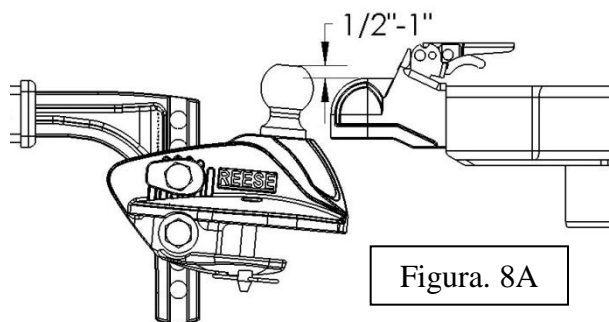


Figura. 8A

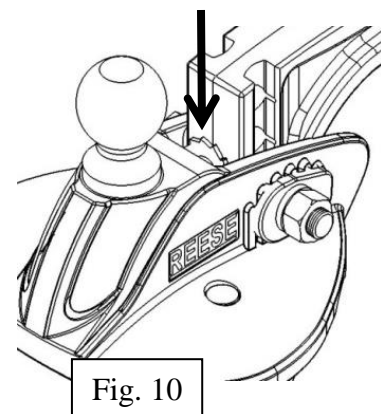
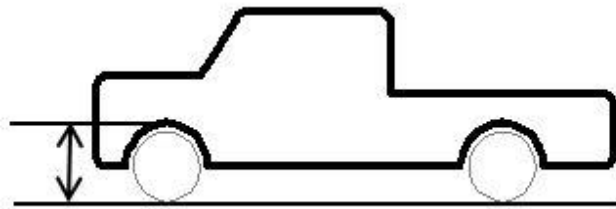


Fig. 10

ANTES DE LA INSTALACIÓN DEL ENGANCHE:

Mida la altura del receptáculo de la rueda delantera del vehículo remolcador antes de enganchar o instalar este sistema de distribución de peso. Registre esta medida.

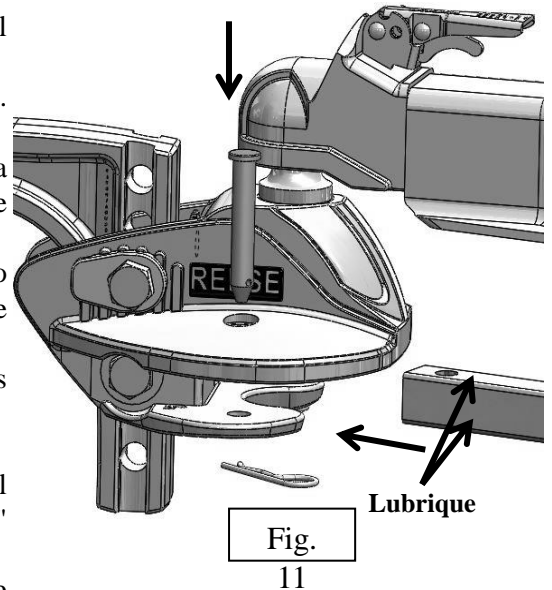


ALTURA DEL RECEPTÁCULO DE LA RUEDA DELANTERA

ANTES DE LA INSTALACIÓN: H1 = _____

INSTALACIÓN FINAL/BARRA DE RESORTE:

20. Utilice el gato de remolque para levantar el acoplador del remolque por encima de la esfera del enganche.
21. De reversa la vehículo remolcador de manera que la esfera del enganche quede directamente debajo del acoplador de remolque.
22. Baje el remolque e instale el remolque en la esfera de enganche. Bloquee el acoplador antes de proceder.
23. Lubrique las superficies de contacto de la barra de resorte a la esfera de montaje (aprox. Primero 7 pulgadas) con lubricante a base de petróleo (e.g. WD-40) antes de su uso inicial.
24. Inserte las barras de resorte (etiqueta/lado conico hacia arriba, lado plano hacia abajo) en el soporte de la esfera con el pasador de horquilla y clip de resorte (ver Fig. 11).
25. Rote las barras de resorte de manera que queden posicionadas ligeramente por fuera de los soportes ajustables.
26. Repita los pasos 23 y 24 para el otro lado.
27. Extienda el gato del remolque y eleve la parte delantera del remolque y la parte posterior del vehículo remolcador aprox. 4" por encima del nivel.
28. Use la manija de elevación para colocar las barras de resorte sobre las bases de fricción (Ver Fig. 12).
29. Retire la manija de elevación y gire la cubierta de la barra de resorte hacia abajo sobre la barra de resorte. Asegurela insertando el clip de resorte dentro del orificio de la cubierta de la barra.
30. Verifique que las barras de resorte no hagan contacto con el remolque. Debe estar en al menos 4" de espacio entre las barras y el remolque.
31. ¡Importante! Retraer el gato, luego aflojar los pernos de la barra de fijación y ajustar. Las almohadillas de fricción angulares quedan planas contra las barras de resorte. Una vez al ras, apretar a torque todas las tuercas y pernos de 5/8" a 130 libras-pie.



DESPUÉS DE INSTALAR EL ENGANCHE:

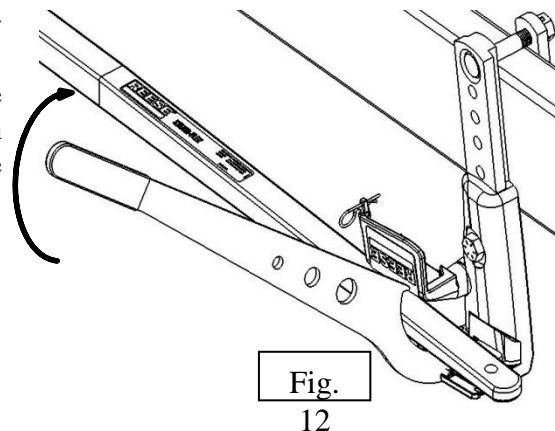
Retire el gato del remolque y mida la altura del receptáculo de la rueda delantera con el sistema de distribución de peso instalado. Registre esta medida.

Note: - H2 nunca debe ser menor que H1

- H2 debe estar dentro de 1/4 "de H1

ALTURA DEL RECEPTÁCULO DE LA RUEDA DELANTERA

DESPUÉS DE LA INSTALACIÓN: H2 = _____



CONSULTE LA PÁGINA 19 DE AJUSTE EN BASE A H1 y H2 MEDIDAS.

DESENGANCHE:

1. Coloque el vehículo en estacionamiento y aplique el freno de emergencia.
2. Bloquee las llantas del remolque para asegurarse de que el remolque no se ruede una vez que se libere del vehículo remolcador.
3. Use el gato para levantar la nariz del remolque ligeramente por encima del nivel.
4. Use la manija de elevación para eliminar las barras de resorte de las almohadillas de fricción y rote las barras hacia fuera de manera que no interfieran con ninguna parte del vehículo, remolque o sistema de WD.
5. Baje el remolque para desenganchar el enganche del remolque.
6. Desenganche el acoplador del remolque y utilice el gato del remolque para levantar el remolque a suficiente altura para que la parte superior de la esfera quede por debajo de la parte inferior del acoplador del remolque.
7. Retire el pasador de horquilla y los clips de resorte del soporte de la esfera y quite las barras de resorte.
8. Conduzca el vehículo de remolque hacia el frente unos 4 pies.
9. Retire la barra de enganche y el soporte de la esfera del receptor del vehículo remolcador.

GUÍA DE AJUSTE

Problema	Causa posible	Recomendación
Oscilación del remolque	Se excedió la capacidad de remolque	<u>NO REMOLCAR.</u> No se debe exceder en ningún momento la especificación del fabricante del vehículo remolcador, enganche o sistemas de remolque.
	Peso de la horquilla demasiado liviana	El cargar a la horquilla por debajo del 10% de la especificación del remolque puede ser la causa de que el remolque se balance a velocidad. No exceda la recomendación del fabricante del remolque y no sobrecargue el eje trasero del vehículo de remolque, redistribuya el peso en el remolque hacia el frente para incrementar el peso de la horquilla a 10-15% de la calificación bruta del remolque.
	Distribución de peso insuficiente	Ajuste el soporte del bastidor tipo A un orificio hacia arriba o ajuste el ángulo de la cabeza hacia abajo.
	El enganche es de tamaño inferior o se desvía antes de que las barras de resorte se puedan cargar en su totalidad.	Verifique que la calificación del enganche supere la calificación del remolque y la calificación de peso de la horquilla. Si el enganche todavía se inclina ante de cargar las barras de resorte, <u>NO LO USE</u>
	Presión de los neumáticos incorrecta	Cerciórese de que todos los neumáticos estén inflados según las recomendaciones del fabricante de neumáticos.
El soporte del bastidor tipo A se mueve en el bastidor	Barra de sujeción apretada muy poco o en exceso.	Revise las instrucciones de sujeción adecuada en la página 5
Horquilla del remolque es demasiado baja (<1.5") o H2 mayor que H1+1/4"	La altura inicial de la esfera de enganche no se configuró correctamente	Vuelva a ajustar la altura de la cabeza un orificio hacia arriba
	Distribución de peso insuficiente	Ajuste el soporte del bastidor tipo A un orificio hacia arriba o ajuste el ángulo de la cabeza hacia abajo.
	El enganche es de tamaño inferior o se dobla	Reemplace el enganche con el sistema Reese WD apropiado.
Horquilla del remolque es demasiado alta (> 1.5") o H2 menor que H1	La altura inicial de la esfera de enganche no se configuró correctamente	Vuelva a ajustar la altura de la cabeza un orificio hacia abajo
	Distribución de peso exceso	Ajuste el soporte del bastidor tipo A un orificio hacia abajo o ajuste el ángulo de la cabeza hacia arriba.
Ruido considerable*	Sistema mal conectado	Inspeccione todos los componentes del sistema para asegurar que todas las partes están ajustadas adecuadamente. Ajustar o sustituir componentes flojos o dañados cuando sea necesario.
	No de uso prolongado	Sistema requiere pasar por la fase de rodaje de nuevo. Retire las barras de resorte y aplicar lubricante a base de petróleo (por ejemplo WD-40) en la parte superior e inferior de las barras de resorte en donde tengan contacto con la esfera de enganche (Aproximadamente a 7 pulgadas).

* Debido a algunos aspectos de fricción del sistema Steady-Flex, algo de ruido durante el uso es normal, especialmente en maniobras de giros lentos. Para la fase de rodaje, es común que el ruido sea más grave, pero por lo general desaparecen después de que el sistema se utiliza un par de veces.

NOTAS:

Número de parte comprado:

Lugar de compra:

Fecha de compra:

ANTES DE CADA VIAJE:

- Revise que todos los tornillos estén correctamente apretados y que el pasador y clip del enganche esté firmes y en su lugar
- Verifique que las conexiones eléctricas están trabajando y en orden, y que las cadenas de seguridad estén conectadas
- Proteja este sistema protegido de los elementos
- Retoque con pintura si fuera necesario para evitar el óxido.
 - **No pinte sobre la etiqueta de advertencia**
- Mantenga estas áreas libres de residuos
 - Esfera de enganche (Lubricar en cada uso)
 - Interior del acoplador del remolque
 - Las superficies de contacto de las barras de resorte en el soporte de la esfera
 - Superficies de contacto de las barras de resorte en las bases de fricción
- Lubrique estas áreas contacto de las barras de resorte con el soporte de la esfera de enganche cuando sea necesario
 - El ruido sea grave al usarlo
 - Cuando deje de usar este sistema por mucho tiempo

Para soporte en la instalación y operación contacte al Servicio Técnico de CPP: 800-632-3290.

MANTENIMIENTO:

GARANTÍA LIMITADA DE POR VIDA

1. Garantía limitada de por vida ("garantía"). Cequent Performance Products, Inc. ("nosotros" o "nuestros") garantiza al comprador original solamente ("Usted" o "ustedes") que el producto estará libre de defectos en materiales y mano de obra o desgaste normal con sus excepciones. La garantía es válida solamente si: A) los productos nos son retornados para inspección y prueba. B) Que nuestra inspección da a conocer a nuestra entera satisfacción que el producto tiene alguna presunta inconformidad de material y que no ha sido causado por el mal uso, negligencia, desgaste o desgarre, instalación inapropiada, almacenado inadecuado, reparación incorrecta, alteración, o accidente y C) Los productos fueron instalados, mantenidos y usados de acuerdo con nuestras instrucciones. LA GARANTIA ESTA HECHA DE ACUERDO A TODAS LAS OTRAS GARANTIAS EXPRESADAS O IMPLICITAS (QUE NO SEA LA GARANTIA DE TITULO DISPUESTO POR EL INFORME DEL CODIGO COMERCIAL EFECTIVO EN MICHIGAN), SE INCLUYENDO SIN LIMITACIONES, CUALQUIER OTRA GARANTIA DE COMERCIALIZACION O APTITUD PARA UN PROPOSITO PARTICULAR, EXPRESAMENTE SE RENUNCIA A DICHA GARANTIA.

2. Obligaciones del Comprador. Para hacer un reclamo de garantía, póngase en contacto con nosotros, a nuestra dirección principal de 47.912 driza Dr. Suite 100, Plymouth, MI 48170, 1-888-521-0510, identificar el producto mediante el número de modelo, y siga las instrucciones de reclamaciones que serán proporcionados. Cualquier producto devuelto que se reemplaza por nosotros se convierte en nuestra propiedad. Usted será responsable de los gastos de envío. Guarde el comprobante de compra para verificar la fecha de compra y que Usted es el comprador original. El producto y el recibo de compra deben ser proporcionados a nosotros con el fin de procesar su solicitud de garantía.

3. Solución Límites. Sustitución del producto es su único remedio bajo esta garantía. No nos hacemos responsables de los servicios de mano de obra o los gastos incurridos en la eliminación o sustitución de un producto o los daños y perjuicios incidentales o emergentes de cualquier tipo.

4. Asunción de riesgo. Usted reconoce y acepta que cualquier uso del producto para cualquier propósito que no sea el uso (s) especificado se indica en las instrucciones del producto es bajo su propio riesgo.

5. Legislación aplicable. Esta garantía le otorga derechos legales específicos, y usted también puede tener otros derechos que varían de estado a estado. Esta garantía se rige por las leyes del Estado de Michigan, sin tener en cuenta las normas relativas a los conflictos de leyes. Los tribunales estatales ubicados en el condado de Oakland, Michigan tendrán jurisdicción exclusiva para cualquier disputa relacionada con esta garantía.

Para obtener instrucciones detalladas de instalación, consejos de remolque sin riesgos, y el ajuste del sistema, visite

<http://www.cequentgroup.com/qr-product.aspx>

MANUEL DU PROPRIÉTAIRE

REESE Steadi-Flex

Systèmes de répartition de charge

WWW.REESEPRODUCTS.COM

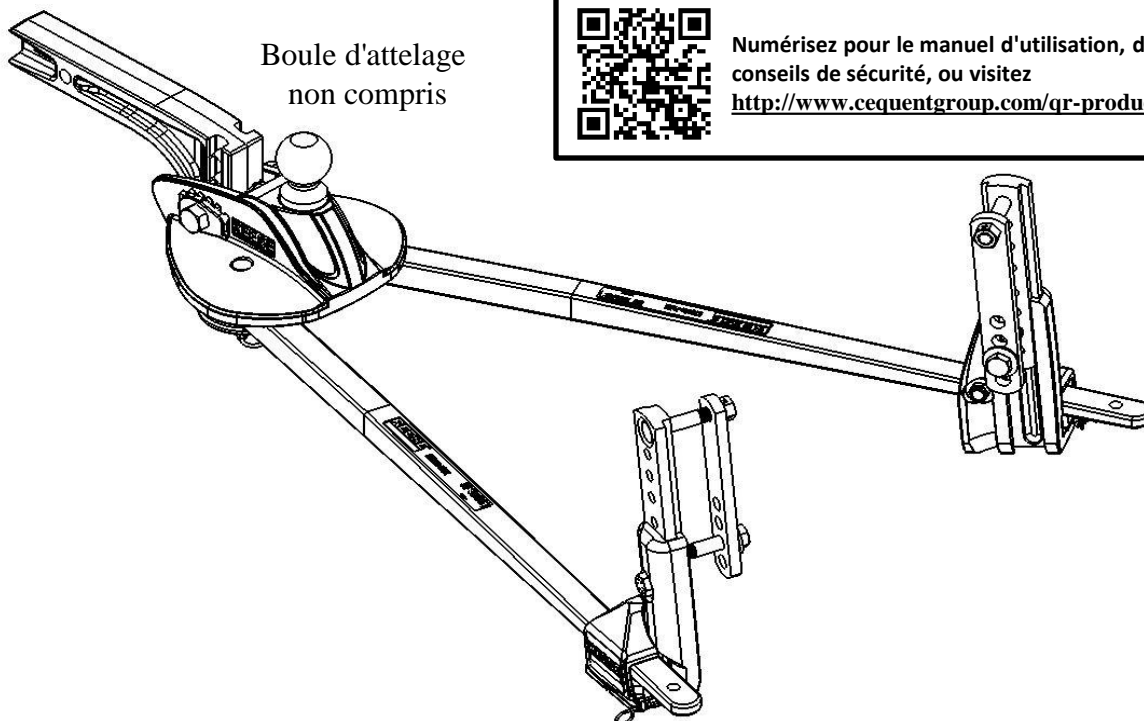
NUMÉROS DE PIÈCES

66559 : 1000 lb

66560 : 1200 lb

66561 : 1400 lb

PLYMOUTH, MI



Numérisez pour le manuel d'utilisation, des conseils de sécurité, ou visitez <http://www.cequentgroup.com/qr-product.aspx>

Table of Contents

Vue éclatée.....	22
Consignes de sécurité.....	23
Renseignements sur l'attelage/Préparation de l'installation	24
Installation.....	25-28
- Installation du support de cadre	25-26
- Installation de la monture de boule	27
- Installation de la barre stabilisatrice/finale.....	28
Désaccouplement/Réglage du système.....	29
Notes/Entretien du système/Assistance technique/Garantie	30

OUTILS REQUIS:

- Clé dynamométrique d'une capacité de 300 lb-pi
- Lubrifiant à base de pétrole (e.g. WD-40)
- Douille et clé de 15/16" po
- Douille et clé 1-1/8" po
- Ruban à mesurer
- Crayon
- Tournevis à tête plate
- Marteau

OUTILS RECOMMANDÉS

- Clé dynamométrique d'une capacité de 450 lb-pi
- Douille 1-7/8" po
- Gants de Sécurité



AVERTISSEMENT

Ne jamais excéder les spécifications de charge du fabricant relatives au remorquage, à l'attelage et à la boule d'attelage.

Pour de l'assistance technique concernant l'installation, composer le 800-632-3290.

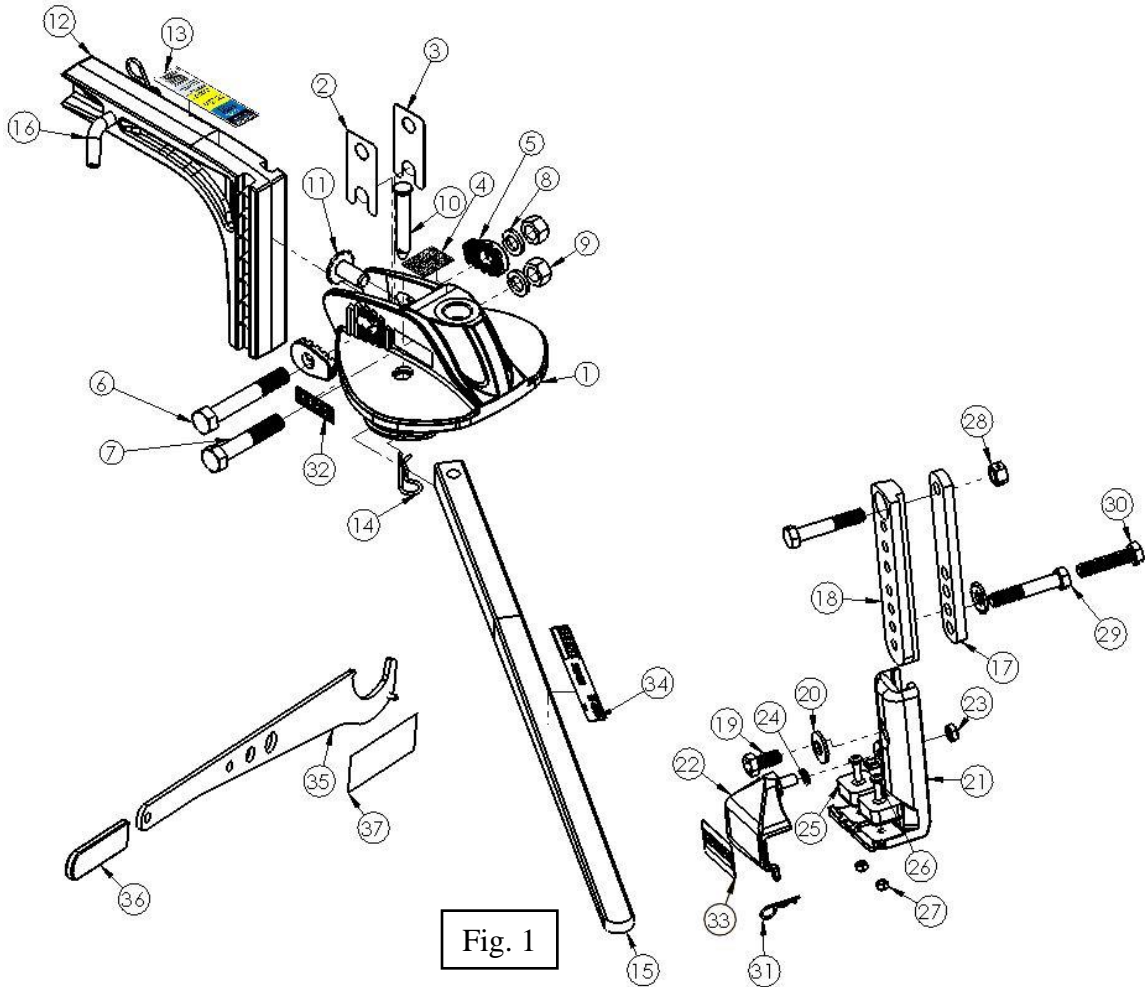


Fig. 1

N° ART.	DESCRIPTION	QTÉ
1	Monture de boule	1
2	Cale pour monture de boule, cal. 19	1
3	Cale pour monture de boule, cal. 26	1
4	Étiquette de monture de boule	1
5	Rondelle dentée	2
6	Boulon hexagonal 3/4-10x5	1
7	Boulon hexagonal 3/4-10x4	1
8	Rondelle frein 3/4	2
9	Écrou hexagonal 3/4-10 GR5	2
10	Cheville d'assemblage	2
11	Boulon de réglage de tête	1
12	Barre d'attelage	1
13	Étiquette de barre d'attelage	1
14	Agrafe-ressort	3
15	Barre stabilisatrice 1000 lb Barre stabilisatrice 1200 lb Barre stabilisatrice 1400 lb	2
16	Cheville 5/8"	1
17	Barre de serrage	2
18	Barre en T	2
19	Boulon hexagonal 5/8-11x1.25	2

N° ART.	DESCRIPTION	QTÉ
20	Rondelle conique 5/8"	4
21	Support réglable gauche/droit	1/1
22	Couvercle de barre stabilisatrice gauche/droit	1/1
23	Écrou Nylock mince 1/2-13	2
24	Rondelle nylon 1/2	2
25	Plaque de friction	4
26	Vis à tête tronconique 5/16-18x1	4
27	Écrou Nylock 5/16-18	4
28	Contre-écrou 5/8-11	2
29	Boulon hexagonal 5/8-11x3.5 GR5	4
30	Boulon hexagonal 5/8-11x2.75 GR5	2
31	Petite agrafe-ressort	2
32	Étiquette logo Reese 2	2
33	Étiquette logo Reese 1	2
34	Étiquette Steadi-Flex 1000 lb Étiquette Steadi-Flex 1200 lb Étiquette Steadi-Flex 1400 lb	2
35	Levier	1
36	Prise de levier	1
37	Étiquette de levier	1

CONSIGNES GÉNÉRALES DE REMORQUAGE SÉCURITÉ

NE PAS REMORQUER PLUS D'UNE REMORQUE À LA FOIS : Ne pas tenter de remorquer une remorque, quelle qu'elle soit, derrière une autre. Le remorquage simultané de plusieurs remorques peut causer une instabilité importante, une perte de contrôle et/ou une défaillance structurale, et mener à un accident provoquant des blessures sévères et des dommages à la propriété. Le remorquage de plusieurs remorques est prohibé par la loi en plusieurs endroits.

CONSEILS DE REMORQUAGE :

CONDUITE : Il faut insister davantage sur les bonnes pratiques de conduite lors du remorquage. Le poids supplémentaire affecte l'accélération et le freinage, et il faut plus de temps pour dépasser, s'arrêter et changer de voie. Signaler bien à l'avance une manœuvre pour faire connaître vos intentions aux autres conducteurs. Les bosses accentuées et les routes en mauvais état peuvent endommager le véhicule, l'attelage et la remorque, il vaut mieux y circuler à basse vitesse constante. **SI UNE PARTIE DU SYSTÈME DE REMORQUAGE HEURTE LA CHAUSSÉE OU SI L'ON SOUPÇONNE UN DOMMAGE D'UNE AUTRE FAÇON, IL FAUT SE TASSER ET PROCÉDER À UNE INSPECTION. CORRIGEZ TOUT PROBLÈME AVANT DE POURSUIVRE LE TRAJET.**

VÉRIFIER L'ÉQUIPEMENT : Inspecter régulièrement la condition de l'ensemble de l'équipement de remorquage et garder celui-ci en parfaite condition.

CHARGEMENT DE LA REMORQUE : Il est important de bien charger la remorque. Placer les objets lourds près du plancher et de l'essieu de la remorque. La charge doit être équilibrée d'un côté à l'autre et solidement arrimée pour prévenir les déplacements. Le poids au timon doit représenter 10 à 15 pour cent du poids brut de la plupart des remorques. Un pourcentage de poids trop faible au timon peut déstabiliser la remorque. Un poids excessif au timon peut aussi causer une instabilité et endommager l'attelage et/ou le véhicule.

DISPOSITIFS DE STABILISATION : Les dispositifs anti-roulis peuvent réduire les effets des manœuvres brusques, des coups de vent et des secousses causées par d'autres véhicules. Nous les recommandons pour les remorques qui présentent de grandes surfaces comme dans le cas des caravanes, par exemple.

GONFLAGE DES PNEUS : Sauf indication contraire par le fabricant du véhicule ou de la remorque, les pneus doivent être gonflés à la pression maximale recommandée.

Recommandations des fabricants de la remorque et du véhicule de remorquage : Consulter les manuels du propriétaire du véhicule et de la remorque pour connaître les recommandations, les capacités de charge et les spécifications.

PASSAGER(S) DANS LA REMORQUE : AUCUN passager ne doit être toléré dans une remorque en déplacement.

FEUX DE REMORQUE, SIGNAUX DE DIRECTION ET FREINS ÉLECTRIQUES : Veiller à toujours brancher et vérifier le fonctionnement des feux de signalisation et de direction, des freins électriques et de l'interrupteur de rupture d'attelage (le cas échéant), même dans le cas de courts trajets.

ENLEVER L'ATTELAGE S'IL NE SERT PAS : Retirer l'attelage du récepteur du véhicule lorsqu'il ne sert pas afin de prévenir la contamination des réceptacles de tête, réduire le risque de heurter l'attelage contre des rampes ou d'autres objets, et minimiser les dommages dans l'éventualité d'une collision par l'arrière.

INFORMATIONS GÉNÉRALES POIDS DE RÉPARTITION DE CHARGE

AVERTISSEMENTS : LA HAUTEUR DE LA BOULE CHARGÉE NE DOIT JAMAIS ÊTRE SUPÉRIEURE À LA HAUTEUR DE LA BOULE AVEC REMORQUE DÉTACHÉE. Une surcharge sur les roues avant et une perte de traction aux roues arrière peut en résulter, menant à un contrôle instable, à un freinage moins efficace et une tendance à la mise en portefeuille lors d'un virage et d'un freinage simultanés. **SI LA HAUTEUR DE LA BOULE CHARGÉE EST SUPÉRIEURE À SA HAUTEUR NON CHARGÉE,** régler encore la tête puis mesurer de nouveau jusqu'à obtenir la hauteur voulue.

CHANGEMENT DE VÉHICULE ET / OU REMORQUE: Déplacement d'un système de répartition de charge d'un véhicule / remorque à un autre nécessite un réajustement pour tenir nouveau véhicule / remorque correctement avant de l'utiliser.

DEMONTAGE: Ne jamais démonter / retirer une partie quelconque de la répartition du charge du système tout en attelage est sous charge.

RENSEIGNEMENTS SUR L'ATTELAGE :

Ce système est conçu pour distribuer une partie du poids au timon de la remorque vers l'essieu avant du véhicule de remorquage et les essieux de la remorque afin de procurer une meilleure résistance au roulis. Sans un système de distribution de ce poids, l'accouplement de la remorque au véhicule de remorquage peut s'avérer non sécuritaire puisqu'une surcharge peut s'exercer sur les essieux arrière du véhicule, augmentant ainsi la probabilité du roulis. Ce poids est distribué en chargeant les barres stabilisatrices et utilisant l'effet de levier pour mettre au niveau le véhicule et la remorque. Cette même charge utilisée pour distribuer le poids au timon de remorque cause de la friction entre les plaques de friction et les barres stabilisatrices. Cette friction permet au système d'offrir un contrôle supérieur du roulis. Ce système est conçu pour s'adapter à tous les cadres de remorque de 4 à 7 po de hauteur (10,2 à 17,8 cm) avec **coupleurs montés dans le bas**. Ce système s'adapte aussi à tous les cadres de remorque de 4 po de hauteur (10,2 cm) avec **coupleurs montés dans le haut**. Pour les cadres de remorque de 5 à 7 po de hauteur, avec coupleurs **montés dans le haut**, reportez-vous au Bulletin technique TB17-01 pour des renseignements détaillés sur l'adaptation du coupleur.

PRÉPARATION DE L'INSTALLATION :

Outils: Regrouper tous les outils énumérés sur la page de couverture et les disposer dans la zone d'installation.

Remorque :

Pour les meilleurs résultats, installer ce système avec le véhicule et la remorque sous charge et sur un terrain plat. Sinon, le système sera incorrectement chargé, ce qui risque de nuire au rendement.

- Bloquer les pneus et détacher la remorque pour la rendre stable durant l'installation.
- Vérifier la pression des pneus selon la recommandation du manuel de la remorque.
- Abaisser le vérin de remorque pour soulever la remorque afin qu'elle repose de niveau.

Nota : On peut utiliser un niveau pour confirmer l'horizontalité ou vérifier que les mesures sont égales à l'avant et l'arrière de la remorque.

- Utiliser un crayon pour marquer le centre du coupleur de la remorque. Cette marque permettra de positionner les supports de cadre en « A » au cours de l'installation.

Véhicule de remorquage :

- Se reporter au manuel du propriétaire pour vérifier que le véhicule et l'attelage ont la capacité de tracter la remorque.
- Inspecter le véhicule pour s'assurer qu'il est en état de remorquer.
- Se reporter au manuel du propriétaire pour les recommandations sur le remorquage.

Installation de la boule d'attelage :

- Choisissez une boule d'attelage dont la capacité de charge égale ou excède celle de l'ensemble de répartition de charge.

Nota : Les boules d'attelage dont la capacité de charge est supérieure à 1000 lb sont munies généralement d'une tige de 1 1/4 po; si une tige de 1 po est utilisée, un manchon est nécessaire pour être compatible avec cette monture de boule.

- Cette boule d'attelage doit être de la même taille que celle requise pour le coupleur installé sur la remorque.
- Installer la boule d'attelage et serrer au couple spécifié par le fabricant, habituellement environ 400 lb-pi. Un dispositif de verrouillage est requis, p.ex. un contre-écrou/un écrou Nylok.

Lubrification :

- Lubrifier la boule d'attelage avec de la graisse de qualité automobile pour prévenir l'usure excessive (voir Fig. 2).
- Nettoyer le surplus d'huile et la saleté à chaque fois que la remorque est détachée.
- Ne pas lubrifier les plaques de friction.

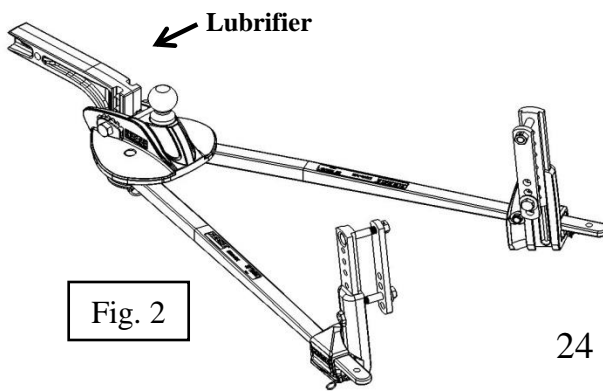


Fig. 2

INSTALLATION DU SUPPORT DE CADRE :

No ART.	Qté	Description
1	4	Boulon hexagonal 5/8-11 x 3-1/2 Gr5
2	2	Contre-écrou 5/8"-11
3	4	Rondelle conique 5/8"
4	2	Boulon hexagonal 5/8-11 x 1-1/4 Gr5
5	2	Boulon hexagonal (cadre 1,5 po large) 5/8"-11 x 2-3/4" GR5

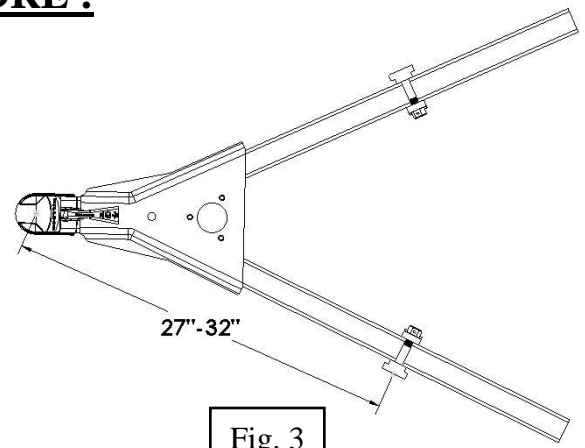


Fig. 3

1. Utiliser un ruban à mesurer pour localiser un point à 27 à 32 po le long du cadre en A à partir du centre du coupleur. Marquer ce point au crayon sur les deux côtés du cadre en A (voir Fig. 3).
2. Insérer un boulon 5/8 po de 3 1/2 po de long (1) à travers le grand trou de la **barre en T** et le trou simple de la **barre de serrage**.
3. Fixer à l'aide d'un contre-écrou 5/8 po (2) et serrer à la main.
4. Glisser la **barre en T** et la **barre de serrage** par-dessus le cadre où la marque de l'étape 1 est située. La **barre en T** doit se situer à l'extérieur du cadre en A, avec le grand trou orienté vers l'extérieur (voir Fig. 4). Laisser 1 po de dégagement sur les deux côtés de la **barre en T**.
5. Insérer un deuxième boulon 5/8 po *depuis l'intérieur* à travers une rondelle conique et la **barre de serrage** puis visser dans la **barre en T**. Utiliser les trous les plus hauts, non obstrués par le bas du cadre (voir Fig. 4).

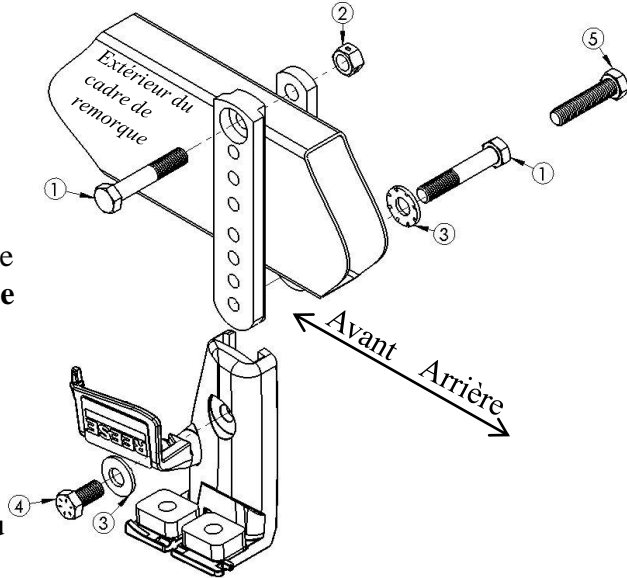


Fig. 4

Nota : Les cadres de 1 1/2 po de large nécessitent des boulons 5/8 d'une longueur de 2 3/4 po (5) pour fixer le bas de la barre en T et la barre de serrage.

6. Visser les écrous 5/8 po jusqu'au bout et vérifier que les supports sont correctement posés (voir Fig. 5).
7. Répéter les étapes 1 à 6 de l'autre côté du cadre en A.
8. Serrer toute la visserie 5/8 po jusqu'au bout (et non à la clé dynamométrique pour le moment).

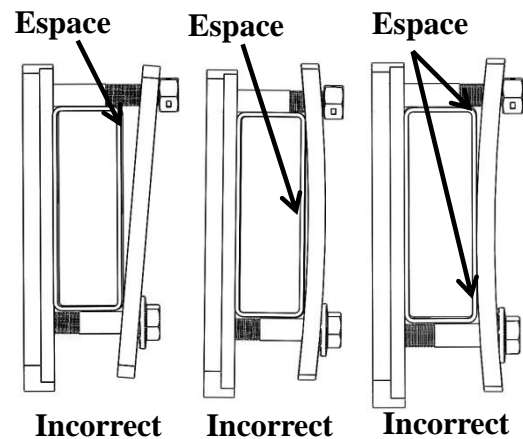
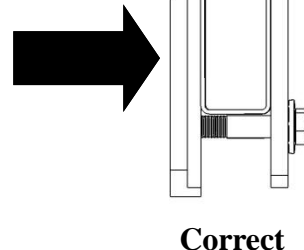


Fig. 5



Correct

9. Glisser le **support de cadre réglable** sur la **barre en T** à la hauteur correspondant au coupleur monté sur le haut/bas. Dans le cas de coupleurs montés dans le haut, un trou fileté devrait être visible au-dessus du **support de cadre réglable**. S'il s'agit de coupleurs montés dans le bas, le boulon de montage du **support de cadre réglable** doit être posé un trou de boulon sous le boulon de cadre du bas (voir Fig. 6).

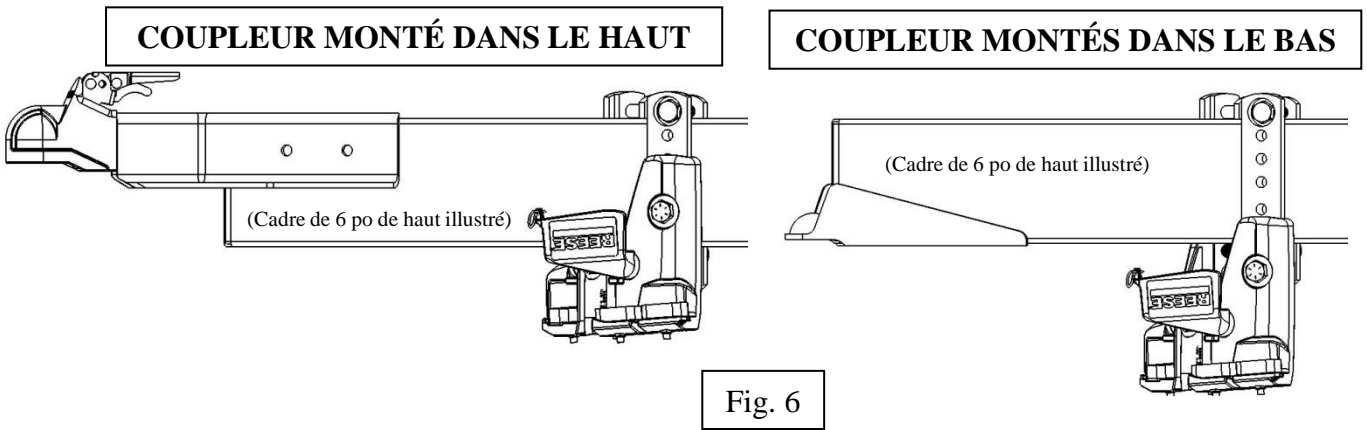


Fig. 6

10. Insérer le boulon 5/8 po à travers une rondelle conique, le **support de cadre réglable** et la **barre en T**. Serrer le boulon à la main. (Voir la Fig. 7)
11. Répéter les étapes 9 à 10 de l'autre côté du cadre en A.
12. Serrer toute la visserie 5/8 po jusqu'au bout (et non à la clé dynamométrique pour le moment).

Nota : Utiliser cet emplacement de montage vertical comme point de départ. Pour le réglage du système, voir la page 29.

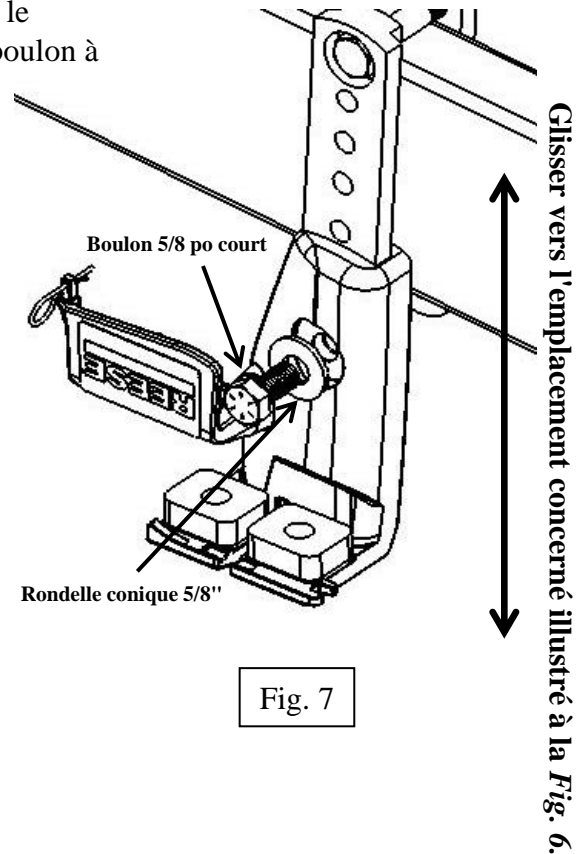


Fig. 7

Glisser vers l'emplacement concerné illustré à la Fig. 6.

INSTALLATION DE LA MONTURE À BOULE :

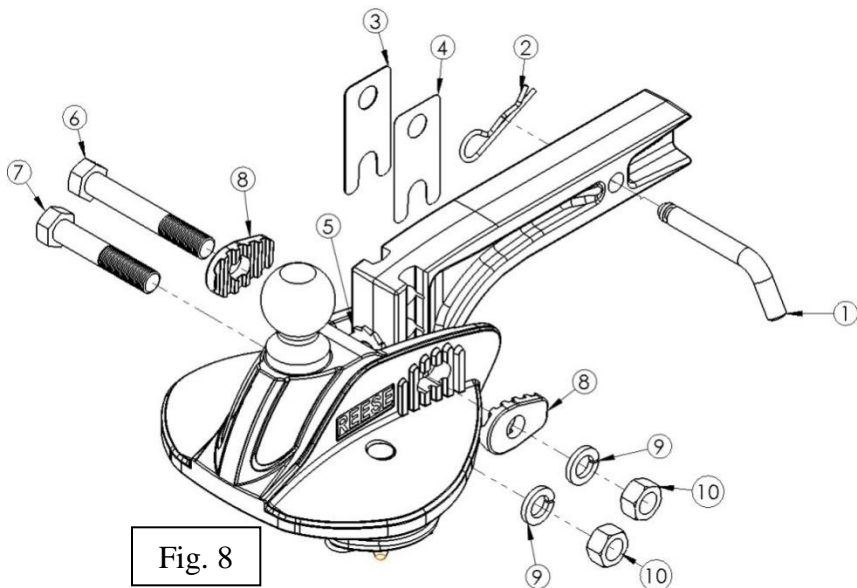


Fig. 8

No Art.	Qté	Description
1	1	Cheville 5/8"
2	1	Agrafe-ressort
3	1	Cale de monture de boule
4	1	Cale de monture de boule (mince)
5	1	Boulon de réglage
6	1	Boulon hexagonal 3/4"-10x5 GR8
7	1	Boulon hexagonal 3/4"-10x4 GR8
8	2	Rondelle dentée
9	2	Rondelle frein 3/4"
10	2	Écrou hexagonal 3/4"-10

- Remorque de niveau, mesurer depuis le dessus du coupleur jusqu'au sol.
- Installer la barre d'attelage dans le récepteur du véhicule et fixer à l'aide de la cheville et de l'agrafe-ressort.
- Insérer le boulon $\frac{3}{4}$ po court à travers le trou inférieur de la monture de boule et le trou de la barre d'attelage qui placera le dessus de la boule à $\frac{1}{2}$ à 1 po au-dessus du dessus du coupleur (voir Figs 8 et 8A).

- Assembler la monture de boule à l'aide du reste de la visserie.

LES DEUX BOULONS $\frac{3}{4}$ po SONT NÉCESSAIRES.

Nota : Une ou deux cales peuvent être nécessaires pour un ajustement serré entre la monture de boule et la barre d'attelage.

- Régler l'angle de la monture de boule en alignant la rondelle dentée sur les sillons de la monture, comme illustré à la Fig. 9. **Nota : Utiliser cet angle de monture de boule comme point de départ. Pour régler l'angle de la tête, placer la rondelle dentée dans les sillons qui donneront l'angle de tête voulu. Voir la page 9 concernant le guide de réglage.**

- Serrer les boulons $\frac{3}{4}$ po de la monture de boule au couple de 300 lb-pi.

- Fixer la position de la monture en vissant le boulon de réglage dans le sens contraire des aiguilles à l'aide d'un marteau et d'un tournevis à tête plate. Une fois vissé au bout, tourner d'un $\frac{1}{4}$ ou $\frac{1}{2}$ tour supplémentaire (voir Fig. 10).

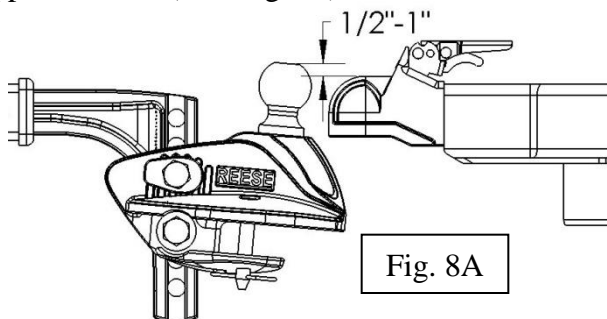


Fig. 8A

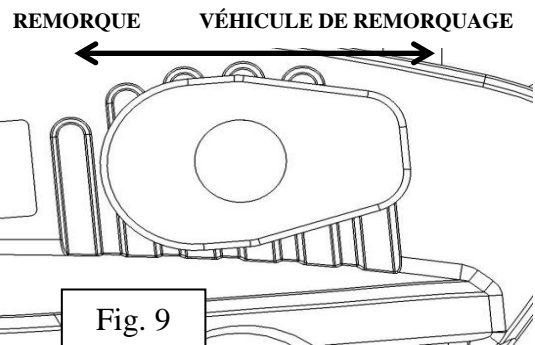


Fig. 9

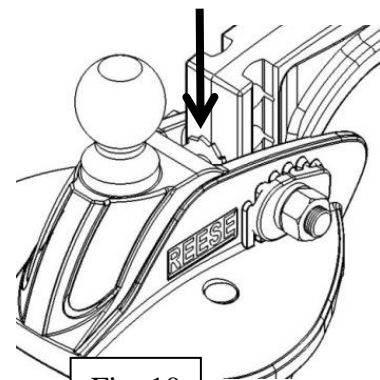
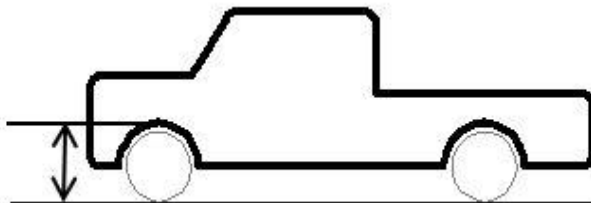


Fig. 10

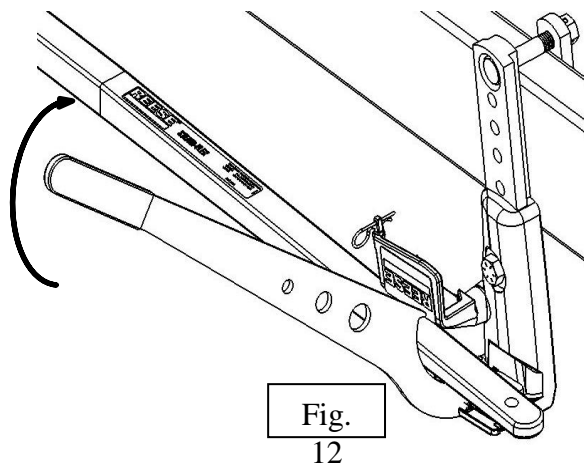
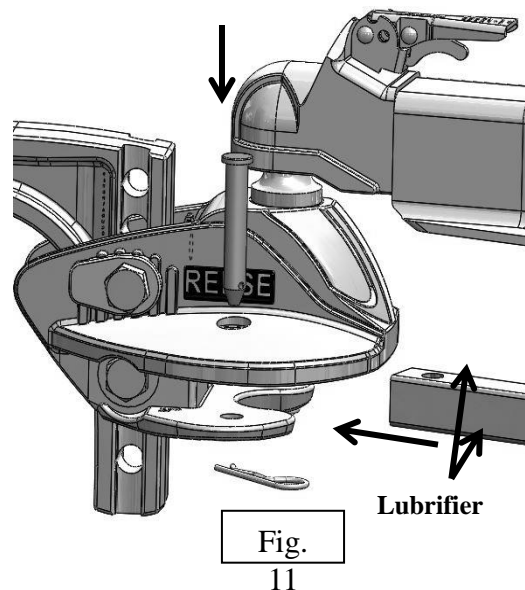
AVANT L'ACCOUPEMENT : Mesurer la hauteur du passage de roue avant du véhicule de remorquage avant d'attacher la remorque ou d'installer ce système de répartition de charge. Noter cette mesure.



HAUTEUR DU PASSAGE DE ROUE VANT AVANT L'INSTALLATION : H1= _____

INSTALLATION DE LA BARRE STABILISATRICE / INSTALLATION FINALE

20. Utiliser le vérin de remorque pour soulever le coupleur de remorque au-dessus de la boule d'attelage.
21. Reculer le véhicule de remorquage de façon que la boule d'attelage se trouve directement sous le coupleur de remorque.
22. Abaisser la remorque et attacher la remorque à la boule d'attelage. Verrouiller le coupleur avant de procéder.
23. Graisser les surfaces de barre stabilisatrice à contact avec la monture à boule (env. 7po premier) avec du pétrole lubrifiant (e.j. WD-40) avant la première utilisation.
24. Insérer les barres stabilisatrices (étiquette/côté en pente vers le haut, côté plat vers le bas) dans la monture de boule et fixer à l'aide de la cheville et de l'agrafe-ressort.
25. Balancer les barres stabilisatrices de façon qu'elles soient placées légèrement sur l'extérieur des supports réglables.
26. Répéter les étapes 23 à 25 de l'autre côté.
27. Déployer le vérin de remorque et soulever l'avant de la remorque et l'arrière du véhicule à environ 4 po au-dessus du niveau.
28. Utiliser le levier pour placer les barres stabilisatrices sur les plaques de friction (voir Fig. 12).
29. Enlever le levier et balancer le couvercle de la barre stabilisatrice par-dessus celle-ci. Fixer à l'aide de l'agrafe-ressort fournie.
30. **Important! Rentrer le vérin, desserrer les boulons de la barre de serrage puis ajuster/donner l'angle voulu aux plaques de friction afin d'appuyer le plat contre les barres stabilisatrices. Une fois à égalité, serrer tous les écrous et boulons 5/8 po au couple de 130 lb-pi.**



APRÈS L'ACCOUPEMENT : Rentrer le vérin de remorque et mesurer la hauteur du passage de roue avant une fois le système de répartition de charge installé. Noter cette mesure.

Nota: - H2 ne doit jamais être inférieure à H1
- H2 devrait être dans ¼ "de H1

HAUTEUR DU PASSAGE DE ROUE VANT APRÈS L'INSTALLATION : H2= _____

Voir page 19 du rajustement fondé sur mesures H1 et H2.

PROCÉDURE DE DÉSACCOUPLÉMENT :

1. Placer le véhicule en position de stationnement avec frein à main actionné.
2. Bloquer les pneus de la remorque pour s'assurer que celle-ci ne se déplace pas une fois détachée du véhicule.
3. Utiliser le vérin pour soulever le nez de la remorque légèrement au-dessus du niveau.
4. Utiliser le levier pour retirer les barres stabilisatrices des plaques de friction, puis balancer les barres vers l'extérieur pour ne pas gêner une partie du véhicule, de la remorque ou du système de répartition.
5. Abaissez la remorque pour déverrouiller le coupleur de la remorque.
6. Déverrouiller le coupleur de remorque et utiliser le vérin pour soulever la remorque suffisamment haut pour que le dessus de la boule se trouve sous le dessous du coupleur de remorque.
7. Enlever la cheville d'assemblage et les agrafes-ressorts de la monture de boule et enlever les barres stabilisatrices.
8. Avancer le véhicule sur environ 4 pieds.
9. Enlever la barre d'attelage et la monture de boule du récepteur du véhicule.

GUIDE DE RÉGLAGE

Problème	Cause possible	Recommandation
Balancement de remorque	Capacité de remorquage dépassée	<u>NE PAS REMORQUER</u> . En aucun cas, il ne faut excéder les spécifications de charge du fabricant du véhicule de remorquage, de l'attelage ou du système de répartition de charge.
	Poids au timon trop léger	Un poids au timon sous charge inférieur de 10 % au poids de la remorque chargée peut causer le balancement de la remorque à haute vitesse. Sans dépasser les recommandations des fabricants ou surcharger l'essieu arrière du véhicule de remorquage, redistribuer vers l'avant la charge dans la remorque afin d'augmenter le poids au timon de 10 à 15 % du poids brut de la remorque.
	Répartition de charge insuffisante	Remonter le support de cadre en A d'un trou ou abaisser l'angle de tête.
	Attelage sous-dimensionné ou dévié avant le plein chargement des barres stabilisatrices.	S'assurer que la capacité de l'attelage excède la capacité de la remorque et celle du poids au timon. Si l'attelage se courbe encore avant le chargement des barres stabilisatrices, <u>NE PAS UTILISER</u> .
	Pression incorrecte des pneus.	S'assurer que tous les pneus sont gonflés selon les recommandations du fabricant.
Le support de cadre en A se déplace sur le cadre.	La barre de serrage insuffisamment ou trop serrée.	Consulter les instructions de serrage appropriées à la page 5.
Timon de remorque trop bas (<1.5") <u>ou</u> H2 supérieure à 1 + 1/4 H "	La hauteur de boule initiale n'a pas été réglée correctement.	Remonter la hauteur de la tête d'un trou.
	Répartition de charge insuffisante	Remonter le support de cadre en A d'un trou ou abaisser l'angle de tête.
	L'attelage est sous-dimensionné ou courbé.	Remplacer l'attelage par le système de répartition de charge Reese approprié.
Timon de remorque trop haut (> 1.5") <u>ou</u> H2 inférieure à H1	La hauteur de boule initiale n'a pas été réglée correctement.	Abaisser la hauteur de la tête d'un trou.
	Trop de l'équilibrage de charge	Remonter le support de type cadre vers le bas à un trou ou d'ajuster l'angle de la tête vers le haut.
Beaucoup de bruit*	Branchement incorrect	Inspectez tous les composants et le matériel système pour assurer que toutes les pièces sont correctement fixés. De serrage ou remplacement de matériel / si nécessaire.
	Pas d'utilisation prolongée	Le système peut avoir à passer par la phase de filmer à nouveau. Graisser les surfaces de barre stabilisatrice à contact avec la monture à boule (env. 7po premier) avec du pétrole lubrifiant (e.j. WD-40).

* En raison des aspects de friction système Steady-Flex, un peu de bruit pendant l'utilisation est normal, surtout dans les manœuvres de braquage lent. Pour la phase de rodage, il est fréquent que le bruit est plus grave, mais disparaissent généralement après que le système est utilisé à quelques reprises

REMARQUES :

Achetez Numéro de pièce:

Lieu d'achat:

Date d'achat:

AVANT CHAQUE DÉPLACEMENT :

- Vérifier que tous les boulons sont adéquatement serrés et que la cheville d'attelage et son agrafe sont bien verrouillées en place.
- S'assurer que toutes les connexions électriques sont en état de fonctionner et que les chaînes de sécurité sont accrochées.
- Ranger ce système à l'abri des intempéries.
- Pour prévenir la rouille, retoucher la peinture si nécessaire
 - **Ne pas peindre sur les étiquettes d'avertissement.**
- Garder ces endroits propres.
 - Boule d'attelage (lubrifier à chaque utilisation)
 - Intérieur du coupleur de remorque
 - La barre stabilisatrice touche aux surfaces dans la monture de boule.
 - La barre stabilisatrice touche aux surfaces des plaques de friction.
- Graisser les surfaces de barre stabilisatrice à contact avec la monture à boule quand c'est nécessaire
 - Beaucoup de bruit
 - Pas d'utilisation prolongée

ENTRETIEN :

Pour de l'assistance concernant l'installation ou le fonctionnement, contacter le service technique CPP : 800-632-3290.

GARANTIE À VIE LIMITÉE

1. Garantie à vie limitée («Garantie»). Cequent Performance Products, Inc. («nous» ou «nos») garantit à l'acheteur original seulement («Vous») que le produit sera exempt de défauts matériels à la fois matériel et de fabrication, l'usure normale excepté; à condition que l'installation et l'utilisation du produit est conforme aux instructions du produit. Il n'y a pas d'autres garanties, expresses ou implicites, y compris la garantie de qualité marchande ou d'adéquation à un usage particulier. Cette garantie n'est pas transférable.
 2. Limitations de la garantie. Cette garantie ne couvre pas: (a) l'usure normale; (B) les dommages abus, de négligence, mauvaise utilisation ou à la suite d'un accident ou de toute autre manière; (C) les dommages causés par une mauvaise utilisation, une surcharge ou une mauvaise installation; (D) le mauvais entretien et de réparation; et (e) la modification du produit de quelque manière par quelqu'un d'autre que nous, à la seule exception des modifications apportées conformément aux instructions du produit et de façon professionnelle.
 3. Obligations de l'acheteur. Pour faire une réclamation de garantie, contacter nous, à notre adresse principale de 47912 drisse Dr. Suite 100, Plymouth, MI 48170, 1-888-521-0510, identifier le produit par numéro de modèle, et suivez les instructions sur les revendications qui seront fournis . Tout produit retourné qui est remplacé par nous devient notre propriété. Vous serez responsable des coûts d'expédition de retour. S'il vous plaît conserver votre facture d'achat à la date d'achat et vérifier que vous êtes l'acheteur d'origine. Le produit et la facture d'achat doivent être fournis à nous pour traiter votre demande de garantie.
 4. Solution limites. remplacement du produit est votre seul recours en vertu de cette garantie. Nous ne serons pas responsables pour services ou de main-d'oeuvre engagés pour l'enlèvement ou le remplacement d'un produit ou des dommages directs ou indirects de toute nature.
 5. Acceptation des risques. Vous reconnaissez et acceptez que toute utilisation du produit à des fins autres que l'usage spécifié (s) indiqué dans les instructions du produit est à vos propres risques.
- Droit applicable 6.. Cette garantie vous donne des droits juridiques spécifiques, et vous pouvez avoir d'autres droits qui varient d'État à État. Cette garantie est régie par les lois de l'État du Michigan, sans égard aux règles relatives aux conflits de lois. Les tribunaux de l'Etat situés dans le comté d'Oakland, Michigan ont compétence exclusive pour tout litige relatif à cette garantie.

Pour obtenir des instructions d'installation détaillées , des conseils remorque sans risques et l'adaptation du système , visite

<http://www.cequentgroup.com/qr-product.aspx>