

INSTALLATION INSTRUCTIONS

EQUIPMENT REQUIRED:

WIRING ACCESS LOCATION: SUV5

DRILL BITS:

HITCH REQUIRES 5/8" PIN AND CLIP IF STABILIZING PIN IS NOT INSTALLED.

WRENCHES: (TIGHTEN ALL FASTENERS WITH TORQUE WRENCH) 7/8, 3/4

VEHICLE

HITCH NO.

DODGE VAN

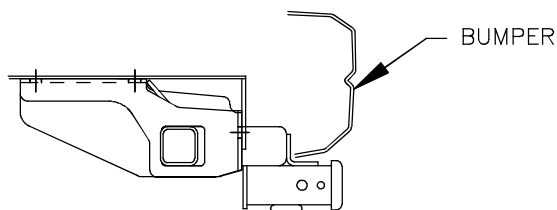
75090

44714

DOES NOT FIT VEHICLES EQUIPPED WITH FACTORY STEP BUMPER

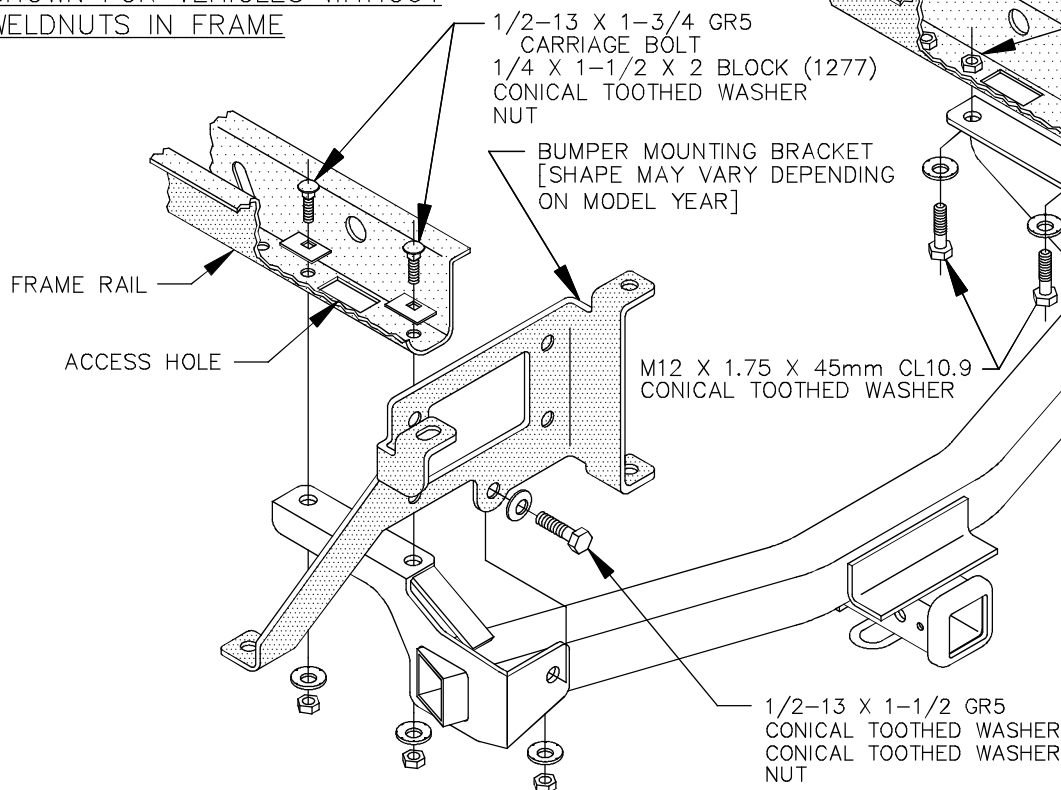
DO NOT EXCEED LOWER OF TOWING VEHICLE MFR'S RATINGS OR

HITCH TYPE ▼	MAX GROSS TRLR WT(LB)	MAX TONGUE WT(LB)
WEIGHT DISTRIBUTING	7500	750
WEIGHT CARRYING BALL MOUNT	5000	500
Accessory Rating:	D	

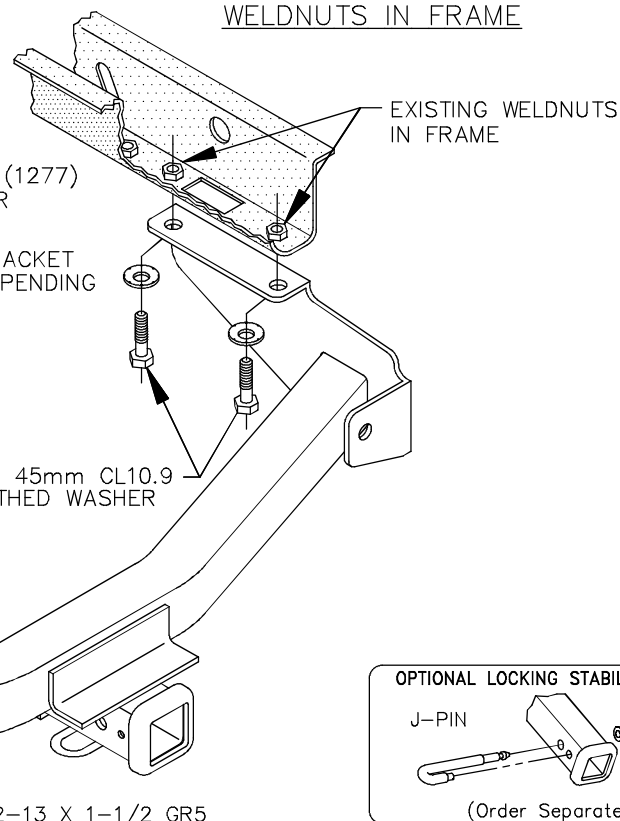


HITCH SHOWN IN PROPER POSITION

FASTENER COMBINATION SHOWN FOR VEHICLES WITHOUT WELDNUTS IN FRAME

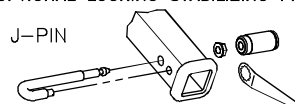


FASTENER COMBINATION SHOWN FOR VEHICLES WITH EXISTING WELDNUTS IN FRAME



OPTIONAL LOCKING STABILIZING PIN

J-PIN



(Order Separately)

CAUTION: WIRING HARNESS IS LOCATED INSIDE PASSENGER'S SIDE FRAME RAIL. DO NOT SANDWICH WIRES BETWEEN FRAME RAIL AND FASTENERS.

NOTE: IF VEHICLE HAS HEAT SHIELD, REMOVE ONE (1) SCREW FROM BOTTOM OF FRAME RAIL SO THAT MODELS WITH BRACKET WILL SIT FLAT ON BOTTOM OF FRAME RAIL. RETURN SCREW TO VEHICLE OWNER.

1. FISHWIRE FASTENERS THRU ACCESS HOLE AS SHOWN ABOVE. NOTE: VEHICLES WITH WELDNUTS IN FRAME, INSTALL M12 HEX BOLTS AND CONICAL TOOTHED WASHERS AS SHOWN ABOVE.
2. RAISE HITCH INTO POSITION AND INSTALL REMAINING FASTENERS AS SHOWN ABOVE.

TIGHTEN ALL 1/2 GR5 FASTENERS TO 75 LB.-FT.

TIGHTEN ALL M12 CL10.9 FASTENERS TO 92 LB.-FT.

THIS PRODUCT COMPLIES WITH SAFETY SPECIFICATIONS AND REQUIREMENTS FOR CONNECTING DEVICES AND TOWING SYSTEMS OF THE STATE OF NEW YORK AND V.E.S.C. REGULATION V-5.

APPROX WEIGHT (LB.)

FASTENER KIT

41

1130-862

NOTE: Check hitch frequently, making sure all fasteners and ball are properly tightened. If hitch is removed, plug all holes in trunk pan or other body panels to prevent entry of water and exhaust fumes. A hitch or ball which has been damaged should be removed and replaced. Observe safety precautions when working beneath a vehicle and wear eye protection. Follow car maker's specs for maximum trailer weight and tongue weight. Do not cut access or attachment holes with a torch.

TOWING PRODUCTS

Plymouth, Michigan

PRINTED IN MEXICO