

INSTALLATION INSTRUCTIONS

EQUIPMENT REQUIRED:

WIRING ACCESS LOCATION: SUV1, SUV2

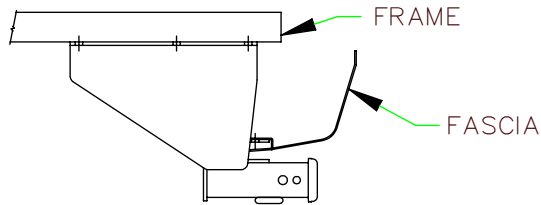
DRILL BITS:

HITCH REQUIRES 5/8" PIN AND CLIP IF STABILIZING PIN (7651) IS NOT INSTALLED.

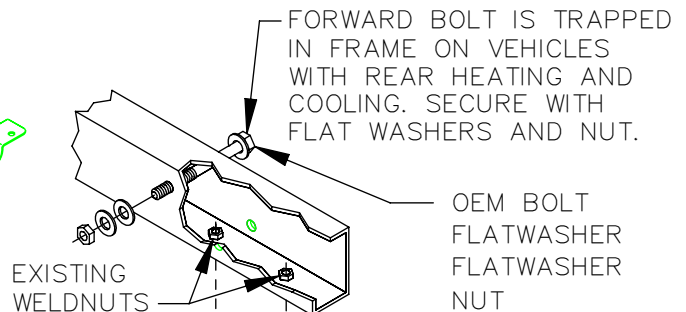
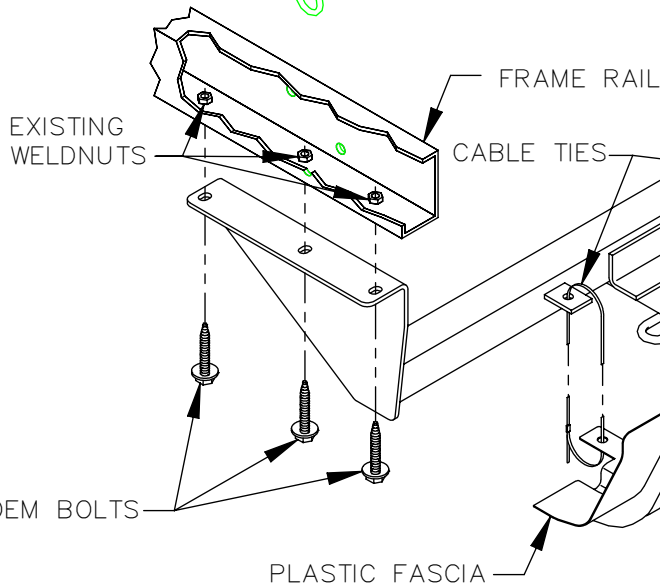
WRENCHES: (TIGHTEN ALL FASTENERS WITH TORQUE WRENCH) 10mm, 17mm, 19mm

DO NOT EXCEED LOWER OF
TOWING VEHICLE MFR'S RATINGS OR

HITCH TYPE	MAX GROSS TRLR WT(LB)	MAX TONGUE WT(LB)
WEIGHT DISTRIBUTING	5500	550
WEIGHT CARRYING BALL MOUNT	5000	500



HITCH SHOWN IN PROPER POSITION

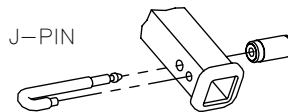
TIE DOWN BRACKET
ASSEMBLYEXISTING
WELDNUTSOEM BOLT
FLATWASHER
FLATWASHER
NUT

OEM BOLTS

OEM BOLTS

OPTIONAL LOCKING STABILIZING PIN

J-PIN



(Order Separately)

1. REMOVE THE PLASTIC FASCIA BY REMOVING THE TWO BOTTOM FASTENERS FROM THE TIE DOWN BRACKET ASSEMBLY.
2. REMOVE THE TIE DOWN BRACKET ASSEMBLY AND RETURN TO VEHICLE OWNER.
3. IF THE VEHICLE IS EQUIPPED WITH THE REAR HEATING AND COOLING UNIT, SECURE THE FORWARD PASSENGER SIDE BOLT WITH THE WASHERS AND NUT PROVIDED TO PREVENT RATTLES.
4. RAISE THE HITCH INTO POSITION AND ATTACH WITH THE OEM BOLTS REMOVED IN STEP 2.
5. REATTACH THE PLASTIC FASCIA WITH THE CABLE TIES PROVIDED.

TIGHTEN ALL M12 CL8.8 FASTENERS TO 68 LB-FT.

THIS PRODUCT COMPLIES WITH SAFETY SPECIFICATIONS AND REQUIREMENTS FOR CONNECTING DEVICES AND TOWING SYSTEMS OF THE STATE OF NEW YORK AND V.E.S.C. REGULATION V-5.

APPROX WEIGHT (LB.)

38

FASTENER KIT

F75116

NOTE: Check hitch frequently, making sure all fasteners and ball are properly tightened. If hitch is removed, plug all holes in trunk pan or other body panels to prevent entry of water and exhaust fumes. A hitch or ball which has been damaged should be removed and replaced. Observe safety precautions when working beneath a vehicle and wear eye protection. Follow car maker's specs for maximum trailer weight and tongue weight. Do not cut access or attachment holes with a torch.


CEQUENT
TOWING PRODUCTS

Plymouth, Michigan

Printed in Mexico