

# INSTALLATION INSTRUCTIONS

EQUIPMENT REQUIRED:

WIRING ACCESS LOCATION: SUV 3, SUV 4

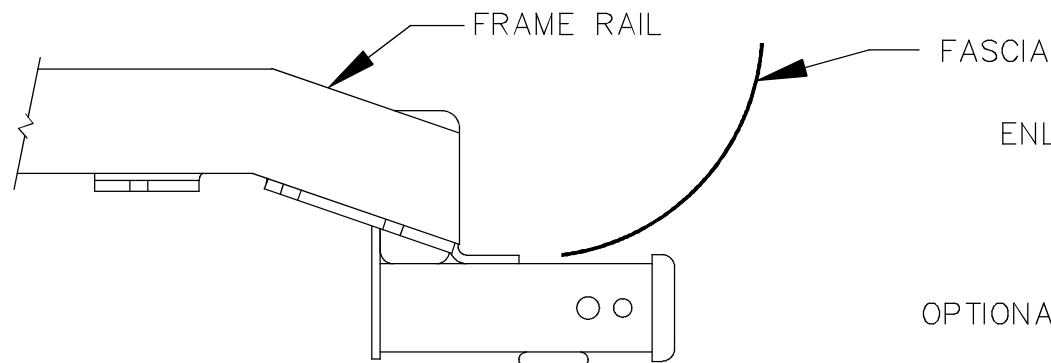
DRILL BITS: 1/2

HITCH REQUIRES 5/8" PIN AND CLIP IF STABILIZING PIN IS NOT INSTALLED.

WRENCHES: (TIGHTEN ALL FASTENERS WITH TORQUE WRENCH) 7/8, 14mm, 17mm

DO NOT EXCEED LOWER OF  
TOWING VEHICLE MFR'S RATINGS OR

HITCH TYPE ▼	MAX GROSS TRLR WT(LB)	MAX TONGUE WT(LB)
WEIGHT DISTRIBUTING	5000lb (2270kg)	500lb (227kg)
WEIGHT CARRYING BALL MOUNT	3500lb (1589kg)	350lb (159kg)



HITCH SHOWN IN PROPER POSITION

1/2-13 X 1.75 GR5

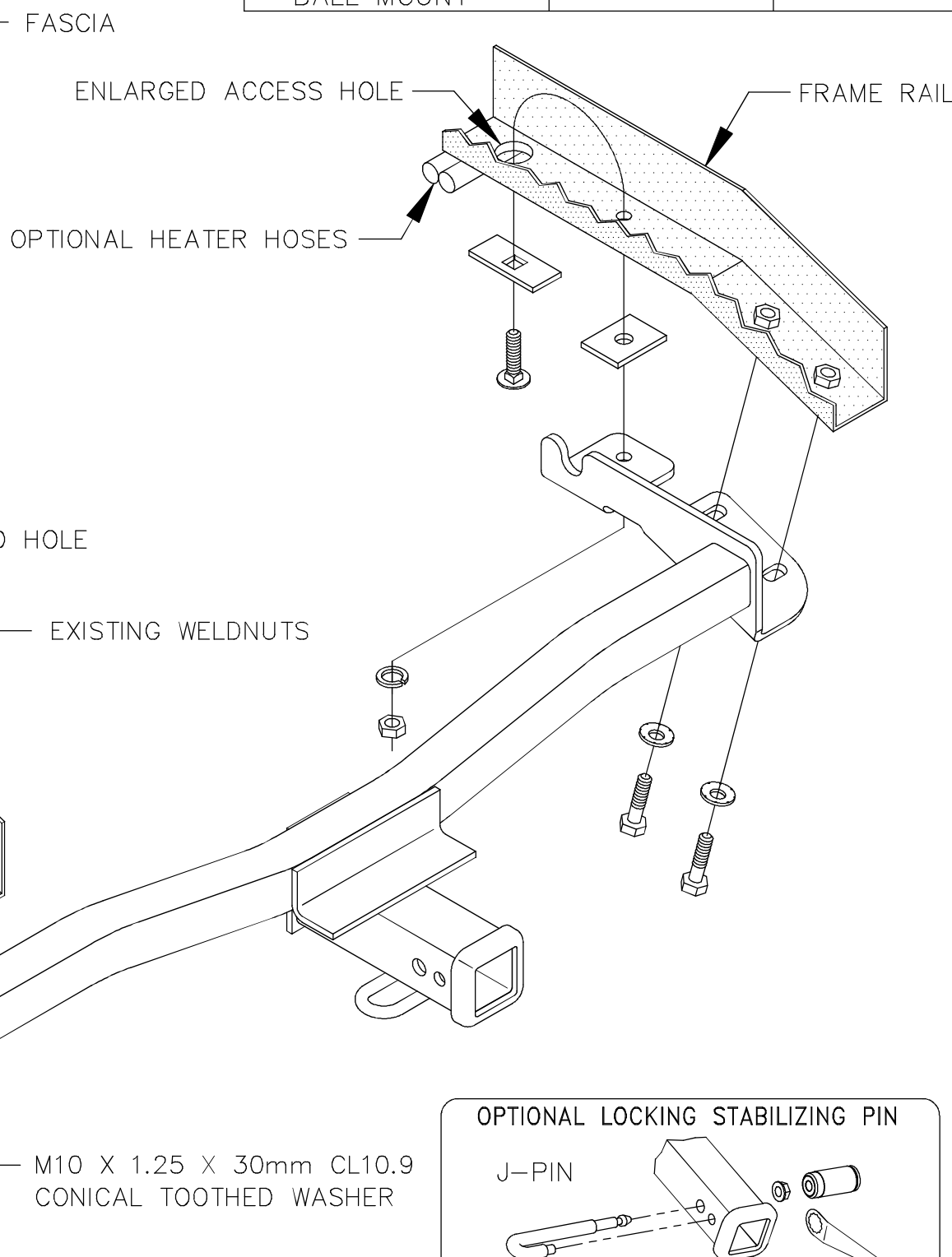
CARRIAGE BOLT

1/4 X 1 X 3 BLOCK (3022)

3/16 X 1-1/2 X 2 BLOCK (4833-001)

LOCK WASHER

NUT



1. REMOVE TOW HOOKS AND BOLTS FROM FRAME RAILS AND RETURN TO CUSTOMER.
2. RAISE HITCH INTO POSITION AND INSTALL FOUR (4) M10 FASTENERS INTO EXISTING WELDNUTS AS SHOWN ABOVE.
3. USING HITCH AS A TEMPLATE, DRILL FORWARD HOLE IN EACH FRAME RAIL.
4. REMOVE PLASTIC PLUGS IN FRAME RAILS AND ENLARGE ACCESS HOLES.  
NOTE: SOME VEHICLES HAVE OPTIONAL REAR HEATER, USE CAUTION WHEN ENLARGING PASSENGER SIDE ACCESS HOLE, TO PREVENT DAMAGE TO REAR HEATER HOSES.
5. FISHWIRE BLOCK AND CARRIAGE BOLT THROUGH EACH ENLARGED HOLE AND INSTALL FASTENERS AS SHOWN.

TIGHTEN ALL M10 FASTENERS TO 53 LB-FT.

TIGHTEN ALL 1/2 GR5 FASTENERS TO 75 LB-FT.

THIS PRODUCT COMPLIES WITH SAFETY SPECIFICATIONS AND REQUIREMENTS FOR CONNECTING DEVICES AND TOWING SYSTEMS OF THE STATE OF NEW YORK AND V.E.S.C. REGULATION V-5.

APPROX WEIGHT (LB.)	FASTENER KIT
33	F75120

NOTE: Check hitch frequently, making sure all fasteners and ball are properly tightened. If hitch is removed, plug all holes in trunk pan or other body panels to prevent entry of water and exhaust fumes. A hitch or ball which has been damaged should be removed and replaced. Observe safety precautions when working beneath a vehicle and wear eye protection. Follow car maker's specs for maximum trailer weight and tongue weight. Do not cut access or attachment holes with a torch.

**TOWING PRODUCTS**

Plymouth, Michigan

PRINTED IN MEXICO