

INSTALLATION INSTRUCTIONS

Product No.

CHEVROLET & GMC VANS

75121



PLYMOUTH, MI

SMALL PARTS
PACKAGE 01130-492

WARNING: DO NOT LUBRICATE THREADS, BOLT FAILURE MAY OCCUR DUE TO OVER TIGHTENING.

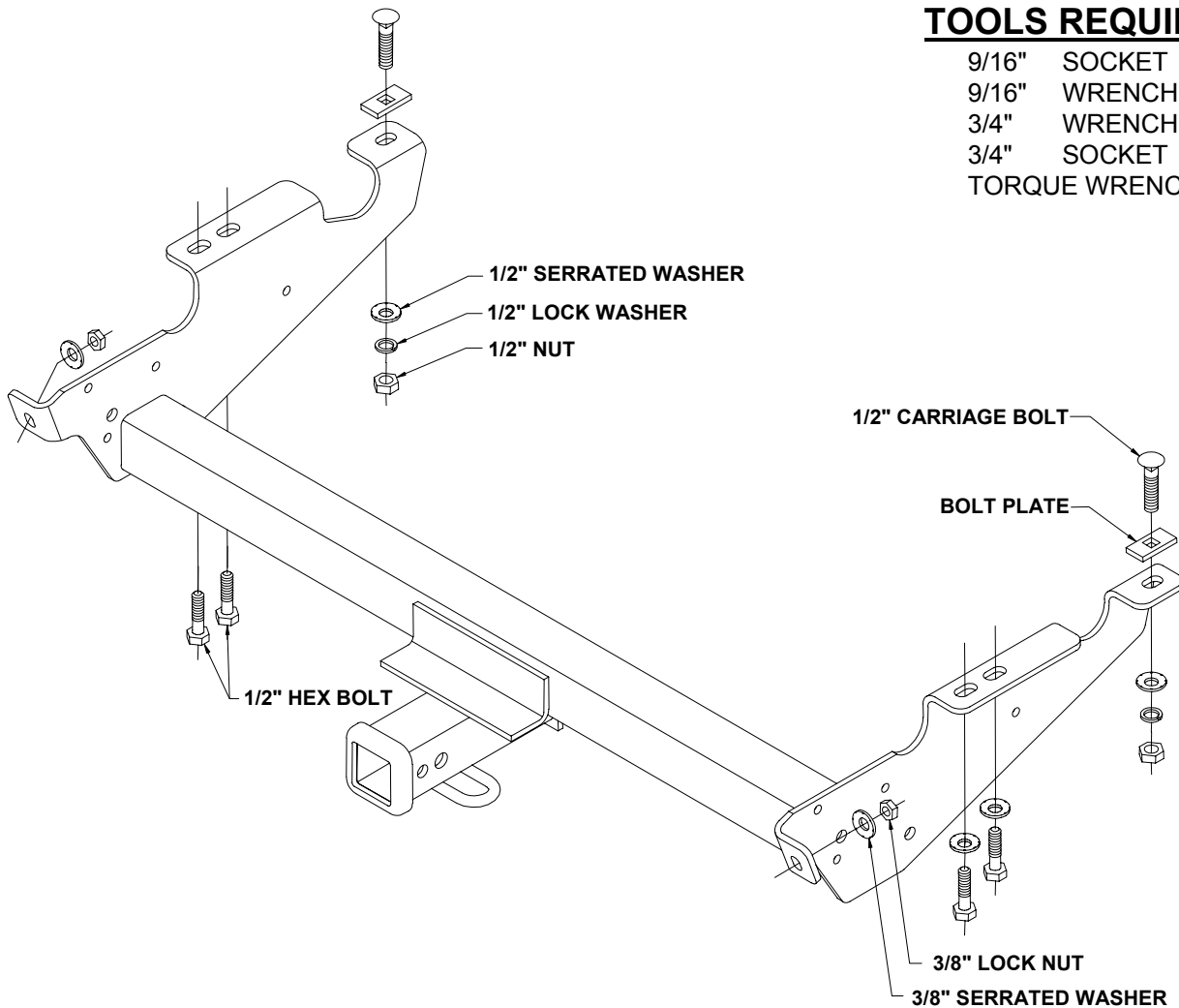
WARNING: DO NOT DRILL OR WELD TO THIS HITCH.

IMPORTANT NOTES

USE ONLY TOWING PRODUCTS SUPPLIED OR APPROVED BOLTS, LOCKNUTS, AND WASHERS TO INSTALL THIS HITCH

TOOLS REQUIRED

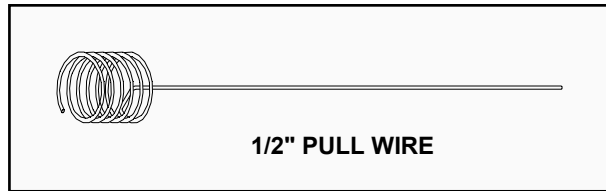
9/16" SOCKET
9/16" WRENCH
3/4" WRENCH
3/4" SOCKET
TORQUE WRENCH



1. Remove the two lower bumper support brackets, one per side; save the bolts and washers. Save the bracket and return to the owner.
2. Place the left and right side brackets against the frame bottom. Install four 1/2" bolts and washers removed in step one. Leave the bolts loose.

(OVER)

For Installation Assistance or Technical Help, Call 1-574-537-6339



4. Install two 3/8" bumper bolts (removed in step one), two 3/8" serrated washers, and two 3/8" lock nuts (from the parts package). Leave the lock nuts loose at this time.

!WARNING! Two 3/8" lock nuts must be used with two 3/8" bumper bolts; otherwise the receiver could loosen and separate from the vehicle.

5. Screw the pull wire (55392) onto a 1/2" carriage bolt. Feed the pull wire through a bolt plate and the large hole in the outboard side of the frame. Pull it out the bottom hole of the frame. Repeat for the other side. Install two 1/2" serrated washers, lock washers and nuts on the bolts. Leave the nuts loose at this time.

6. Tighten bolts and nuts in the exact order listed; this allows the receiver to be pulled rearward to the bumper before the frame bolts are tightened.

*Torque two 3/8" lock nuts on the bumper to 30 ft.*lb.

*Torque the 1/2" nuts and bolts to 75 ft.*lb.

For Installation Assistance or Technical Help, Call 1-574-537-6339

This product complies with safety specification and requirements for the State of New York and VESC regulation V-5 for connecting devices and towing systems. Weight distributing hitch rating is 7500 lb max gross trailer weight and 750 lb max tongue weight. Weight carrying hitch rating is 5000 lb max gross trailer weight and 500 lb max tongue weight. Consult vehicle owner's manual for towing recommendations and limitations.

Towing Products warrants its Hitches, custom Hitch Receivers, and Sway Controls from date of purchase against defects in material and workmanship under normal use and service, ordinary wear excepted, for the ownership life of the original consumer purchaser. Towing Products will replace FREE OF CHARGE any part which proves defective in material or workmanship when presented to any Towing Products dealer, Towing Products Warehouse, or returned to factory, TRANSPORTATION CHARGES PREPAID, at the address below. THIS WARRANTY IS LIMITED TO DEFECTIVE PARTS REPLACEMENT ONLY. LABOR CHARGES AND/OR DAMAGE INCURRED IN INSTALLATION OR REPLACEMENT AS WELL AS INCIDENTAL AND CONSEQUENTIAL DAMAGES CONNECTED THEREWITH ARE EXCLUDED. Some states do not allow the exclusion or limitation of incidental or consequential damages, so the above limitation or exclusion may not apply to you. Any damage to the Hitch, Custom Hitch receiver or Sway Control as a result of misuse, abuse, neglect, accident, improper installation, or any use violative of instructions furnished by Towing Products, WILL VOID THE WARRANTY.

This warranty gives you specific legal rights, and you may also have other rights which vary from state to state. In the event of a problem with warranty service or performance, you may be able to go to a small claims court, a state court, or a federal district court.

Towing Products
PO Box 8102
47774 Anchor Ct.
Plymouth, MI 48170

Towing Products
2351 Winston Park Drive
Oakville, Ontario
Canada L6H6R7