

INSTALLATION INSTRUCTIONS

EQUIPMENT REQUIRED:

WIRING ACCESS LOCATION: SUV4

DRILL BITS:

HITCH REQUIRES 5/8" PIN AND CLIP IF STABILIZING PIN IS NOT INSTALLED.

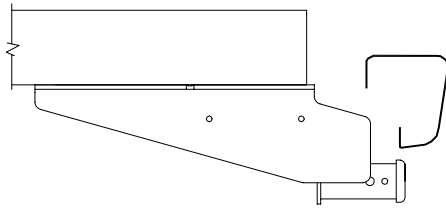
WRENCHES: (TIGHTEN ALL FASTENERS WITH TORQUE WRENCH) 15mm, 17mm

VEHICLE

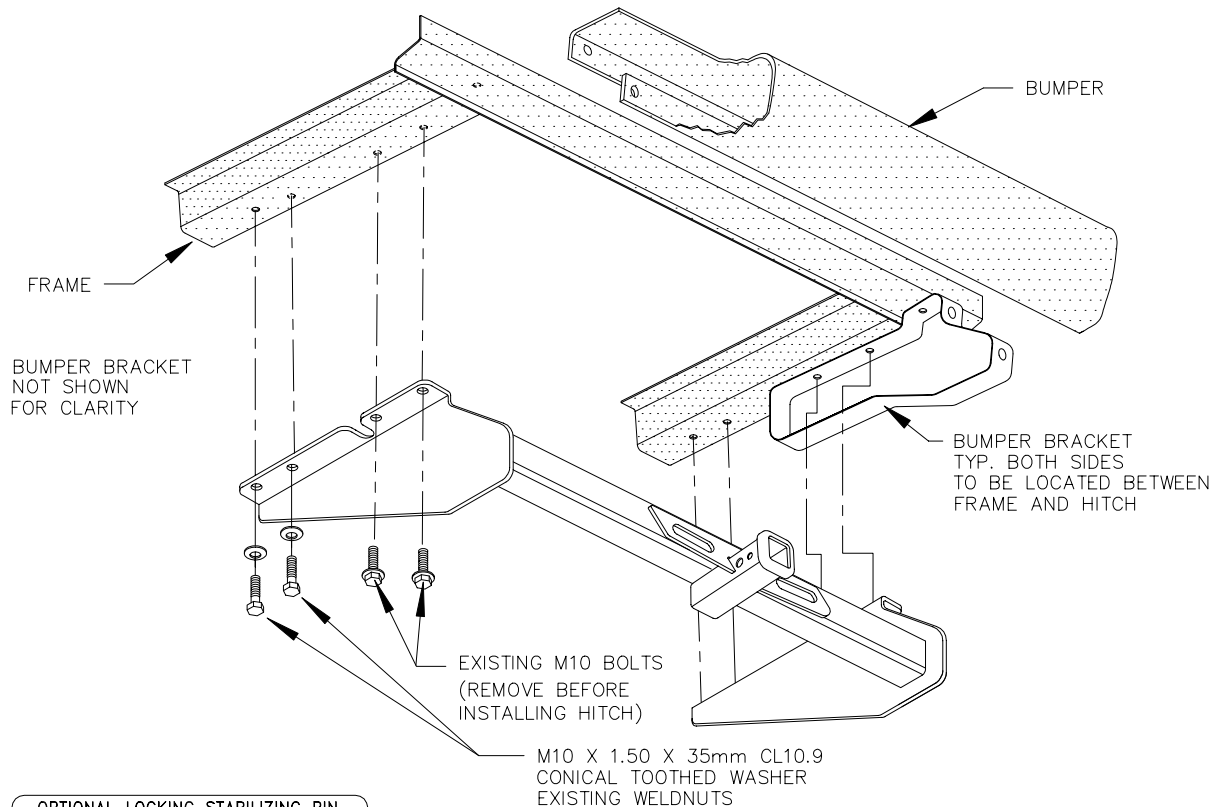
CHEVROLET ASTRO VAN
GMC SAFARI VAN
-EXTENDED BODY

DO NOT EXCEED LOWER OF
TOWING VEHICLE MFR'S RATINGS OR

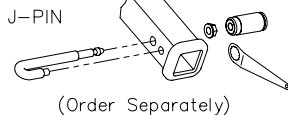
HITCH TYPE ▼	MAX GROSS TRLR WT(LB)	MAX TONGUE WT(LB)
WEIGHT DISTRIBUTING	6000	600
WEIGHT CARRYING BALL MOUNT	3500	300



HITCH SHOWN IN PROPER POSITION



OPTIONAL LOCKING STABILIZING PIN



1. REMOVE 2 BOLTS PER SIDE, ATTACHING BUMPER BRACKET TO FRAME.

NOTE: THE BUMPER AND BRACKET WILL REMAIN RIGIDLY ATTACHED TO THE VEHICLE WHEN THESE BOLTS ARE REMOVED.

2. LIFT THE RECEIVER INTO POSITION, CENTERING SLOTS IN SIDE BRACKET OVER WELDNUTS IN FRAME.
3. INSTALL THE M10 BOLTS REMOVE IN STEP #1.
4. INSTALL M10 X 1.50 X 35mm HEX BOLTS AND CONICAL TOOTHED WASHERS THROUGH SLOTS IN SIDE BRACKET INTO WELDNUTS IN FRAME, AS SHOWN.

TIGHTEN M10 FASTENERS TO 42 LB.-FT.

THIS PRODUCT COMPLIES WITH SAFETY SPECIFICATIONS AND REQUIREMENTS FOR CONNECTING DEVICES AND TOWING SYSTEMS OF THE STATE OF NEW YORK, V.E.S.C. REGULATION V-5 AND SAE J684.

APPROX WEIGHT (LB.)	FASTENER KIT
47	F75122

NOTE: Check hitch frequently, making sure all fasteners and ball are properly tightened. If hitch is removed, plug all holes in trunk pan or other body panels to prevent entry of water and exhaust fumes. A hitch or ball which has been damaged should be removed and replaced. Observe safety precautions when working beneath a vehicle and wear eye protection. Follow car maker's specs for maximum trailer weight and tongue weight. Do not cut access or attachment holes with a torch.

TOWING PRODUCTS
Plymouth, Michigan