



INSTALLATION INSTRUCTIONS

Thank you for purchasing ROCKSTAR™ Hitch Mounted Mud Flaps. Agri-Cover, Inc. proudly manufactured these mud flaps using superior quality materials and workmanship. With proper care, your mud flaps will provide years of service and enjoyment.

NOTICE TO INSTALLER: Even if familiar with product, read instructions prior to installation as improvements may be made without notice. Always handle components with care. If you have questions or problems, have serial number ready and call customer service. When done, these instructions must be given to the consumer.

NOTICE TO CONSUMER: Before using mud flaps, read maintenance and safety sections. Save these instructions for future reference.

FOR YOUR RECORDS

DATE PURCHASED: _____

WHERE PURCHASED: _____

SERIAL NUMBER: _____

(Located on decal on back of frame)



Questions? (888) 568-3709
agricover.com

PREPARATION

COMPONENTS

- (2) Mud flaps with hardware
- (2) Clamp halves with hardware
- (2) Protective disks
- (2) Outer brackets (2XL & 3XL only)
- (2) Middle brackets (XL, 2XL, & 3XL only)
- (2) Stabilizer brackets (Universal only)
- Vinyl flaps (quantity varies)
- Gusset with hardware
- Frame
- Alcohol pad

TOOLS NEEDED

- 9/16" Wrench
- Ft-lb. torque wrench with 9/16" socket
- Utility knife
- Straight edge
- Protective eyewear

⚠ CAUTION: To avoid galling of stainless steel hardware, use anti-galling spray, grease or lubricant on threads and avoid high speed when fastening. Do not use impact tools for stainless steel hardware.

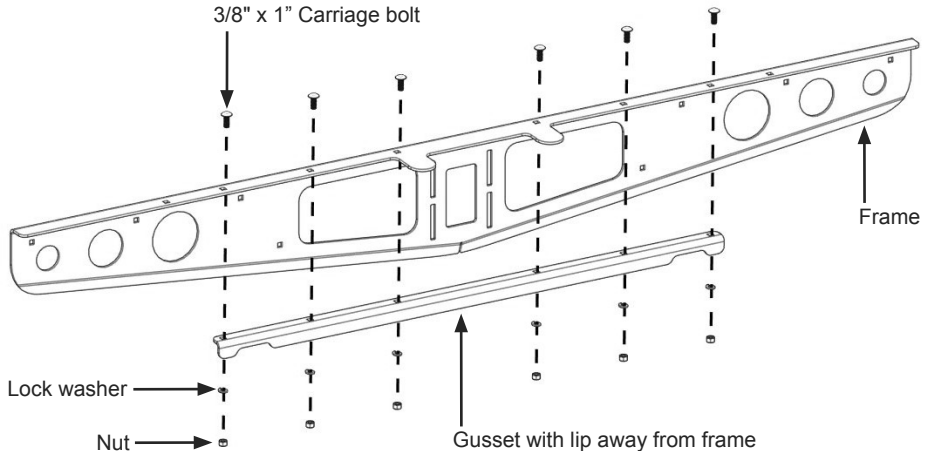
NOTE: Components and hardware appearance may vary.

⚠ CAUTION: Over torquing hardware may damage components.

1: ASSEMBLING GUSSET TO FRAME

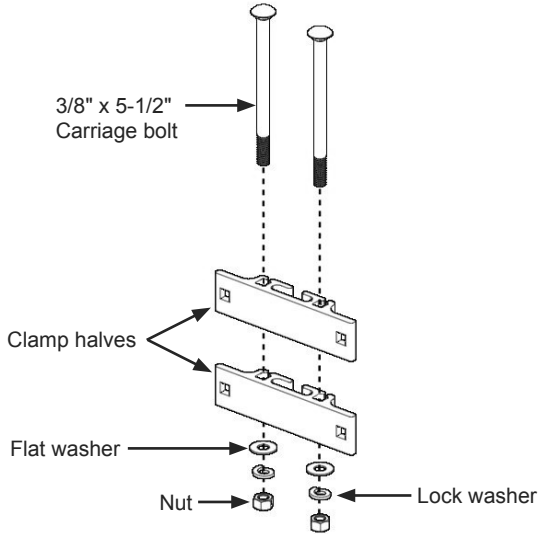
A. Align holes in frame and gusset (gusset lip facing away from frame).

B. Insert (6) 3/8" x 1" carriage bolts through frame and gusset, secure with lock washers and nuts. Torque to 32 ft-lbs.



2: ASSEMBLING CLAMP

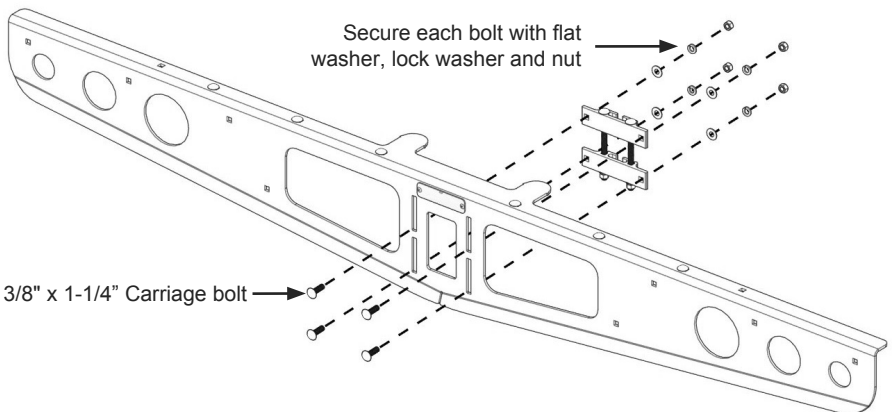
A. Insert (2) 3/8" x 5-1/2" carriage bolts through clamp halves and secure with flat washers, lock washers and nuts.



3: BOLT CLAMP ASSEMBLY TO FRAME

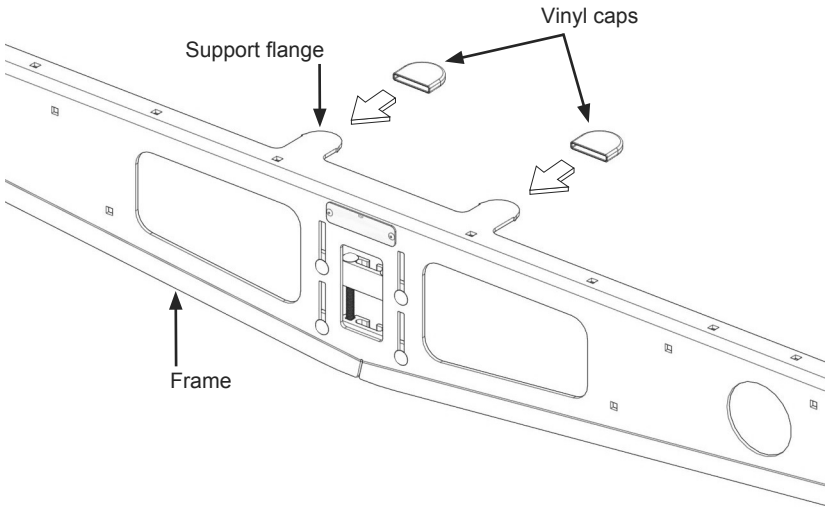
A. Position flat surface of clamp assembly on back of frame so nuts face down.

B. Attach clamp assembly to frame with (4) 3/8" x 1-1/4" carriage bolts, flat washers, lock washers and nuts, leave all bolts loose for now.



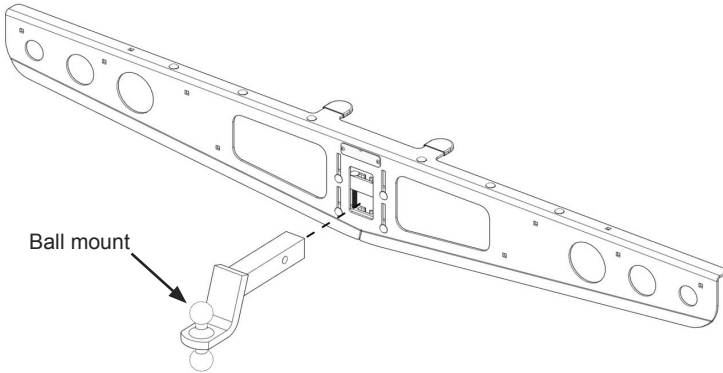
4. ASSEMBLING BALL MOUNT TO FRAME

A. Slide vinyl caps onto each of frame's support flanges.



B. Slide ball mount through frame and clamp assembly, then lift up and insert ball mount into receiver. Secure with pin and clip.

NOTE: Ball mount not included. If holes in ball mount and receiver do not align for pin, or frame cannot hang straight and plumb, a longer ball mount may be needed before proceeding (page 11).



5: PLACING ROCKSTAR ON BUMPER

A. Position support flanges on bumper step.

B. Perform one of the following:

- For model specific mud flaps, push frame against bumper until both outer vinyl caps are “tight” to vehicle bumper.
- For universal model mud flaps, a gap should be left between the frame and the bumper.

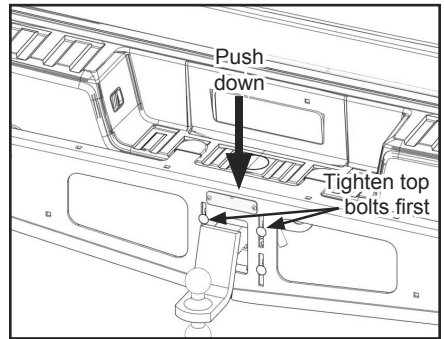
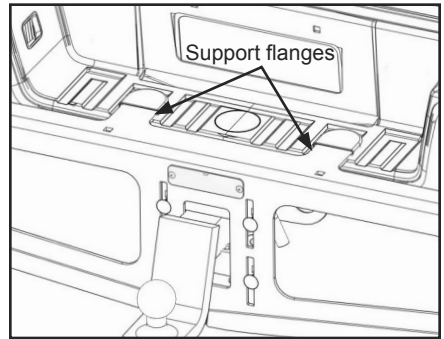
C. Loosely tighten (4) 3/8" x 1-1/4" carriage bolts on clamp assembly.

D. Ensure frame is level with bumper, push down on frame firmly at bumper step.

E. Push down on ball mount and pull mount back slightly to take slack out of receiver pin.

F. Verify vertical face of frame is plumb and tighten clamp bolts equally. Start with top (2) bolts through frame, followed by (2) vertical bolts through clamp assembly then remaining (2) bolts through frame.

G. Torque all (6) clamp bolts to 32 ft-lbs.

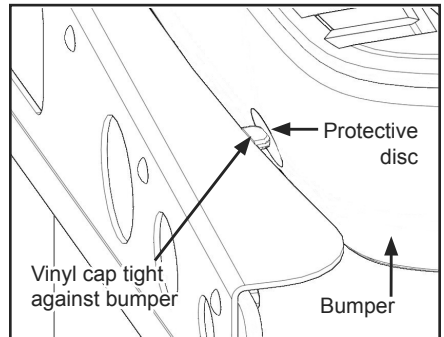


6: PLACING PROTECTIVE DISKS (Model Specific Only)

NOTE: For best adhesion, air and surface temperature should be above 60°F.

A. Remove receiver pin and pull frame out slightly. At locations where vinyl caps engage bumper, clean bumper surface with alcohol pad provided and let dry.

B. Remove adhesive backing and adhere protective discs on bumper where vinyl caps will rest against bumper.



TIP: If clamp assembly butts up to receiver before both bumper caps are against bumper, remove clamp and reassemble on ball mount side of frame.

7: INSTALLING RUBBER FLAPS

▲ WARNING: Ensure exhaust fumes are NOT directed or redirected toward any plastic or flaps, including on the vehicle.

Precautionary Measures:

- Adjust exhaust tips per manufacturer's specifications
- Add an exhaust diverter
- Optional heat shield available to protect flap from hot exhaust (page 11)
- If exhaust lines up with holes in frame, a hole may be cut in rubber at these locations

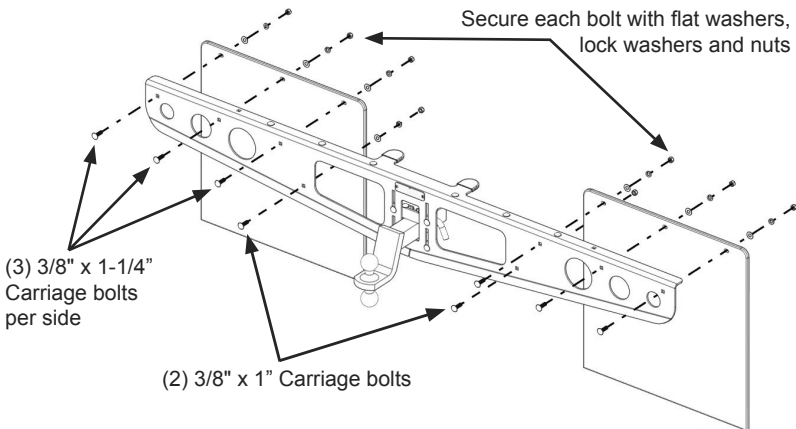
NOTE: Always check ground clearance of flaps. Suggested clearance without a load is 5"-7" and with a load is 3" minimum to prevent dragging. Install on vehicles with suspension modifications or oversized tires may exceed suggested clearance. Mud flaps still function, though performance may be affected.

TIP: If trimming is necessary, lay flaps on flat surface. Use straight edge and utility knife to repeatedly score through flap.

For flap installation, perform one of the following:

STANDARD MUD FLAPS

- Align holes in flaps with holes in frame. Orient side with letters to face tires.
- Bolt flaps to frame using (3) 3/8" x 1-1/4" carriage bolts, large flat washers, lock washers and nuts. Tighten nuts until lock washers are fully compressed.
- Use (2) 3/8" x 1" carriage bolts, lock washers and nuts to plug remaining holes in frame.
- Repeat on opposite side.

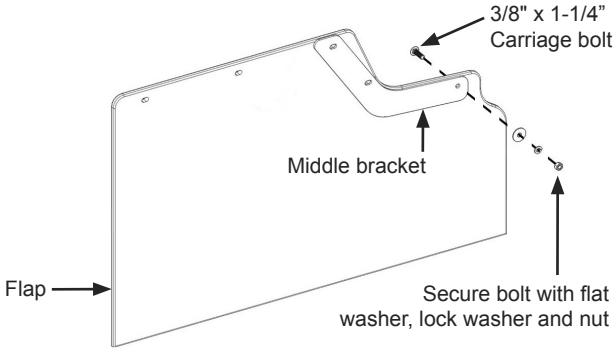


7: INSTALLING RUBBER FLAPS (Continued)

XL MUD FLAPS

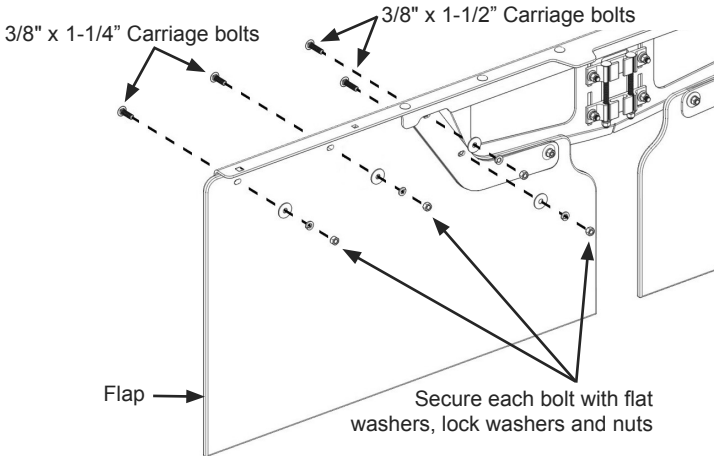
A. Attach middle bracket to flaps with 3/8" x 1-1/4" carriage bolt, flat washer, lock washer and nut. Tighten nuts until lock washer is fully compressed.

NOTE: Middle bracket labeled "passenger" goes on passenger side of vehicle with label facing away from flap.



B. Align holes in bracket and flap then secure to frame with carriage bolts, large flat washers, lock washers and nuts. Use 3/8" x 1-1/2" carriage bolts when bolting through frame, flap and middle bracket. Use 3/8" x 1-1/4" carriage bolts when bolting through frame and flap. Tighten nuts until lock washers are fully compressed.

C. Repeat on opposite side.



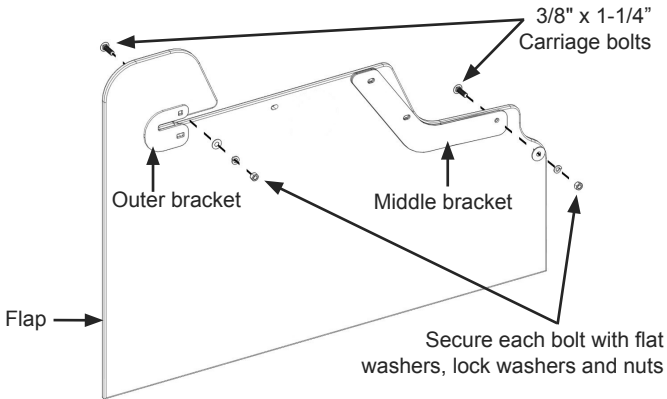
7: INSTALLING RUBBER FLAPS (Continued)

2XL MUD FLAPS

A. Attach middle bracket to flaps with 3/8" x 1-1/4" carriage bolt, flat washer, lock washer and nut. Tighten nuts until lock washer is fully compressed.

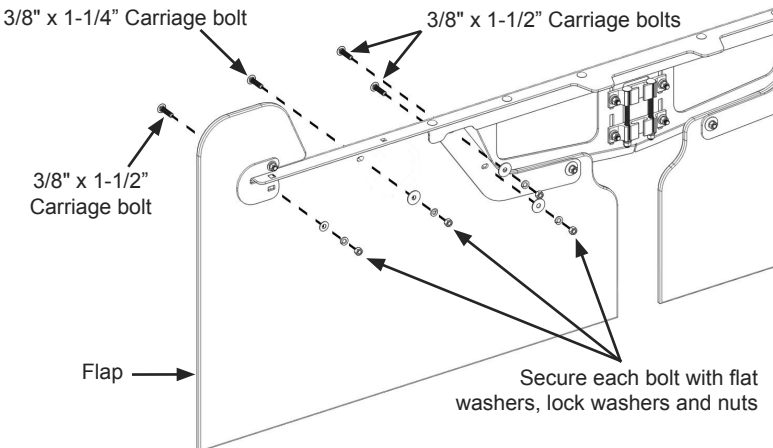
NOTE: Middle bracket labeled "passenger" goes on passenger side of vehicle with label facing away from flap.

B. Attach outer brackets to flap with 3/8" x 1-1/4" carriage bolt, flat washer, lock washer and nut. Tighten nuts until lock washers are fully compressed.



C. Align holes in brackets and flap then secure to frame with carriage bolts, large flat washers, lock washers and nuts. Use 3/8" x 1-1/2" carriage bolts when bolting through frame, flap and brackets. Use 3/8" x 1-1/4" carriage bolts when bolting through frame and flap. Tighten nuts until lock washers are fully compressed.

D. Repeat on opposite side.



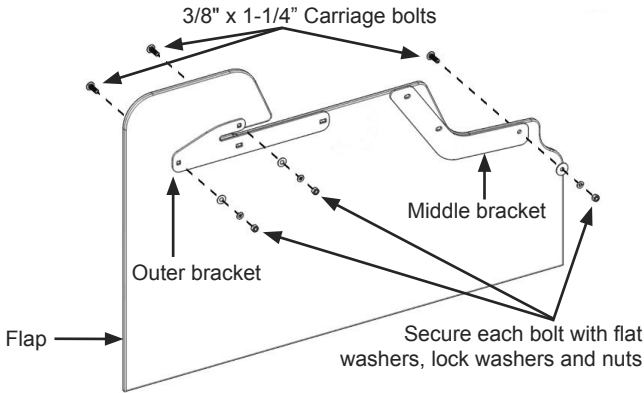
7: INSTALLING RUBBER FLAPS (Continued)

3XL MUD FLAPS

A. Attach middle bracket to flaps with 3/8" x 1-1/4" carriage bolt, flat washer, lock washer and nut. Tighten nuts until lock washer is fully compressed.

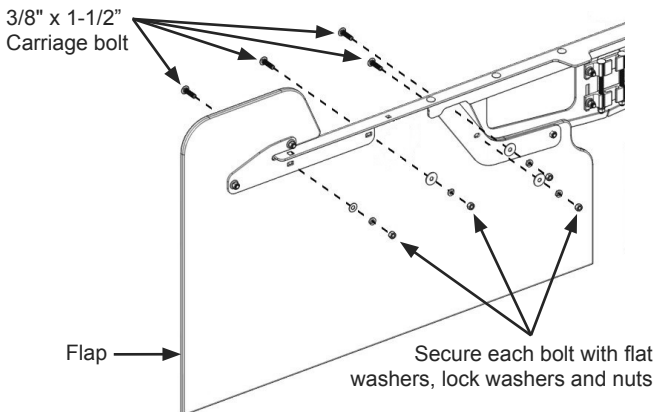
NOTE: Middle bracket labeled "passenger" goes on passenger side of vehicle with label facing away from flap.

B. Attach outer brackets to flap with 3/8" x 1-1/4" carriage bolt, flat washer, lock washer and nut. Tighten nuts until lock washers are fully compressed.



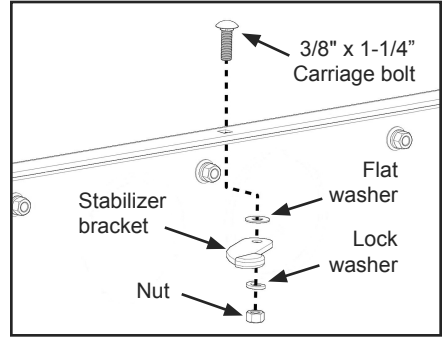
C. Align holes in brackets and flap then secure to frame with 3/8" x 1-1/2" carriage bolts, large flat washers, lock washers and nuts. Tighten nuts until lock washers are fully compressed.

D. Repeat on opposite side.



8: INSTALLING STABILIZER BRACKETS (Universal Only)

A. Install stabilizer brackets on each side of frame using 3/8" x 1-1/4" carriage bolt, flat washer, lock washer and nut, leave finger tight for now.

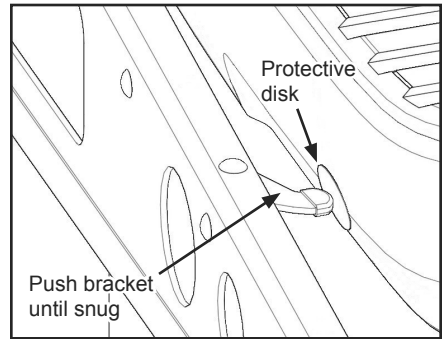


NOTE: For best adhesion, air and surface temperature should be above 60° F.

B. At locations where stabilizer brackets engage bumper, clean bumper surface with alcohol pad provided and let dry.

C. Remove adhesive backing and adhere protective disc on bumper where stabilizer brackets will rest against bumper.

D. Adjust brackets until vinyl caps are snug against vehicle bumper and torque to 32 ft-lbs.



TIP: If clamp assembly butts up to receiver before both bumper caps are against bumper, remove clamp and reassemble on ball mount side of mud flap frame.

SAFETY AND MAINTENANCE

The operator can perform most of inspection and maintenance. It may be necessary to review the installation instructions.

- Always route safety chains under mud flap frame, not through holes.
- Always remove mud flaps before entering automatic car wash systems.
- DO NOT use mud flap frame as a step.
- DO NOT hook up anything to mud flap frame.
- Periodically check all bolts and nuts, retighten if needed.

NOTE: Inspection and/or maintenance should be performed anytime a malfunction is observed or suspected. If you need assistance inspecting and/or servicing your mud flaps, call customer service at 888-568-3709. Always use original equipment replacement parts for your mud flaps.

ACCESSORIES

HEAT SHIELD

Protects the flap from hot exhaust. Stainless steel plate and hardware included.

PN 80807



2-1/2" RECEIVER CLAMP

Hardened aluminum clamp with stainless steel hardware designed to attach mud flaps to 2-1/2" receivers (fits all models).

PN 81008



EXTENDED SHAFT 2" BALL MOUNTS

Black powder coated finish with up to 7,500 lbs. capacity. Extended shaft made to work with hitch mounted mud flaps.

Two Options:
2" Drop PN 80812
4" Drop PN 80826



ADJUSTABLE BALL MOUNT

Heavy Duty - 2" & 2-5/16" combo ball with 4" drop or 2" rise and up to 14,000 lbs capacity.

Two Options:
2" Ball amount PN 80685
2-1/2" Ball amount PN 90921



MANUFACTURER'S LIMITED WARRANTY

Agri-Cover, Inc. extends the following (1) year Limited Warranty for the ROCKSTAR™ Hitch Mounted Mud Flaps:

Agri-Cover, Inc. warrants a period of one (1) year from the date of manufacture that its ROCKSTAR™ Hitch Mounted Mud Flaps are free from defects in workmanship, under normal use for the truck model it was intended for. This Limited Warranty does not cover any damage due to accident, abuse, misuse, alteration, neglect, improper installation, or ordinary wear and tear.

Agri-Cover, Inc.'s sole obligation under this Limited Warranty is limited to the repair or replacement at its option, of defective parts only. No labor or service allowance is given or implied. IN NO EVENT SHALL AGRI-COVER, INC. BE LIABLE FOR INCIDENTAL, CONSEQUENTIAL, OR SPECIAL DAMAGES. AGRI-COVER, INC. EXPRESSLY DISCLAIMS ANY AND ALL IMPLIED WARRANTIES OF MERCHANTABILITY, AND THERE ARE NO WARRANTIES WHICH EXTEND BEYOND THE LIMITED WARRANTY DESCRIPTION CONTAINED HEREIN.

For warranty, have serial number ready and fill out the warranty claim form at agricover.com/warrantyclaim or call Customer Service Department at 888-568-3709 to determine if only a replacement part is needed or if the mud flaps needs to be returned for inspection and repair. Goods to be returned must have a pre-authorized RA # (Return Authorization Number) - obtained by calling the number above. Mark the number on the package and ship it freight prepaid to address below. Agri-Cover, Inc. will pay freight to return goods to sender.

This Limited Warranty gives you specific legal rights and you may have other rights, which vary, from state to state.

For replacement parts shop at mudflapparts.com or call Customer Service at 888-568-3709.



Agri-Cover, Inc.
Customer Service Dept
3000 Hwy 281 SE
Jamestown, ND 58401
Phone: 888-568-3709

Hours: 8:00 am - 5:00 pm CST Monday through Friday, except Holidays