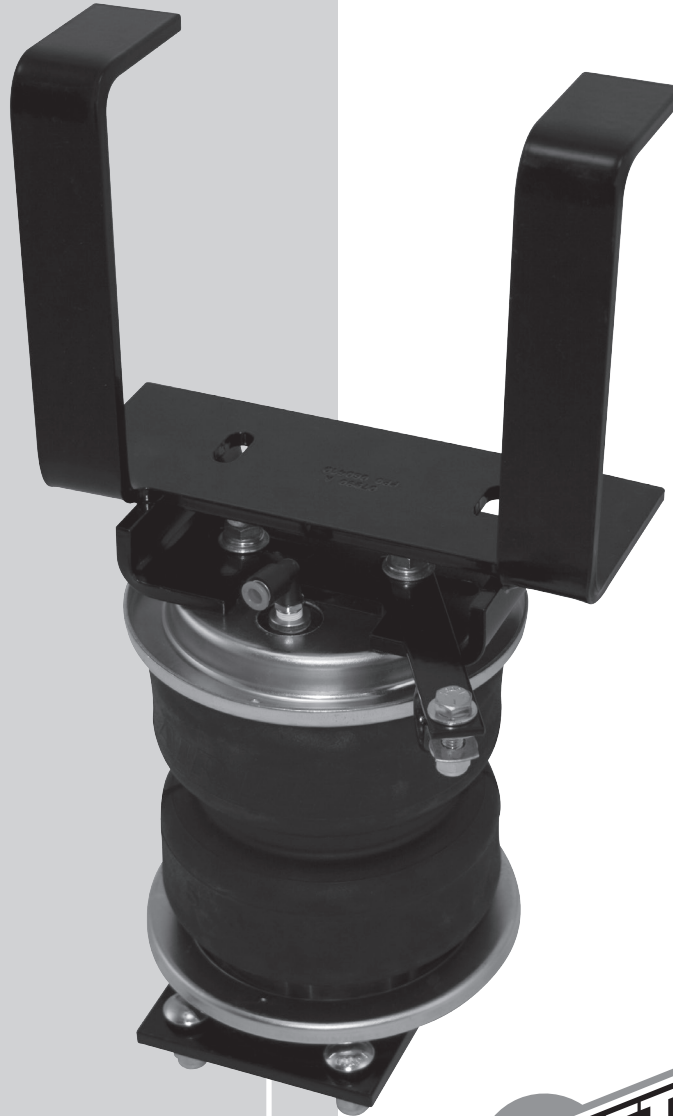


# LoadLIFTER 5000

by AIR LIFT®

## Kit 57286

*2001- Chevrolet Silverado/  
GMC Sierra 3500  
Commercial Cab and Chassis*



## INSTALLATION GUIDE

For maximum effectiveness and safety, please read these instructions completely before proceeding with installation.

*Failure to read these instructions can result in an incorrect installation.*





# TABLE OF CONTENTS



<b>Installation Diagram</b> .....	<b>2</b>
<b>Hardware and Tools Lists</b> .....	<b>3</b>
Hardware List .....	3
Tools List .....	3
<b>Introduction</b> .....	<b>4</b>
Important Safety Notice .....	4
Notation Explanation .....	4
<b>Installing the LoadLifter 5000 System</b> .....	<b>5</b>
Getting Started .....	5
Assembling the Air Spring .....	5
Installing the Assemblies .....	6
Securing the Emergency Brake Cable .....	9
<b>Installing the Air Lines</b> .....	<b>10</b>
Tips for Installing Air Lines .....	11
Installing the Heat Shield .....	11
<b>Before Operating</b> .....	<b>12</b>
Checking for Leaks .....	12
Fixing Leaks .....	12
Installation Checklist .....	13
Post-Installation Checklist .....	13
<b>Product Use, Maintenance and Servicing</b> .....	<b>14</b>
Minimum and Maximum Pressure .....	14
Maintenance Guidelines .....	14
Tuning the Air Pressure .....	15
Guidelines for Adding Air .....	15
<b>Troubleshooting Guide</b> .....	<b>16</b>
Frequently Asked Questions .....	16
<b>Limited Warranty and Return Policy</b> .....	<b>17</b>
<b>Replacement Part Information</b> .....	<b>17</b>
<b>Contact Information</b> .....	<b>17</b>



# Installation Diagram

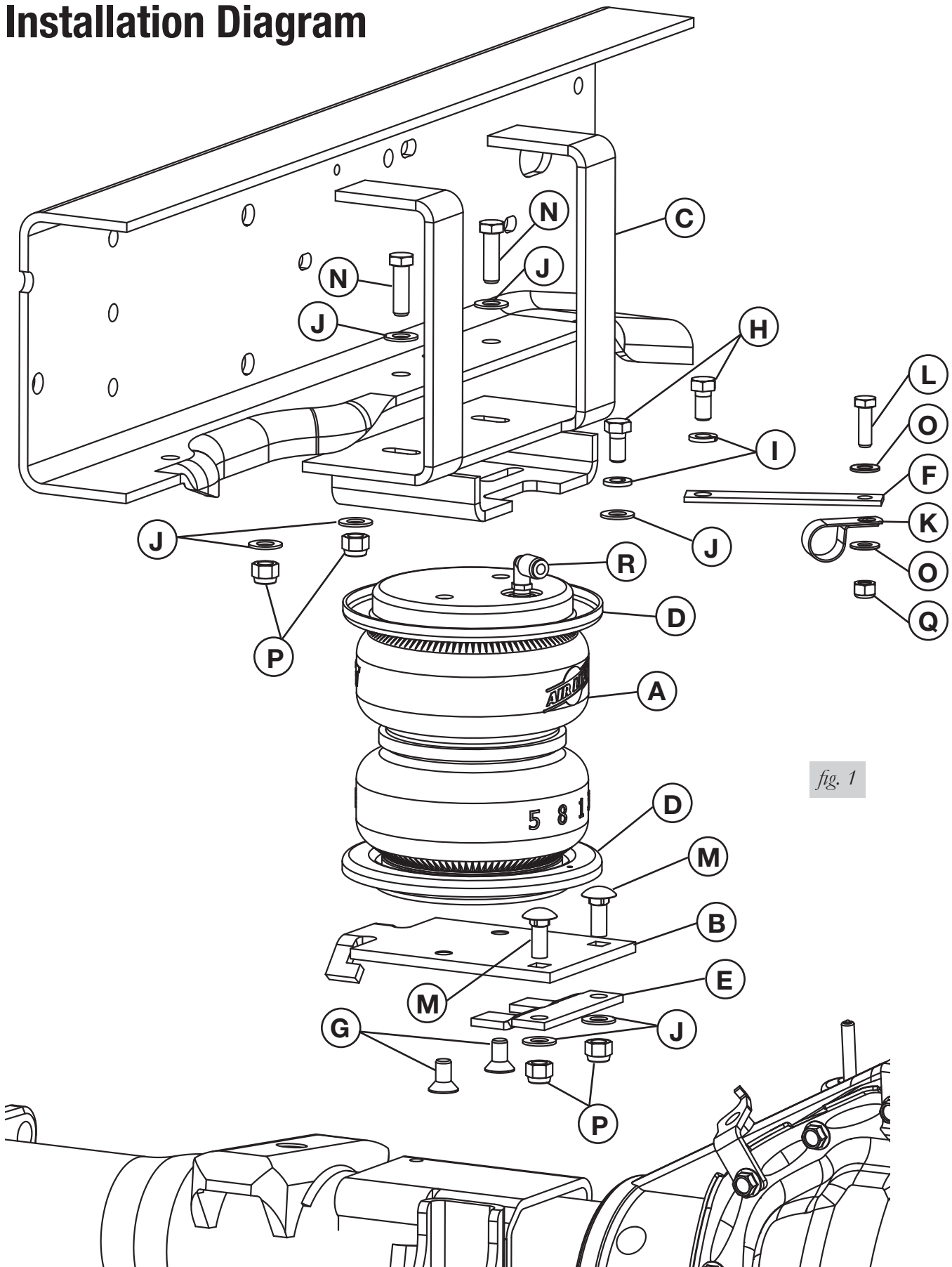


fig. 1

# Hardware and Tools Lists

## HARDWARE LIST

Item	Part #	Description .....	Qty
A	58437	Bellows .....	2
B	03253	Lower Bracket.....	2
C	07990	Upper Bracket.....	2
D	11951	Roll Plate.....	4
E	03267	Clamp .....	2
F	11041	Emergency Brake Cable Bracket.....	1
G	17215	3/8"-24 x 3/4" Flat Head Screw.....	4
H	17203	3/8"-24 x 7/8" Hex Cap Screw .....	4
I	18427	3/8" Lock Washer .....	4
J	18444	3/8" Flat Washer .....	15
K	10465	5/8" Clip.....	1
L	17103	5/16"-18 x 1" Hex Cap Screw .....	1
M	17134	3/8"-16 x 1" Carriage Bolt .....	4
N	17188	3/8"-16 x 1.25" Hex Cap Screw .....	4
O	18433	5/16" Flat Washer .....	2
P	18435	3/8"-16 Nylon Lock Nut.....	8
Q	18438	5/16"-18 Nylon Lock Nut.....	1
R	21837	90° Swivel Elbow Fitting.....	2
S	20086	Air Line Assembly .....	1
T	10466	Tie Strap .....	6
U	18501	M8 Flat Washer.....	2
V	18411	Small Star Washer .....	2
W	21230	Valve Caps.....	2
X	21233	5/16"-32 Hex Nut.....	4
Y	21234	Rubber Washer .....	2
Z	34365	Heat Shield .....	1

## TOOLS LIST

### Description

Safety Glasses  
 Hoist or Floor Jack  
 Jack Stands  
 Standard & Metric Sockets and Wrenches  
 Air Compressor or Compressed Air Source  
 Spray Bottle with Dish Soap/Water Solution  
 Hose Cutter, Razor Blade or Sharp Knife  
 Drill and 5/16" Drill Bit



Missing or damaged parts? Call Air Lift customer service at (800) 248-0892 for a replacement part.

# Introduction

The purpose of this publication is to assist with the installation, maintenance and troubleshooting of the LoadLifter 5000 air spring kit. LoadLifter 5000 utilizes sturdy, reinforced, commercial grade single or double, depending on the kit, convolute bellows. The bellows are manufactured like a tire with layers of rubber and cords that control growth. LoadLifter 5000 kits are recommended for most 3/4- and 1-ton pickups and SUVs with leaf springs and provide up to 5,000 pounds of load leveling support with air adjustability from 5-100 PSI. The kits are also used in motor home rear applications and various front applications where leaf springs are used.

It is important to read and understand the entire installation guide before beginning installation or performing any maintenance, service or repair. The information here includes a hardware list, tool list, step-by-step installation information, maintenance guidelines and operating tips.

Air Lift Company reserves the right to make changes and improvements to its products and publications at any time. For the latest version of this manual, contact Air Lift Company at **(800) 248-0892** or visit **airliftcompany.com**.

## IMPORTANT SAFETY NOTICE

The installation of this kit does not alter the gross vehicle weight rating (GVWR) or payload of the vehicle. Check your vehicle's owner's manual and do not exceed the maximum load listed for your vehicle.

**Gross vehicle weight rating:** The maximum allowable weight of the fully loaded vehicle (including passengers and cargo). This number — along with other weight limits, as well as tire, rim size and inflation pressure data — is shown on the vehicle's Safety Compliance Certification Label.

**Payload:** The combined, maximum allowable weight of cargo and passengers that the truck is designed to carry. Payload is GVWR minus the base curb weight.

## NOTATION EXPLANATION

Hazard notations appear in various locations in this publication. Information which is highlighted by one of these notations must be observed to help minimize risk of personal injury or possible improper installation which may render the vehicle unsafe. Notes are used to help emphasize areas of procedural importance and provide helpful suggestions. The following definitions explain the use of these notations as they appear throughout this guide.



### DANGER

INDICATES IMMEDIATE HAZARDS WHICH WILL RESULT IN SEVERE PERSONAL INJURY OR DEATH.



### WARNING

INDICATES HAZARDS OR UNSAFE PRACTICES WHICH COULD RESULT IN SEVERE PERSONAL INJURY OR DEATH.



### CAUTION

INDICATES HAZARDS OR UNSAFE PRACTICES WHICH COULD RESULT IN DAMAGE TO THE MACHINE OR MINOR PERSONAL INJURY.

## NOTE

*Indicates a procedure, practice or hint which is important to highlight.*

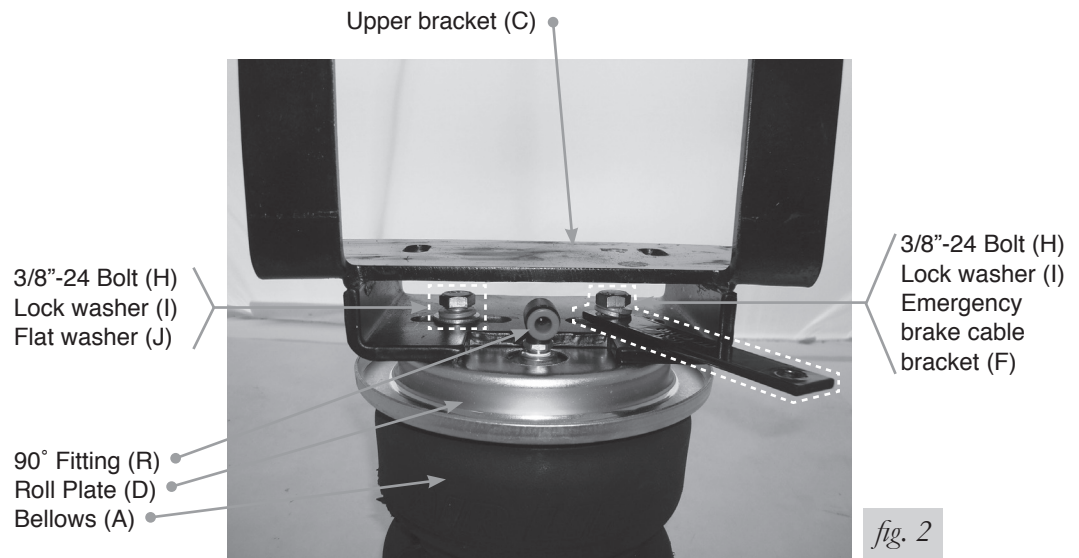
# Installing the LoadLifter 5000 System

## GETTING STARTED

1. Raise the vehicle and support the frame with jack stands. Lower the axle as far as it can go.
2. Remove the Jounce bumpers from the frame that are above the axle.

## ASSEMBLING THE AIR SPRING

1. Set the roll plates (D) on both sides of the Bellows (A). The radius (rounded edge) of the roll plate will be towards the air spring, so both ends are seated in both roll plates (Fig. 1).
2. Install the 90° swivel elbow fitting (R) to the top of the bellows (A). Tighten finger tight plus 1 and a 1/2 turns. Be careful to only tighten on the hex nut. Do not over tighten.
3. Driver Side: install the upper bracket to the bellows assembly using two 3/8" bolts (H), lock washers (I), with one flat washers (J) on the rear bolt, and the Emergency Brake cable bracket (F) on the forward bolt (Fig. 2). Leave bolts loose at this time.
4. Passenger Side: install the upper bracket to the bellows assembly using two 3/8" bolts (H), lock washers (I), flat washers (J). Leave the bolts loose at this time.

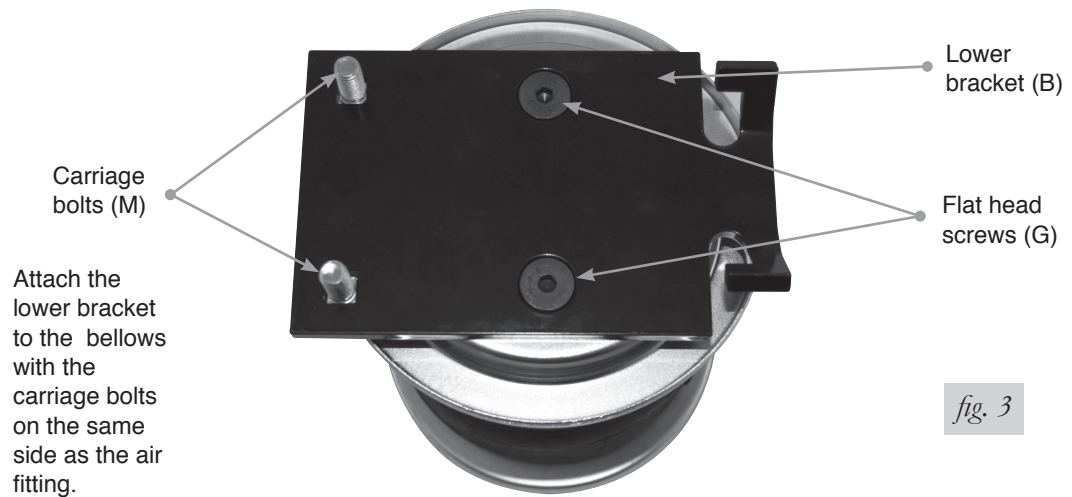


Driver Side Assembly

5. Insert two 3/8" carriage bolts (M) into the lower bracket (B) opposite end of the "tabs" that are on one end. Attach the lower bracket to the bellows assembly using two 3/8" flat head screws (G) and tighten securely.

## NOTE

*The end with the carriage bolts in the lower bracket will be on the same side as the fitting (Fig. 3).*



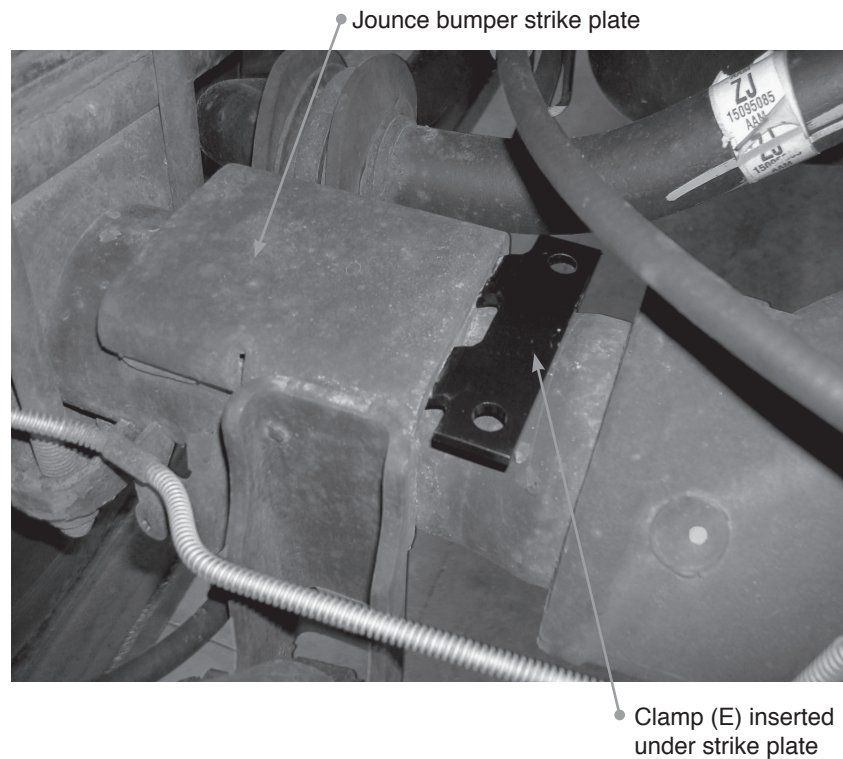
## INSTALLING THE ASSEMBLIES

The assembly with the emergency brake cable bracket mounts on the driver side. Install both sides together throughout the installation (not one at a time).

1. Set the clamp (E) into position under the jounce bumper strike plate that is welded to the axle (Fig. 4).

### NOTE

*It may be necessary to pry the bracket into position.*



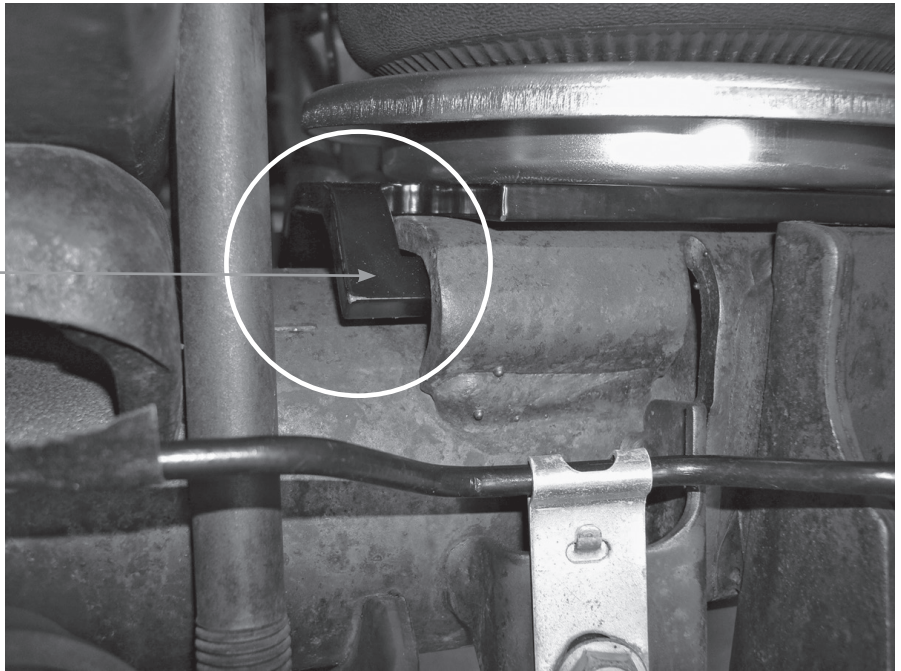


- Set the driver side assembly in place over the axle. The “tabs” that are on the outside of the lower bracket will index under the jounce bumper strike plate (Fig. 5).

**NOTE**

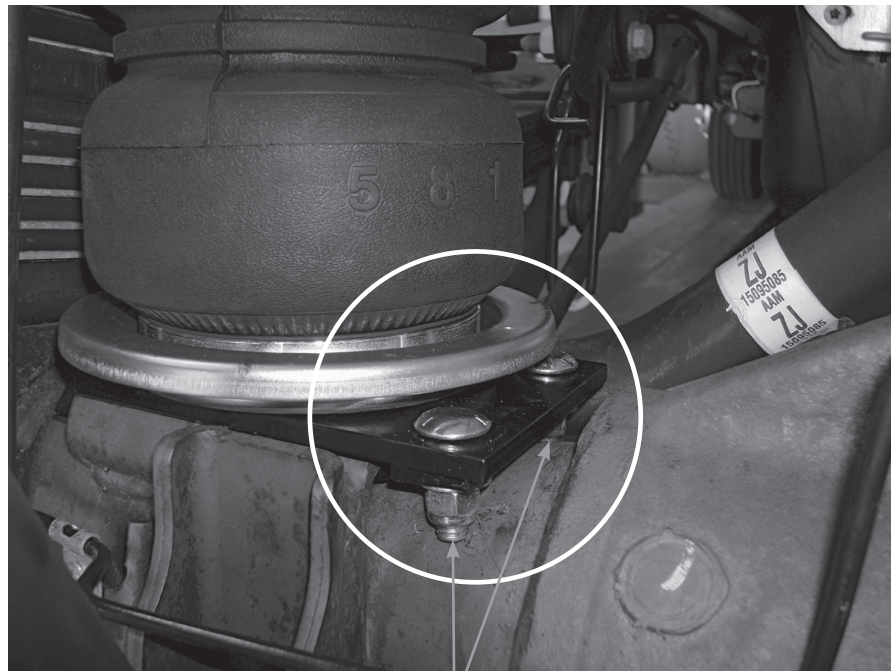
*It may be necessary to pry the bracket into position.*

Lower bracket tab inserted under jounce bumper strike plate that is welded to the axle.



*fig. 5*

- While setting the lower bracket into position, insert the lower bracket carriage bolts into the holes in the clamp (E). Cap with two 3/8” flat washers (J) and nylon lock nuts (P) and tighten both nuts evenly until tight (Fig. 6).



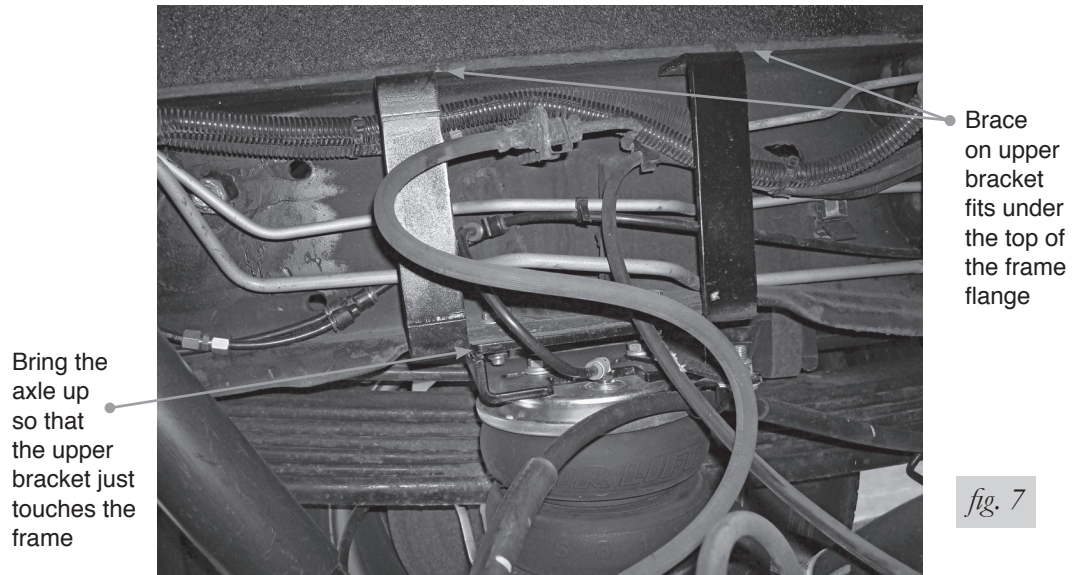
*fig. 6*

Carriage bolt from lower bracket through clamp (E) and capped with flat washer (J) and nylon lock nut (P). Tighten both nuts evenly until tight.

- The upper bracket will set under the bottom frame flange. Lift the axle up just far enough for the upper bracket to touch the frame.

**NOTE**

*The upper brace also fits under the top flange of the frame (Fig. 7).*

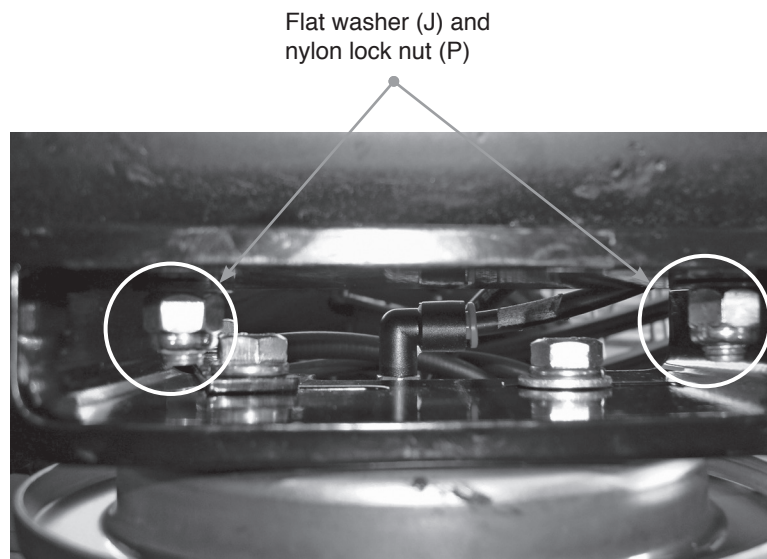


*fig. 7*

- Using the existing holes that the jounce bumper was removed from, attach the upper bracket to the frame by using two 3/8" bolts (N) four flat washers (J) and nylon lock nut (P).

**NOTE**

*Set the nut inside, on the bracket while holding the washer onto the underside of the bolt. Push the bolt down into the nut, and then turn the bolt to get it to start. With the bellows mounting bolts still loose, it may be necessary to push the bellows forward or back to gain clearance to start the nut (Fig. 8).*



*fig. 8*

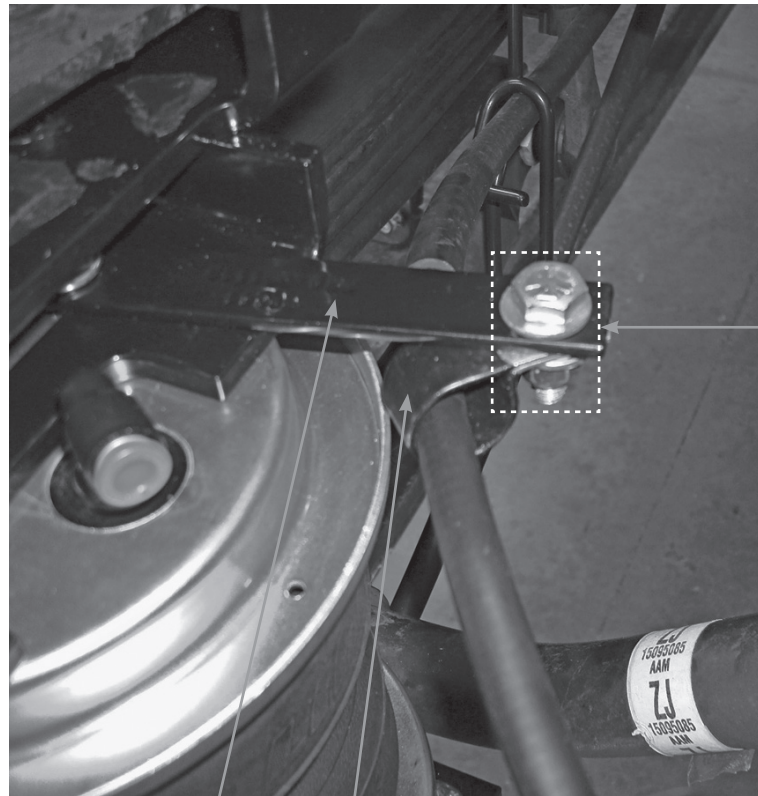
While holding the flat washer up on the bolt that is through the frame/bracket, set the nylon lock nut in place on the bracket and slide it into position under the bolt. Push the bolt into the nylon lock nut and turn the bolt to start it into the nut.

6. Align the bellows by moving the upper bracket inward or outward and by moving the bellows forward and back so that the bellows is perpendicular to both brackets. Then tighten the upper bracket mounting bolts to 31lb.-ft.
7. Raise the suspension back up to stock ride height. Make sure bellows is still aligned. Push the emergency bracket (F), on the driver's side only, as far forward as possible and tighten the upper bellows mounting bolts securely. Do not over tighten.

### SECURING THE EMERGENCY BRAKE CABLE

To keep the emergency brake cable from rubbing a hole in the side of the bellows, it will be necessary to secure it to the emergency brake cable mounting bracket.

1. Installing a clip (K) to the cable and attach the clip to the bracket using a 5/16" hex cap screw (L), two flat washers (O), and a nylon lock nut (Q). Install the cable so it is on the bellows side of the mounting hardware (Fig. 9).



5/16" Hex cap screw (L)  
 Flat washers (O)  
 Nylon lock nut (Q)

fig. 9

Emergency brake cable bracket (F)

Clip (K)

**Note: Cable goes on the bellows side of the mounting hardware**



# Installing the Air Lines

This section explains how to set up the air spring kit to be controlled with Schrader valves and a separate compressed air source. An on-board air compressor system allows for hassle-free control of the air springs. Learn more about Air Lift air control systems at [www.airliftcompany.com/products/compressor-systems](http://www.airliftcompany.com/products/compressor-systems).

1. Before installing the passenger's side air line, install the hose heat shield over the hose (Fig. 10). Once the air line has been inserted into the fitting, align the heat shield so that it is protecting the air line from the exhaust pipe. Secure the air line to the frame with zip ties.

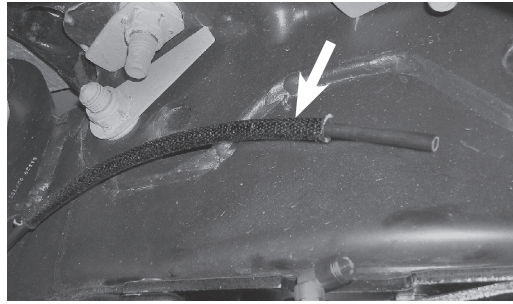


fig. 10

2. Choose a convenient location for mounting the inflation valves. Popular locations for the inflation valve are:
  - a. The wheel well flanges
  - b. The license plate recess in bumper
  - c. Under the gas cap access door
  - d. Through the license plate

## NOTE

*Whatever the chosen location, make sure there is enough clearance around the inflation valves for an air chuck.*

3. Drill 5/16" holes to install the inflation valves.
4. Cut the air line assembly in two equal lengths.
5. Place a 5/16" nut and star washer on the air valve. Leave enough of the inflation valve in front of the nut to extend through the hole and have room for the rubber washer, flat washer, and 5/16" nut and cap. There should be enough valve exposed after installation – approximately 1/2" – to easily apply a pressure gauge or an air chuck (Fig. 11).

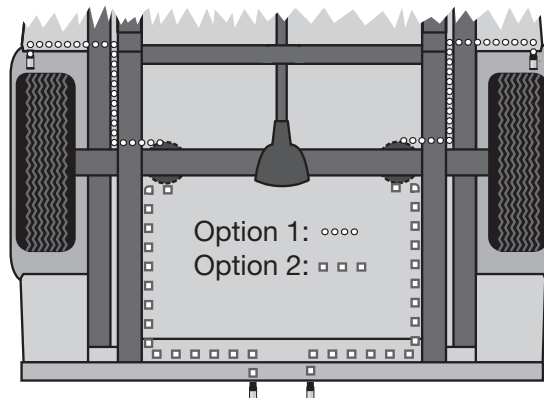


fig. 11

6. Push the inflation valve through the hole and use the rubber washer, flat washer, and another 5/16" nut to secure it in place. Tighten the nuts to secure the assembly.

7. Route the air line along the frame to the air spring fitting (Fig. 12). Keep AT LEAST 6" of clearance between the air line and the exhaust system. Avoid sharp bends and edges. Use zip ties to secure the air line to fixed points along the chassis. Do not pinch the air line. Leave at least 2" of slack to allow for any movement that might pull on the air line.

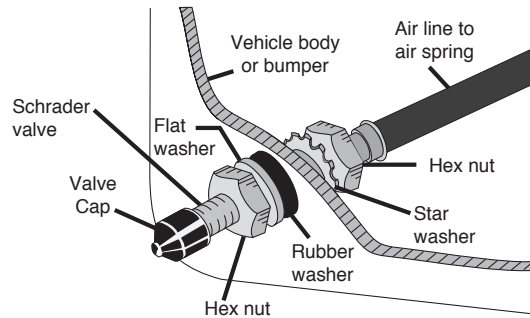


fig. 12

8. Cut off the air line, leaving approximately 12" of extra air line. A clean square cut will prevent leaks. Insert the air line into the air fitting. This is a push-to-connect fitting. Simply push the air line into the 90° swivel fitting until it bottoms out (9/16" of air line should be in the fitting).

### TIPS FOR INSTALLING AIR LINES

When cutting air lines, use a sharp knife or a hose cutter and make clean, square cuts (Fig. 13). Do not use scissors or wire cutters because these tools may deform the air line, causing it to leak around fittings. Do not cut the lines at an angle.

Do not bend the 1/4" hose at a radius of less than 1" or bend the 3/8" hose at a radius of less than 1 1/2". Do not put side load pressure on fitting. The hose should be straight beyond the fitting for 1" before bending.

Inspect hose for scratches that run lengthwise on hose prior to installation. Contact Air Lift customer service at (800) 248-0892 if the air line is damaged.



Go to [air-lift.co/cuttingairline](http://air-lift.co/cuttingairline) to watch a video demonstrating proper air line cutting.

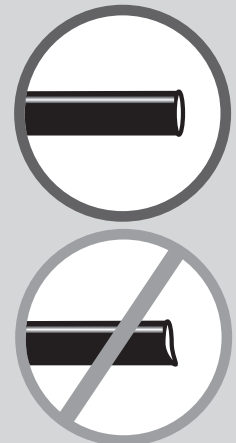


fig. 13

### INSTALLING THE HEAT SHIELD

1. Bend tabs to provide a dead air space between exhaust pipe and heat shield (Figs. 14 & 15). Attach the heat shield to the exhaust pipe using the clamps. Bend the heat shield for maximum clearance to the air spring.

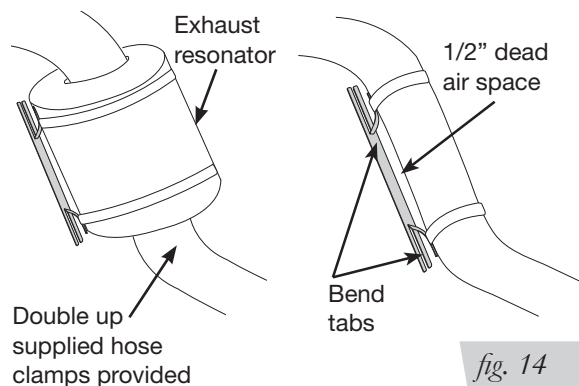


fig. 14

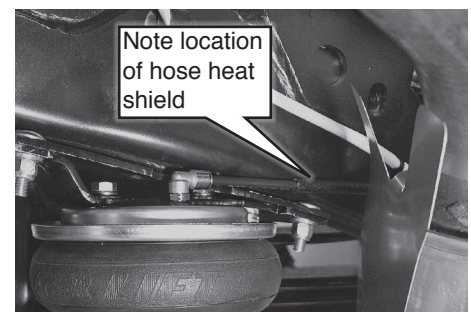


fig. 15

# Before Operating

## CHECKING FOR LEAKS

1. Inflate the air spring to 30 PSI.
2. Spray all connections and the inflation valves with a solution of 1/5 liquid dish soap and 4/5 water. Spot leaks easily by looking for bubbles in the soapy water.
3. After the test, deflate the springs to the minimum pressure required to restore the system to normal ride height. Do not deflate to lower than 5 PSI.
4. Check the air pressure again after 24 hours. A 2-4 PSI loss after initial installation is normal. Retest for leaks if the loss is more than 5 PSI.

## FIXING LEAKS

1. If there is a problem with the swivel fitting:
  - a. Check the air line connection by deflating the spring and removing the line by pulling the collar against the fitting and pulling firmly on the air line. Trim 1" off the end of the air line. Be sure the cut is clean and square (see Fig. 13). Reinsert the air line into the push-to-connect fitting.
  - b. Check the threaded connection by tightening the swivel fitting another half turn. If it still leaks, deflate the air spring, remove the fitting, and re-coat the threads with thread sealant. Reinstall by hand tightening as much as possible and then use a wrench for an additional two turns.
2. If there is a problem with the inflation valve:
  - a. Check the valve core by tightening it with a valve core tool.
  - b. Check the air line by removing the air line from the barbed type fitting. Cut the air line off a few inches in front of the fitting and use a pair of pliers or vice grips to pull/twist the air line off of the fitting.



### CAUTION

DO NOT CUT OFF THE AIR LINE COMPLETELY AS THIS WILL USUALLY NICK THE BARB AND RENDER THE FITTING USELESS.

3. If the preceding steps have not resolved the problem, call Air Lift customer service at **(800) 248-0892**.

## INSTALLATION CHECKLIST

- Clearance test** — Inflate the air springs to 75-90 PSI and make sure there is at least 1/2" clearance from anything that might rub against each air spring. Be sure to check the tire, brakes, frame, shock absorbers and brake cables.
- Leak test before road test** — Inflate the air springs to 75-90 PSI and check all connections for leaks. All leaks must be eliminated before the vehicle is road tested.
- Heat test** — Be sure there is sufficient clearance from heat sources, at least 6" for air springs and air lines. If a heat shield was included in the kit, install it. If there is no heat shield, but one is required, call Air Lift customer service at **(800) 248-0892**.
- Fastener test** — Recheck all bolts for proper torque.
- Road test** — The vehicle should be road tested after the preceding tests. Inflate the springs to recommended driving pressures. Drive the vehicle 10 miles and recheck for clearance, loose fasteners and air leaks.
- Operating instructions** — If professionally installed, the installer should review the operating instructions with the owner. Be sure to provide the owner with all of the paperwork that came with the kit.

## POST-INSTALLATION CHECKLIST

- Overnight leak down test** — Recheck air pressure after the vehicle has been used for 24 hours. If the pressure has dropped more than 5 PSI, then there is a leak that must be fixed. Either fix the leak yourself or return to the installer for service.
- Air pressure requirements** — It is important to understand the air pressure requirements of the air spring system. Regardless of load, the air pressure should always be adjusted to maintain adequate ride height at all times while driving.
- Thirty-day or 500-mile test** — Recheck the air spring system after 30 days or 500 miles, whichever comes first. If any part shows signs of rubbing or abrasion, the source should be identified and moved, if possible. If it is not possible to relocate the cause of the abrasion, the air spring may need to be remounted. If professionally installed, the installer should be consulted. Check all fasteners for tightness.

# Product Use, Maintenance and Servicing

Minimum Recommended Pressure	Maximum Air Pressure
5 PSI	100 PSI

## MAINTENANCE GUIDELINES

### NOTE

*By following the steps below, vehicle owners will obtain the longest life and best results from their air springs.*

1. Check air pressure weekly.
2. Always maintain normal ride height. Never inflate beyond 100 PSI.
3. If you develop an air leak in the system, use a soapy water solution (1/5 liquid dish soap and 4/5 water) to check all air line connections and the inflation valve core before deflating and removing the air spring.



### CAUTION

FOR SAFETY AND TO PREVENT POSSIBLE DAMAGE TO THE VEHICLE, DO NOT EXCEED MAXIMUM GROSS VEHICLE WEIGHT RATING (GVWR), AS INDICATED BY THE VEHICLE MANUFACTURER. ALTHOUGH THE AIR SPRINGS ARE RATED AT A MAXIMUM INFLATION PRESSURE OF 100 PSI, THE AIR PRESSURE ACTUALLY NEEDED IS DEPENDENT ON LOAD AND GVWR.

4. Loaded vehicles require at least 25 PSI. A "loaded vehicle" refers to a vehicle with a heavy bed load, a trailer or both. Never exceed GVWR, regardless of air spring, air pressure or other load assist. The springs in this kit will support approximately 40 pounds of load (combined on both springs) for each 1 PSI of pressure. The required air pressure will vary depending on the state of the original suspension. Operating the vehicle below the minimum air spring pressure will void the Air Lift warranty.
5. When increasing load, always adjust air pressure to maintain normal ride height. Increase or decrease pressure from the system as necessary to attain normal ride height for optimal ride and handling. Remember that loads carried behind the axle (including tongue loads) require more leveling force (pressure) than those carried directly over the axle.
6. Always add air to springs in small quantities, checking the pressure frequently.
7. Should it become necessary to raise the vehicle by the frame, make sure the system is at minimum pressure (5 PSI) to reduce the tension on the suspension/ brake components. Use of on-board leveling systems do not require deflation or disconnection.
8. Periodically check the air spring system fasteners for tightness. Also, check the air springs for any signs of rubbing. Realign if necessary.
9. On occasion, give the air springs a hard spray with a garden hose to remove mud, sand, gravel or other debris.



## TUNING THE AIR PRESSURE

Pressure determination comes down to three things — level vehicle, ride comfort and stability.

### 1. Level vehicle

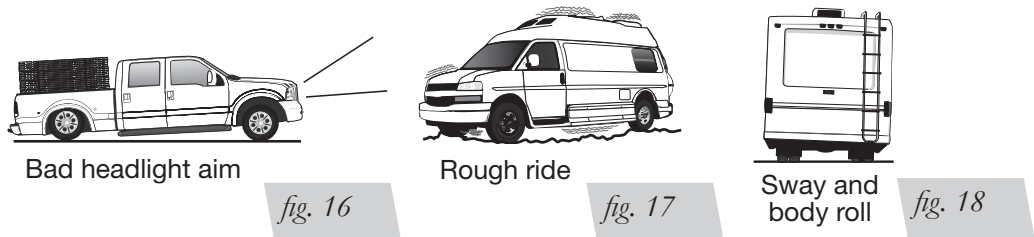
If the vehicle's headlights are shining into the trees or the vehicle is leaning to one side, then it is not level (Fig. 16). Raise the air pressure to correct either of these problems and level the vehicle.

### 2. Ride comfort

If the vehicle has a rough or harsh ride it may be due to either too much pressure or not enough (Fig. 17). Try different pressures to determine the best ride comfort.

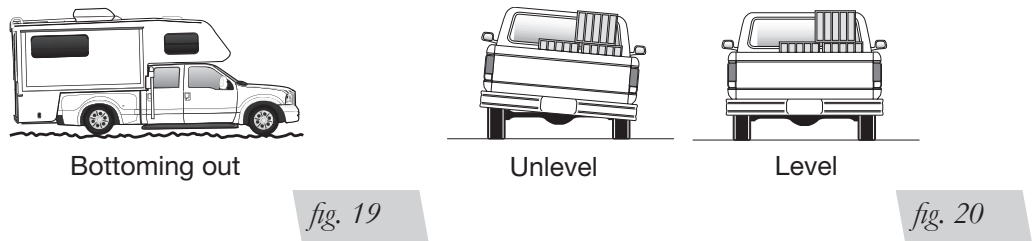
### 3. Stability

Stability translates into safety and should be the priority, meaning the driver may need to sacrifice a perfectly level and comfortable ride. Stability issues include roll control, bounce, dive during braking and sponginess (Fig. 18). Tuning out these problems usually requires an increase in pressure.



## GUIDELINES FOR ADDING AIR

1. Start with the vehicle level or slightly above.
2. When in doubt, always add air.
3. If the front of the vehicle dives while braking, increase the pressure in the front air bags, if equipped.
4. If it is ever suspected that the air bags have bottomed out, increase the pressure (Fig. 19).
5. Adjust the pressure up and down to find the best ride.
6. If the vehicle rocks and rolls, adjust the air pressure to reduce movement.
7. It may be necessary to maintain different pressures on each side of the vehicle. Loads such as water, fuel, and appliances will cause the vehicle to be heavier on one side (Fig. 20). As much as a 50 PSI difference is not uncommon.



# Troubleshooting Guide

PROBLEM	CAUSE	SOLUTION
System won't maintain pressure overnight.	Improperly installed air line, air line has holes or cracks.	Leak test the air line connections, the threaded connection into the air spring, and all fittings in the control system.
Air spring or air line leak.	Fitting seal or air line is compromised.	Check to make sure air lines are seated in connectors. Inspect fittings with soapy water. Trim hose or re-seal fitting. Ensure lines are cut straight.
Corner won't raise or air leak develops.	Look for a kink or fold in the air line.	Replace any air line that has been kinked.

## FREQUENTLY ASKED QUESTIONS

**Q. Will installing air springs increase the weight ratings of a vehicle?**

No. Adding air springs will not change the weight ratings (GAWR, GCWR and/or GVWR) of a vehicle. Exceeding the GVWR is dangerous and voids the Air Lift warranty.

**Q. Is it necessary to keep air in the air springs at all times and how much pressure will they need?**

For LoadLifter 5000, the recommended minimum air pressure is 5 PSI, but it can safely be run at zero air pressure.

**Q. Is it necessary to add a compressor system to the air springs?**

No. Air pressure can be adjusted with any type of compressor as long as it can produce sufficient pressure to service the springs. Even a bicycle tire pump can be used, but it's a lot of work.

**Q. How long should air springs last?**

If the air springs are properly installed and maintained they can last indefinitely.

**Q. Will raising the vehicle on a hoist for service work damage the air springs?**

No. The vehicle can be lifted on a hoist for short-term service work such as tire rotation or oil changes. However, if the vehicle will be on the hoist for a prolonged period of time, support the axle with jack stands in order to take the tension off of the air springs.

## Limited Warranty and Return Policy

Air Lift Company provides a limited lifetime warranty to the original purchaser of its Load Support products, that the products will be free from defects in workmanship and materials when used on cars and trucks as specified by Air Lift Company and under normal operating conditions, subject to the requirements and exclusions set forth in the full Limited Warranty and Return Policy that is available online at [www.airliftcompany.com/warranty](http://www.airliftcompany.com/warranty).

For additional warranty information contact Air Lift Company customer service.

## Replacement Part Information

If replacement parts are needed, contact the local dealer or call Air Lift customer service at **(800) 248-0892**. Most parts are immediately available and can be shipped the same day.

**Contact Air Lift Company customer service at (800) 248-0892 first if:**

- Parts are missing from the kit.
- Need technical assistance on installation or operation.
- Broken or defective parts in the kit.
- Wrong parts in the kit.
- Have a warranty claim or question.

**Contact the retailer where the kit was purchased:**

- If it is necessary to return or exchange the kit for any reason.
- If there is a problem with shipping if shipped from the retailer.
- If there is a problem with the price.

## Contact Information

<b>Mailing address</b>	P.O. Box 80167 Lansing, MI 48908-0167
<b>Shipping address for returns</b>	2727 Snow Road Lansing, MI 48917
<b>Phone</b>	Toll free: (800) 248-0892 International: (517) 322-2144
<b>Email</b>	<a href="mailto:service@airliftcompany.com">service@airliftcompany.com</a>
<b>Web address</b>	<a href="http://www.airliftcompany.com">www.airliftcompany.com</a>

## Need Help?

Contact Air Lift Company customer service department by calling (800) 248-0892.

For calls from outside the USA or Canada, dial (517) 322-2144.



*Thank you for purchasing Air Lift products — the professional installer's choice!*

Air Lift Company • 2727 Snow Road • Lansing, MI 48917 or P.O. Box 80167 • Lansing, MI 48908-0167  
Toll Free (800) 248-0892 • Local (517) 322-2144 • Fax (517) 322-0240 • [www.airliftcompany.com](http://www.airliftcompany.com)

Printed in the USA  
JJC-0117