

RideCONTROL

P/N 59512

by



MN-262
(061108)
ECR 7136

NEVER EXCEED THE MANUFACTURERS MAXIMUM GROSS VEHICLE WEIGHT RATING.

DO NOT INSTALL THE AIR SPRING AS THE PRIMARY SUSPENSION SPRING. THIS PRODUCT IS INTENDED FOR LOAD ASSIST ONLY.

ALWAYS USE SAFETY STANDS, WEAR EYE PROTECTION, AND USE PROPER TOOLS WHEN INSTALLING THE RIDE CONTROL KIT.

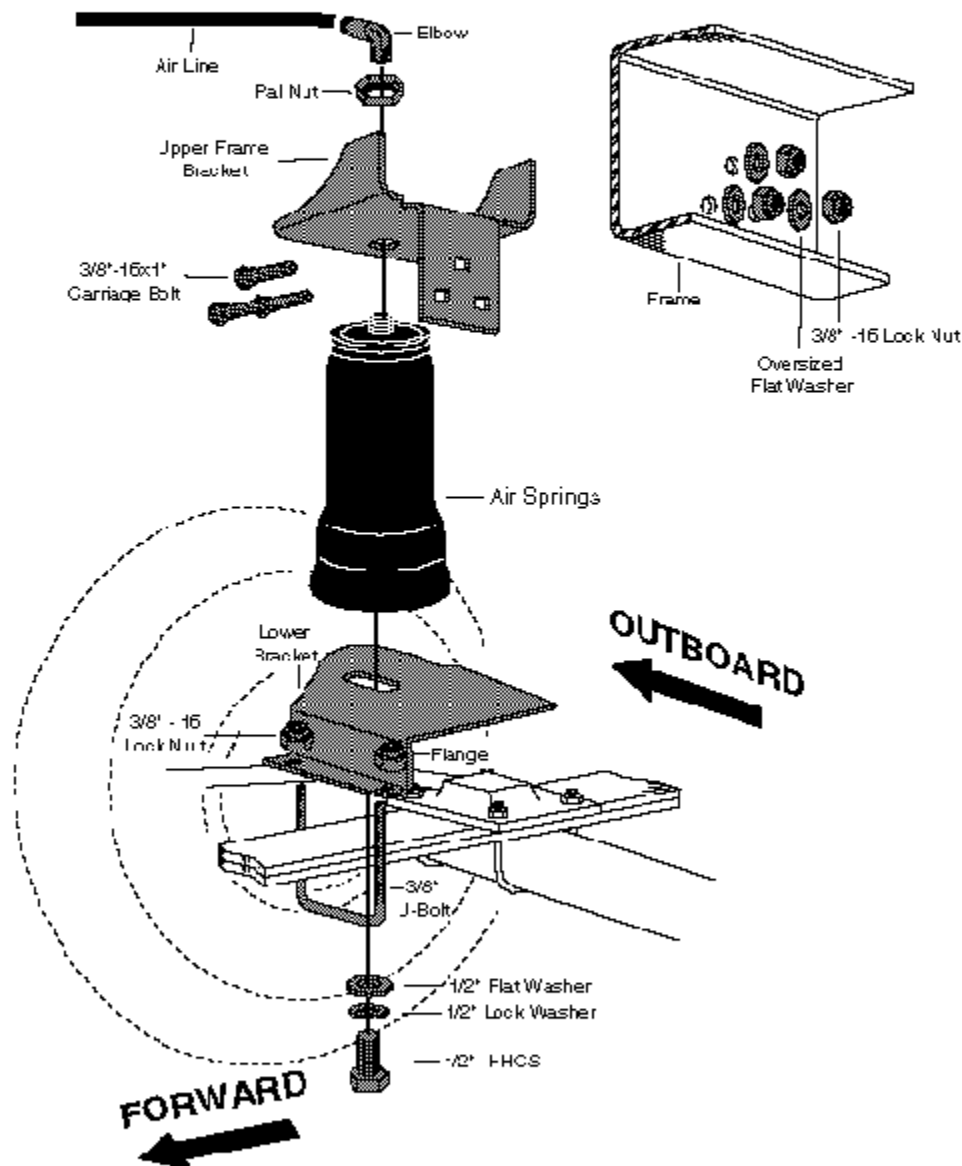


FIGURE 1

WARNING - DO NOT INFLATE ASSEMBLY WHEN IT IS UNRESTRICTED. ASSEMBLY MUST BE RESTRICTED BY SUSPENSION OR OTHER ADEQUATE STRUCTURE. DO NOT INFLATE BEYOND 100 P.S.I. IMPROPER USE OR OVER INFLATION MAY CAUSE ASSEMBLY TO BURST CAUSING PROPERTY DAMAGE OR SEVERE PERSONAL INJURY.

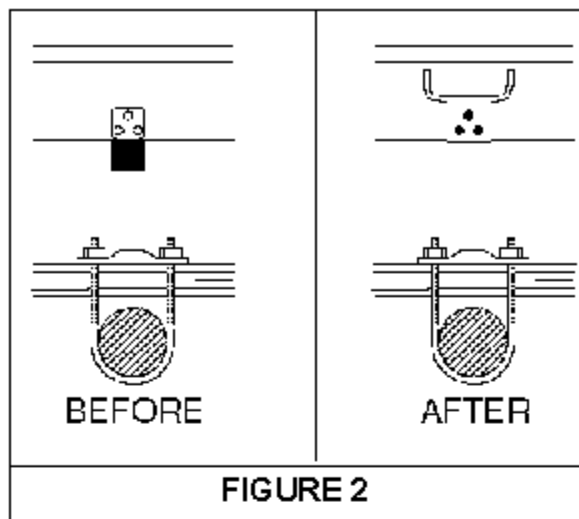


FIGURE 2

NORMAL RIDE HEIGHT:

Normal ride height (no load) - This is defined as the distance between the bottom of the bumper and a flat road surface with the vehicle in an "as delivered condition" (without a load, i.e. tool box, camper, etc.). Measurements should be taken before beginning the installation. The distance from the fender well to the center point of the hub should be recorded. All of our kits are designed to be installed and operate at normal ride height.

1. Jack up front of vehicle or raise on hoist. Note: Remove front wheels and support frame with safety stands.
2. Using a cutting torch or hammer and chisel, cut retaining rivets and remove axle jounce bumper (Figure 2). Insure that all gas and hydraulic lines and electrical wiring are moved aside before removing rivets.

Sleeve diameter grows to 4.6" maximum at high pressure. Take this diameter into consideration when checking for possible interference in the mounting area. You must have sufficient clearance around the sleeve when it is inflated.

Failure to maintain minimum air pressure of 10 p.s.i. in the air sleeve, bottoming out or over extension will void the warranty.

3. Align the upper bracket holes with existing holes where the jounce bumper bracket was (Figure 2). Attach the upper bracket to the frame using carriage bolts, oversized flat washers and lock nuts (Figure 1).
4. Assemble the lower bracket to the bottom of the air spring using the 1/2" flat washers, lock washers and bolt. Leave loose for later adjustment. Flange of the lower bracket should face forward (Figure 1). These are left and right hand brackets. Edge side faces inboard.
5. Set the assembly on the leaf spring and attach top of the air spring to the upper bracket using the Pal nut (Figure 1). Tighten to 15 ft.lbs.
6. Install the air fitting into the air spring finger tight plus two turns. **You may use an open end wrench being careful to tighten on the metal hex nut only. DO NOT OVER TIGHTEN.**
7. Align the lower bracket with the upper bracket so that the sleeve is in line with the bracket. Secure the lower bracket to the leaf springs using the U-bolts and lock nuts. Tighten to 20 ft-Lbs.
8. Select a location for the inflation valves in the bumper area or rocker panel flange ensuring that each valve will be protected and accessible with an air hose

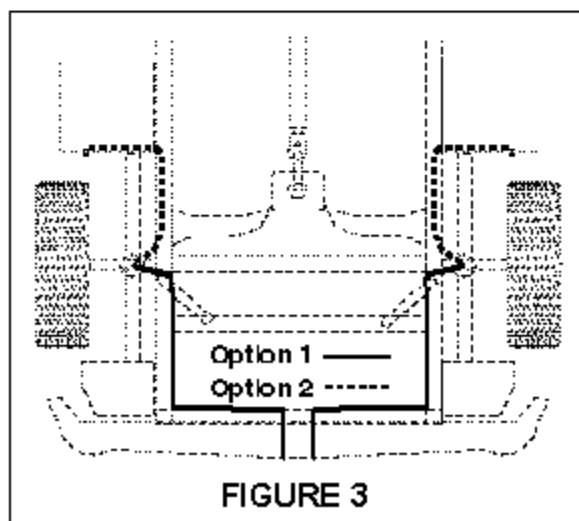


FIGURE 3

(Figure 3).

9. Use a standard tube cutter, a razor blade, or very sharp knife to cut the air line in two equal lengths long. A clean square cut will ensure against leaks. Drill 5/16" hole for inflation valve and mount as illustrated. Rubber washer on outside is for weather seal (Figure 4).
10. Route air line along frame to desired inflation valve location (Figure 4). Attach air line to chassis with the provided plastic straps.

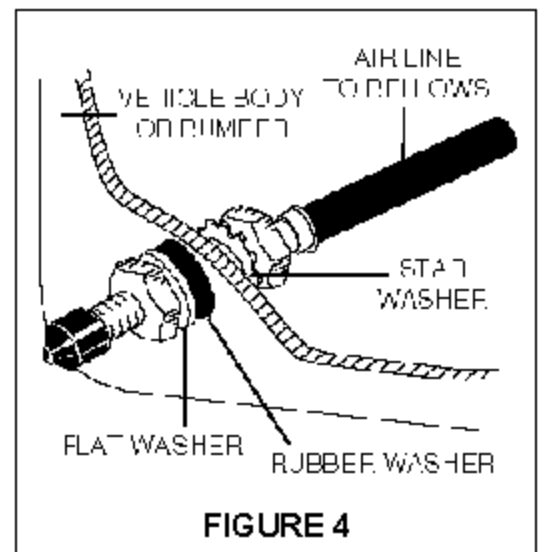
TO PREVENT AIR LINE FROM MELTING, KEEP IT AT LEAST TWELVE INCHES FROM EXHAUST SYSTEM.

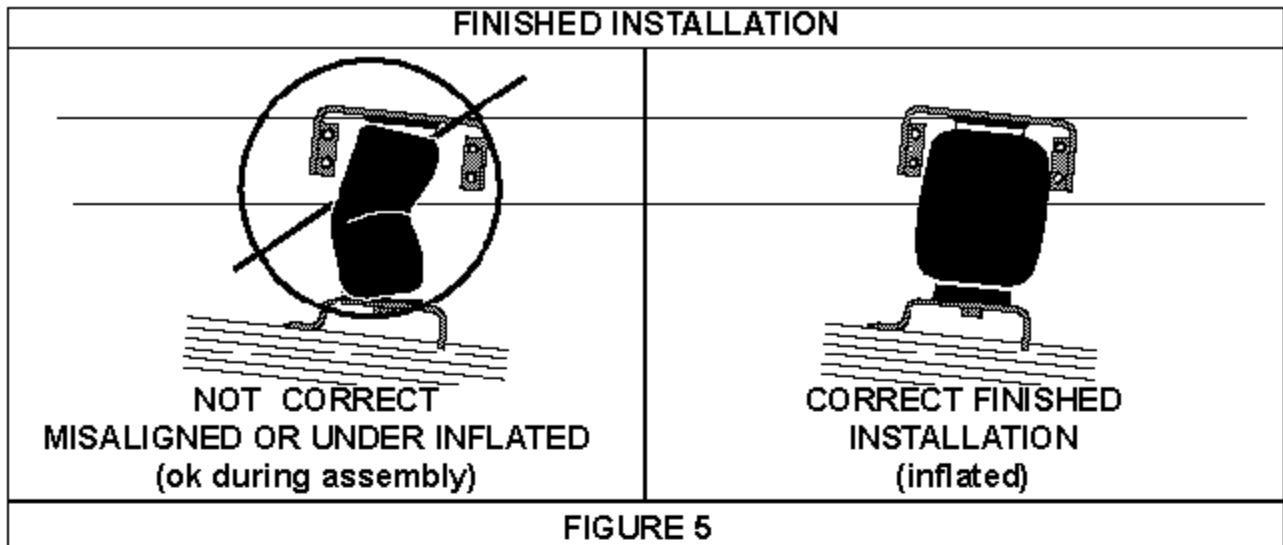
11. Cut off excess air line squarely. Install the air line into the fitting. This is a self locking fitting. Push and slightly turn the cut end of the air line into the fitting as far as it will go. You will hear/feel a definite "click" when the air line is seated. Air line should go in approximately 3/4 inch. The air line is now installed.
12. **VERY IMPORTANT** - With the bottom still loose, inflate the sleeve to approximately 10 p.s.i. by using the slotted adjustments, align the sleeve so that there is a symmetrical cushion of air around the lower base of the sleeve to prevent side load wear. Tighten the lower sleeve mounting bolt to 10 ft-lbs.
13. Repeat process for other side.
14. **Sleeve diameter grows to 4.6" at maximum inflation, check to be sure there is sufficient clearance around the sleeve when it is inflated. Move the steering wheel lock to lock and check for clearance to the linkage.**

1981 - 1987 MODELS


It will be necessary to slightly bend brake line bracket away from the air springs to gain sufficient clearance.

15. Inflate to 30 p.s.i. Check all fittings and valve core with a soapy water solution for leaks. Check once again to be sure you have proper clearance around the sleeve. When the sleeve is inflated there must be sufficient clearance all around the sleeve.
16. Recheck air pressure after 24 hours. A 2-4 p.s.i. loss after initial installation is normal. If pressure has dropped more than 5 lbs. re-test for leaks with soapy water solution. Please read and follow the Maintenance and Operating Tips on page 4. Check to see that the sleeve rolls back down over the bottom piston after the vehicle is lowered.





FAILURE TO MAINTAIN MINIMUM PRESSURE, BOTTOMING OUT, OR OVER EXTENSION WILL VOID THE WARRANTY

MAINTENANCE/OPERATION	
MINIMUM AIR PRESSURE 10 P.S.I.	MAXIMUM AIR PRESSURE 100 P.S.I.
MAINTENANCE	
<ol style="list-style-type: none"> 1. Check pressure weekly. 2. Always maintain at least 10 p.s.i. air pressure to prevent chafing. 3. If you develop an air leak in the system, use a soapy water solution to check all air line connections and the inflation valve core before removing sleeve. 	
OPERATING TIPS	
<ol style="list-style-type: none"> 1. Inflate your air springs to 60 p.s.i. before adding the payload. After vehicle is loaded, adjust your air pressure to level the vehicle and for ride comfort. 2. When you are carrying a payload it will be helpful to increase the tire inflation pressure in proportion to any overload condition. We recommend a 2 p.s.i. increase above normal (not to exceed tire manufacturer maximum) for each 100 lbs. total overload on the axle. 	
NOTE	
<ol style="list-style-type: none"> 1. IMPORTANT: For your safety and to prevent possible damage to your vehicle, do not exceed maximum load recommended by the vehicle manufacturer. Although your air springs are rated at maximum inflation pressure of 100 p.s.i., this pressure may represent too great of load on some vehicles. Check your vehicle owner's manual and do not exceed maximum loads listed for your vehicle. When inflating your Air Lift sleeves, add pressure in small quantities, checking pressure frequently during inflation. The sleeves require much less air volume than a tire and therefore inflate much quicker. 2. Should it become necessary to raise the vehicle by the frame, make sure the system is at minimum pressure (10psi) to reduce the tension on suspension/brake components. Check to see that the sleeve rolls back down over the bottom piston after the vehicle is lowered (Figure 5). If sleeve fails to roll back down over the piston, add air pressure until sleeve "pops" back over piston (do not exceed 100 p.s.i.). 	
	<p><i>Thank you for purchasing Air Lift Products</i></p> <p>AIR LIFT COMPANY P.O. BOX 80167 Lansing, MI 48908-0167</p>
FOR TECHNICAL ASSISTANCE CALL 1-800-248-0892	
Caution: DO NOT EXCEED THE VEHICLE MANUFACTURERS MAXIMUM GROSS VEHICLE WEIGHT RATING.	



Product Use Information

Frequently asked questions

Q. Will installing air springs increase the weight ratings of a vehicle?

No. Adding air springs will not change the weight ratings (GAWR, GCWR and/or GVWR) of a vehicle. Exceeding the GVWR is dangerous and voids the Air Lift warranty.

Q. Is it necessary to keep air in the air springs at all time and how much pressure will they need?

The minimum air pressure should be maintained at all times. The minimum air pressure keeps the air spring in shape, ensuring that it will move throughout its travel without rubbing or wearing on itself.

Q. Is it necessary to add a compressor system to the air springs?

No. Air pressure can be adjusted with any type of compressor as long as it can produce sufficient pressure to service the springs. Even a bicycle tire pump can be used, but it's a lot of work.

Q. How long should air springs last?

If the air springs are properly installed and maintained they can last indefinitely.

Q. Will raising the vehicle on a hoist for service work damage the air springs?

No. The vehicle can be lifted on a hoist for short-term service work such as tire rotation or oil changes. However, if the vehicle will be on the hoist for a prolonged period of time, support the axle with jack stands in order to take the tension off of the air springs.

Tuning the air pressure

Pressure determination comes down to three things — level vehicle, ride comfort, and stability.

1. Level vehicle

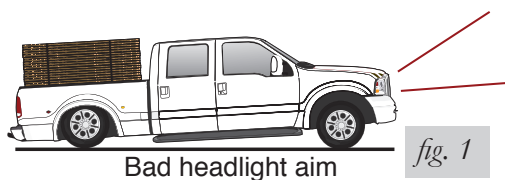
If the vehicle's headlights are shining into the trees or the vehicle is leaning to one side, then it is not level (fig. 1). Raise the air pressure to correct either of these problems and level the vehicle.

2. Ride comfort

If the vehicle has a rough and harsh ride it may be due to either too much pressure or not enough (fig. 2). Try different pressures to determine the best ride comfort.

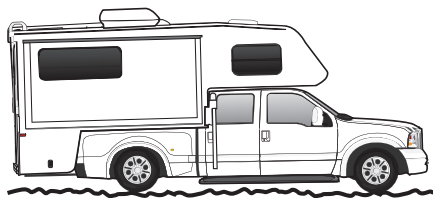
3. Stability

Stability translates into safety and should be the priority, meaning the driver may need to sacrifice a perfectly level and comfortable ride. Stability issues include roll control, bounce, dive during braking and sponginess (fig. 3). Tuning out these problems usually requires an increase in pressure.



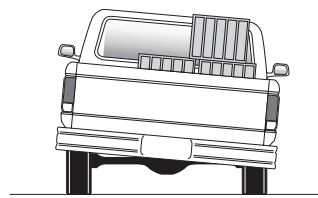
Guidelines for adding air:

1. Start with the vehicle level or slightly above.
2. When in doubt, always add air.
3. For motorhomes, start with 50-100 PSI in the rear because it can be safely assumed that it is heavily loaded.
4. If the front of the vehicle dives while braking, increase the pressure in the front air bags, if equipped.
5. If it is ever suspected that the air bags have bottomed out, increase the pressure (fig. 4).
6. Adjust the pressure up and down to find the best ride.
7. If the vehicle rocks and rolls, adjust the air pressure to reduce movement.
8. It may be necessary to maintain different pressures on each side of the vehicle. Loads such as water, fuel, and appliances will cause the vehicle to be heavier on one side (fig. 5). As much as a 50 PSI difference is not uncommon.

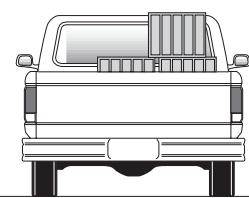


Bottoming out

fig. 4



Unlevel



Level

fig. 5

Warranty and Returns Policy

Air Lift Company warrants its products, for the time periods listed below, to the original retail purchaser against manufacturing defects when used on catalog-listed applications on cars, vans, light trucks and motorhomes under normal operating conditions for as long as Air Lift manufactures the product. The warranty does not apply to products that have been improperly applied, improperly installed, used in racing or off-road applications, used for commercial purposes, or which have not been maintained in accordance with installation instructions furnished with all products. The consumer will be responsible for removing (labor charges) the defective product from the vehicle and returning it, transportation costs prepaid, to the dealer from which it was purchased or to Air Lift Company for verification.

Air Lift will repair or replace, at its option, defective products or components. A minimum \$10.00 shipping and handling charge will apply to all warranty claims. Before returning any defective product, you must call Air Lift at (800) 248-0892 in the U.S. and Canada (elsewhere, (517) 322-2144) for a Returned Materials Authorization (RMA) number. Returns to Air Lift can be sent to: Air Lift Company • 2727 Snow Road • Lansing, MI • 48917.

Product failures resulting from abnormal use or misuse are excluded from this warranty. The loss of use of the product, loss of time, inconvenience, commercial loss or consequential damages is not covered. The consumer is responsible for installation/reinstallation (labor charges) of the product. Air Lift Company reserves the right to change the design of any product without assuming any obligation to modify any product previously manufactured.

This warranty gives you specific legal rights and you may also have other rights that vary from state-to-state. Some states do not allow limitations on how long an implied warranty lasts or allow the exclusion or limitation of incidental or consequential damages. The above limitation or exclusion may not apply to you. There are no warranties, expressed or implied including any implied warranties of merchantability and fitness, which extend beyond this warranty period. There are no warranties that extend beyond the description on the face hereof. Seller disclaims the implied warranty of merchantability. (Dated proof of purchase required.)

Air Lift 1000	Lifetime Limited
RideControl	Lifetime Limited
SlamAir	Lifetime Limited
LoadLifter 5000*	Lifetime Limited
Air Lift Performance**	1 Year Limited

Load Controller (I)	2 Year Limited
Load Controller (II)	2 Year Limited
SmartAir	2 Year Limited
Wireless AIR	2 Year Limited
Other Accessories	2 Year Limited

**formerly LifeStyle & Performance and EasyStreet *formerly SuperDuty

Thank you for purchasing Air Lift products! For technical support, please call (800) 248-0892.
 Air Lift Company • P.O. Box 80167, MI 48908-0167 • (517) 322-2144 • Fax: (517) 322-0240 • www.airliftcompany.com