



Installation Instructions BX1006 Acura TL 1999-2001 (R)

Serial No.

The plastic fascia and metal bumper need to be removed for installation of the baseplate. The inner grill molding needs to be trimmed. All holes need to be drilled.

1. Open the hood and remove the top push pins which are between the headlights.
2. Remove the hex head screws which are directly in front of the front tires fastening the ends of the bumper fascia into each fender.
3. Remove the hex bolts and plastic push pins on the bottom of the bumper fascia. Now remove the bumper fascia from the vehicle
4. The metal bumper can be removed next. Remove the hex head bolt at the center of the bumper. On each end of the bumper are three bolts (two on the top and one on the bottom) which need to be removed also. Pull the bumper from the car.
5. Place the baseplate on a flat surface and set the metal bumper on the baseplate so the back of the bumper is positioned against the front of the braces on the receiver tube. Clamp the two pieces together so they are centered. Mark and drill the four holes for the braces. Use the 3/8" bolts and lock washers with the 3/8" wire nut plates to fasten the two pieces together. Insert the wire nut plates through each side of the bumper. Apply Loctite to each bolt but do not tighten.
6. The inner plastic surrounding the radiator needs to be trimmed before the bumper and baseplate can be placed back onto the car. Hold the bumper and baseplate up to its original position and mark the area which needs to be trimmed.
7. Bolt the bumper back onto the car positioning the side plates (of the baseplate) on the outside of the cars frame. Once the metal bumper is replaced and the baseplate is correctly positioned, torque bolts according to the chart in the General Instruction Sheet.
8. The three holes for each side of the baseplate need to be drilled next. The bottom hole in the front on each side will not be used. Use 3/8" hardware for each bolt as shown in the drawing on page 2. The 3/8" wire nut for the top back hole can be inserted in the open area on the bottom of the frame. Once all bolts and nuts have been started, tighten and torque accordingly.
9. Replace the fascia to the vehicle.
10. Install the tow bar and safety cables according to the instructions included in their packages.
11. DEALER OR INSTALLER: BE CERTAIN THE USER RECEIVES THE INSTRUCTION SHEET.



Automatic

Tools Required

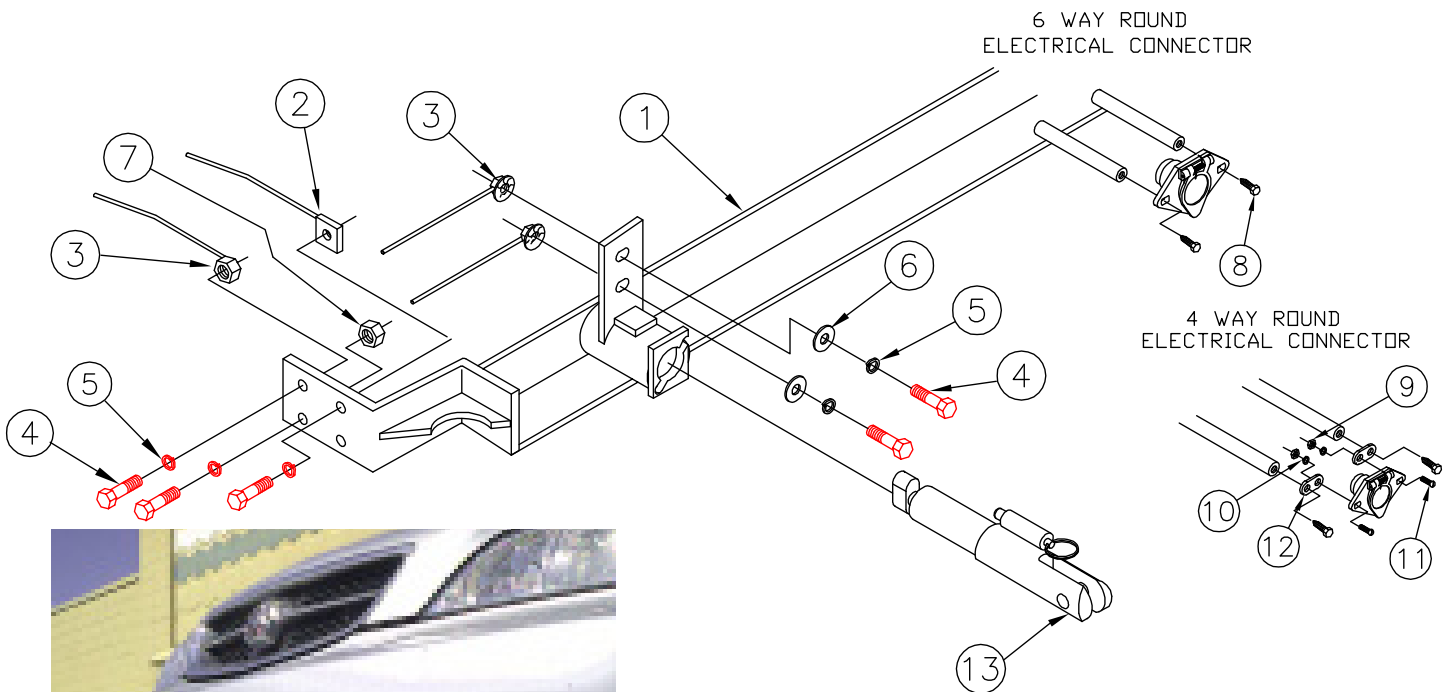
8MM Wrench
9/16" Wrench
3/8" Drill Bit

10MM Wrench
9/16" Socket
Center Punch

12MM Wrench
Phillips Screw Driver
Utility Knife

Parts List

Ref. No.	Qty.	Part No.	Description
1	1	61-5470	Weldment, Baseplate BX1006
2	2	61-5208	3/8" Wire Nut Plate
3	6	61-4978	3/8" Wire Nut
4	10	201-0368	3/8"-16 x 1 1/4" Hex Bolt, Grade 5
5	10	203-0010	3/8" Lock Washer
6	4	203-0003	3/8" Flat Washer
7	2	202-0003	3/8" Hex Nut, ZP
8	2	201-0979	#12-14 x 1" Self Drilling Screw, ZP
9	2	202-0047	#10-32 Hex Nut
10	2	203-0054	#10 Lock Washer
11	2	201-0192	#10-32 x 1/2" Slot, Round Head Screw
12	2	101-5822	Adapter, 4 Way Connector
13	2	62-3470	Att Tab Assy, Rem, LF/LB, 1 Hole (Not Shown)
	2	226-0046	Baseplate Safety Cable, 36" CL III (Not Shown)
	2	229-0359	Quicklink, 3/8, ZP (Not Shown)
	2	290-0437	Receiver, Cap Plug (BLK) (Not Shown)



BOLTS, WASHERS, NUTS AND NUT PLATES ARE SHOWN ON PASSENGER SIDE ONLY. THE BOLT BAG PROVIDES HARDWARE FOR BOTH SIDES.