



Baseplate Installation Instructions

BX1515 2010-13 Buick Lacrosse Installation Instructions

Serial Number

Please read BOTH these Installation Instructions and the General Instructions before attempting to install or operate this equipment.

- Blue Ox® towing products and accessories are intended to be installed by Blue Ox® Dealers who are familiar with our products and have the equipment necessary and knowledge to do “fit work”. When necessary Blue Ox® Dealers can be found at www.blueox.com or by contacting our Customer Care Department at (402) 385-3051.
- Many Blue Ox® baseplates are designed to use existing holes and hardware to mount the baseplate to the towed vehicle. Even though bolts are there, do not assume they are adequate for baseplate mounting. Always use hardware supplied in the hardware kit and existing hardware specified in the Baseplate Installation Instructions.

Attachment Tab Height: 14”
Attachment Tab Width: 25”

Bolt Torque Specifications
Torque in Foot-Pounds for Metric Bolts

Bolt Size	Grade 8.8	Grade 10.9
6MM	6	8
8MM	16	22
10MM	31	40
12MM	54	70
14MM	89	117

Confirm the towability and pre-towing procedures for your vehicle with the owner’s manual or contact the vehicle’s manufacturer for specific towing procedures.

Do not use the towed vehicle for storing luggage, equipment, etc. This may cause you to exceed the towing capacity of the tow bar, baseplate, and its accessories.

Bolt Torque Specifications
Torque in Foot-Pounds for Inch Bolts

Bolt Size	Grade 5	Grade 8
1/4”	10	14
5/16”	19	29
3/8”	33	47
7/16”	54	78
1/2”	78	119
5/8”	154	230



If the front of your vehicle looks different than this, call us at (402) 385-3051.

! WARNING

Failure to read and follow these instructions could result in separation of the towed vehicle from the tow bar, causing property damage, loss of towed vehicle, personal injury or death.

BX1515

2010-13 Buick Lacrosse

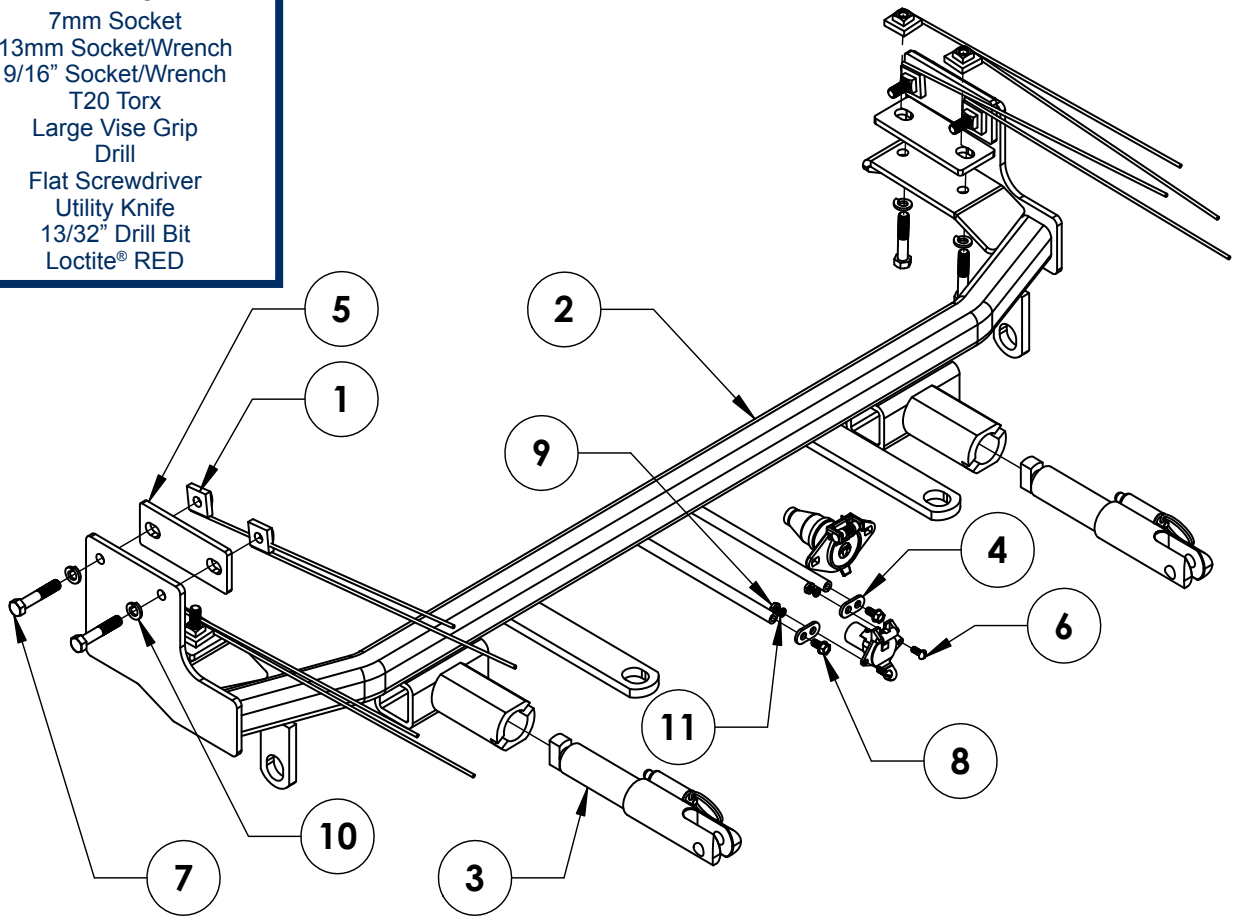
Installation Instructions

Parts List

Ref. No.	Qty.	Part #	Description
1	8	61-5208	Weldment, Nut Plate, 1/4 X 1 X 1, 3/8 with 14" Wire
2	1	61-6744	Weldment, Baseplate, BX1515
3	2	62-3469	Att Tab Assembly, Rem, SF/LB, 1 Hole
4	2	101-5822	Adapter, 4 Way Connector
5	4	101-7542	Backing Plate, BX1515
6	2	201-0192	10-32 X 1/2 Slot, Round Head Screw
7	8	201-0444	3/8-16 X 2 Hex Bolt Grade 5, ZP
8	2	201-0979	#12-14 x 1" Self Drilling Screw, ZP
9	2	202-0047	#10-32 Hex Nut
10	8	203-0010	3/8 Lock Washer
11	2	203-0054	#10 Lock Washer
12	2	226-0046	Baseplate Safety Cable, 36" CL III (Not shown)
13	2	229-0359	Quicklink, 3/8, ZP (Not shown)
14	2	290-0437	Receiver, Cap Plug, Black (Not shown)

Tools Required

7mm Socket
 13mm Socket/Wrench
 9/16" Socket/Wrench
 T20 Torx
 Large Vise Grip
 Drill
 Flat Screwdriver
 Utility Knife
 13/32" Drill Bit
 Loctite® RED



Important:

Use only genuine factory replacement parts on your baseplate. Do **NOT** substitute homemade or non-typical parts. If a bolt is lost or in need of replacement, for your safety and the preservation of your baseplate, be sure to use a replacement bolt of the same grade (In most cases it will be Grade 5, please reference the parts list above). Replacement parts may be ordered through your nearest Blue Ox® Dealer or Distributor. Failing to follow and/or altering these installation instructions in either installation or required equipment will void the manufacturer's warranty. Towing behind a non-motorized vehicle will void the warranty.

BX1515

2010-13 Buick Lacrosse

Installation Instructions

Attachment Tabs: Due to the design of the removable tabs, the RangeFinderII and Ambassador tow bars can not be used. Adapters, except the BX8833 and BX88151, can not be used with this baseplate.

Installation Notes: The fascia, headlight and air baffle are removed for installation. Drilling is required.

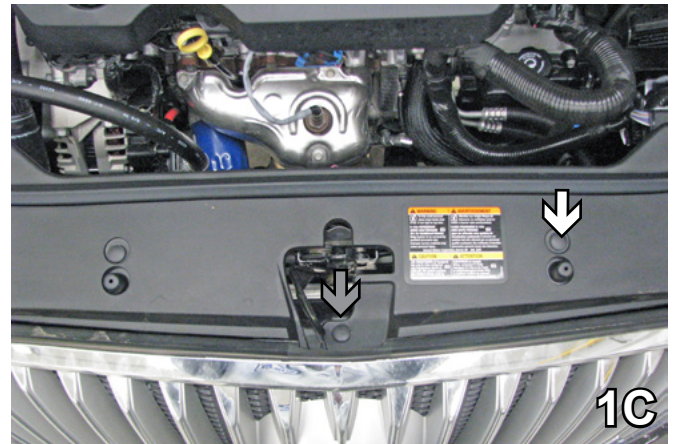
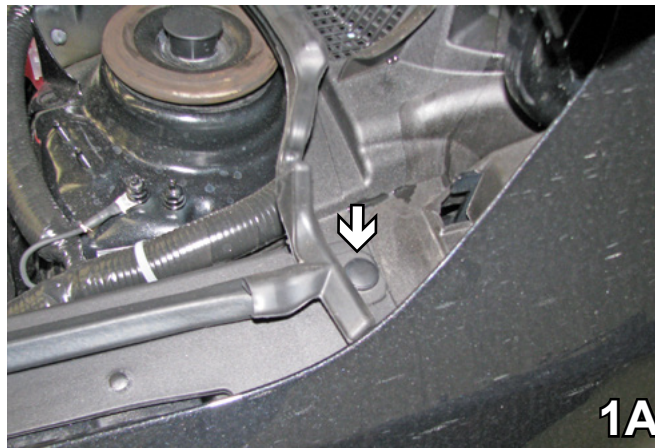
The dimensional variations between otherwise identical vehicles can be considerable. While the baseplate was designed for easy installation, it may be necessary to tailor the baseplate slightly to compensate for auto manufacturer's tolerances. These minor adjustments may include filing a hole slightly, bending electrical rods or bending end plates.

The BX8848 4-Diode Wiring Kit is recommended for this vehicle.

Do not use the towed vehicle for storing luggage, equipment, etc. This may cause you to exceed the towing capacity of the tow bar, baseplate, and its accessories.

Handling of some cosmetic parts when installing this product may require the use of protective covers, rags, specialty tools, etc. to prevent damage.

Installation Instructions:

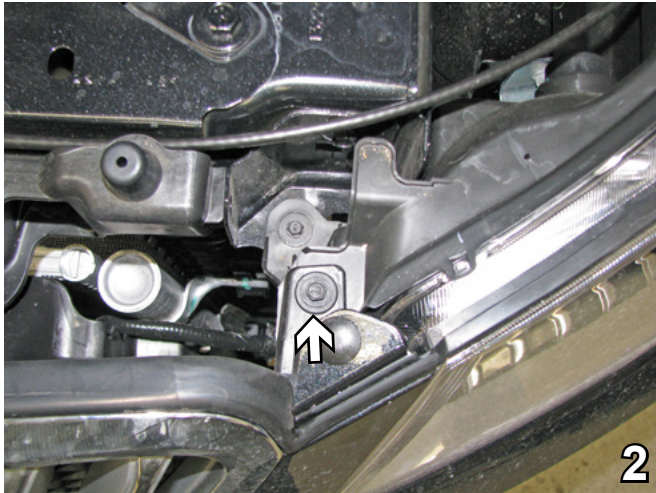


1. Remove six push pins from the plastic piece covering the top of the under carriage with a flat screwdriver. Three on each side. And another one from the exact center (gray arrow). Set the U-shaped plastic piece and the push pins aside for later reinstallation.

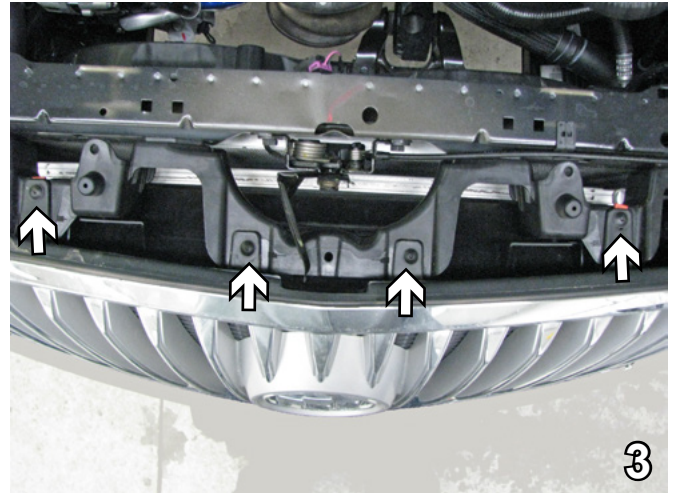
BX1515

2010-13 Buick Lacrosse

Installation Instructions



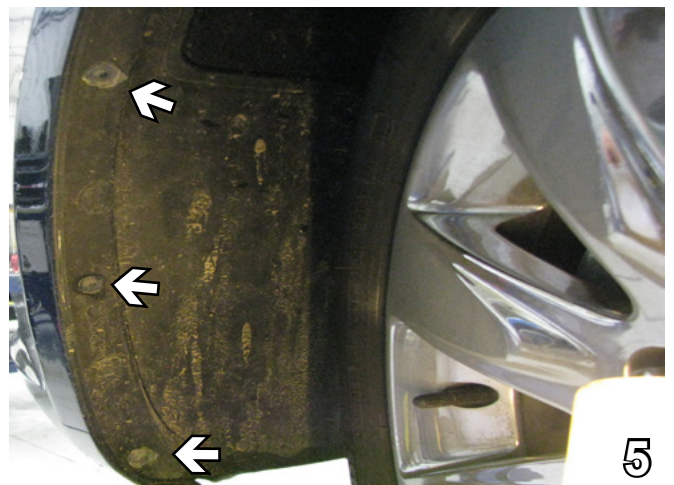
2. Underneath the plastic covering use a 7MM socket to remove one bolt in the corner. Do this to both sides of the vehicle. Set bolts aside to be reinstalled later.



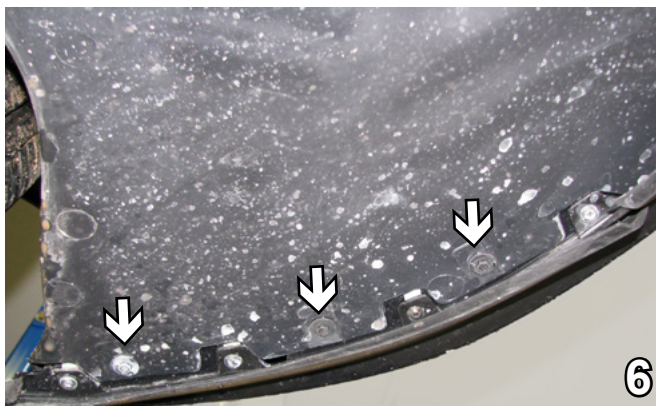
3. Using a T20 Torx remove the four screws from under the center front of the fascia. Set screws aside for later reinstallation.



4. Forward of the front tire up above, use a 7MM socket to remove one bolt. Do this to both sides. Set the bolts aside to be reinstalled later.



5. Using a T20 Torx, remove the three screws on the edge of the fascia. Do this to both sides. Set aside for later reinstallation.

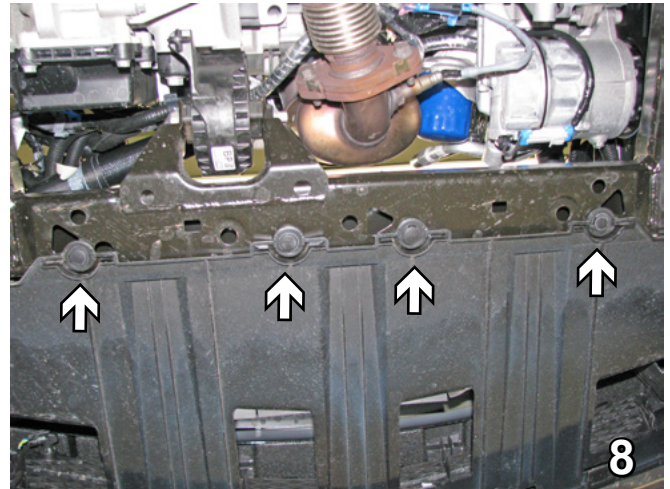
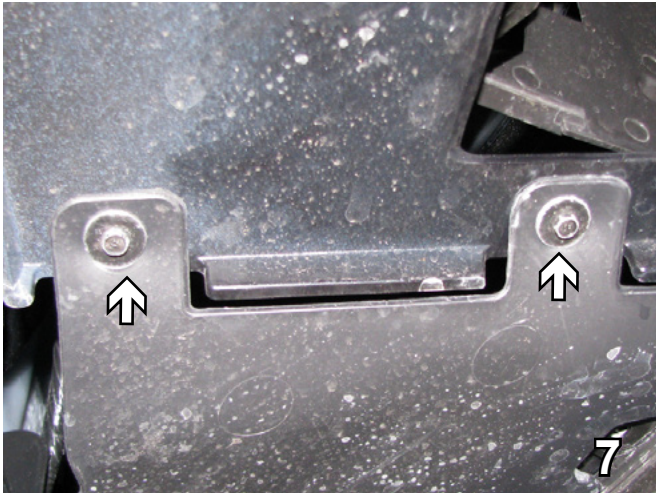


6. Using a 7MM socket, remove three bolts from underneath the fascia in front of the tires. Do this to both sides. Set bolts aside to be reinstalled later.

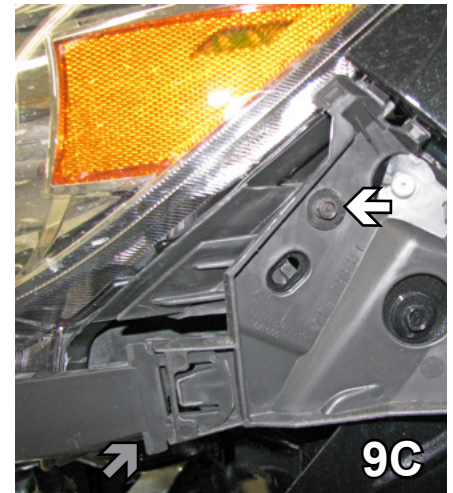
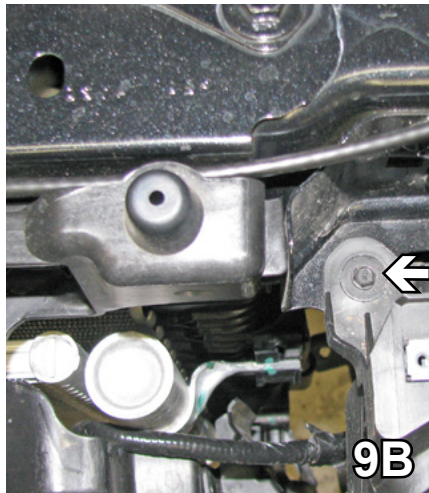
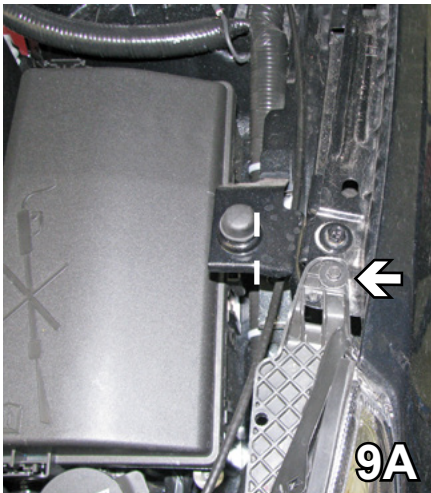
BX1515

2010-13 Buick Lacrosse

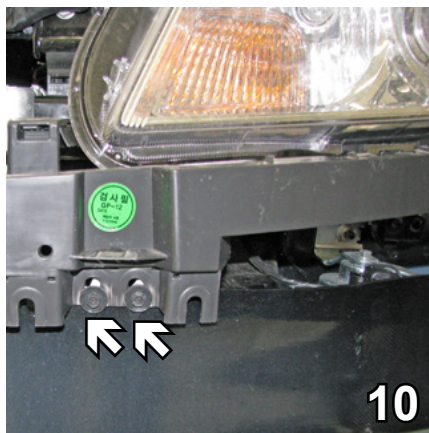
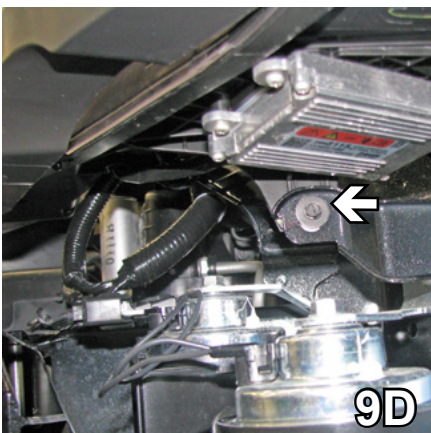
Installation Instructions



7. Using a 7MM socket, remove two hex bolts from underneath the fascia. Do this to both sides. Set aside bolts for later reinstallation.
8. Remove four push pins from underneath the fascia. Set aside push pins until later reinstallation.

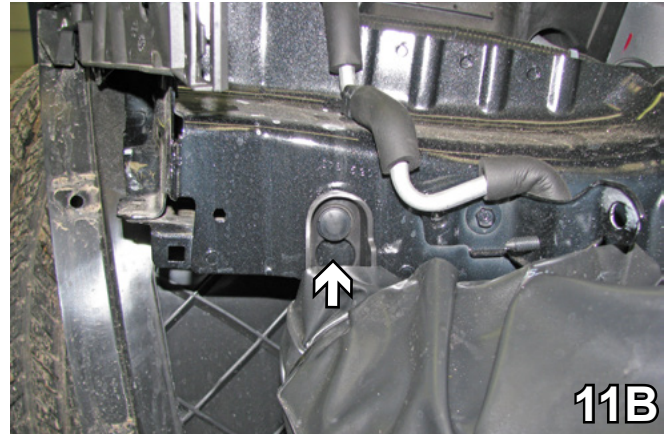
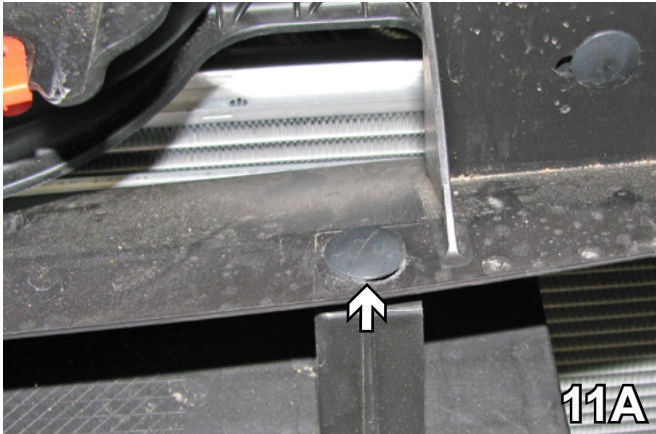


9. Using a 7MM socket, remove one bolt from the top outside corner of the headlight (9A), one from the top inside (9B), one from the side (9C) and one underneath (9D). Remove the plastic cover across the front underneath the headlights by unsnapping on both sides (grey arrow 9C). Do this to both sides. Set aside until later reinstallation.

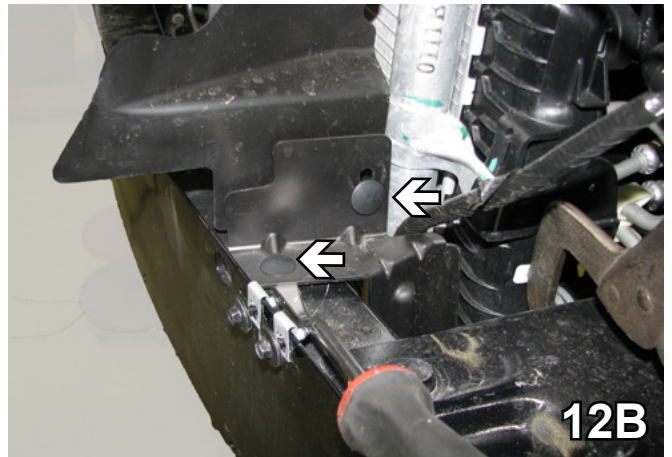
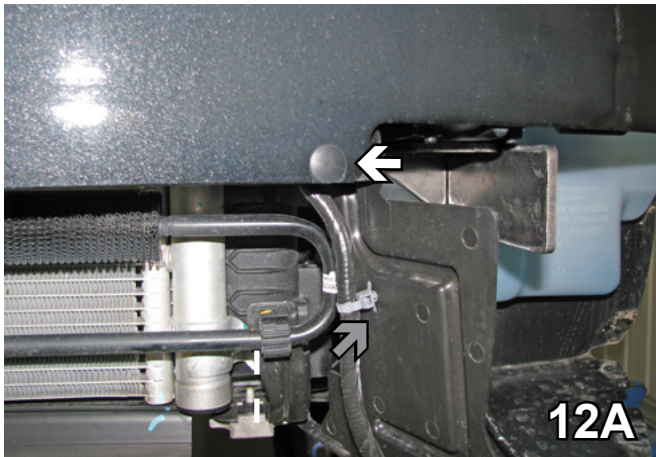


10. Using a 7MM socket, remove the two bolts below the headlights. Lift the headlights off and set up on top. Do this to both sides. Set aside bolts until later reinstallation.

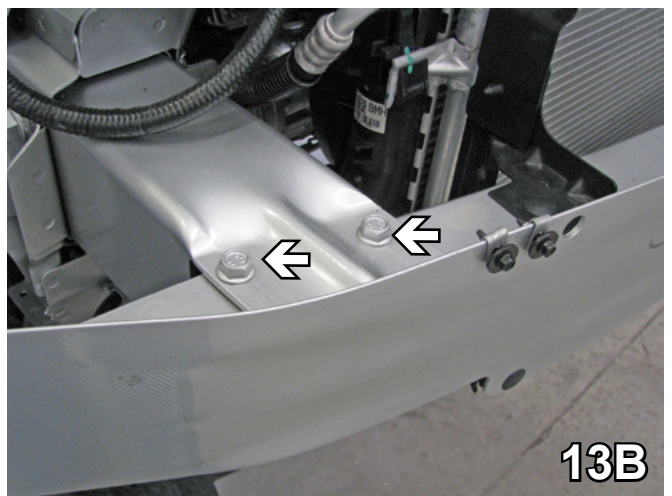
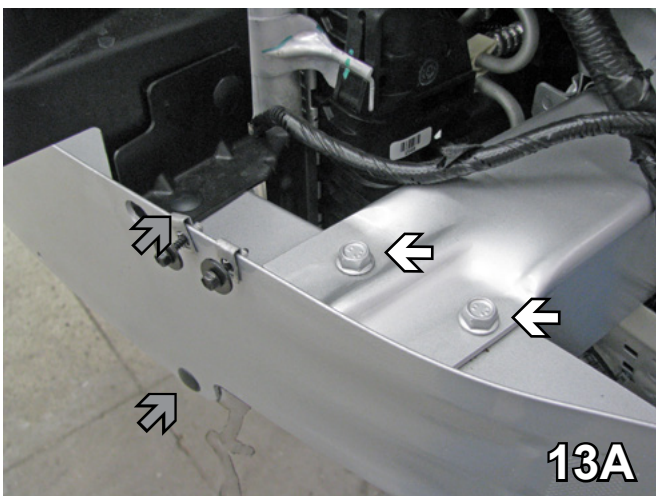
BX1515
2010-13 Buick Lacrosse
Installation Instructions



11. Remove the push pin on the right side of the air baffle. Underneath the headlight remove another push pin. Set air baffle and push pins aside until later reinstallation.



12. Disconnect the line attached to the plastic guard (gr. Remove one Christmas tree pin on top holding the guard and two up on the side. Slide the plastic down and off. Do this to both sides. Set aside plastic and pins until later reinstallation.

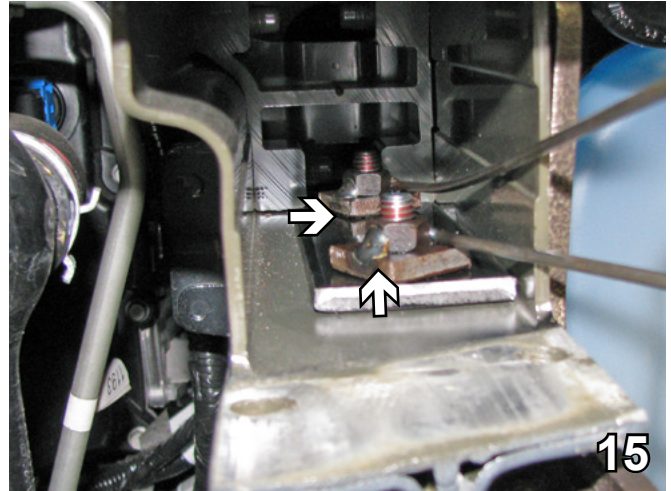
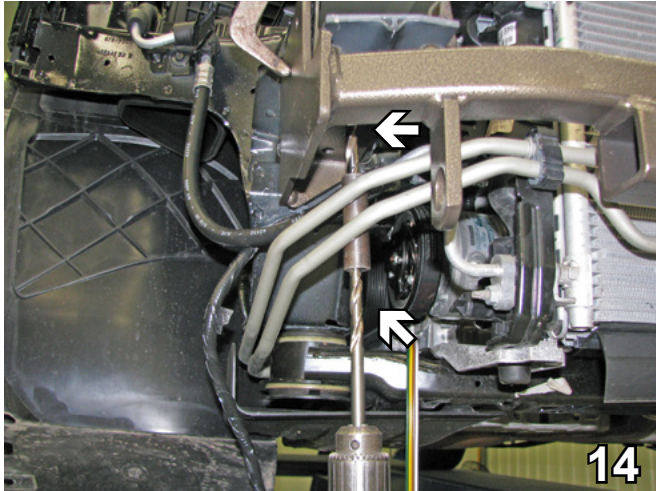


13. Using a 13MM socket, remove the four bolts (white arrows) from the metal bumper on both sides. Remove the Christmas tree pins (gray arrows) on the top and the bottom of the bumper. Do this to both sides. Pull the bumper forward and set it aside until later reinstallation.

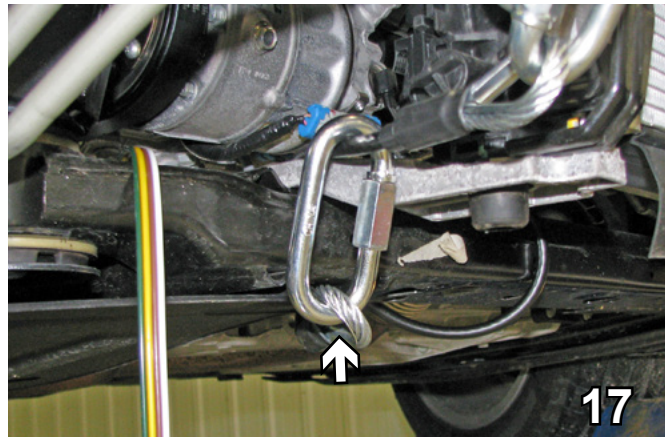
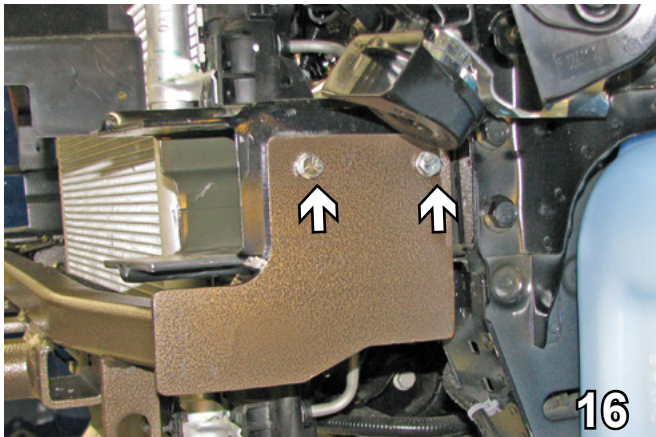
BX1515

2010-13 Buick Lacrosse

Installation Instructions



14. Slide the baseplate up and clamp it to the frame rail. Using the baseplate as a template drill two holes from the bottom up using a 13/32" drill bit. Do this to both sides. On the passenger side, use a long drill bit on the front hole and cover the drill bit with a tube to prevent damage to the coolant line.
15. Insert 3/8-16 x 2" bolts from underneath and 3/8" lock washers on the bottom, slide in the backing plate. On top attach 3/8-16 nut plates in the opening in the frame rail. Use Loctite on the bolts and tighten to specs. Do this to both sides. Using the baseplate as a template with a 13/32" drill bit drill the side holes.



16. Insert 3/8-16 x 2" bolts and 3/8" lock washers into the side holes. Attach to backing plates and 3/8-16 nut plates. Use Loctite on the bolts and tighten to specs. Do this to both sides.
17. Attach the permanent baseplate safety cables to the provided convenience link on the baseplate. The photo above shows the recommended installation of the cables to frame of vehicle. Additional options may interfere with suggested mounting; in this case secure the cables to a solid piece of the frame as described in the instructions included with the permanent baseplate safety cables. Be sure the safety cables do not rub against any hoses or moving parts. Do this to both sides of the vehicle.

When using power drills be aware of the dangers of torque and drill bit length.

BE SURE TO USE LOCTITE® RED ON ALL BOLTS BEFORE TIGHTENING. TIGHTEN ALL BOLTS ACCORDING TO THE TORQUE CHART ON THE FRONT PAGE OF THESE INSTRUCTIONS OR ON PAGE 3 OF THE BASEPLATE TOWING GENERAL INSTRUCTIONS.

BX1515

2010-13 Buick Lacrosse

Installation Instructions



18. Reinstall the headlights, the air baffle and the metal bumper before reinstalling the fascia, pushpins and bolts.

Install the tow bar and safety cables according to the instructions provided in their packages. When demonstrating this to the customer, be sure to include all the contents and packages.

Do **NOT** substitute other devices if the tow bar pins and clips are misplaced.

DEALER or INSTALLER:
**Be certain the user receives the
instruction sheets for their products.**

Be sure that **ALL** electrical connections
are plugged in properly and functioning
BEFORE installing the fascia.

BX1515

2010-13 Buick Lacrosse

Installation Instructions



Shown without removable tabs installed



Shown with removable tabs installed

CUSTOMER SERVICE COMMITMENT

Blue Ox is committed to providing you with exceptional customer care throughout your lifetime with our products. Our team is here to assist you with any questions you may have regarding the performance of your product. Simply call (402) 385-3051 and you can speak with our customer care team.

Additionally, please visit our website to see which rallies our Destination America team will be attending. For a nominal fee, our service technician will service your towing system to ensure it's in proper working condition. Also, as a commitment to our customers, should you visit our factory, you can stay at our full service Blue Ox campground at no charge along with enjoying a factory tour.

Again, thank you for being our customer and for the confidence you have shown in the performance of our products. It is because of customers like you we enjoy the success we have today.

If the baseplate is in an accident, it must be replaced. DO NOT use it again! An accident can cause unseen damage and using it again could result in more damage or serious injury. DO NOT use the baseplate if it is damaged or missing parts.



© 2011 Blue Ox
One Mill Road, Industrial Park
Pender, Nebraska 68047
Phone: (402) 385-3051 • Fax: (402) 385-3360
www.blueox.com