



# BX1635

## 1992-99 O. S. Chevrolet Suburban 1997-99 O. S. GMC Suburban 1500 Installation Instructions

Serial Number

Attachment Tab Height: 16"  
Attachment Tab Width: 24"

Please read **BOTH** these Installation Instructions and the General Towing Instructions before attempting to install or operate this equipment.

- Blue Ox® towing products and accessories are intended to be installed by Blue Ox® Dealers who are familiar with our products and have the equipment and knowledge to do "fit work". When necessary Blue Ox® Dealers can be found at [www.blueox.com](http://www.blueox.com) or by contacting our Customer Care Department at (402) 385-3051.
- Many Blue Ox® Baseplates are designed to use existing holes and hardware to mount the baseplate to the towed vehicle. Even though bolts are there, do not assume they are adequate for baseplate mounting. Always use hardware supplied in the hardware kit or existing hardware specified in the Baseplate Towing Installation Instructions.

**Bolt Torque Specifications**  
Torque in Foot-Pounds for Metric Bolts

Bolt Size	Grade 8.8	Grade 10.9
6MM	6	8
8MM	16	22
10MM	31	40
12MM	54	70
14MM	89	117

**Bolt Torque Specifications**  
Torque in Foot-Pounds for Inch Bolts

Bolt Size	Grade 5	Grade 8
1/4"	10	14
5/16"	19	29
3/8"	33	47
7/16"	54	78
1/2"	78	119
5/8"	154	230

Confirm the towability and pre-towing procedures for your vehicle with the owner's manual or contact the vehicle's manufacturer for specific towing procedures.

**⚠ WARNING**

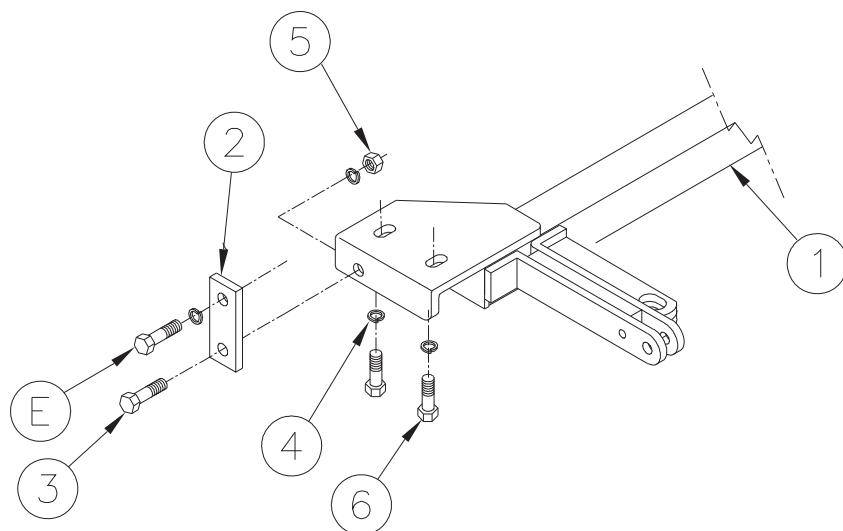
Failure to read and follow these instructions could result in separation of the towed vehicle from the tow bar, causing property damage, loss of towed vehicle, personal injury or death.

# BX1635

## 1992-99 O. S. Chevrolet Suburban 1997-99 O. S. GMC Suburban 1500 Installation Instructions

### Parts List

Ref No	Qty	Part No	Description
1	1	61-5431	Baseplate, BX1635
2	2	102-5868	Side Brace, BX1623/1635
3	2	201-0068	1/2 - 13 x 1 3/4" Hex Bolt, Grade 5
4	6	203-0012	1/2" Lock Washer
5	2	202-0005	1/2 - 13, Hex Nut
6	4	201-0467	12mm - 1.75 x 50mm Hex Bolt, Grade 8.8
E	2	XXX-XXXX	Existing Bolts
	2	226-0049	Baseplate Safety Cable, 36" CL IV (Not Shown)
	4	229-0512	Quicklink, 1/2, ZP (Not Shown)



### Tools Required

3/4" Wrench  
21MM Wrench  
18MM Wrench  
14MM Wrench  
Utility Knife  
Loctite® RED

### Important:

Use only genuine factory replacement parts on your baseplate. Do **NOT** substitute homemade or non-typical parts. If a bolt is lost or in need of replacement, for your safety and the preservation of your baseplate, be sure to use a replacement bolt of the same grade (In most cases it will be Grade 5, please reference the parts list above). Replacement parts may be ordered through your nearest Blue Ox® Dealer or Distributor. Failing to follow and/or altering these installation instructions in either installation or required equipment will void the manufacturer's warranty. Towing behind a non-motorized vehicle will void the warranty.

# BX1635

## 1992-99 O. S. Chevrolet Suburban 1997-99 O. S. GMC Suburban 1500 Installation Instructions

### Installation Notes:

The baseplate mounts to the main frame of the vehicle. Drilling is required for the installation. The attachment tabs will extend through the grille opening approximately four inches.

The dimensional variations between otherwise identical vehicles can be considerable. While the baseplate was designed for easy installation, it may be necessary to tailor the baseplate slightly to compensate for auto manufacturer's tolerances. These minor adjustments may include filing a hole slightly, bending electrical rods, and/ or bending end plates.

The BX8869 Bulb and Socket Wiring Kit is recommended for this vehicle.

### Installation Instructions:

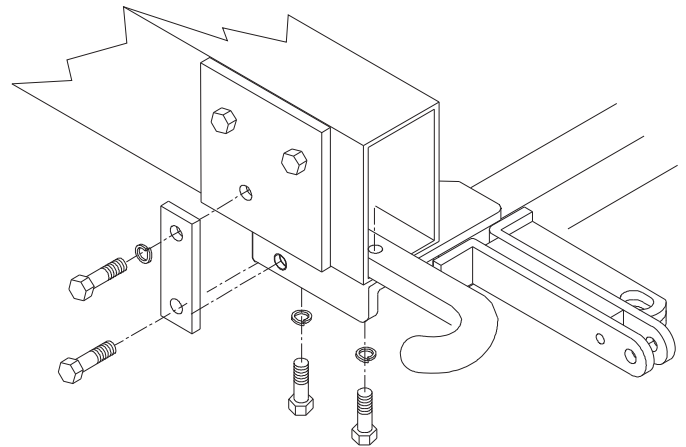
The baseplate mounts to the same location that the tow hooks mount. The tow hooks will be mounted with the baseplate as it is installed. Because of the variation of weights for these vehicles being close to or over 5000 lbs., this baseplate is designed for a Class IV rated tow bar only.

1. Remove each tow hook from the vehicle. Place the baseplate to the holes for the tow hooks.

2. Use the 12mm bolts to fasten the baseplate and tow hooks to the frame. Be sure to use Loctite with each bolt but do not tighten. As shown in drawing.

3. Notice the holes on the outside of the baseplate. On the outside of each frame are three bolts, directly above the holes on baseplate. Remove the bottom bolt on each side. The side braces (Items 2 & 3) will bolt to these holes.

4. Take the flat braces (Items 2 & 3) and fasten them to each side of the frame and to the side of the baseplate. Use the 1/2 x 1 3/4" bolts, lock washers and nuts (Items 4,5,6) to fasten the brace to the baseplate. Use the existing 14mm bolt to fasten the brace to the frame of the vehicle. Be sure to use Loctite with each bolt. Once all bolts have been started, tighten according to the torque chart in the General Instruction Sheet.



# BX1635

## 1992-99 O. S. Chevrolet Suburban 1997-99 O. S. GMC Suburban 1500 Installation Instructions

Install the tow bar and safety cables according to the instructions included in their packages.

Do NOT substitute other devices if the tow bar pin and clip are lost.

**Dealer or Installer: be certain the customer receives the instruction sheet.**

### CUSTOMER SERVICE COMMITMENT

Blue Ox is committed to providing you with exceptional customer care throughout your lifetime with our products. Our team is here to assist you with any questions you may have regarding the performance of your product. Simply call (402) 385-3051 and you can speak with our customer care team.

Additionally, please visit our website to see which rallies our Destination America team will be attending. For a nominal fee, our service technician will service your towing system to ensure it's in proper working condition. Also as a commitment to our customers, should you visit our factory you can stay at our full service Blue Ox campground at no charge along with enjoying a factory tour.

Again thank you for being our customer and for the confidence you have shown in the performance of our products. It is because of customers like you we enjoy the success we have today.



© 2006, 07, 10 Blue Ox  
One Mill Road, Industrial Park  
Pender, Nebraska 68047  
Phone: (402) 385-3051  
Toll Free: (888) 425-5382  
Fax: (402) 385-3360  
[www.blueox.com](http://www.blueox.com)