



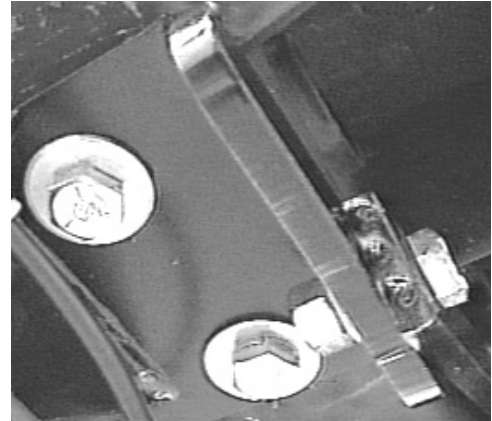
BX1640

1998-00 Chevrolet Suburban 2500

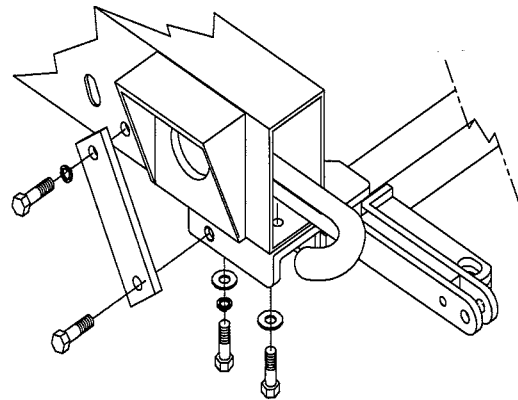
Installation Instructions

Serial Number

Holes need to be drilled for baseplate installation. Use Loctite with each bolt.



1. Remove each tow hook bolt from the bottom of the frame. Hold the baseplate up to the frame so the rear hole of the baseplate aligns with the tow hook bolt hole. Thread the 12mm bolt with lock and flat washer. Tighten bolt according to chart in the General Instruction Sheet. Drill the front hole and use 12mm hardware as shown in the drawing on last page. Tighten bolts.



2. Use 1/2" hardware as shown in drawing and bolt side brace to the baseplate, bring other end up to side of frame. Center punch and 1/2" drill hole. Use hardware shown in drawing and tighten both bolts according to the chart in General Instruction Sheet.

Automatic



Parts List

Ref No	Qty	Part No	Description
1	1	61-5519.....	Baseplate, BX1640
2	2	61-5113.....	1/2" Wire Nut
3	4	201-0068.....	1/2 - 13 x 1 3/4" Hex Bolt, Grade 5
4	4	203-0012.....	1/2" Lock Washer
5	2	202-0005.....	1/2 - 13, Hex Nut
6	4	201-0467.....	12mm - 1.75 x 50mm Hex Bolt, Grade 10.9
7	2	202-0117.....	12mm-1.75 Hex Nut, ZP
8	4	203-0112.....	12mm Flat Washer
9	2	203-0105.....	12mm Lock Washer
10	2	102-6012.....	Side Brace, BX1640

Parts Not Pictured:		
Qty.	Part #	Description
2	226-0049	Baseplate Safety Cables
2	229-0512	Quicklink, 1/2, ZP

Tools Required

3/4" Wrench
Drill Bit

21mm Wrench
1/2" Center Punch

Loctite Blue

18mm Wrench

1/2"

