



Baseplate Installation Instructions

BX1647 2000-05 Chevrolet Cavalier Installation Instructions

Serial Number

Please read **BOTH** these Installation Instructions and the General Towing Instructions before attempting to install or operate this equipment.

Attachment Tab Height: 12.75"

Attachment Tab Width: 19.5"

- Blue Ox® towing products and accessories are intended to be installed by Blue Ox® Dealers who are familiar with our products and have the equipment and knowledge to do "fit work". When necessary Blue Ox® Dealers can be found at www.blueox.us or by contacting our 24/7 Customer Care Department at (402) 385-3051 or Toll Free at (888) 425-5382.
- Many Blue Ox® Baseplates are designed to use existing holes and hardware to mount the baseplate to the towed vehicle. Even though bolts are there, do not assume they are adequate for baseplate mounting. Always use hardware supplied in the hardware kit or existing hardware specified in the Baseplate Towing Installation Instructions.

Bolt Torque Specifications
Torque in Foot-Pounds per Metric Bolts

Bolt Size	Grade 8.8	Grade 10.9
6MM	6	8
8MM	16	22
10MM	31	40
12MM	54	70
14MM	89	117

Bolt Torque Specifications
Torque in Foot-Pounds per Inch Bolts

Bolt Size	Grade 5	Grade 8
1/4"	10	14
5/16"	19	29
3/8"	33	47
7/16"	54	78
1/2"	78	119
5/8"	154	230

Confirm the towability and pre-towing procedures for your vehicle with the owner's manual or contact the vehicle's manufacturer for specific towing procedures. You can also contact REMCO for additional information at 1(800)228-2481.

! WARNING

Failure to read and follow these instructions could result in separation of the towed vehicle from the tow bar, causing property damage, loss of towed vehicle, personal injury or death.

BX1647

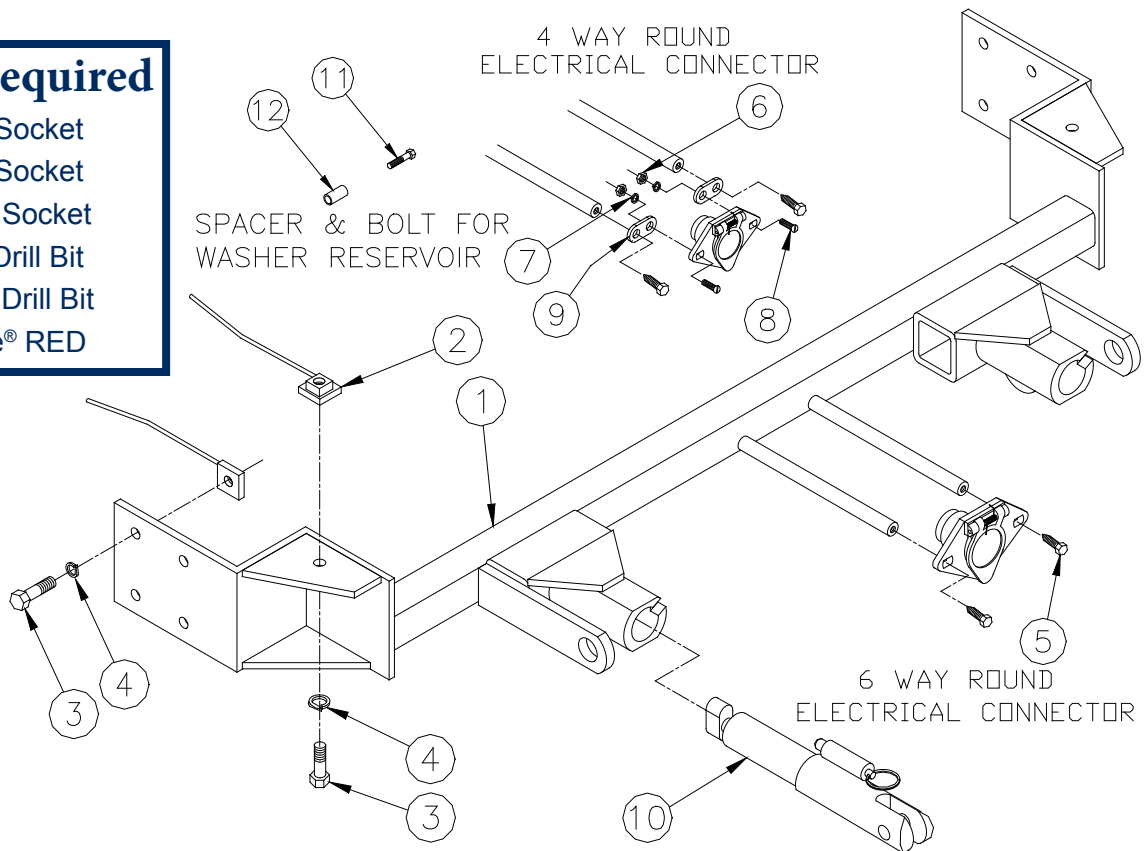
2000-05 Chevrolet Cavalier Installation Instructions

Parts List

Ref. No.	Qty.	Part #	Description
1	1	61-5789	Weldment, Baseplate, BX1647
2	10	61-5208	3/8" Nutplate, with Wire
3	10	201-0440	3/8-16 x 1 1/2" Bolt, Grade 5, ZP
4	10	203-0010	3/8" Lock Washer, ZP
5	2	201-0979	#12-14 x 1" Self Drilling Screw, ZP
6	2	202-0047	#10-32 Hex Nut
7	2	203-0054	#10 Lock Washer
8	2	201-0192	#10-32 x 1/2" Slot, Rd. Hd. Screw
9	2	101-5822	Adapter, 4 Way Connector
10	2	62-3469	Attachment, Assembly, SF/ LB (R)
11	2	201-0702	6MM-1" x 45MM, Hex Bolt, Grade 8.8, ZP
12	2	106-0366	Pipe, 1/4" Sch 40 x 3/4"
	2	226-0046	Baseplate Safety Cable, 36" CL III (Not Shown)
	2	229-0359	Quicklink, 3/8, ZP (Not Shown)
	2	290-0437	Cap Plug, Black (Not Shown)

Tools Required

6MM Socket
7MM Socket
10MM Socket
9/16" Drill Bit
13/32" Drill Bit
Loctite® RED



Important:

Use only genuine factory replacement parts on your baseplate. Do **NOT** substitute homemade or non-typical parts. If a bolt is lost or in need of replacement, for your safety and the preservation of your baseplate, be sure to use a replacement bolt of the same grade (In most cases it will be Grade 5, please reference the parts list above). Replacement parts may be ordered through your nearest Blue Ox® Dealer or Distributor.

BX1647

2000-05 Chevrolet Cavalier Installation Instructions

Removable Tabs:

Motorhome mount tow bars are recommended for use with this baseplate. Due to the design of the removable tabs, the RangeFinder II, Adventurer, and Ambassador tow bars can not be used. The Acclaim tow bar may be used, but will not fold and store on the front of the vehicle. Adapters, except the BX8833 and the BX88151, can not be used with this baseplate.

Installation Notes:

The front fascia, horn and windshield washer reservoir are removed and reinstalled for the baseplate installation. Drilling is required. Some trimming of the air dam is required.

The dimensional variations between otherwise identical vehicles can be considerable. While the baseplate was designed for easy installation, it may be necessary to tailor the baseplate slightly to compensate for auto manufacturer's tolerances. These minor adjustments may include filing a hole slightly, bending electrical rods, and/ or bending end plates.

The BX8869 Bulb and Socket Wiring Kit is recommended for this vehicle.

Installation Instructions:



1. Remove four pushpins from the top side of the fascia. Set the pushpins aside to be reinstalled later.



2. Using the 7MM socket, remove three metric bolts inside the wheel well. Do this to both sides of the vehicle.

BX1647

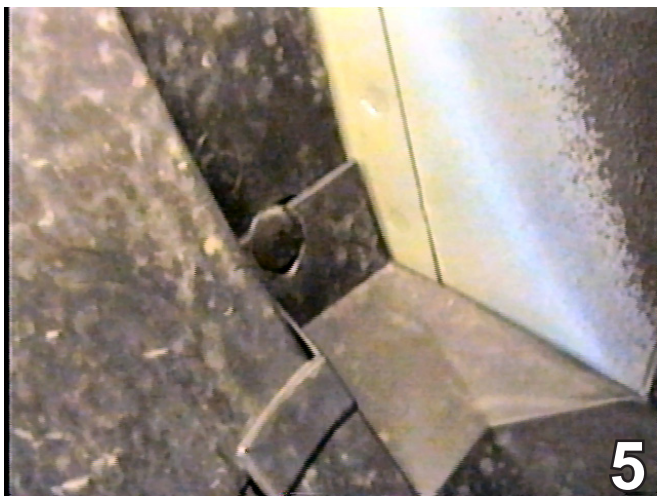
2000-05 Chevrolet Cavalier Installation Instructions



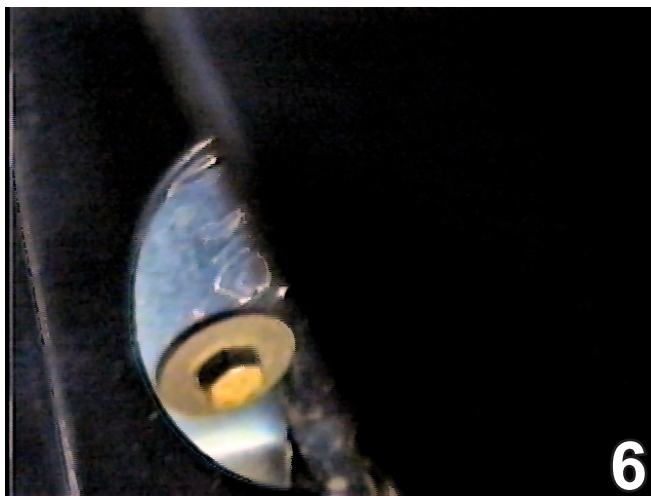
3. Using the 6MM socket, remove three metric bolts, just forward of the front tire. Set metric bolts aside to be reinstalled later. Do this to both sides of the vehicle.



4. Using the 7MM socket, remove three metric bolts from inside the wheel well. Set the bolts aside to be reinstalled later. Do this to both sides of the vehicle.



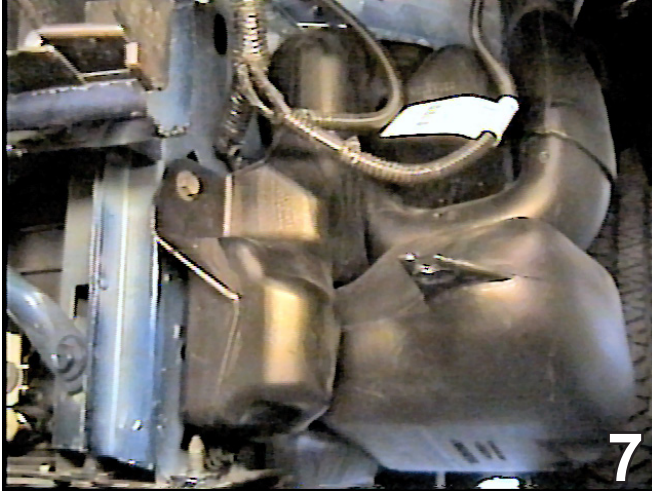
5. Remove one pin tree clip from the upper wheel well. Set pine tree clip aside to be reinstalled later. Do this to both sides of the vehicle.



6. Using the 10MM socket, remove the back metric bolt from the corner of the fascia, inside the wheel well. Set the metric bolt aside to be reinstalled later. Do this to both sides of the vehicle. Pull the fascia forward and set it carefully aside to be reinstalled later.

BX1647

2000-05 Chevrolet Cavalier Installation Instructions

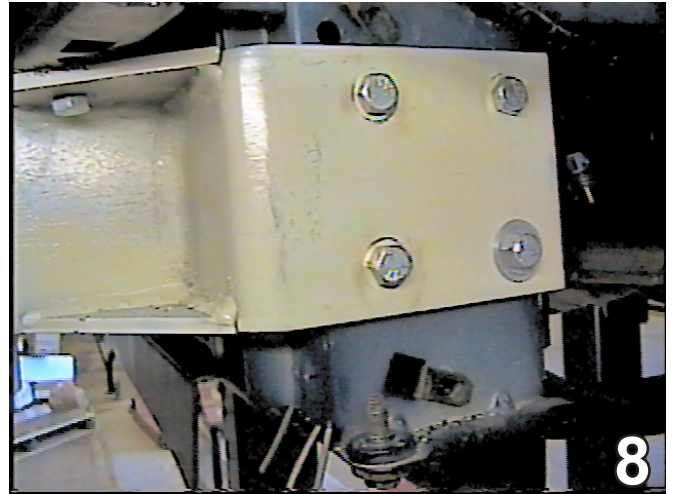


7. Remove the windshield washer reservoir using the 10MM socket on the three side bolts, one bolt on the bottom, with the 7MM socket and one Phillips screw on the outer tubing. Pull the reservoir down, disconnect the electrical connections, cap pump tube and set aside to be reinstalled later. Remove the horn bracket on the passenger's side of the vehicle with the 10MM socket.

BE SURE TO USE LOCTITE® RED ON ALL BOLTS BEFORE TIGHTENING. TIGHTEN ALL BOLTS ACCORDING TO THE TORQUE CHART ON THE FRONT PAGE OF THESE INSTRUCTIONS OR ON PAGE 3 OF THE BASEPLATE TOWING GENERAL INSTRUCTIONS.

9. Reinstall the horn, washer reservoir, fascia and wheel well. Some vehicles may require longer bolts and spacers to reinstall the washer reservoir. Use the 6MM-1 x45MM hex bolt, and the 1/4" sch 40 x 3/4" pipe as needed.

Be sure that ALL electrical connections are plugged in properly and functioning BEFORE Installing the fascia.



8. Hold the baseplate up to the bottom of the metal bumper, slide back toward radiator and clamp with the vise grips. Using the baseplate as a template, drill all the holes with the 13/32" drill bit. Insert the 3/8" nutplate into opening in the bottom of the frame (it maybe necessary to pry the opening to allow for clearance) to align with the drilled holes and tighten 3/8-16 x 1 1/2" hex bolt and the 3/8" lock washer. Do this to both sides of the vehicle. Insert 3/8" nutplate into the metal bumper end to align with the drilled hole and tighten the 3/16 x 1 1/2" hex bolt , and the 3/8" lock washer.

Install the tow bar and safety cables according to the instructions included in their packages.

Do NOT substitute other devices if the tow bar pin and clip are lost.

Dealer or Installer: be certain the customer receives the instruction sheet.

BX1647

2000-05 Chevrolet Cavalier Installation Instructions



Customer Service Commitment

Blue Ox® is focused on providing exemplary customer service, as observed in our mission statement and guiding principles. In accordance with this objective, Blue Ox® is proud to provide services such as repairs and general maintenance of Blue Ox® products at over 150 RV Rallies. Look for our Destination America or Blue Ox® Racing service crews at the next rally or NASCAR race that you attend. If you were not present, you will find an informative, personalized note explaining any services that may have been performed to your Blue Ox® products.

Blue Ox® also offers educational seminars at rallies and through our Park and Resort teams. In addition, Blue Ox® customers visiting our factory may take advantage of the well-equipped Blue Ox® RV park at no charge to you, our valued and appreciated customer.



© 2002, 06 Blue Ox
One Mill Road, Industrial Park
Pender, Nebraska 68047
Phone: (402) 385-3051
Toll Free: (888) 425-5382
Fax: (402) 385-3360
www.blueox.us