



# BX1708

2013-16 GMC Acadia (Includes Denali)  
 2017 GMC Acadia Limited  
 2008-17 Buick Enclave  
 Installation Instructions

Please read **BOTH** these Installation Instructions and the **General Information** sheet prior to installing or operating this equipment.

**Attachment Tab Height: 17-3/4"**

**Attachment Tab Width: 18"**

**Serial Number**



1. Blue Ox® towing products and accessories are intended to be installed by Blue Ox® Dealers who are familiar with our products and have the equipment and knowledge necessary to do "fit work". If needed, Blue Ox® Dealers can be found at [www.blueox.com](http://www.blueox.com) or by contacting our Technical Service Department at (402) 385-3051.
2. Many Blue Ox® baseplates are designed to use existing holes and hardware to mount the baseplate to the towed vehicle. Even though bolts are there, do not assume they are adequate for baseplate mounting. Always use the hardware supplied in the hardware kit and existing hardware as specified in the installation instructions.

**Bolt Torque Specifications**  
 Torque in Foot-Pounds for Inch Bolts

Bolt Size	Grade 5	Grade 8
1/4"	10	14
5/16"	19	29
3/8"	33	47
7/16"	54	78
1/2"	78	119
5/8"	154	230
3/4"	257	380

**Bolt Torque Specifications**  
 Torque in Foot-Pounds for Metric Bolts

Bolt Size	Grade 8.8	Grade 10.9
6MM	6	8
8MM	16	22
10MM	31	40
12MM	54	70
14MM	89	117
16MM	161	230
18MM	222	318

**! WARNING**

Failure to read and follow these instructions could result in separation of the towed vehicle from the tow bar, causing property damage, loss of towed vehicle, personal injury or death.

If the front of your vehicle looks different than this, please contact us at (402)385-3051.

BX1708  
2013-16 GMC Acadia (Includes Denali) / 2017 GMC Acadia Limited  
2008-17 Buick Enclave  
Installation Instructions

**Reference your vehicle owner's manual for manufacturer's towing specifications.**

**Instruction Notes:** The fascia, fascia cover and temperature sensor are removed and reinstalled for the baseplate installation. Some drilling and trimming is required.

Place all components that are removed on a flat, sturdy surface. All items will be reinstalled unless otherwise noted after the baseplate is installed.

The dimensional variations between otherwise identical vehicles can be considerable. While the baseplate was designed for easy installation, it may be necessary to tailor the baseplate slightly to compensate for vehicle manufacturer's tolerances.

The BX8848 4-Diode Wiring Kit is recommended for the GMC Acadia.  
The BX8869 Tail Light Wiring Kit is recommended for the Buick Enclave.



Drill a hole according to the tail light wiring kit instructions.

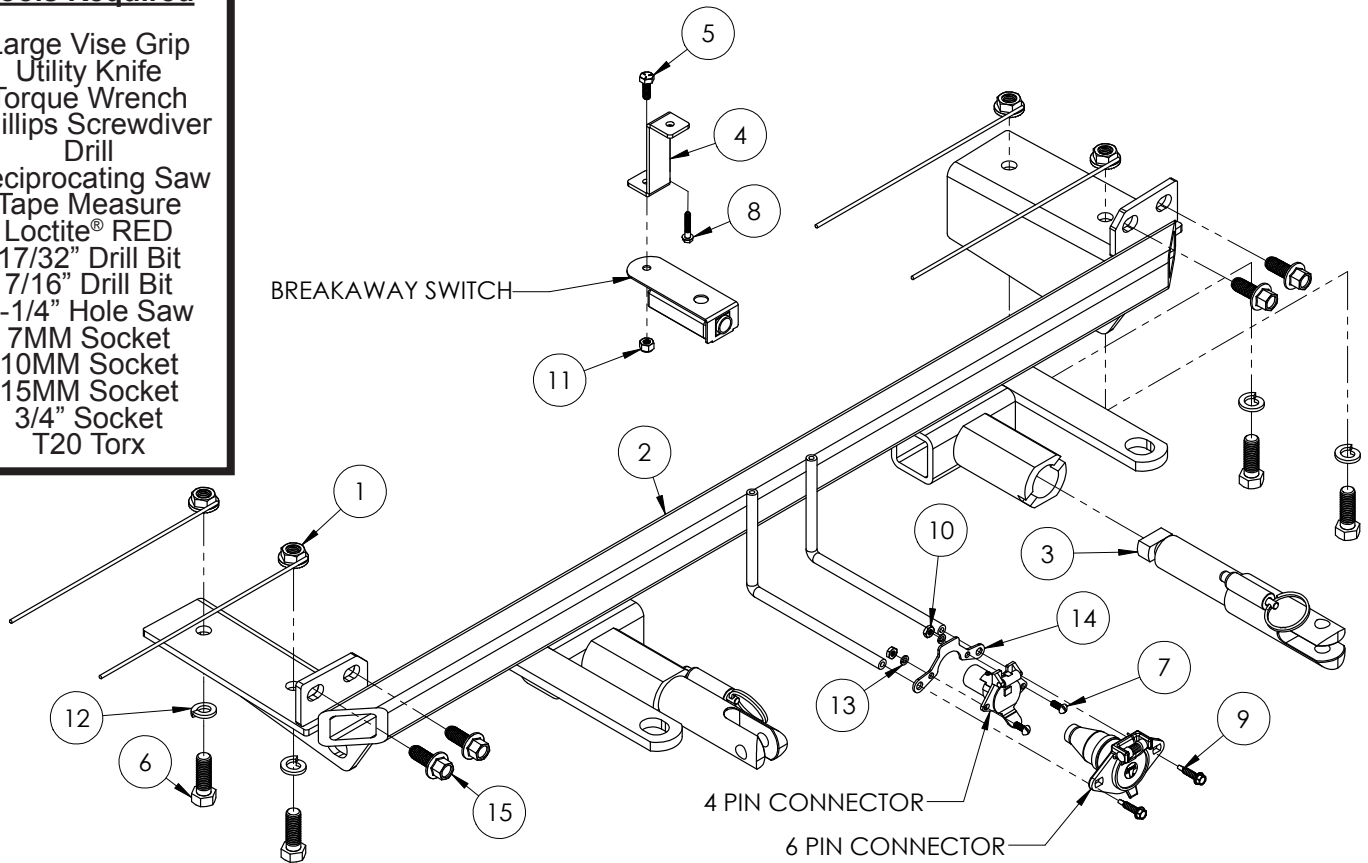
### **NOTICE**

- Handling of some cosmetic parts when installing this product may require the use of protective covers, rags, specialty tools, etc. to prevent damage.
- When using power drills be aware of the dangers of torque and drill bit length.
- When using a reciprocating saw be aware of objects behind the cutting surface.
- Use a good quality paint to spray cut edges of frame to prevent rusting.
- Be sure that **ALL** electrical connections are plugged in and accessories are functioning properly before reinstalling the fascia.
- The baseplate is computer tested to your vehicle's GVWR, exceeding this weight will void the manufacturer's warranty.
- Be sure to use a sufficient amount of Loctite® Red on all bolt threads before tightening. Tighten all bolts according to the torque chart provided.
- Dealer or installer be certain the user receives these instruction sheets.
- If the baseplate is in an accident, it must be replaced. **DO NOT** use it again! An accident can cause unseen damage and using it again could result in more damage or serious injury. **DO NOT** use the baseplate if it is damaged or missing parts.

**BX1708**  
**2013-16 GMC Acadia (Includes Denali) / 2017 GMC Acadia Limited**  
**2008-17 Buick Enclave**  
**Installation Instructions**

**Tools Required**

Large Vise Grip  
 Utility Knife  
 Torque Wrench  
 Phillips Screwdriver  
 Drill  
 Reciprocating Saw  
 Tape Measure  
 Loctite® RED  
 17/32" Drill Bit  
 7/16" Drill Bit  
 1-1/4" Hole Saw  
 7MM Socket  
 10MM Socket  
 15MM Socket  
 3/4" Socket  
 T20 Torx



Item No.	Part No.	Description	Qty.
1.....	61-4029.....	1/2"-13 Whiz Nut w/ 10" Wire .....	4
2.....	61-7189.....	BX1708 Baseplate.....	1
3.....	62-3469.....	Attachment Tab Assembly with Hole .....	2
4.....	102-7168.....	Breakaway Bracket .....	1
5.....	201-0050.....	1/4"-20 x 3/4" Hex Head Bolt, Grade 5, ZP .....	1
6.....	201-0051.....	1/2"-13 x 1-1/2" Hex Head Bolt, Grade 5, ZP.....	4
7.....	201-0192.....	#10-32 1/2" Round Slotted Head Screw.....	2
8.....	201-0654.....	#10-16 x 1" Self Drilling Screw, ZP.....	1
9.....	201-0979.....	#12-14 x 1" Self Drilling Screw, ZP.....	2
10.....	202-0047.....	#10-32 Hex Nut .....	2
11.....	202-0102.....	1/4"-20 Hex Nylon Nut, ZP .....	1
12.....	203-0012.....	1/2" Lock Washer, ZP.....	4
13.....	203-0054.....	#10 Lock Washer, ZP.....	2
14.....	299-0685.....	Electrical Bracket, ZP.....	1
15.....	Existing.....	Bumper Bolt.....	4
16.....	226-0049(not shown).....	Class IV Safety Cables.....	2
17.....	229-0512(not shown).....	1/2" Quicklink, ZP.....	2
18.....	290-0437(not shown).....	Black Cap Plug Receiver.....	2

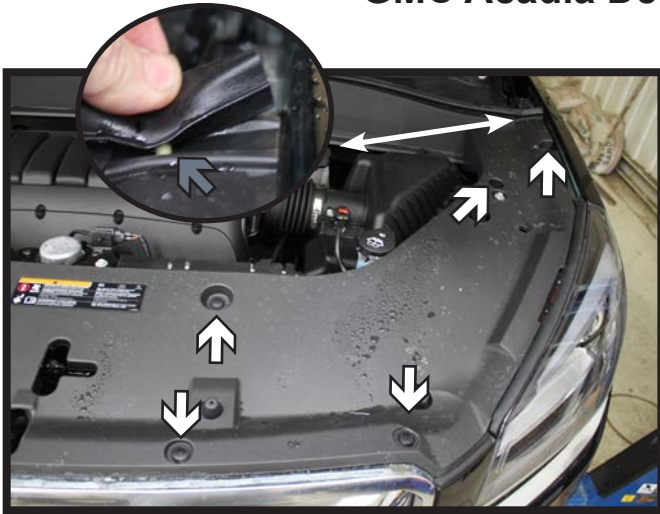
**Important:**

Use only genuine factory replacement parts on your baseplate. Do **NOT** substitute homemade or non-typical parts. If a bolt is lost or in need of replacement, for your safety and the preservation of your baseplate, be sure to use a replacement bolt of the same grade (In most cases it will be Grade 5, please reference the parts list above). Replacement parts may be ordered through your nearest Blue Ox® Dealer or Distributor. Failing to follow and/or altering these installation instructions in either installation or required equipment will void the manufacturer's warranty. Towing behind a non-motorized vehicle will void the warranty.

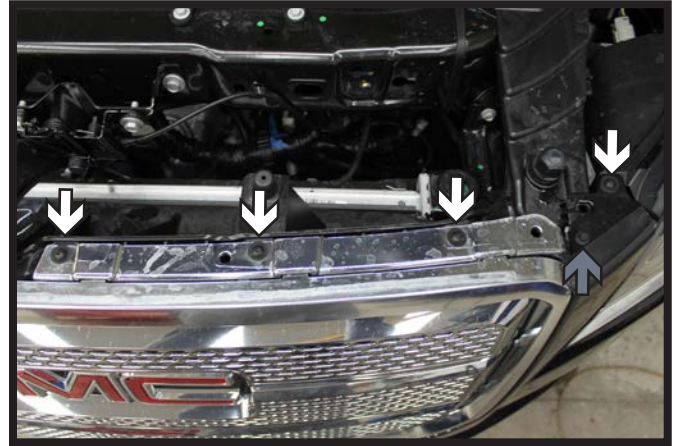


BX1708  
2013-16 GMC Acadia (Includes Denali) / 2017 GMC Acadia Limited  
2008-17 Buick Enclave  
Installation Instructions

**\*GMC Acadia Denali Fascia Removal\***



1. Remove the five (5) push pins from the top fascia cover (white). Then pry up the end of the rubber strip, releasing the clip underneath (gray). Do this on both sides of the vehicle. Remove the cover from the vehicle.



2. Along the top edge of the fascia, using a T20 Torx, remove the four (4) screws from the driver side (white). Then the three (3) on the passenger side. Using a 7MM socket, remove the screw from the edge on both sides of the vehicle (gray).



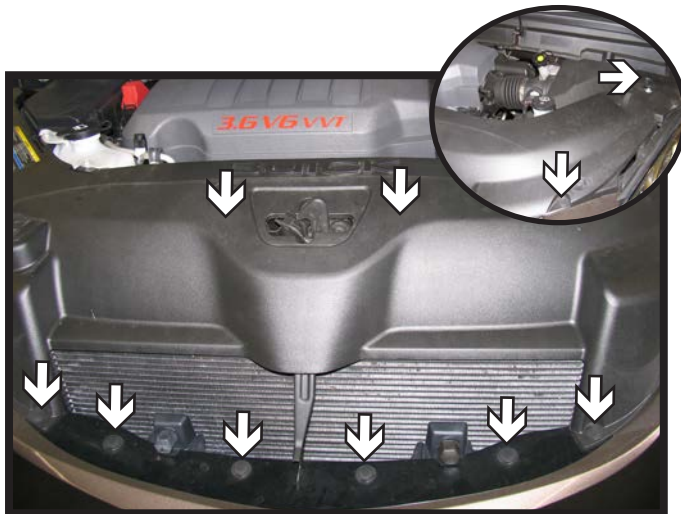
3. Using a T20 Torx, remove the four (4) screws from the outer edge of the wheel well (white). Then behind the wheel well cover, using a 7MM socket, remove the outer screw (gray). Do this on both sides of the vehicle.



4. On the underside corner of the fascia, using a T20 Torx, remove the two (2) outer screws (white). Then using a 10MM socket, remove the one (1) inner screw (gray). Do this on both sides of the vehicle. Pull the corners of the fascia away from the vehicle disconnecting any electrical connections and set the fascia aside.

BX1708  
2013-16 GMC Acadia (Includes Denali) / 2017 GMC Acadia Limited  
2008-17 Buick Enclave  
Installation Instructions

**\*2008-2012 Buick Enclave Fascia Removal\***



1. Remove twelve (12) push pins from the plastic piece covering the top of the under carriage with a flat screwdriver. There are two (2) push pins on each outer edge of the vehicle (see insert). Also, remove six (6) additional push pins from the bottom segment of the fascia. Remove push pins and set aside for later reinstallation.



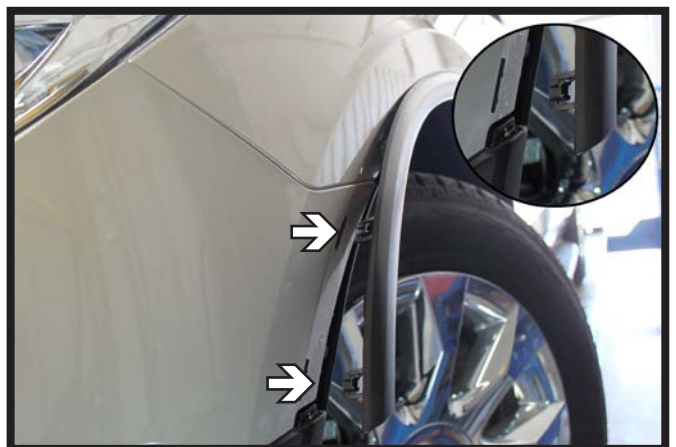
2. Using a Phillips screwdriver, remove a screw connecting the fascia near the headlight. Do this to both sides and set aside bolts for reinstallation later.

**NOTE:** On 2012 models this requires the use of a T20 Torx instead of a Phillips screwdriver.



3. Remove five (5) Phillips screws just forward of the front tire, on the edge of fascia with a Phillips screwdriver. Do this to both sides of the vehicle. Set push pins aside to be reinstalled later.

**NOTE:** On 2012 models this requires the use of a T20 Torx instead of a Phillips screwdriver.



4. On 2012 models only: Once the previous step has been completed, gently pull the wheel well liner back and unclip the two (2) clips to loosen the outer trim.

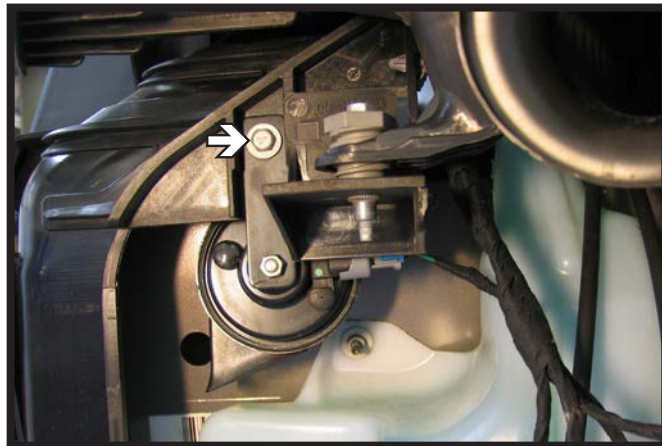


BX1708  
2013-16 GMC Acadia (Includes Denali) / 2017 GMC Acadia Limited  
2008-17 Buick Enclave  
Installation Instructions

**2008-2012 Buick Enclave Fascia Removal Con't.**



5. Remove two (2) Phillips screws from under the fascia with a screwdriver. Using a 10MM socket, also remove the hex bolt from under the fascia (gray arrow). Do this to both sides. Pull fascia corners to the side of vehicle to release, then pull fascia forward and set fascia aside carefully for later reinstallation along with bolts.



6. Using a 10MM socket, remove the hex bolt holding the horn to the frame rail. Remove the horn and bolt and set aside for later reinstallation. Do this to both sides.

continue to page 8 for baseplate installation

BX1708  
2013-16 GMC Acadia (Includes Denali) / 2017 GMC Acadia Limited  
2008-17 Buick Enclave  
Installation Instructions

**\*2013-2017 Buick Enclave Fascia Removal\***



1. Remove the five (5) push pins from the top fascia cover (white). Then pry up the end of the rubber strip, releasing the clip underneath (gray). Do this on both sides of the vehicle. Remove the cover from the vehicle.



2. Along the top edge of the fascia, using a T20 Torx, remove the three (3) screws from the passenger side. Then the four (4) on the driver side.



3. Using a T20 Torx, remove the five (5) screws from the outer edge of the wheel well.

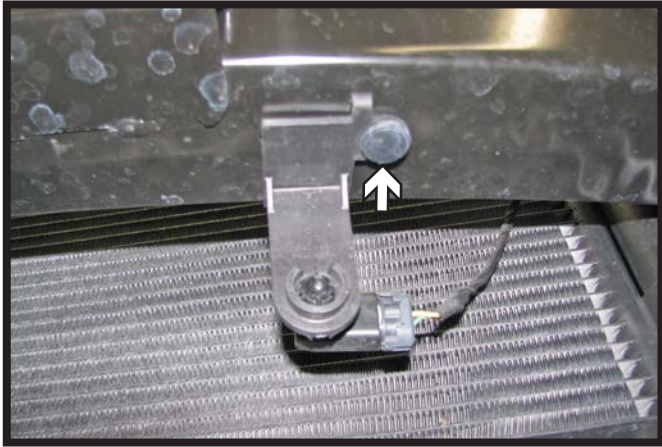


4. On the underside corner of the fascia, using a T20 Torx, remove the two (2) outer screws (white). Then using a 10MM socket, remove the one (1) inner screw (gray). Do this on both sides of the vehicle. Remove the fascia from the vehicle and set aside.

continue to page 8 for baseplate installation

BX1708  
2013-16 GMC Acadia (Includes Denali) / 2017 GMC Acadia Limited  
2008-17 Buick Enclave  
Installation Instructions

**Baseplate Installation**



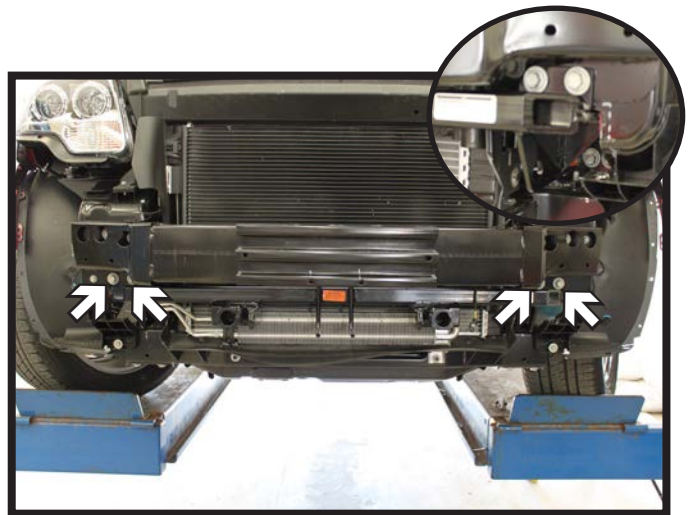
1. Remove the temperature sensor from the bracket, then remove the push pin from the bracket and set the bracket aside.



2. Using a reciprocating saw, notch out the shrouding for baseplate clearance. Do this on both sides of the vehicle.



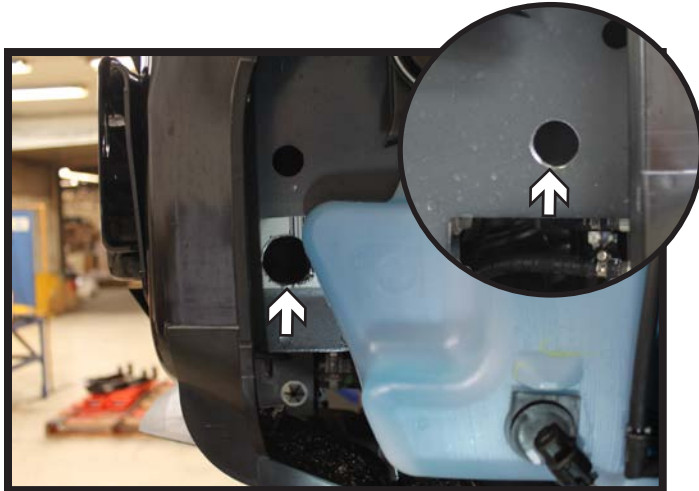
3. On the driver side, remove the push pin from the top of the plastic air deflector and trim as shown.



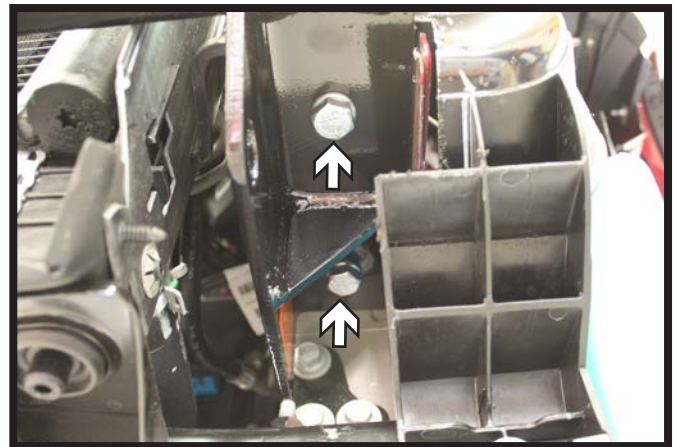
4. Using a 15MM socket, remove the four (4) bolts from the face of the bumper. There are two (2) on each side. Slide the baseplate into position, lining up the holes in the baseplate with the four (4) bumper holes. Reinstall the bolts back into the bumper and tighten.



BX1708  
2013-16 GMC Acadia (Includes Denali) / 2017 GMC Acadia Limited  
2008-17 Buick Enclave  
Installation Instructions



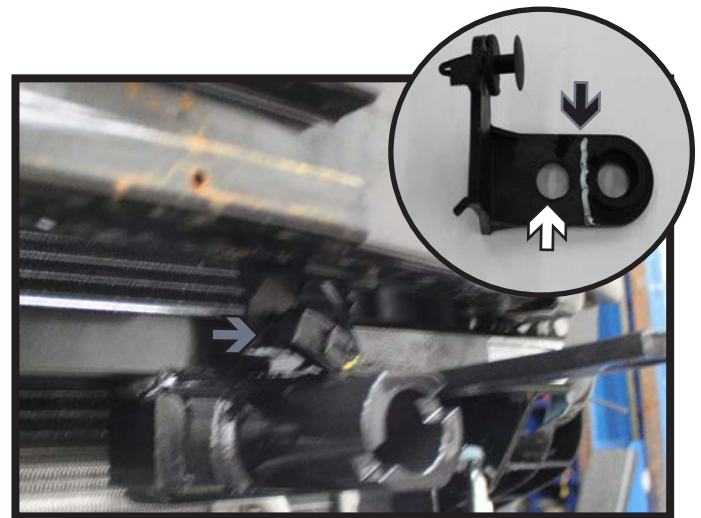
5. Using a 1-1/4" hole saw, drill an access hole into the frame for nut plate installation. Do this on both sides of the vehicle.



6. Using a 17/32" drill bit, drill the two (2) holes on the underside of the baseplate. Install 1/2"-13 x 1-1/2" bolts with 1/2" lock washers into the holes with 1/2"-13 nut plates inserted from the access hole. Do this on both sides of the vehicle.



7. Attach the permanent baseplate safety cables to the provided convenience link on the baseplate. The photo above shows the recommended installation of the cables to frame of vehicle. Additional options may interfere with suggested mounting; in this case, secure the cables to a solid piece of the frame as described in the instructions included with the permanent baseplate safety cables. Be sure the safety cables do not rub against any hoses or moving parts. Do this on **BOTH** sides of the vehicle.



8. Hold the temperature sensor back to its original position and mark for trimming (black). Using a 7/16" drill bit, drill a new hole into the bracket on the other side of the trim line (white). Trim off the excess bracket, reinstall to the vehicle and reinstall the sensor to the bracket (gray).

BX1708  
2013-16 GMC Acadia (Includes Denali) / 2017 GMC Acadia Limited  
2008-17 Buick Enclave  
Installation Instructions



9. Hold the fascia as close to its original position, mark and trim the fascia around the convenience links and attachment tabs. Reinstall the fascia and fascia cover.

## CUSTOMER SERVICE COMMITMENT

Blue Ox® is committed to providing you with exceptional customer care throughout your lifetime with our products. Our team is here to assist you with any questions you may have regarding the performance of your product. Simply call (402) 385-3051 and you can speak with our technical service team.

Additionally, please visit our website to see which rallies our Destination America team will be attending. For a nominal fee, our service technician will service your towing system to ensure it's in proper working condition. Also, as a commitment to our customers, should you visit our factory, you can stay at our full service Blue Ox® campground at no charge along with enjoying a factory tour.

Again, thank you for being our customer and for the confidence you have shown in the performance of our products. It is because of customers like you we enjoy the success we have today.

© 2015 Blue Ox  
One Mill Road, Industrial Park  
Pender, Nebraska 68047  
Phone: (402) 385-3051  
Fax: (402) 385-3360  
[www.blueox.com](http://www.blueox.com)

# General Information

1. Ensure that your product(s) are registered online at [www.blueox.com](http://www.blueox.com). It is crucial to register your product(s) so that you may be alerted of product offerings, updates, upgrades, maintenance and safety bulletins, and/or recalls.
2. **It is the owner's responsibility to inspect all towing equipment for cracked welds, missing or worn parts and loose bolts before each towing trip.** Be sure to use Loctite® Red on all bolts and tighten to the recommended specifications.
3. **It is the owner's responsibility to hook up all towing equipment per manufacturer's instructions/recommendations.**
4. Remove the attachment tabs when not in use (if applicable).

## Notice To Baseplate Installer

### 1. It is YOUR responsibility to watch for:

- Oil cooler and air conditioner lines
- Electrical wires and hoses
- Missing parts or attaching points on the frame

\*\* If the baseplate is improperly installed and is against a wire or hose, it could cause fluid leaks or electrical shorts some time after the actual baseplate installation.

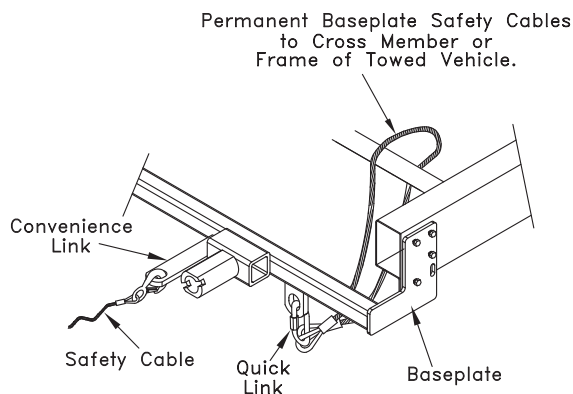
## Permanent Baseplate Safety Cable Installation

Permanent baseplate safety cables are strongly recommended when towing a vehicle with a tow bar. The principle function of the permanent baseplate safety cables is to prevent the towed vehicle from breaking loose in the event the connection between the frame of the towed vehicle and the baseplate fails or becomes disconnected. The cables must be connected from the baseplate to the frame rail or cross member of the vehicle's frame. The illustrations below show the possible arrangements recommended by Blue Ox®. Each permanent baseplate safety cable must have an adequate weight rating for the towing system. The weight rating of the two (2) cables together will not qualify.

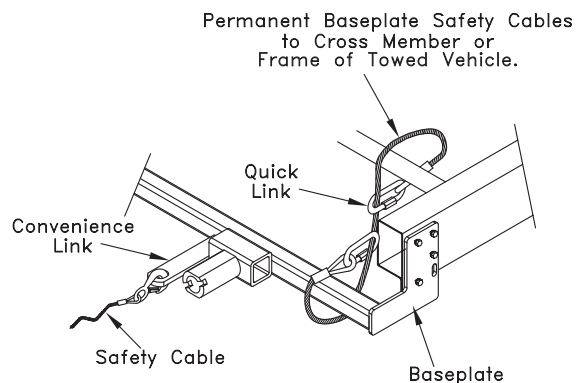
***Do not mount the permanent baseplate safety cables against wires, hoses or brake lines.***

These permanent baseplate safety cables should remain installed as long as the baseplate is installed on the vehicle. Permanent baseplate safety cables are to be used in conjunction with, and NOT a replacement for legally required safety cables attaching the towed vehicle to the towing vehicle.

### OPTION #1



### OPTION #2





# BLUE OX ORIGINAL PURCHASERS THREE YEAR LIMITED WARRANTY

Automatic Equipment Manufacturing Company ("Automatic") warrants to the original (first) retail purchaser that this product, manufactured by Automatic, shall be free from defect in material and workmanship under normal use and service for a period of three years from the date of delivery.

During said three-year period, Automatic will repair or replace any parts that have been returned by the original purchaser, to the factory, transportation prepaid, and in Automatic's sole and absolute opinion found to be defective.

Limitations on Warranty Coverage:

Coverage under this warranty will be valid only if the customer warranty card is returned by the original purchaser within 30 days of purchase.

Coverage under this warranty will be effective only when a copy of the original invoice, showing date and place of purchase, accompanies any claim for warranty. This warranty is NON TRANSFERABLE.

This limited warranty will not cover, in any way or form, any alleged damages caused by incorrect or improper installation, improper use, modification or neglect of product, failure to properly service and maintain, misuse, act of God, accident or failure of the user to follow guidelines contained in the instructional material provided by Automatic.

This warranty does not cover normal wear and tear, paint or rust.

Warrantor assumes no responsibility to the owner for loss of use of product, loss of time, inconvenience or any other damage consequential or otherwise. Including, but not limited to mileage, expense of transporting of product, return shipping expense, mechanics travel time, telephone, road service, towing, and rental during repairs, travel, lodging, loss or damage to personal property or loss of earnings.

**REPAIR OR REPLACEMENT AS SET FORTH IN THIS LIMITED WARRANTY IS THE SOLE EXCLUSIVE REMEDY OF THE PURCHASER. AUTOMATIC SHALL NOT BE LIABLE FOR ANY INCIDENTAL OR CONSEQUENTIAL DAMAGES FOR BREACH OF ANY EXPRESS OR IMPLIED WARRANTY ON THIS PRODUCT. EXCEPT TO THE EXTENT PROHIBITED BY APPLICABLE LAW, ANY IMPLIED WARRANTY OF MERCHANTABILITY OR FITNESS FOR A PARTICULAR PURPOSE ON THIS PRODUCT IS LIMITED IN LENGTH TO THE DURATION OF THIS WARRANTY.**

Please visit <http://blueox.com/warranty/> to register your warranty

