



## **BX1821 Installation Instructions 1993-2001 Nissan Altima**

**Utilization of Blue Ox baseplates with any tow bar not approved by Automatic Equipment Mfg. Co. invalidates the limited warranty.**

1. Read the General Instruction Sheet included with this baseplate.
2. The front bumper and plastic belly pan of the car will need to be removed so the baseplate can be put on. Five bolts hold the belly pan to the frame of the car. Remove the four bolts on the bottom of the bumper with a Phillips screwdriver. Next the small grill will need to be removed. There are five plastic screws that fasten it to the frame. When the grill is off you will see three screws, remove these. Remove the front three Phillips screws from the fender well mouldings so you have access to the three bolts that hold the quarter panel to the bumper. You will need a 10mm socket and long extension to do this. Disconnect the electrical connections on each side of the bumper. The bumper is now ready to be removed.
3. On each end of the frame are black triangular brackets held by three bolts, remove these brackets. The bolts will be used for the baseplate, set them off to the side.
4. The holes on the baseplate (item 1) match to the holes of the bracket. With an assistant bolt the baseplate to the frame of the car. Be sure to use Loctite on each of the bolts. Tighten the bolts secure.
5. The center brace of the baseplate extends to the frame. Using the hole of the center brace as a guide, drill a 17/32" hole in the frame. Use the 1/2" bolt (item 6) and lock washer ( item 5) along with the 1/2" wire nut ( item 4) to secure the center brace to the frame. Use an existing hole on the frame to place the wire nut in the frame.
6. With the baseplate and attachment tab brackets secured, the belly pan can be put on. It may be necessary to trim some of the belly pan because of the center brace of the baseplate.
7. Install the tow bar and safety cables according to the instructions included in their packages.
8. Do not substitute other devices if the tow bar pin and clip are lost.
9. DEALER OR INSTALLER: BE CERTAIN THE USER RECEIVES THE INSTRUCTION SHEET.

**Automatic**

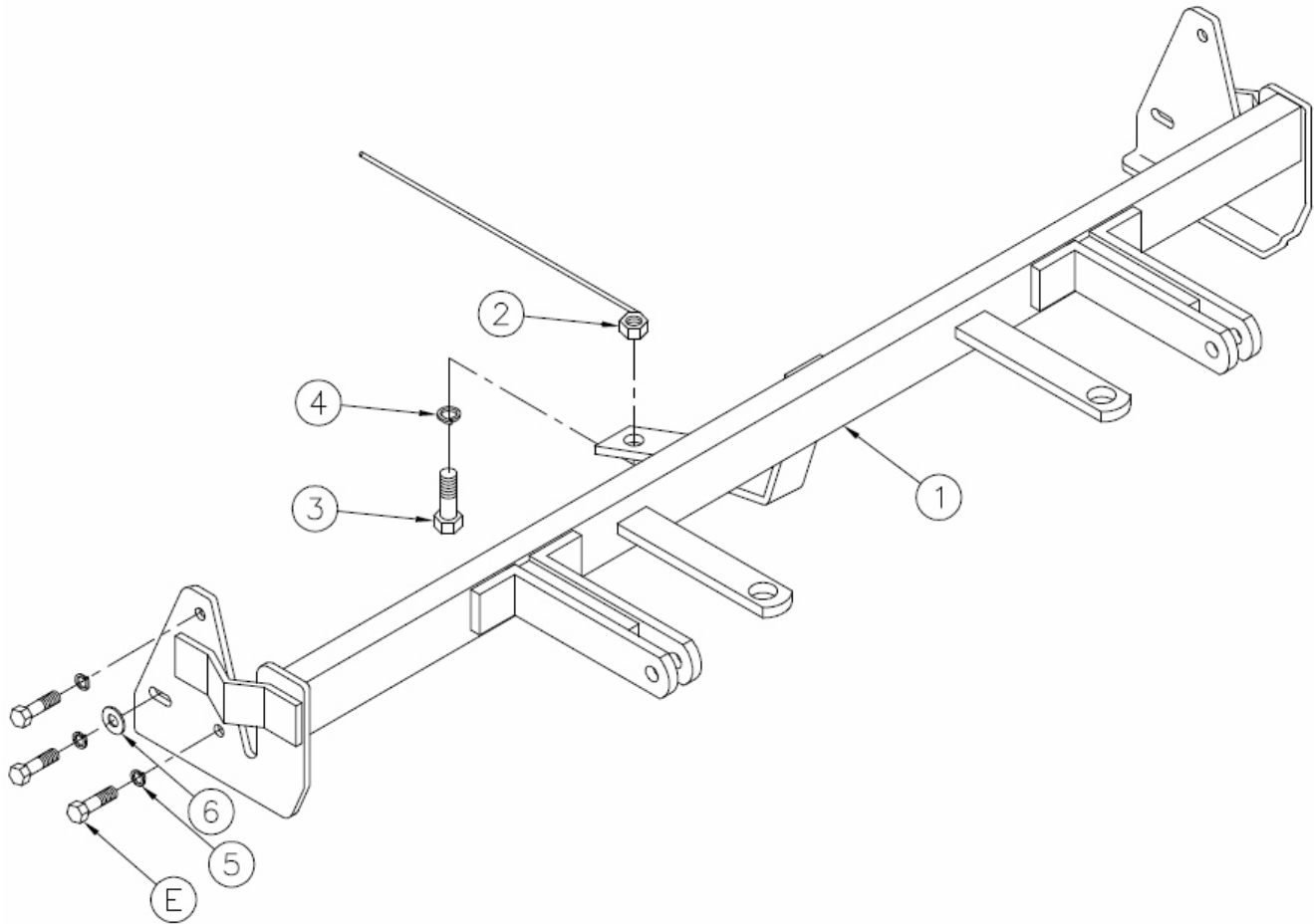


### Tools Required

10mm Wrench  
14mm Wrench  
9/16" Wrench

Phillips Screwdriver  
3/4" Wrench  
Flat Screwdriver

Loctite Blue  
17/32" Drill Bit  
Drill



### Parts List

Ref. No.	Qty.	Part No.	Description
1	1	61-5293	Weldment Baseplate, BX1821
2	1	61-4029	1/2" Wire Nut
3	1	201-0568	1/2-13 x 1 1/2 Hex Bolt, Grd 8, ZP
4	1	203-0012	1/2" Lock Washer
5	6	203-0104	10MM Lock Washer, ZP
6	2	203-0001	1/4" Flat Washer, ZP
E	6		Existing 6MM Hex Bolts
7	2	226-0046 (not shown)	Baseplate Safety Cable
8	4	229-0359 (not shown)	Quicklink, 3/8"

# Automatic