



BLUE OX®

Baseplate Installation Instructions

BX1971

2005-07 Dodge

Dakota

Installation Instructions

Serial Number

Please read BOTH these Installation Instructions and the General Instructions before attempting to install or operate this equipment.

Attachment Tab Height: 17.5"

Attachment Tab Width: 20"

1. Blue Ox® towing products and accessories are intended to be installed by Blue Ox® Dealers who are familiar with our products and have the equipment necessary and knowledge to do "fit work". When necessary Blue Ox® Dealers can be found at www.blueox.com or by contacting our Customer Care Department at (402) 385-3051.

2. Many Blue Ox® Baseplates are designed to use existing holes and hardware to mount the baseplate to the towed vehicle. Even though bolts are there, do not assume they are adequate for baseplate mounting. Always use hardware supplied in the hardware kit and existing hardware specified in the Baseplate Installation Instructions.

Confirm the towability and pre-towing procedures for your vehicle with the owner's manual or contact the vehicle's manufacturer for specific towing procedures.



If the front of your vehicle looks different than this, call us at (402) 385-3051.

Bolt Torque Specifications

Torque in Foot-Pounds for Metric Bolts

Bolt Size	Grade 8.8	Grade 10.9
6MM	6	8
8MM	16	22
10MM	31	40
12MM	54	70
14MM	89	117

Bolt Torque Specifications

Torque in Foot-Pounds for Inch Bolts

Bolt Size	Grade 5	Grade 8
1/4"	10	14
5/16"	19	29
3/8"	33	47
7/16"	54	78
1/2"	78	119
5/8"	154	230

! WARNING

Failure to read and follow these instructions could result in separation of the towed vehicle from the tow bar, causing property damage, loss of towed vehicle, personal injury or death.

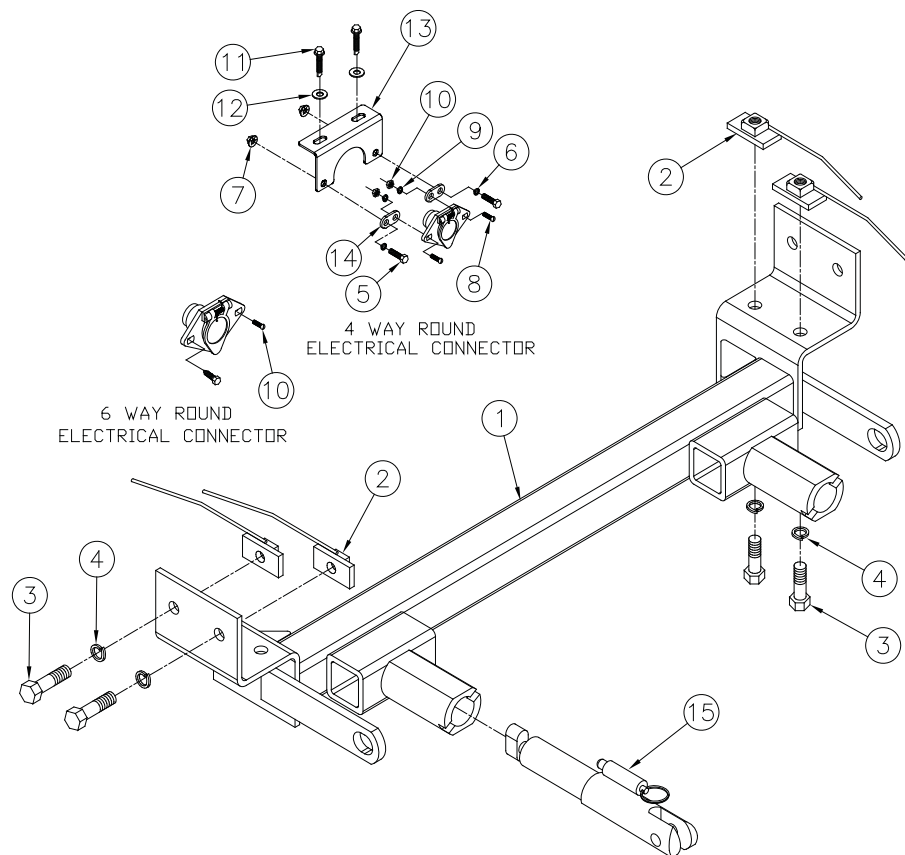
BX1971 2005-07 Dodge Dakota Installation Instructions

Parts List

Ref. No.	Qty.	Part #	Description
1	1	61-6086	Weldment, Baseplate, BX1971
2	8	61-4604	1/2-13 Nutplate, with 14" Wire
3	8	201-0051	1/2-13 x 1 1/2" Hex Bolt, Grade 5, ZP
4	8	203-0012	1/2" Lock Washer, ZP
5	2	201-0071	1/4-20 x 1" Hex Bolt, Grade 5, ZP
6	2	203-0008	1/4" Lock Washer, ZP
7	2	202-0069	1/4" Whiz Nut, ZP
8	2	201-0192	#10-32 x 1/2" Slot, Rd. HD. Screw
9	2	203-0054	#10 Lock Washer
10	2	202-0047	#10-32 Hex Nut
11	2	201-0654	#10-16 x 1" Self Driving Screw, ZP
12	2	203-0001	1/4" Flat Washer, ZP
13	1	101-6135	Electrical Bracket
14	2	101-5822	Adapter, 4 Way Connector
15	2	62-3469	Attachment, Assembly, SF/LB (R)
	2	226-0046	Baseplate Safety Cable, 36" CL III (Not Shown)
	2	229-0359	Quicklink, 3/8, ZP (Not Shown)
	2	290-0437	Cap Plug, Black (Not Shown)

Tools Required

18MM Socket
 3/4" Socket
 3/8" Socket
 5/16" Nut Driver
 17/32" Drill Bit
 30 Torx
 Large Vise Grips
 LOCTITE Red



Important:

Use only genuine factory replacement parts on your baseplate. Do NOT substitute homemade or non-typical parts. If a bolt is lost or in need of replacement, for your safety and the preservation of your baseplate, be sure to use a replacement bolt of the same grade (In most cases it will be Grade 5, please reference the parts list above). Replacement parts may be ordered through your nearest Blue Ox® Dealer or Distributor, or call our Customer Care Team at (402)385-3051. Failing to follow and/or altering these installation instructions in either installation or required equipment will void the manufacturer's warranty. Towing behind a non-motorized vehicle will void the warranty.

BX1971 2005-07 Dodge Dakota Installation Instructions

Removable Tab:

Motorhome mount tow bars are recommended for use with this baseplate. Due to the design of the removable tabs, the RangeFinder II, Adventurer, and Ambassador tow bars can not be used. The Acclaim tow bar may be used, but will not fold and store on the front of the vehicle. Adapters, except the BX8833 and the BX88151, can not be used with this baseplate.

Instructions:

The front bumper is removed and reinstalled for the baseplate installation. Drilling is required. Trimming of the air dam is required. Factory tow hooks must be removed and will remain off the vehicle after installation.

The dimensional variations between otherwise identical vehicles can be considerable. While the baseplate was designed for easy installation, it may be necessary to tailor the baseplate slightly to compensate for auto manufacturer's tolerances. These minor adjustments may include filing a hole slightly, bending electrical rods or bending end plates.

The BX8848, 4 Diode wiring kit is recommended for this vehicle.

Handling of some cosmetic parts when installing this product may require the use of protective covers, rags, specialty tools, etc. to prevent damage.

Installation Instructions



1. Using the 30 torx, remove three metric bolts from the edge of the wheel well, just forward of the front tire. Set the metric bolts aside to be reinstalled later. Do this to both sides of the vehicle.



2. Remove the pushpin from the lower edge of the fascia just below the license plate. Set the pushpin aside to be reinstalled later. Do this to both sides of the vehicle.

BX1971

2005-07 Dodge Dakota

Installation Instructions



3. Using the 18MM socket, remove four metric nuts. Located just behind the metal bumper, on the frame end. Set the metric nuts aside to be reinstalled later. Pull the metal bumper forward, unplug the electrical connections and set the metal bumper aside to be reinstalled later.

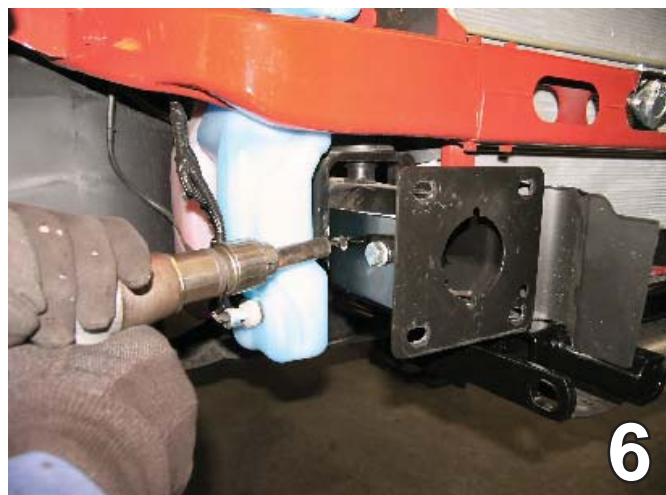


4. Measure and mark a horizontal line, 8" back from the lower front edge of the air dam, as indicated by the white arrow in the photo above, mark a horizontal line 2 1/2" below the first line and cut out the area with a utility knife. Do this to both sides of the vehicle. This will allow the baseplate to slide onto the frame rail.



5. Slide the baseplate onto the frame rail to align forward side hole with existing hole in the frame and clamp in place with the vise grips. Do this to both sides of the vehicle. Insert the nutplate into the end of the frame rail to align with the existing hole, tighten the 1/2-13 x 1 1/2" hex bolt and lock washer with the 3/4" socket. Do this to both sides of the vehicle.

Note: Some models may not have existing holes in frame. Slide baseplate forward and just behind the dimple in frame end (white arrow) and clamp in place with vise grip.



6. Using the baseplate as a template, drill the remaining three holes with the 17/32" drill bit. Do this to both sides of the vehicle.

When using power drills be aware of the dangers of torque and drill bit length.

BX1971
2005-07 Dodge Dakota
Installation Instructions



7. Insert the nut plates into the frame rail to align with the drilled holes, tighten the 1/2-13 x 1 1/2" hex bolts and the lock washer with the 3/4" socket into the nutplates. Do this to both sides of the vehicle.

BE SURE TO USE LOCTITE® RED ON ALL BOLTS BEFORE TIGHTENING. TIGHTEN ALL BOLTS ACCORDING TO THE TORQUE CHART ON THE FRONT PAGE OF THESE INSTRUCTIONS OR ON PAGE 3 OF THE BASEPLATE TOWING GENERAL INSTRUCTIONS.

8. Reinstall the metal bumper. **Be sure that all electrical connections are plugged in properly.**

Install the tow bar and safety cables according to the instructions included in their packages.

Do not substitute other devices if the tow bar pin and clip are lost.

DEALER OR INSTALLER: BE CERTAIN THE USER RECEIVES THE INSTRUCTION SHEETS.

BX1971
2005-07 Dodge Dakota
Installation Instructions



CUSTOMER SERVICE COMMITMENT

Blue Ox is committed to providing you with exceptional customer care throughout your lifetime with our products. Our team is here to assist you with any questions you may have regarding the performance of your product. Simply call 1-800-228-9289 and you can speak with our customer care team.



Additionally, please visit our website to see which rallies our Destination America team will be attending. For a nominal fee, our service technician will service your towing system to ensure it's in proper working condition. Also as a commitment to our customers, should you visit our factory you can stay at our full service Blue Ox campground at no charge along with enjoying a factory tour.

Again thank you for being our customer and for the confidence you have shown in the performance of our products. It is because of customers like you we enjoy the success we have today.

If the baseplate is in an accident, it must be replaced. DO NOT use it again! An accident can cause unseen damage and using it again could result in more damage or serious injury. DO NOT use the baseplate if it is damaged or missing parts.



© 2007 Blue Ox
One Mill Road, Industrial Park
Pender, Nebraska 68047
Phone: (402) 385-3051
Toll Free: (888) 425-5382
Fax: (402) 385-3360
www.blueox.com