



BX2119

1995-98 Ford Explorer
(Not Limited)
1997-98 Ford Explorer
(Eddie Bauer Edition)
Installation Instructions

Serial Number

Please read BOTH these Installation Instructions and the General Instructions before attempting to install or operate this equipment.

Attachment Tab Height: 15"
Attachment Tab Width: 24"

- Blue Ox® towing products and accessories are intended to be installed by Blue Ox® Dealers who are familiar with our products and have the equipment necessary and knowledge to do "fit work". When necessary Blue Ox® Dealers can be found at www.blueox.com or by contacting our Customer Care Department at (402) 385-3051.
- Many Blue Ox® Baseplates are designed to use existing holes and hardware to mount the baseplate to the towed vehicle. Even though bolts are there, do not assume they are adequate for baseplate mounting. Always use hardware supplied in the hardware kit and existing hardware specified in the Baseplate Installation Instructions.

Bolt Torque Specifications
Torque in Foot-Pounds for Metric Bolts

Bolt Size	Grade 8.8	Grade 10.9
6MM	6	8
8MM	16	22
10MM	31	40
12MM	54	70
14MM	89	117

Confirm the towability and pre-towing procedures for your vehicle with the owner's manual or contact the vehicle's manufacturer for specific towing procedures.

Bolt Torque Specifications
Torque in Foot-Pounds for Inch Bolts

Bolt Size	Grade 5	Grade 8
1/4"	10	14
5/16"	19	29
3/8"	33	47
7/16"	54	78
1/2"	78	119
5/8"	154	230

Handling of some cosmetic parts when installing this product may require the use of protective covers, rags, specialty tools, etc. to prevent damage.

⚠ WARNING

Failure to read and follow these instructions could result in separation of the towed vehicle from the tow bar, causing property damage, loss of towed vehicle, personal injury or death.

BX2119

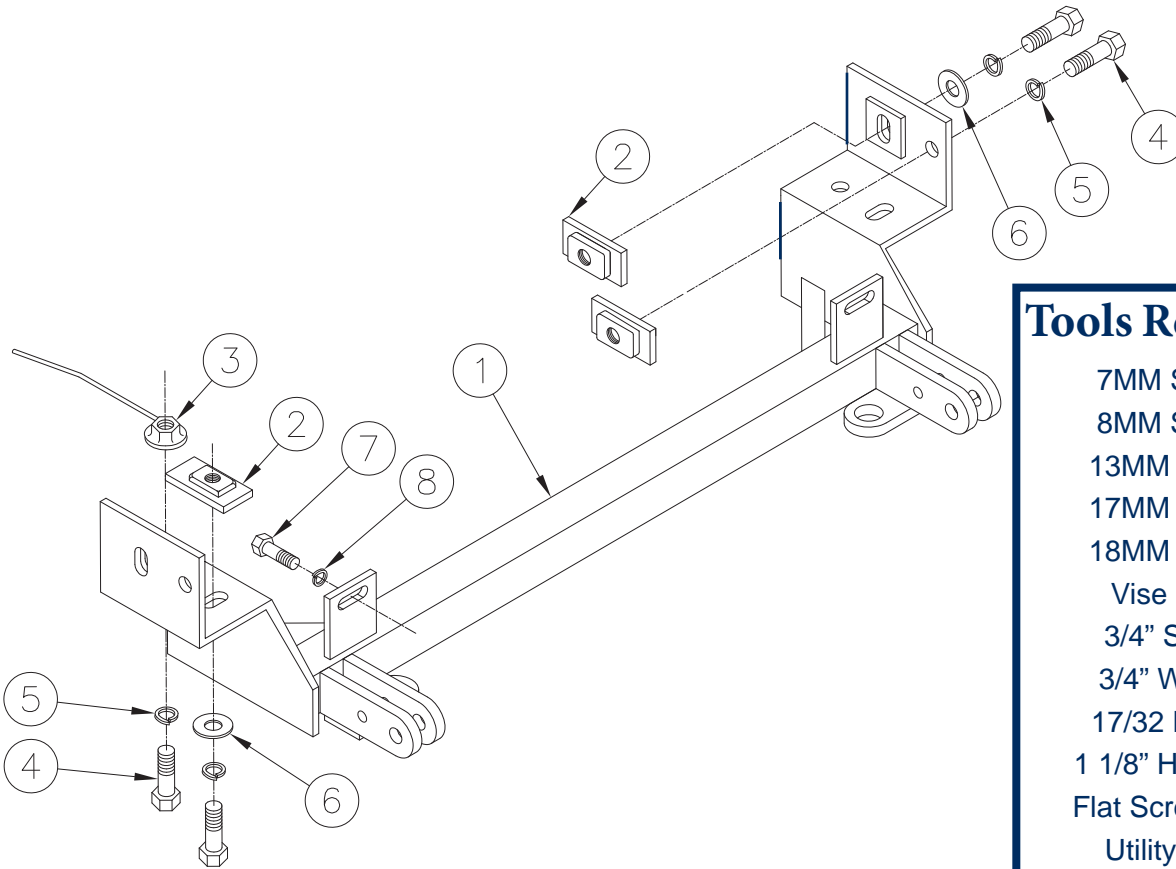
1995-98 Ford Explorer (Not Limited)

1997-98 Ford Explorer (Eddie Bauer Edition)

Installation Instructions

Parts List

Ref. No.	Qty.	Part #	Description
1	1	61-4624	Weldment, Baseplate, BX2119
2	6	61-3950	1/2-13" Nut Plate
3	2	61-4029	1/2-13 Whiz Nut with 10" Wire
4	8	201-0068	1/2-13 x 1 3/4" Hex Bolt, Grd. 5
5	8	203-0012	1/2" Lock Washer
6	4	203-0005	1/2" Flat Washer
7	2	201-0410	10mm-1.5 x 35mm Hex Bolt, Grd. 8.8
8	2	203-0104	10mm Lock Washer
	2	226-0046	Baseplate Safety Cable, 36" CL III (Not Shown)
	4	229-0359	Quicklink, 3/8, ZP (Not Shown)



Tools Required

7MM Socket
 8MM Socket
 13MM Socket
 17MM Socket
 18MM Socket
 Vise Grips
 3/4" Socket
 3/4" Wrench
 17/32 Drill Bit
 1 1/8" Hole Saw
 Flat Screwdriver
 Utility Knife
 LOCTITE Red

Important:

Use only genuine factory replacement parts on your baseplate. Do NOT substitute homemade or non-typical parts. If a bolt is lost or in need of replacement, for your safety and the preservation of your baseplate, be sure to use a replacement bolt of the same grade (In most cases it will be Grade 5, please reference the parts list above). Replacement parts may be ordered through your nearest Blue Ox® Dealer or Distributor, or call our Customer Care Team at (402)385-3051. Failing to follow and/or altering these installation instructions in either installation or required equipment will void the manufacturer's warranty. Towing behind a non-motorized vehicle will void the warranty.

BX2119
1995-98 Ford Explorer
(Not Limited)
1997-98 Ford Explorer
(Eddie Bauer Edition)
Installation Instructions

Standard Tab Spacing Guidelines:

To use certain adapters or a RangeFinder II tow bar in conjunction with standard tab baseplates an additional 5/16" hole must be drilled in the attachment tabs. The Ambassador tow bar will require an adapter for attachment tabs that are not 24" wide. The Adventurer tow bar will require an adapter for attachment tabs that are less than 24" wide. The Acclaim tow bar will not fold and store without the use of an adapter on vehicles with attachment tabs less than 24" wide. The BX88152 adapter cannot be used with this baseplate.

Instructions:

These vehicles weigh is over 3500 lbs. and require a class III 5,000 lb rated tow bar, hitch and accessories. Utilization of Blue Ox baseplates with any other tow bar not approved by Automatic Equipment Manufacturing Company invalidates the limited warranty.

Installation of this baseplate requires removing the belly pan and plastic air dam from the vehicle. A small amount of trimming may need to be done to the air dam. Drilling is required.

The dimensional variations between otherwise identical vehicles can be considerable. While the baseplate was designed for easy installation, it may be necessary to tailor the baseplate slightly to compensate for auto manufacturer's tolerances. These minor adjustments may include filing a hole slightly, bending electrical rods, and/ or bending end plates.

Installation Instructions

1. Read the Baseplate General Instructions Sheet included with this baseplate.
2. Use a 7MM socket to remove the three screws that attach the belly pan underneath the radiator. Remove the belly pan. Set belly pan and screws aside to be reinstalled later.
3. Remove the plastic air dam underneath the metal bumper. Use an 8MM socket to remove the eight screws, and a flat screwdriver to remove the three plastic pushpins, from the top of the air dam. Set these pushpins aside to be reinstalled later.
4. The lower slots on the end of the end mounts of the baseplate will match up with a slot on the bottom of the frame rails. Guide a nut plate up through the slot and position the plate inside the frame rail and over the slot, with the weld nut up.
5. Notice the bumper mounts on the end of the frame rails. There is a horizontal mount welded to the frame rails and a vertical flat to the inside of the frame rails. The vertical flat is bolted to the bumper at each end. Use a 13MM socket to remove the bottom bolt from both vertical mounts. **THESE BOLTS WILL NOT BE USED OR REPLACED FOR THE BASEPLATE INSTALLATION.**

BX2119
1995-98 Ford Explorer
(Not Limited)
1997-98 Ford Explorer
(Eddie Bauer Edition)
Installation Instructions

6. With an assistant, hold the baseplate up to the bottom of the frame rails. Apply LOCTITE Red to the threads of the 10MM x 35MM bolts and start them, along with a 10MM lock washer, into the vertical mount holes just exposed. If these two holes do not appear to be centered on the frame rails of the vehicle, use an 18MM socket to loosen the large bolts on the horizontal, welded mount discussed in the previous step. These bolts are in large horizontal slots so the metal bumper can be moved to the side, if necessary, to center it with the frame rails. There will be two bolts on each mount. **NOTE: Some models have hoses extending up in front of the radiator. Push the hoses back making sure not to bend the machined fitting/tubing on the lower piece of the hoses.**
7. Once the 10MM bolts are started, apply LOCTITE Red to the 1/2 x 1 3/4" bolts and start it through the slots on the outside of the frame rail. Run the bolts through the frame rail and out through the slots on the side of the baseplate end mount with a 1/2" flat washer and 1/2" lock washer fastened to nut plates, but **DO NOT TIGHTEN THE BOLTS COMPLETELY YET.** Do this to both sides of the vehicle.
8. Place a 1/2" lock and flat washer on a 1/2 x 1 3/4 bolt, apply LOCTITE Red, and start the bolt through the bottom slot and into the nut plate. **DO NOT TIGHTEN THE BOLTS COMPLETELY YET.** Do this to both sides of the vehicle.
9. When all the bolts have been started, use a 17MM socket to tighten the 10MM bolts. Then use a 3/4" socket and short extension to tighten the bolts into the nut plates. When all bolts are tight, use the 18MM socket to tighten the bolts in the bumper if they were loosened from step 7. **Be sure to use LOCTITE Red on ALL bolts before tightening. Tighten all bolts according to the torque chart in the General Instruction sheet.**
10. Using the baseplate as a template, drill that back hole with the 17/32" drill bit. Insert the 1/2-13 whiz nut with wire through the end of the frame rail to align with the drilled hole and tighten the 1/2-13 hex bolt with the lock washer. Do this to both sides of the vehicle.
11. Insert the 1/2-13 whiz nut with the wire into the hole to align with the drilled hole, tighten 1/2-13 hex bolt and lock washer. Do this to both sides of the vehicle. **Be sure to use LOCTITE Red on ALL bolts before tightening. Tighten all bolts according to the torque chart in the General Instruction sheet.**
12. The air dam can now be reinstalled onto the bumper. A very small amount of trimming may be necessary. Use a utility knife to trim a small slot in the back of the air dam to allow access for the baseplate bumper mounts.

BX2119
1995-98 Ford Explorer
(Not Limited)
1997-98 Ford Explorer
(Eddie Bauer Edition)
Installation Instructions

13. On the driver and passenger side mounts there is a 3/8" hole that matches up to a solid section of the tie down. Using the hole in the mounts as a template, drill a 13/32" hole through the tie down bracket on both sides of the car.

When using power drills be aware of the dangers of torque and drill bit length.

14. With the holes drilled, bolt the mount to the tie down using a 3/8-16 x 1" bolt, lock nut, and LOCTITE Red. Tighten securely.

Install the tow bar and safety cables according to the instructions included in their packages.

Do not substitute other devices if the tow bar pin and clip are lost.

DEALER OR INSTALLER: BE CERTAIN THE USER RECEIVES THE INSTRUCTION SHEETS.

If the baseplate is in an accident, it must be replaced. DO NOT use it again! An accident can cause unseen damage and using it again could result in more damage or serious injury. DO NOT use the baseplate if it is damaged or missing parts.

CUSTOMER SERVICE COMMITMENT

Blue Ox is committed to providing you with exceptional customer care throughout your lifetime with our products. Our team is here to assist you with any questions you may have regarding the performance of your product. Simply call 1-(402)-385-3051 and you can speak with our customer care team.

Additionally, please visit our website to see which rallies our Destination America team will be attending. For a nominal fee, our service technician will service your towing system to ensure it's in proper working condition. Also as a commitment to our customers, should you visit our factory you can stay at our full service Blue Ox campground at no charge along with enjoying a factory tour.

Again thank you for being our customer and for the confidence you have shown in the performance of our products. It is because of customers like you we enjoy the success we have today.



© 2005, 06, 10 Blue Ox
One Mill Road, Industrial Park
Pender, Nebraska 68047
Phone: (402) 385-3051
Toll Free: (888) 425-5382
Fax: (402) 385-3360
www.blueox.com