



BX2124  
 1997 -'03 Ford F150 2WD  
 (Includes Heritage Edition)  
 Installation Instructions

**Serial Number**

Attachment Tab Height: 19"  
 Attachment Tab Width: 24"

**Please read BOTH these Installation Instructions and the General Instructions before attempting to install or operate this equipment.**

- Blue Ox® towing products and accessories are intended to be installed by Blue Ox® Dealers who are familiar with our products and have the equipment necessary and knowledge to do "fit work". When necessary Blue Ox® Dealers can be found at [www.blueox.com](http://www.blueox.com) or by contacting our Customer Care Department at (402) 385-3051.
- Many Blue Ox® Baseplates are designed to use existing holes and hardware to mount the baseplate to the towed vehicle. Even though bolts are there, do not assume they are adequate for baseplate mounting. Always use hardware supplied in the hardware kit and existing hardware specified in the Baseplate Installation Instructions.

**Bolt Torque Specifications**  
 Torque in Foot-Pounds for Metric Bolts

Bolt Size	Grade 8.8	Grade 10.9
6MM	6	8
8MM	16	22
10MM	31	40
12MM	54	70
14MM	89	117

**Bolt Torque Specifications**  
 Torque in Foot-Pounds for Inch Bolts

Bolt Size	Grade 5	Grade 8
1/4"	10	14
5/16"	19	29
3/8"	33	47
7/16"	54	78
1/2"	78	119
5/8"	154	230

Confirm the towability and pre-towing procedures for your vehicle with the owner's manual or contact the vehicle's manufacturer for specific towing procedures.

**WARNING**

Failure to read and follow these instructions could result in separation of the towed vehicle from the tow bar, causing property damage, loss of towed vehicle, personal injury or death.

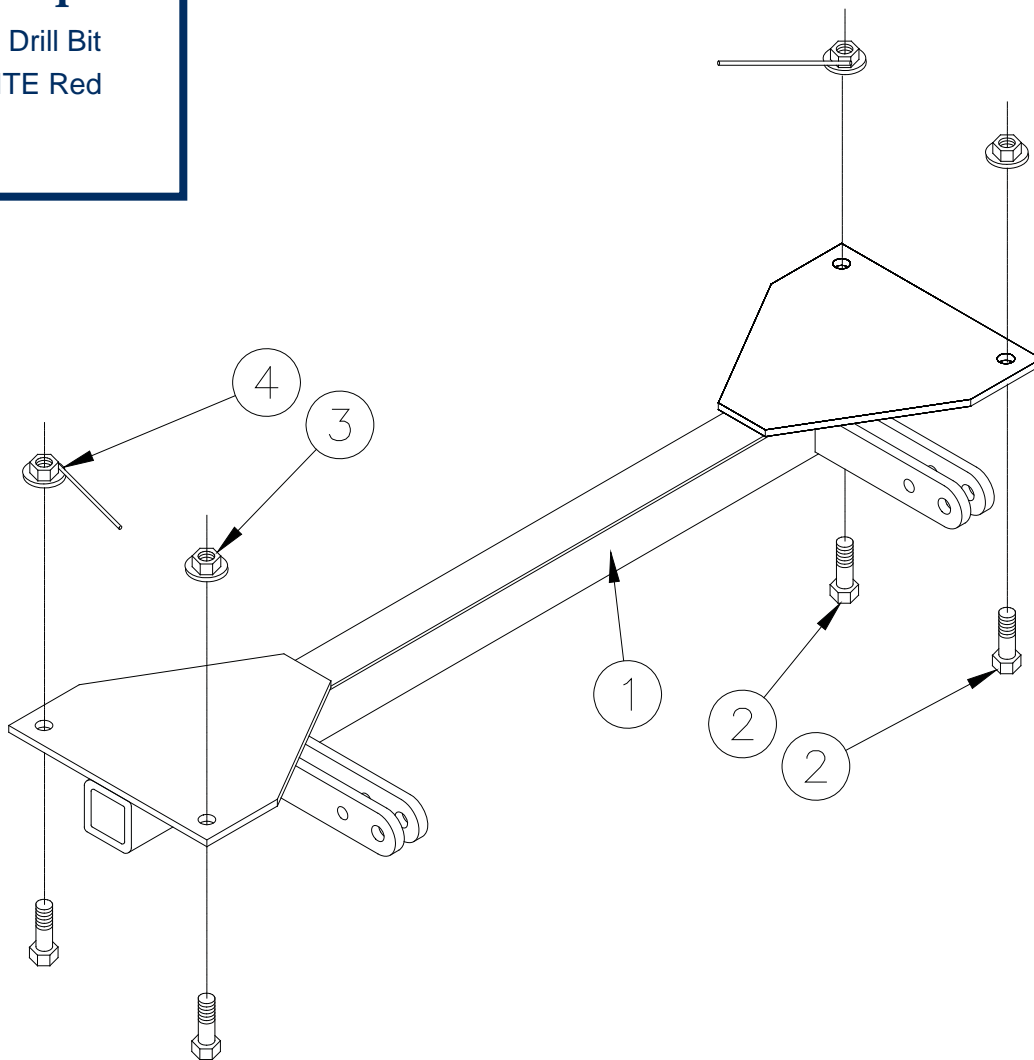
# BX2124 1997 -'03 Ford F150 2WD (Includes Heritage Edition) Installation Instructions

## Parts List

Ref. No.	Qty.	Part #	Description
1	1	61-4788	Weldment, Baseplate BX2124
2	4	201-0051	1/2-13 x 1 1/2" Hex Bolt, Grade 5
3	2	202-0072	1/2-13 Whiz Lock Nut
4	2	61-4029	1/2-13 Wire Nut
	2	226-0049	Baseplate Safety Cable, 36" CL IV (Not Shown)
	4	229-0512	Quicklink, 1/2, ZP (Not Shown)

## Tools Required

17/32" Drill Bit  
LOCTITE Red



### Important:

Use only genuine factory replacement parts on your baseplate. Do NOT substitute homemade or non-typical parts. If a bolt is lost or in need of replacement, for your safety and the preservation of your baseplate, be sure to use a replacement bolt of the same grade (In most cases it will be Grade 5, please reference the parts list above). Replacement parts may be ordered through your nearest Blue Ox® Dealer or Distributor, or call our Customer Care Team at (402)385-3051.

BX2124  
**1997 -'03 Ford F150 2WD**  
(Includes Heritage Edition)  
**Installation Instructions**

## **Standard Tab Spacing Guidelines:**

To use certain adapters or a RangeFinder II tow bar in conjunction with standard tab baseplates an additional 5/16" hole must be drilled in the attachment tabs. The Ambassador tow bar will require an adapter for attachment tabs that are not 24" wide. The Adventurer tow bar will require an adapter for attachment tabs that are less than 24" wide. The Acclaim tow bar will not fold and store without the use of an adapter on vehicles with attachment tabs less than 24" wide. The BX88151 adapter cannot be used with this baseplate.

## **Instructions:**

**The installation of this baseplate requires removing and notching out the plastic strip bolted to the bottom of the bumper. Drilling is required.**

**The dimensional variations between otherwise identical vehicles can be considerable. While the baseplate was designed for easy installation, it may be necessary to tailor the baseplate slightly to compensate for auto manufacturer's tolerances. These minor adjustments may include filing a hole slightly, bending electrical rods, and/ or bending end plates.**

## **Installation Instructions**

1. Read the Baseplate General Towing Instructions Sheet included with the baseplate.
2. The baseplate mounts to the bottom of the frame using four bolts supplied with the baseplate.
3. Remove the plastic strip that is bolted to the bottom of the bumper.
4. The four mounting holes for the baseplate will need to be drilled in the bottom of the frame. To mark the holes, hold the baseplate against the bottom of the frame with the front edge of the mount plates flush with the front edge of the frame. Mark the four holes and set the baseplate aside.
5. Drill the four holes using a 17/32" drill bit.
6. Bolt the baseplate to the frame using the 1/2" x 1 1/2" bolts and lock nuts provided. The nut wires will be needed on the rear bolts. Even though these are locking nuts be sure to use LOCTITE Red to make sure the bolts will not work loose.
7. Replace the plastic strip . You will need to notch the plastic to allow the attachment tabs to protrude.

Install the tow bar and safety cables according to the instructions included in their packages.

Do not substitute other devices if the tow bar pin and clip are lost.

**DEALER OR INSTALLER: BE CERTAIN THE USER RECEIVES THE INSTRUCTION SHEETS.**

BX2124  
1997 -'03 Ford F150 2WD  
(Includes Heritage Edition)  
Installation Instructions

**Customer Service Commitment**

Blue Ox® is focused on providing exemplary customer service, as observed in our mission statement and guiding principles.

In accordance with this objective, Blue Ox® is proud to provide services such as repairs and general maintenance of Blue Ox® products at over 150 RV Rallies. Look for our Destination America or Blue Ox® Racing service crews at the next rally or NASCAR race that you attend. If you were not present, you will find an informative, personalized note explaining any services that may have been performed to your Blue Ox® products.

Blue Ox® also offers educational seminars at rallies and through our Parks and Resort teams. In addition, Blue Ox® customers visiting our factory may take advantage of the well-equipped Blue Ox® RV park at no charge to you, our valued and appreciated customer.



© 2004, 06, 10 Blue Ox  
One Mill Road, Industrial Park  
Pender, Nebraska 68047  
Phone: (402) 385-3051  
Toll Free: (888) 425-5382  
Fax: (402) 385-3360  
[www.blueox.com](http://www.blueox.com)