



BX2212 Installation Instructions 1990-93 Honda Accord

Utilization of Blue Ox baseplates with any tow bar not approved by Automatic Equipment Mfg. Company invalidates the limited warranty.

Installation of this baseplate requires removing the plastic belly pan and both of the vehicle's tie down brackets. In addition, the belly pan will be notched out.

1. Read the General Instruction sheet included with this baseplate.
2. The baseplate mounts to the front underside of the car using ten bolts; five on each side of the car.
3. Remove the plastic belly pan from the front underside of the car. It is held on with 8 hex bolts (10mm socket), 2 plastic screws (screw driver), and 2 plastic pop-in pins (pull down with pliers). Save all parts for later installation.
4. Remove both of the tie-down brackets. Each is attached with 3 hex head bolts (13mm socket). Inspect and save the bolts for re-use.
5. Place a jack under the left to right horizontal engine mount cross beam, near the center, for support. Remove only 2 of the hex head bolts, both on the same side, which attach the cross beam to the chassis (17mm socket). Inspect and save for re-use.
6. **Loosely**, install a Mount on the same side as step 5. (See General Instruction Sheet) The lower horizontal edge of the plastic bumpers must be compressed upward. Hand tighten the 2 cross beam bolts.
7. Repeat step 5 & 6 for the other side. DO NOT YET FULLY TIGHTEN.
8. The dimensional variations between otherwise identical cars can be considerable. While the location and size of the holes in the baseplate were designed to facilitate easy installation, it may be necessary to file or drill a hole slightly to allow a bolt to clear.
9. Attach the baseplate to the Left and Right Mounts, using the 1/2-13 hardware provided. (See General Instruction Sheet). Do Not Yet Fully Tighten.
10. Tighten the 4 (2/side) engine cross beam bolts first. Tighten completely.
11. Tighten all other hardware in sequence.
12. Fit and notch the belly pan using a scissors, and re-install on the car. Note that only two small squares (approx. 3"x 3") need be removed at the front around either side of the engine cross beam.
13. Included in the manual package is a dash decal for your car to remind you how to set up the transmission to tow. Place the decal on the dash of your Honda or on the tow bar or anywhere it will remind you to make sure you transmission will be properly shifted before you tow. Detailed instructions appear later in this instruction sheet.
14. Install the tow bar and safety cables according to the instructions included in their packages.
15. Do not substitute other devices if the pin and clip are lost.
16. **DEALER OR INSTALLER: BE CERTAIN THE USER RECEIVES THE INSTRUCTION SHEET.**

Parts List

Ref No.	Qty.	Part No.	Description
1	1	61-3315	Weldment, Baseplate, BX2212
2	1	61-3316	Weldment, Mount, D-Side, BX2212
3	1	61-3317	Weldment, Mount, P-Side, BX2212

Automatic

4	4	201-0051	1/2-13 x 1 1/2 Hex Head Bolt, Grade 5
5	4	202-0005	1/2-13 Hex Nut
6	4	203-0012	1/2 Lock Washer
7	1	292-2127	(Not Shown) Decal, Honda Transmission Set-up
	2	226-0046	Baseplate Safety Cable, 36" CL III (Not Shown)
	4	229-0359	Quicklink, 3/8, ZP (Not Shown)

Tools Required

10mm Socket
3/4" Socket
Pliers

13mm Socket
Locktite Blue
Scissors

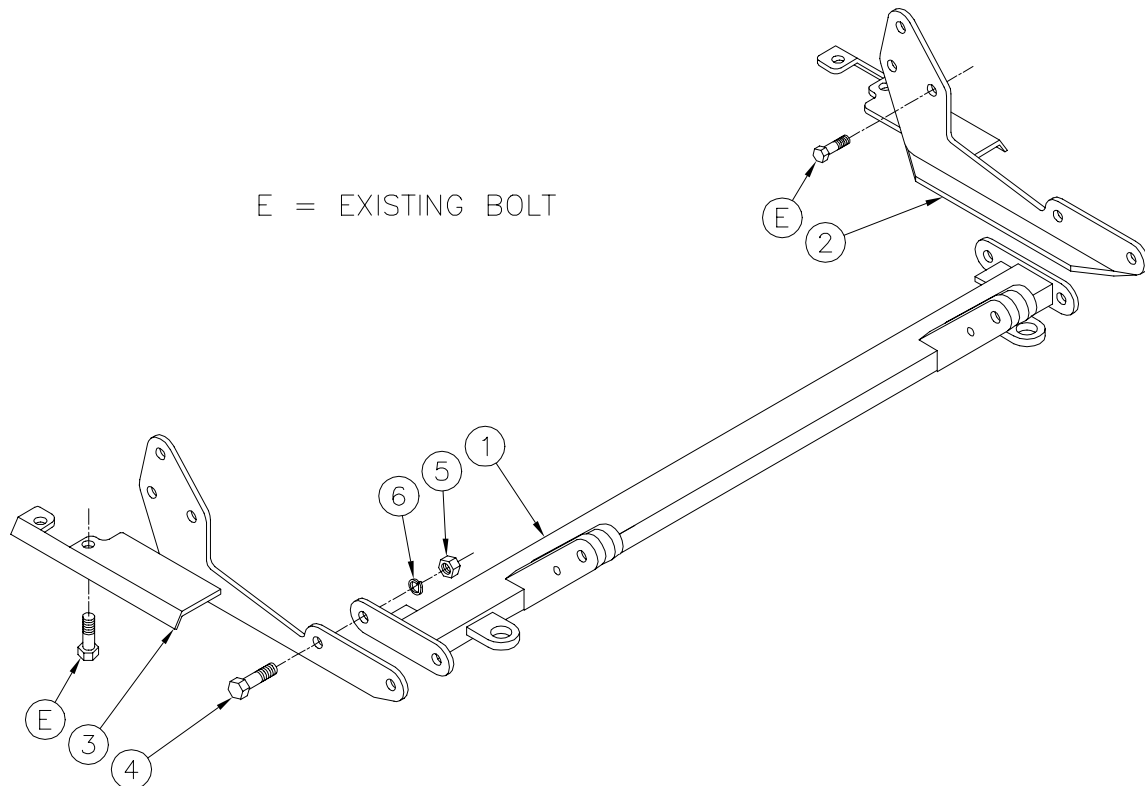
17mm Socket
Screwdriver
Jack

1989 & Newer Honda Automatics

All Honda and Acura automatic transmission vehicles, any model, any year, can be towed without special pumps or drive shaft disconnects. Please note however that Honda and Acura automatic transmissions for 1989 & newer were modified so they cannot be shifted rapidly from reverse to drive. Rapid shifting from reverse to drive can damage any automatic transmission.

Honda advises that the modification leaves a portion of the automatic transmission in reverse when it is only shifted from reverse to neutral. This partial neutral condition cannot be detected by revving the engine. because the car will not move even though a portion of the transmission is still in reverse. If the car is towed on all four wheels in this false-neutral condition, the automatic transmission will be damaged.

To make sure that the automatic transmission is completely in neutral, it must be shifted to drive and then to neutral before turning the engine off and towing the car on all four wheels. In other words, a 1989 and newer model Honda or Acura car equipped with an automatic transmission can be towed on all four wheels without damaging the transmission, if the transmission lever is shifted from the drive position to the neutral position before the engine is turned off. If the transmission lever is shifted from the reverse position to the neutral position, the automatic transmission will be damaged when the car is towed on all four wheels.



E = EXISTING BOLT