



## BX2306 Installation Instructions 1996-98 Hyundai Accent

Utilization of Blue Ox baseplates with any tow bar not approved by Automatic Equipment Manufacturing Company invalidates the limited warranty.

Installation of this baseplate requires removing the plastic rock guards and the tie down brackets.

1. Read the General Instruction Sheet included with this baseplate.
2. The baseplate will utilize the tie down bracket holes and the cross member frame bolt holes.
3. Remove the Phillips screws that fasten the black rock guard. There are two screws and one bolt on each side of the vehicle. The bolt is located at the lower inside of the fender well. Use a 10mm wrench for this bolt. With the screws and bolts removed, pull down the black plastic so you have access to remove the tie down brackets. You will need a 14mm wrench or socket to remove these bolts (three with each bracket). It may be necessary to loosen the windshield washer reservoir to remove the passenger side tie down bracket. When facing the front of the vehicle, you will see two bolts that hold that hold a frame for the transmission. Remove the left side bolt only.
4. Position the baseplate to the frame so the holes on the side plates match the holes of the tie down brackets. Put the bolts (use existing bolts) on each end of the side plate, do not tighten. Use Loctite Blue with each bolt. Now bolt the center brace (using existing bolt) of the baseplate to the frame mount of the transmission. Tighten all the bolts.
5. Replace the plastic rock guards.
6. Install the tow bar and safety cables according to the instructions included in their packages.
7. Do not substitute other devices if the tow bar pin and clip are lost.
8. DEALER OR INSTALLER: BE CERTAIN THE USER RECEIVES THE INSTRUCTION SHEET.

### Tools Required

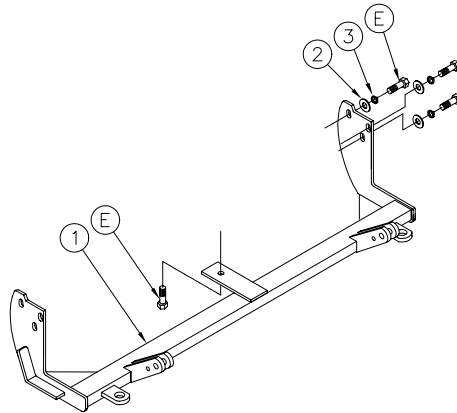
10mm Wrench  
Phillips Screwdriver

14mm Wrench

Loctite Blue

### Parts List

Ref. No.	Qty.	Part No.	Description
1	1	61-5110	Baseplate Weldment, BX2306
2	6	203-0005	1/2" Flat Washer
3	6	203-0012	1/2" Lock Washer
4			Existing Bolts



# Automatic