



BX2655

2015-19 Ford Transit 150/250/350 Installation Instructions

Attachment Tab Height: 17-1/2"

Attachment Tab Width: 24"

Serial Number

Please read BOTH these Installation Instructions and the General Information sheet prior to installing or operating this equipment.

1. Blue Ox® towing products and accessories are intended to be installed by Blue Ox® Dealers who are familiar with our products and have the equipment and knowledge necessary to do "fit work". If needed, Blue Ox® Dealers can be found at www.blueox.com or by contacting our Technical Service Department at (402) 385-3051.
2. Many Blue Ox® baseplates are designed to use existing holes and hardware to mount the baseplate to the towed vehicle. Even though bolts are there, do not assume they are adequate for baseplate mounting. Always use the hardware supplied in the hardware kit and existing hardware as specified in the installation instructions.



If the front of your vehicle looks different than this, please contact us at (402)385-3051.

Reference your vehicle owner's manual for manufacturer's towing specifications.

Bolt Torque Specifications

Torque in Foot-Pounds for Inch Bolts

Bolt Size	Grade 5	Grade 8
1/4"	10	14
5/16"	19	29
3/8"	33	47
7/16"	54	78
1/2"	78	119
5/8"	154	230
3/4"	257	380

Bolt Torque Specifications

Torque in Foot-Pounds for Metric Bolts

Bolt Size	Grade 8.8	Grade 10.9
6MM	6	8
8MM	16	22
10MM	31	40
12MM	54	70
14MM	89	117
16MM	161	230
18MM	222	318



WARNING

Failure to read and follow these instructions could result in separation of the towed vehicle from the tow bar, causing property damage, loss of towed vehicle, personal injury or death.

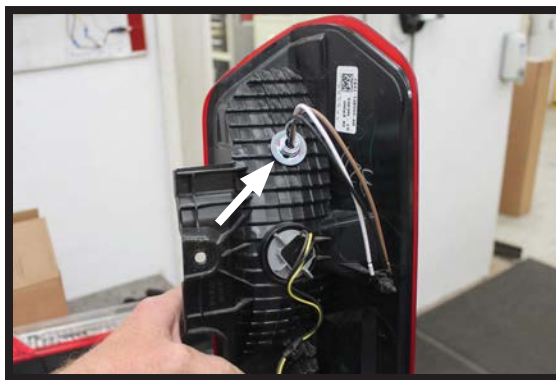
BX2655
2015-19 Ford Transit 150/250/350
Installation Instructions

Instruction Notes: The fascia and windshield washer fluid reservoir are removed and reinstalled for the baseplate installation. Some drilling and trimming is required.

Place all components that are removed on a flat, sturdy surface. All items will be reinstalled unless otherwise noted after the baseplate is installed.

The dimensional variations between otherwise identical vehicles can be considerable. While the baseplate was designed for easy installation, it may be necessary to tailor the baseplate slightly to compensate for vehicle manufacturer's tolerances.

The BX8869 Tail Light Wiring Kit is recommended for this vehicle.



Drill a hole according to the tail
light wiring kit instructions.

NOTICE

- Handling of some cosmetic parts when installing this product may require the use of protective covers, rags, specialty tools, etc. to prevent damage.
- When using power drills be aware of the dangers of torque and drill bit length.
- When using a reciprocating saw be aware of objects behind the cutting surface.
- Use a good quality paint to spray cut edges of frame to prevent rusting.
- Be sure that **ALL** electrical connections are plugged in and accessories are functioning properly before reinstalling the fascia.
- The baseplate is computer tested to your vehicle's GVWR, exceeding this weight will void the manufacturer's warranty.
- Be sure to use a sufficient amount of Loctite® Red on all bolt threads before tightening. Tighten all bolts according to the torque chart provided.
- Dealer or installer be certain the user receives these instruction sheets.
- If the baseplate is in an accident, it must be replaced. **DO NOT** use it again! An accident can cause unseen damage and using it again could result in more damage or serious injury. **DO NOT** use the baseplate if it is damaged or missing parts.

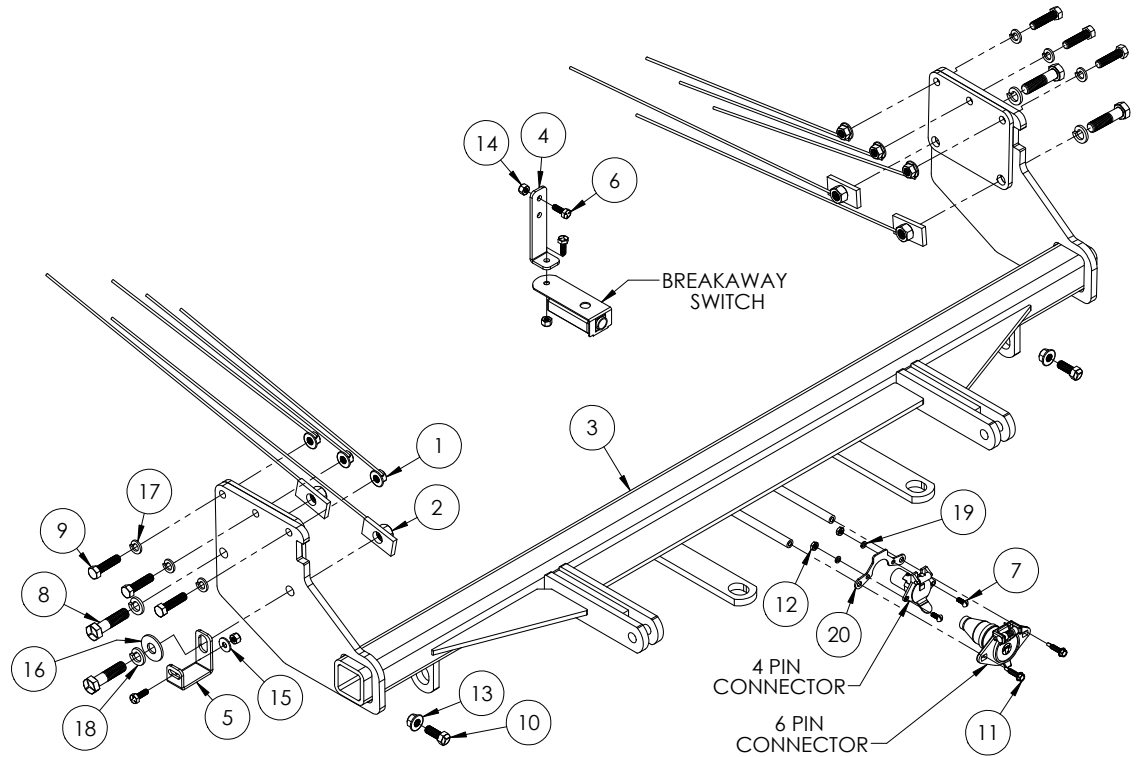
BX2655

2015-19 Ford Transit 150/250/350

Installation Instructions

Tools Required

Large Vise Grip
 Flat Screwdriver
 Utility Knife
 Torque Wrench
 Drill
 Reciprocating Saw
 Loctite® RED
 3/8" Drill Bit
 1/2" Drill Bit
 10MM Socket
 12MM Socket
 13MM Socket
 14MM Socket
 9/16" Socket
 9/16" Wrench
 3/4" Socket
 T25 Torx
 T30 Torx

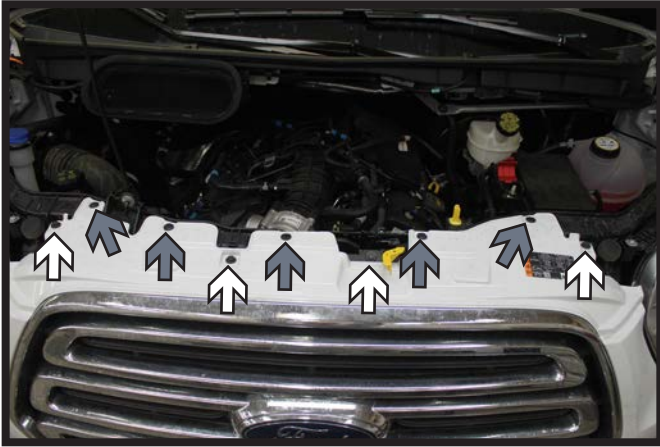


Item No.	Part No.	Description	Qty.
1.....	61-4978	3/8" Whiz Nut w/ 14" Wire	6
2.....	61-5496	1/2" Nut Plate w/ 14" Wire	4
3.....	61-7475	BX2655 Baseplate.....	1
4.....	102-7186	Breakaway Bracket	1
5.....	102-7613	Washer Reservoir Bracket.....	1
6.....	201-0050	1/4"-20 x 3/4" Hex Head Bolt, Grade 5, ZP	3
7.....	201-0192	#10-32 1/2" Round Slotted Head Screw.....	2
8.....	201-0283	1/2"-13 x 2" Hex Head Bolt, Grade 5, ZP	4
9.....	201-0440	3/8"-16 x 1-1/2" Hex Head Bolt, Grade 5, ZP	6
10.....	201-0443	3/8"-16 x 1" Hex Head Bolt, Grade 5, ZP	2
11.....	201-0979	#12-14 x 1" Self Drilling Screw, ZP.....	2
12.....	202-0047	#10-32 Hex Nut	2
13.....	202-0071	3/8"-16 Hex Whiz Lock Nut, ZP	2
14.....	202-0102	1/4"-20 Hex Nylon Nut, ZP	3
15.....	203-0001	1/4" Flat Washer, ZP.....	1
16.....	203-0005	1/2" Flat Washer, ZP.....	1
17.....	203-0010	3/8" Lock Washer, ZP	6
18.....	203-0012	1/2" Lock Washer, ZP	4
19.....	203-0054	#10 Lock Washer, ZP	2
20.....	299-0685	4-Way Bracket.....	1
21.....	226-0049(not shown)	Class IV Safety Cables.....	2
22.....	229-0512(not shown)	1/2" Quicklink, ZP	2

Important:

Use only genuine factory replacement parts on your baseplate. Do **NOT** substitute homemade or non-typical parts. If a bolt is lost or in need of replacement, for your safety and the preservation of your baseplate, be sure to use a replacement bolt of the same grade (In most cases it will be Grade 5, please reference the parts list above). Replacement parts may be ordered through your nearest Blue Ox® Dealer or Distributor. Failing to follow and/or altering these installation instructions in either installation or required equipment will void the manufacturer's warranty. Towing behind a non-motorized vehicle will void the warranty.

BX2655
2015-19 Ford Transit 150/250/350
Installation Instructions



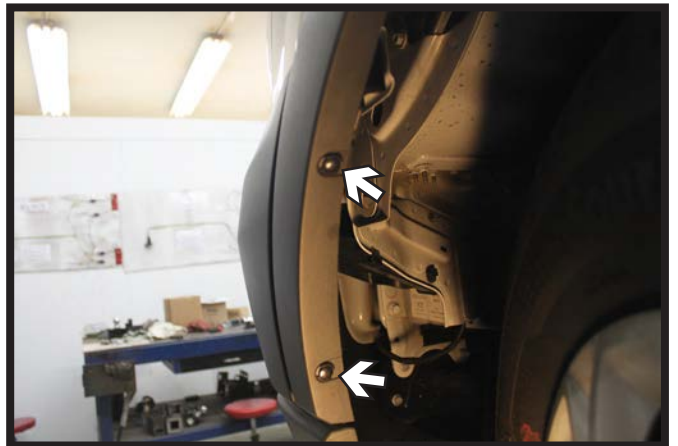
1. Using a 10MM socket, remove the four (4) screws from the top edge of the fascia (white). Then remove the five (5) push pins (gray).



2. Using a T30 Torx, remove the two (2) screws from the headlight. Disconnect any electrical connections and set aside. Do this on both sides of the vehicle.

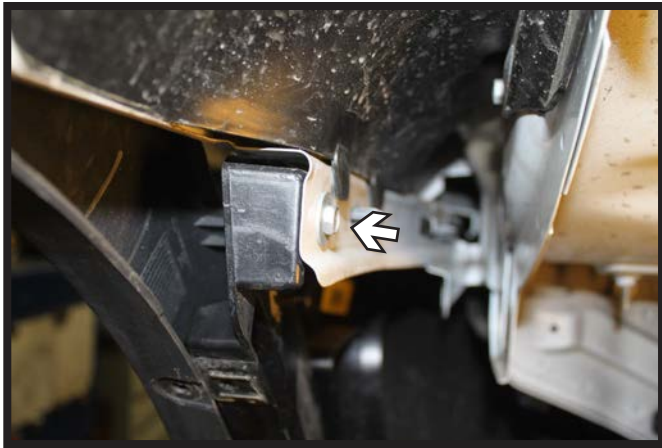


3. Underneath where the headlight was, using a T25 Torx, remove the two (2) screws from the fascia/fender joint. Do this on both sides of the vehicle.



4. Remove the two (2) push pins from along the edge of the wheel well. Do this on both sides of the vehicle.

BX2655
2015-19 Ford Transit 150/250/350
Installation Instructions



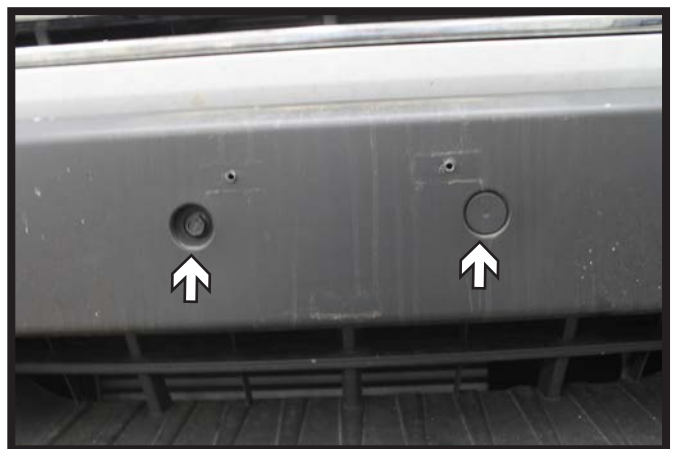
5. Pull back the fender flare and using a 10MM socket, remove the screw from the inside of the fascia/fender joint. Do this on both sides of the vehicle.



6. Using a 10MM socket, remove the four (4) screws from the underside of the fascia. There are two (2) on each side.

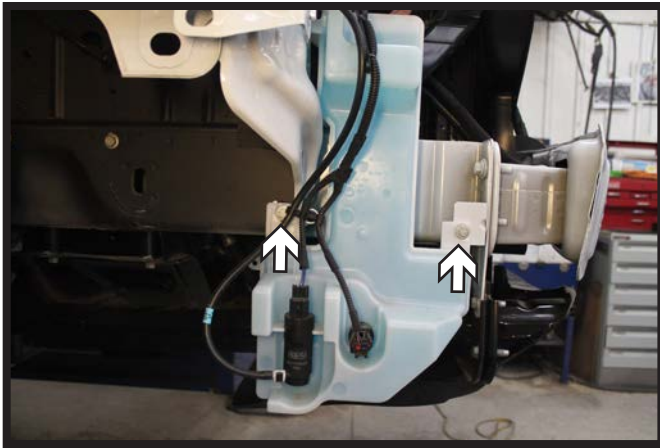


7. Remove the license plate and plate bracket if applicable.

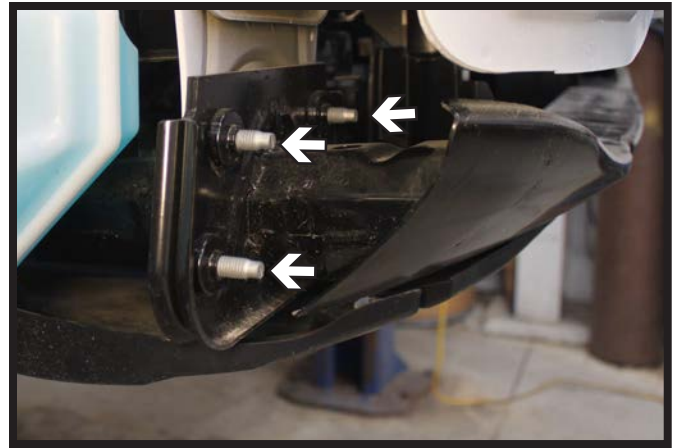


8. Remove the plugs from the fascia. Then using a 13MM socket remove the two (2) screws from the face of the fascia. Pull the corners of the fascia away from the vehicle disconnecting any electrical connections and set the fascia aside.

BX2655
2015-19 Ford Transit 150/250/350
Installation Instructions



9. Using a 10MM socket, remove the two (2) screws from the washer reservoir. Disconnect/plug all lines and set the reservoir aside.

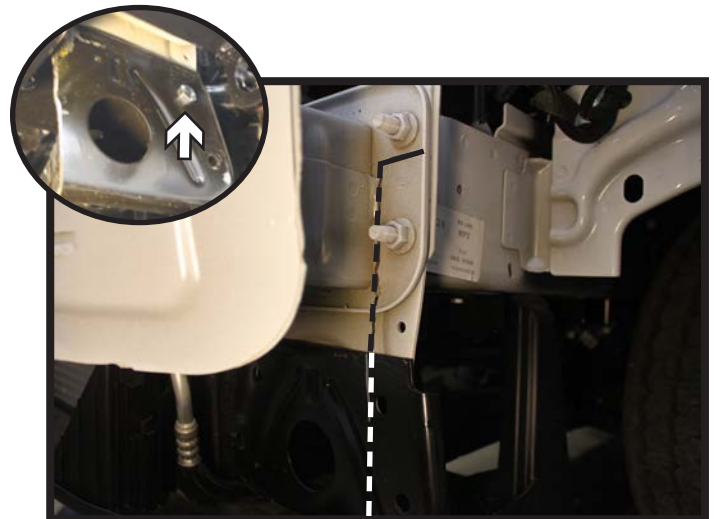


10. Using a 13MM socket, remove the four (4) bolts from the backside of the crossbar. Do this on both sides of the vehicle. The crossbar will not be reinstalled.

Note: The fourth bolt is not shown, but is located on the inner side of the crossbar.

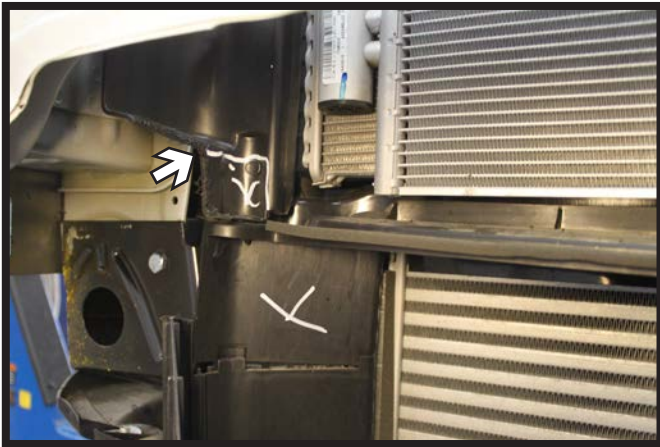


11. On the driver side, using a 10MM socket, remove the screw from the plastic shield. The shield will not be reinstalled.



12. Using a reciprocating saw, trim off the frame flange just below the top bolt back to the face of the frame and all the way down. Do this on both sides of the vehicle. Install the supplied 3/8" bolt and lock nut into the upper inner existing hole where the crossbar attached (inset) and fully tighten.

BX2655
2015-19 Ford Transit 150/250/350
Installation Instructions

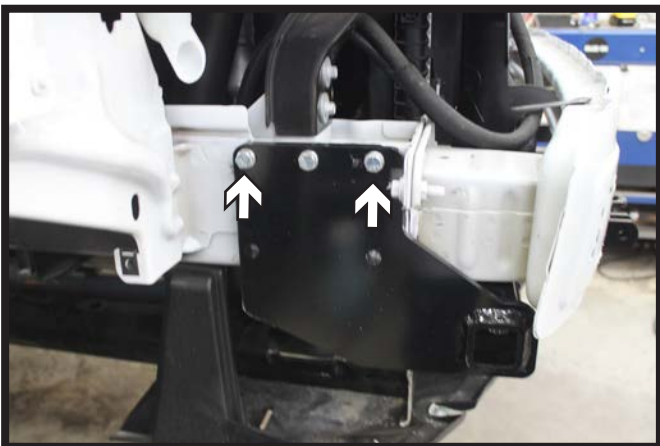


13. Trim the upper section of shielding just below the bumper and disconnect the lower section. Do this on both sides of the vehicle.



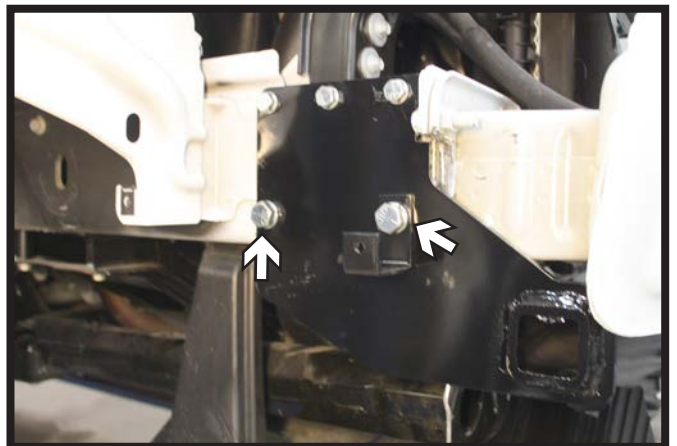
14. Install the baseplate onto the frame, flushing it to the top of the frame. Clamp into place and drill the middle hole thru the frame with a 3/8" drill bit. Install a 3/8" bolt with lock washer into the hole with a 3/8" whiz nut on the inside of the frame lip. Do this on both sides of the vehicle. Level the baseplate and fully tighten the all hardware.

**** Use Loctite® Red on all bolt threads and tighten all bolts to the appropriate torque.**



15. Continue drilling the remaining top holes thru the frame with a 3/8" drill bit. Installing 3/8" bolts with lock washers into the holes with a 3/8" whiz nuts on the inside of the frame lip. Do this on both sides of the vehicle. Fully tighten the all hardware.

**** Use Loctite® Red on all bolt threads and tighten all bolts to the appropriate torque.**

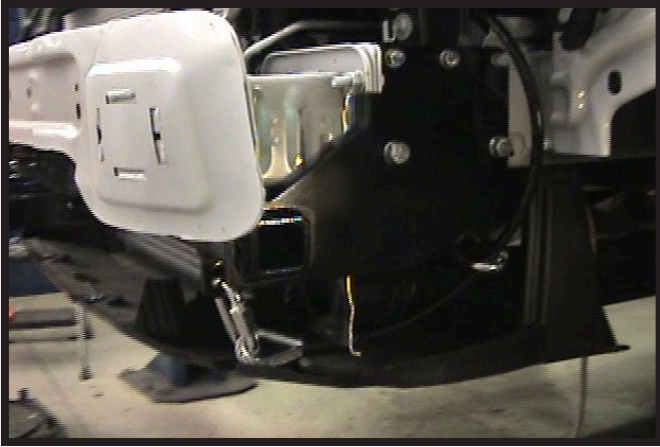


16. Using a 1/2" drill bit, drill the lower two (2) holes thru the frame wall. Install 1/2" bolts with lock washers into the holes with 1/2" nut plates on the inside of the frame. Do this on both sides of the vehicle. Fully tighten all hardware.

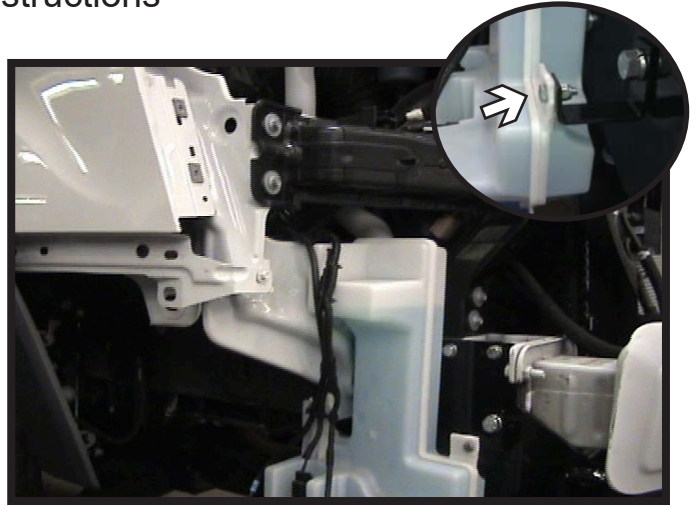
Note: On the passenger side install the flat washer & reservoir bracket onto the front bolt as shown before installing the bolt thru the frame.

**** Use Loctite® Red on all bolt threads and tighten all bolts to the appropriate torque.**

BX2655
2015-19 Ford Transit 150/250/350
Installation Instructions



17. Attach the permanent baseplate safety cables to the provided convenience link on the baseplate. The photo above shows the recommended installation of the cables to frame of vehicle. Additional options may interfere with suggested mounting; in this case, secure the cables to a solid piece of the frame as described in the instructions included with the permanent baseplate safety cables. Be sure the safety cables do not rub against any hoses or moving parts. Do this on **BOTH** sides of the vehicle.



18. Reinstall the washer reservoir onto the vehicle. Use the supplied 1/4" hardware to attach the reservoir to the bracket as shown.



19. On the backside of the fascia, trim inside grill section out of the lower opening so it is one large opening.



20. On the ends of the lower opening, trim about an inch down along the top side and half way down the side and taper it back to the bottom corner as shown. Do this on both sides of the fascia.

BX2655
2015-19 Ford Transit 150/250/350
Installation Instructions



21. Reinstall the fascia, license plate bracket and headlights.

CUSTOMER SERVICE COMMITMENT

Blue Ox® is committed to providing you with exceptional customer care throughout your lifetime with our products. Our team is here to assist you with any questions you may have regarding the performance of your product. Simply call (402) 385-3051 and you can speak with our technical service team.

Additionally, please visit our website to see which rallies our Destination America team will be attending. For a nominal fee, our service technician will service your towing system to ensure it's in proper working condition. Also, as a commitment to our customers, should you visit our factory, you can stay at our full service Blue Ox® campground at no charge along with enjoying a factory tour.

Again, thank you for being our customer and for the confidence you have shown in the performance of our products. It is because of customers like you we enjoy the success we have today.

© 2016 Blue Ox
One Mill Road, Industrial Park
Pender, Nebraska 68047
Phone: (402) 385-3051
Fax: (402) 385-3360
www.blueox.com

General Information

1. Ensure that your product(s) are registered online at www.blueox.com. It is crucial to register your product(s) so that you may be alerted of product offerings, updates, upgrades, maintenance and safety bulletins, and/or recalls.
2. **It is the owner's responsibility to inspect all towing equipment for cracked welds, missing or worn parts and loose bolts before each towing trip.** Be sure to use Loctite® Red on all bolts and tighten to the recommended specifications.
3. **It is the owner's responsibility to hook up all towing equipment per manufacturer's instructions/recommendations.**
4. Remove the attachment tabs when not in use (if applicable).

Notice To Baseplate Installer

1. It is YOUR responsibility to watch for:

- Oil cooler and air conditioner lines
- Electrical wires and hoses
- Missing parts or attaching points on the frame

** If the baseplate is improperly installed and is against a wire or hose, it could cause fluid leaks or electrical shorts some time after the actual baseplate installation.

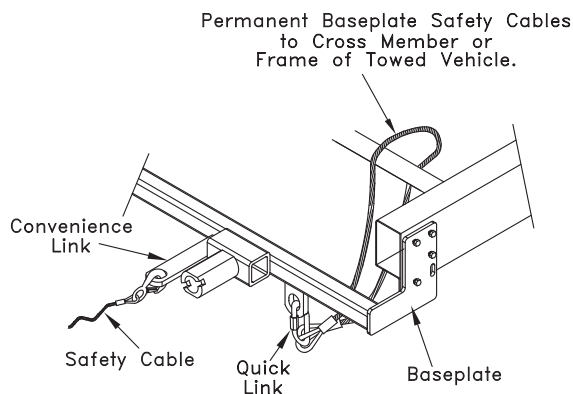
Permanent Baseplate Safety Cable Installation

Permanent baseplate safety cables are strongly recommended when towing a vehicle with a tow bar. The principle function of the permanent baseplate safety cables is to prevent the towed vehicle from breaking loose in the event the connection between the frame of the towed vehicle and the baseplate fails or becomes disconnected. The cables must be connected from the baseplate to the frame rail or cross member of the vehicle's frame. The illustrations below show the possible arrangements recommended by Blue Ox®. Each permanent baseplate safety cable must have an adequate weight rating for the towing system. The weight rating of the two (2) cables together will not qualify.

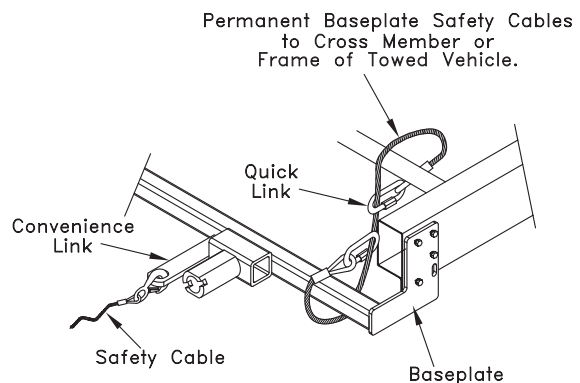
Do not mount the permanent baseplate safety cables against wires, hoses or brake lines.

These permanent baseplate safety cables should remain installed as long as the baseplate is installed on the vehicle. Permanent baseplate safety cables are to be used in conjunction with, and NOT a replacement for legally required safety cables attaching the towed vehicle to the towing vehicle.

OPTION #1



OPTION #2



BLUE OX ORIGINAL PURCHASERS THREE YEAR LIMITED WARRANTY

Automatic Equipment Manufacturing Company ("Automatic") warrants to the original (first) retail purchaser that this product, manufactured by Automatic, shall be free from defect in material and workmanship under normal use and service for a period of three years from the date of delivery.

During said three-year period, Automatic will repair or replace any parts that have been returned by the original purchaser, to the factory, transportation prepaid, and in Automatic's sole and absolute opinion found to be defective.

Limitations on Warranty Coverage:

Coverage under this warranty will be valid only if the customer warranty card is returned by the original purchaser within 30 days of purchase.

Coverage under this warranty will be effective only when a copy of the original invoice, showing date and place of purchase, accompanies any claim for warranty. This warranty is NON TRANSFERABLE.

This limited warranty will not cover, in any way or form, any alleged damages caused by incorrect or improper installation, improper use, modification or neglect of product, failure to properly service and maintain, misuse, act of God, accident or failure of the user to follow guidelines contained in the instructional material provided by Automatic.

This warranty does not cover normal wear and tear, paint or rust.

Warrantor assumes no responsibility to the owner for loss of use of product, loss of time, inconvenience or any other damage consequential or otherwise. Including, but not limited to mileage, expense of transporting of product, return shipping expense, mechanics travel time, telephone, road service, towing, and rental during repairs, travel, lodging, loss or damage to personal property or loss of earnings.

REPAIR OR REPLACEMENT AS SET FORTH IN THIS LIMITED WARRANTY IS THE SOLE EXCLUSIVE REMEDY OF THE PURCHASER. AUTOMATIC SHALL NOT BE LIABLE FOR ANY INCIDENTAL OR CONSEQUENTIAL DAMAGES FOR BREACH OF ANY EXPRESS OR IMPLIED WARRANTY ON THIS PRODUCT. EXCEPT TO THE EXTENT PROHIBITED BY APPLICABLE LAW, ANY IMPLIED WARRANTY OF MERCHANTABILITY OR FITNESS FOR A PARTICULAR PURPOSE ON THIS PRODUCT IS LIMITED IN LENGTH TO THE DURATION OF THIS WARRANTY.

Please visit <http://blueox.com/warranty/> to register your warranty

