



BX2803

2014-15 Fiat 500L Trekking/Easy/Pop/Lounge Installation Instructions

Attachment Tab Height: 15"

Attachment Tab Width: 23"

Serial Number

Please read BOTH these Installation Instructions and the General Instructions prior to installing or operating this equipment.

- Blue Ox® towing products and accessories are intended to be installed by Blue Ox® Dealers who are familiar with our products and have the equipment and knowledge necessary to do "fit work". If needed, Blue Ox® Dealers can be found at www.blueox.com or by contacting our Customer Care Department at (402) 385-3051.
- Many Blue Ox® baseplates are designed to use existing holes and hardware to mount the baseplate to the towed vehicle. Even though bolts are there, do not assume they are adequate for baseplate mounting. Always use the hardware supplied in the hardware kit and existing hardware as specified in the installation instructions.

Bolt Torque Specifications

Torque in Foot-Pounds for Inch Bolts

Bolt Size	Grade 5	Grade 8
1/4"	10	14
5/16"	19	29
3/8"	33	47
7/16"	54	78
1/2"	78	119
5/8"	154	230
3/4"	257	380

Bolt Torque Specifications

Torque in Foot-Pounds for Metric Bolts

Bolt Size	Grade 8.8	Grade 10.9
6MM	6	8
8MM	16	22
10MM	31	40
12MM	54	70
14MM	89	117
16MM	161	230
18MM	222	318



If the front of your vehicle looks different than this, please contact us at (402)385-3051.

Reference your vehicle owner's manual for manufacturer's towing specifications.



WARNING

Failure to read and follow these instructions could result in separation of the towed vehicle from the tow bar, causing property damage, loss of towed vehicle, personal injury or death.

BX2803
2014-15 Fiat 500L Trekking/Easy/Pop/Lounge
Installation Instructions

Instruction Notes: The fascia and horn are removed and reinstalled for the baseplate installation. Some drilling and trimming is required.

Place all components that are removed on a flat, sturdy surface. All items will be reinstalled unless otherwise noted after the baseplate is installed.

The dimensional variations between otherwise identical vehicles can be considerable. While the baseplate was designed for easy installation, it may be necessary to tailor the baseplate slightly to compensate for vehicle manufacturer's tolerances.

The BX8869 Tail Light Wiring Kit is recommended for this vehicle.



Drill a hole according to the tail
light wiring kit instructions.

NOTICE

- Handling of some cosmetic parts when installing this product may require the use of protective covers, rags, specialty tools, etc. to prevent damage.
- When using power drills be aware of the dangers of torque and drill bit length.
- When using a reciprocating saw be aware of objects behind the cutting surface.
- Use a good quality paint to spray cut edges of frame to prevent rusting.
- Be sure that **ALL** electrical connections are plugged in and accessories are functioning properly before reinstalling the fascia.
- The baseplate is computer tested to your vehicle's GVWR, exceeding this weight will void the manufacturer's warranty.
- Be sure to use Loctite® Red on all bolts before tightening. Tighten all bolts according to the torque chart provided.
- Dealer or installer be certain the user receives these instruction sheet.
- If the baseplate is in an accident, it must be replaced. **DO NOT** use it again! An accident can cause unseen damage and using it again could result in more damage or serious injury. **DO NOT** use the baseplate if it is damaged or missing parts.

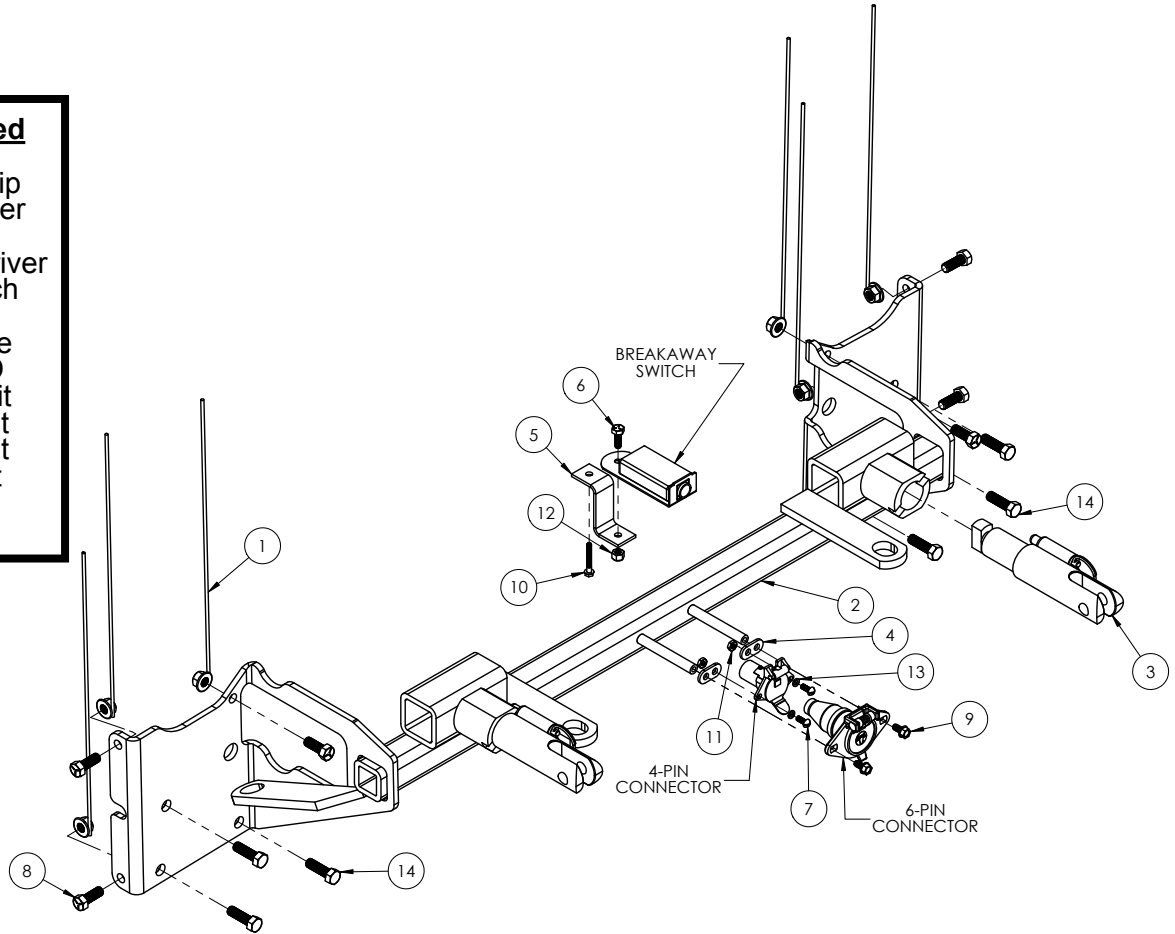
BX2803

2014-15 Fiat 500L Trekking/Easy/Pop/Lounge

Installation Instructions

Tools Required

Large Vise Grip
 Flat Screwdriver
 Utility Knife
 Phillips Screwdriver
 Torque Wrench
 Drill
 Tape Measure
 Loctite® RED
 13/32" Drill Bit
 10MM Socket
 15MM Socket
 9/16" Socket
 T27 Torx

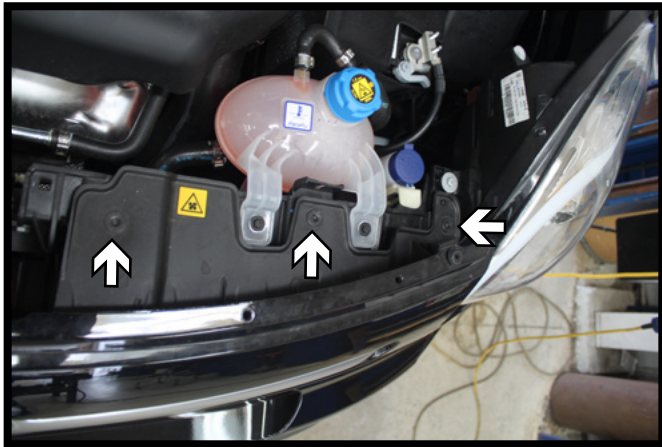


Item No.	Part No.	Description	Qty.
1.....	61-4978.....	3/8"-16 Whiz Nut w/ 14" Wire	6
2.....	61-7249.....	BX2803 Baseplate.....	1
3.....	62-3468.....	Attachment Tab Assembly with Hole	2
4.....	101-5822.....	4 Way Connector Adapter	2
5.....	102-7056.....	Breakaway Bracket	1
6.....	201-0050.....	1/4"-20 x 3/4" Hex Head Bolt, Grade 5, ZP	1
7.....	201-0192.....	#10-32 1/2" Round Slotted Head Screw.....	2
8.....	201-0443.....	3/8"-16 x 1" Hex Head Bolt, Grade 5, ZP	6
9.....	201-0979.....	#12-14 X 1" Self Drilling Screw, ZP	2
10.....	201-0654.....	#10-16 x 1" Self Drilling Screw, ZP.....	1
11.....	202-0047.....	#10-32 Hex Nut	2
12.....	202-0102.....	1/4"-20 Hex Nylon Nut, ZP	1
13.....	203-0054.....	#10 Lock Washer, ZP	2
14.....	Existing.....	Existing Bumper Bolts	6
15.....	226-0046(not shown).....	Class III Safety Cables	2
16.....	229-0359(not shown).....	3/8" Quicklink, ZP	2
17.....	290-0437(not shown).....	Black Cap Plug Receiver.....	2

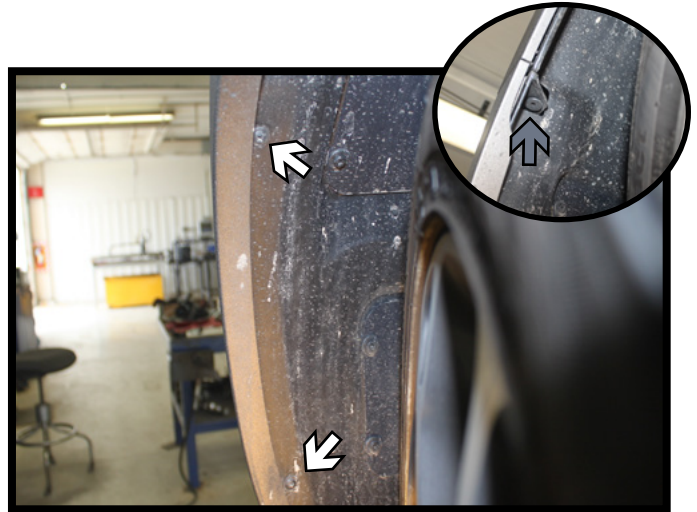
Important:

Use only genuine factory replacement parts on your baseplate. Do **NOT** substitute homemade or non-typical parts. If a bolt is lost or in need of replacement, for your safety and the preservation of your baseplate, be sure to use a replacement bolt of the same grade (In most cases it will be Grade 5, please reference the parts list above). Replacement parts may be ordered through your nearest Blue Ox® Dealer or Distributor. Failing to follow and/or altering these installation instructions in either installation or required equipment will void the manufacturer's warranty. Towing behind a non-motorized vehicle will void the warranty.

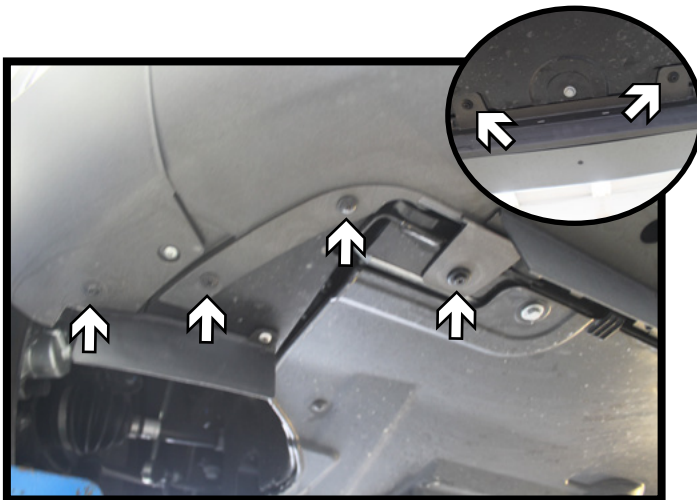
BX2803
2014-15 Fiat 500L Trekking/Easy/Pop/Lounge
Installation Instructions



1. Using a T27 Torx, remove the six (6) screws from the top edge of the fascia. There are three (3) on each side.



2. In the wheel well, using a Phillips screwdriver, remove the two (2) screws from the outer edge (white). Then using a T27 Torx, remove the screw from the top outer edge (gray).

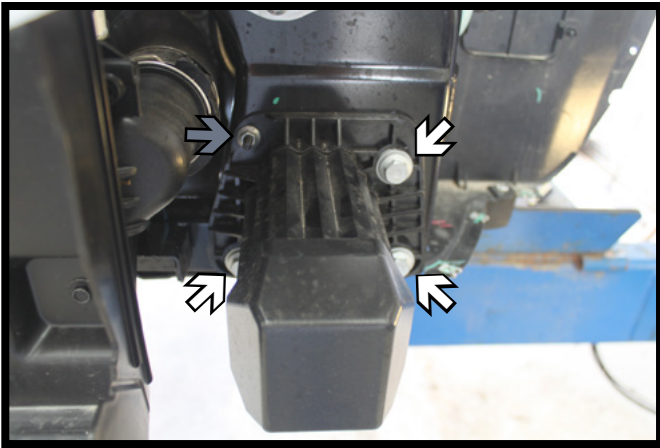


3. Using a Philips screwdriver, remove the ten (10) screws from the underside of the fascia. There are four (4) on each corner and two (2) in the middle.

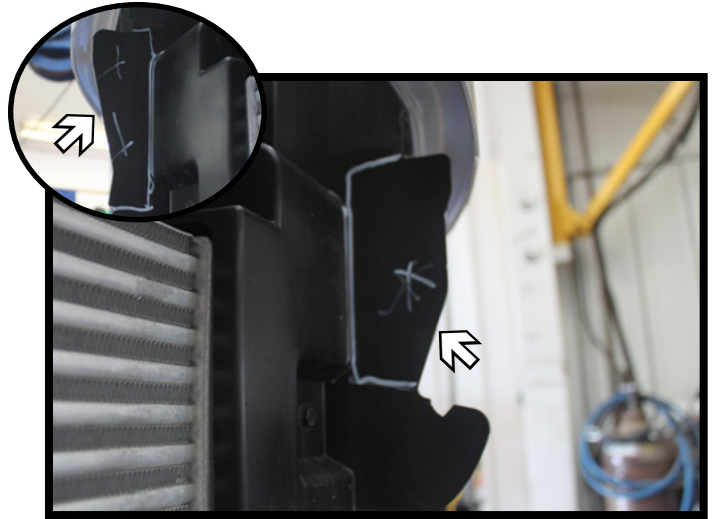


4. Unsnap the fascia from each side. Unplug all electrical connections, then pull the fascia forwards from the vehicle.

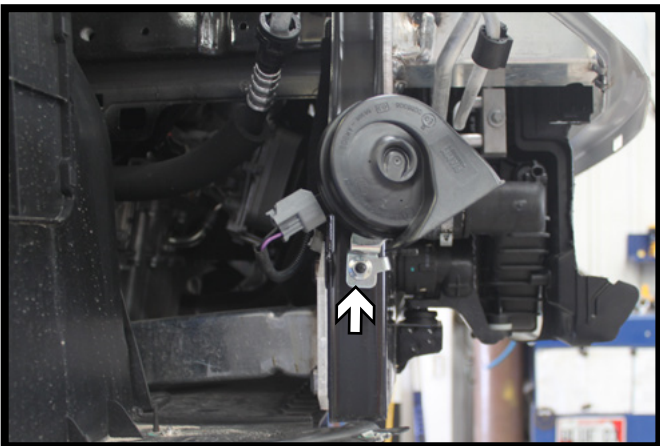
BX2803
2014-15 Fiat 500L Trekking/Easy/Pop/Lounge
Installation Instructions



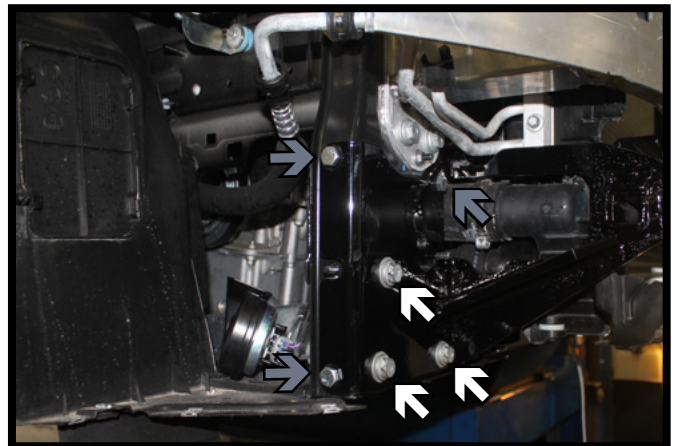
5. On the bumper horn, using a 15MM socket, remove the three (3) bolts (white). Then using a 10MM socket, remove the one (1) nut. Do this on both sides of the vehicle. The bumper horns will not be reinstalled, but the existing bolts will be reused.



6. Trim the plastic shrouding around the radiator as shown. Do this on both sides of the vehicle.

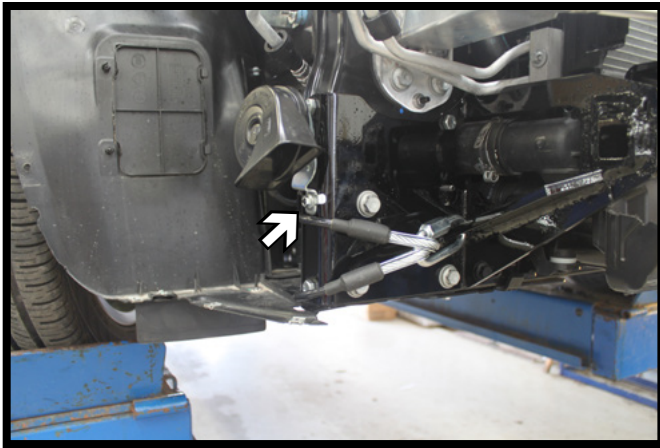


7. Using a 10MM socket, remove the nut from the horn bracket on the passenger side and move the horn aside.

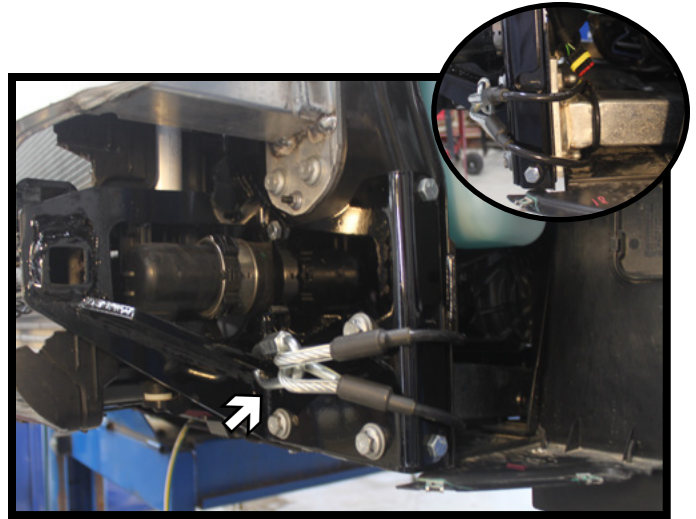


8. Slide the baseplate onto the vehicle. Secure in place with the six (6) existing bolts (white). There are three (3) on each side and fully tighten all hardware. Using a 13/32" drill bit, drill the six (6) holes thru the frame (gray). There are three (3) on each side. Install six (6) 3/8"-13 x 1" bolts into the holes with 3/8" wire nuts on the inside of the frame and fully tighten all hardware.

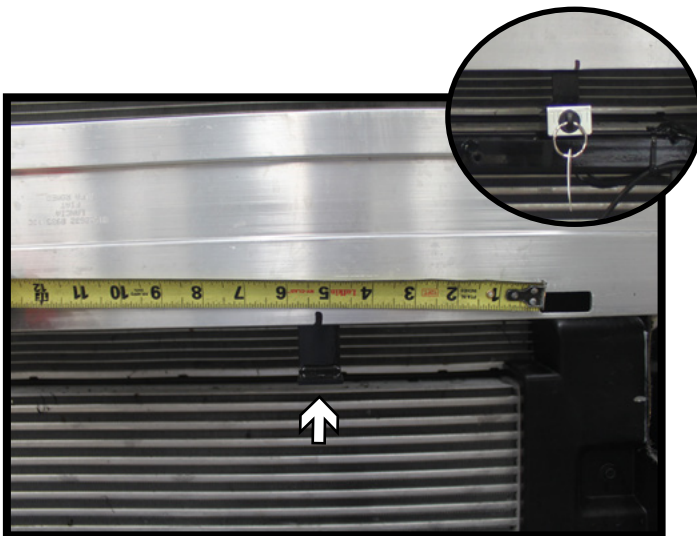
BX2803
2014-15 Fiat 500L Trekking/Easy/Pop/Lounge
Installation Instructions



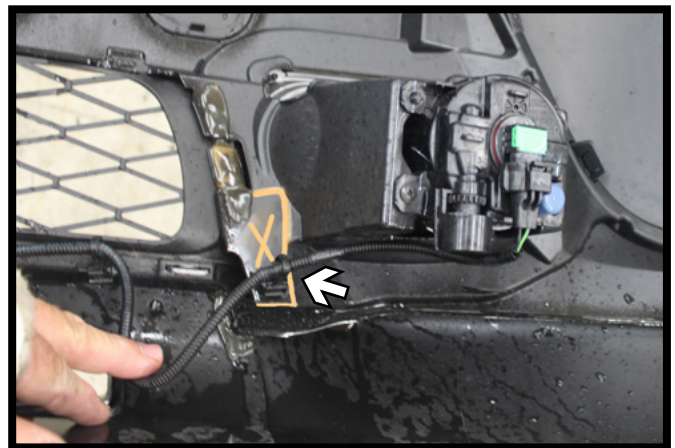
9. On the passenger side, reinstall the horn to the existing stud.



10. Attach the permanent baseplate safety cables to the provided convenience link on the baseplate. The photo above shows the recommended installation of the cables to frame of vehicle. Additional options may interfere with suggested mounting; in this case, secure the cables to a solid piece of the frame as described in the instructions included with the permanent baseplate safety cables. Be sure the safety cables do not rub against any hoses or moving parts. Do this on **BOTH** sides of the vehicle.



11. Optional: If installing a breakaway, measure over 5-1/4" from the slot on the driver side of the bumper. Screw the bracket to the bumper with the #10-16 self tapping screw. Install the breakaway to the bracket with a 1/4"-20 bolt and lock nut.



12. On the backside of the fascia, remove the wiring from the clip (white) and trim the inside edge of the fascia as shown. Do this on both sides of the fascia.

BX2803
2014-15 Fiat 500L Trekking/Easy/Pop/Lounge
Installation Instructions



14. Hold the fascia as close to its original position, mark and trim the fascia around the convenience links and attachment tabs. Reinstall the fascia.

CUSTOMER SERVICE COMMITMENT

Blue Ox® is committed to providing you with exceptional customer care throughout your lifetime with our products. Our team is here to assist you with any questions you may have regarding the performance of your product. Simply call (402) 385-3051 and you can speak with our customer care team.

Additionally, please visit our website to see which rallies our Destination America team will be attending. For a nominal fee, our service technician will service your towing system to ensure it's in proper working condition. Also, as a commitment to our customers, should you visit our factory, you can stay at our full service Blue Ox® campground at no charge along with enjoying a factory tour.

Again, thank you for being our customer and for the confidence you have shown in the performance of our products. It is because of customers like you we enjoy the success we have today.

© 2015 Blue Ox
One Mill Road, Industrial Park
Pender, Nebraska 68047
Phone: (402) 385-3051
Fax: (402) 385-3360
www.blueox.com