



Strong As An Ox™

BX3516 Installation Instructions 2001-03 Suzuki Grand Vitara

Serial No.

The front grill, front fascia and metal bumper are removed for baseplate installation. Drilling is required. The BX8869 is available for the vehicle. Attachment Tabs are 17 inches center to center and a height of 20 inches.



1. Remove the four push pins from the top side of grill.



2. Pull grill forward to release two push pins just under head lights, both sides and one on lower grill center, set aside.



3. Using the 10MM socket, remove three metric bolts from headlight assemblies, unplug and set aside.



4. Remove seven push pins on the top side of fascia.



5. Just forward of front tire, on upper corner of fascia, is one metric bolt to remove using the 10MM socket.



6. Remove one push pin from inside wheel well on fascia's edge, both sides.



Strong As An Ox™



7. Remove three metric bolts from the bottom side of fascia with the 10MM socket, pull fascia forward and set aside.



8. Remove four metric bolts from frame ends with the 12MM socket, pull metal bumper forward and set aside.



9. Hold baseplate to align with existing hole on inside of frame end, just back of metric bolt for metal bumper, and drill all holes with the 13/32" drill bit, both sides.



10. Insert item 2 into frame ends to align with drill holes and tighten items 3 and 4 while assuring that baseplate is in a level position with the vehicle. **Be sure to use loctite on all bolts before tightening.** Some vehicle models may require the spacer plates to be used, item 11.

11. Reinstall metal bumper, fascia and headlight assemblies. Be sure all electrical connections are plugged in properly.
12. The dimensional variations between otherwise identical cars can be considerable. While the location and size of the holes in the baseplate were designed to allow for easy installation, it may be necessary to file a hole slightly to allow a bolt to clear.
13. Install the tow bar and safety cables according to the instructions included in their packages.
14. Do **not** substitute other devices if the tow bar pin and clip are lost.
15. **DEALER OR INSTALLER: BE CERTAIN THE USER RECEIVES THE INSTRUCTION SHEET.**



Strong As An Ox™

Tools Required

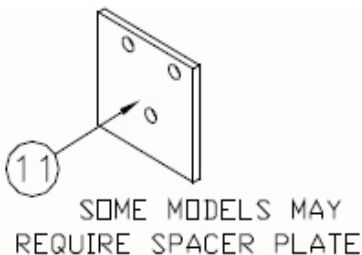
10MM Socket
12MM Socket

Loctite
9/16 Socket

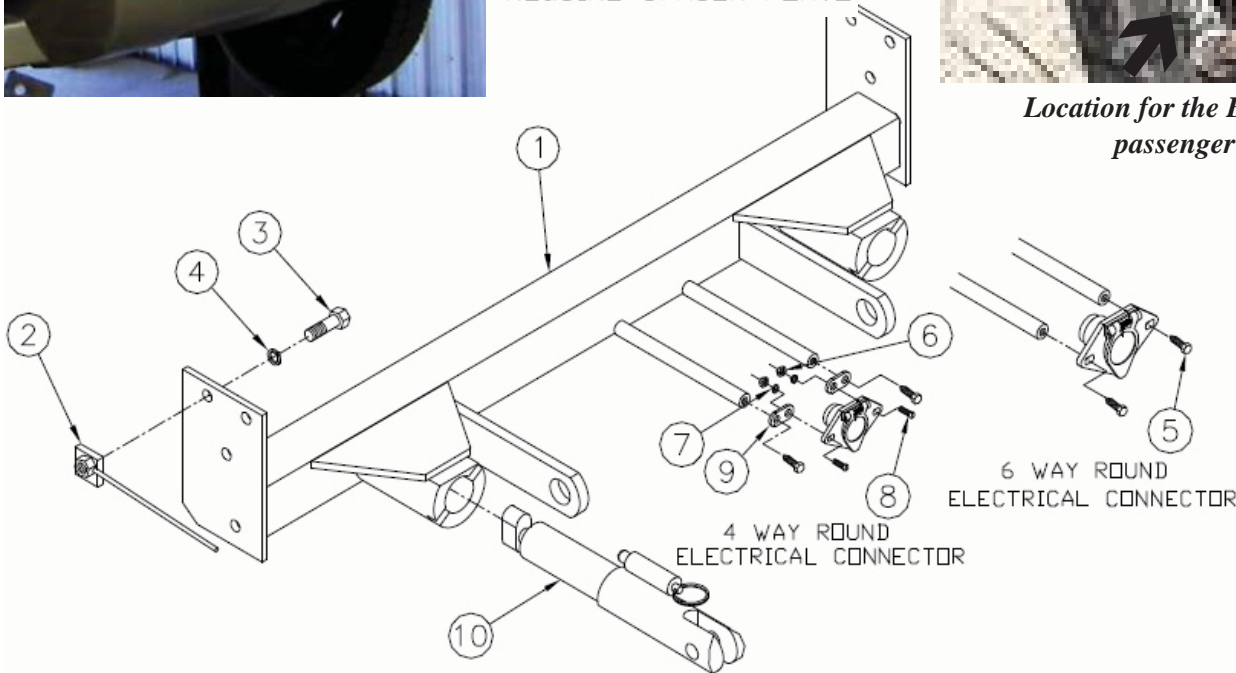
13/32" Drill Bit

Parts List

Ref. No.	Qty.	Part No.	Description
1	1	61-5794	Weldment, Base Plate, BX3516
2	6	61-5208	3/8-16 Nut Plate
3	6	201-0440	3/8-16 x 1 1/2 Bolt, Grd. 5, ZP
4	6	203-0010	3/8 Lock Washer, ZP
5	2	201-0553	1/4-20 x 1/2 Hx. Wshd, Type F Screw
6	2	101-5822	Adapter, 4 Way Connector
7	2	201-0192	#10-32 x 1/2 Slot, Rd. Hd. Screw
8	2	203-0054	#10 Lock Washer
9	2	202-0047	#10-32 Hex Nut
10	2	62-3469	Attachment, Assembly, SF/ LB (R)
11	2	102-6407	Spacer Plate, BX3516
	2	226-0046	Baseplate Safety Cable, 36" CL III (Not Shown)
	2	229-0359	Quicklink, 3/8, ZP (Not Shown)
	2	290-0437	Receiver, Cap Plug (BLK) (Not Shown)



Location for the BX8869 on the passenger's side.



IMPORTANT: Use only genuine factory replacement parts on your Base Plate. Do not substitute homemade or nontypical parts. If a bolt is lost or in need of replacement, for your safety and the preservation of your Base Plate, be sure to use a replacement bolt of the same grade (Usually Grade 5, refer to parts list). Repair parts may be ordered through your nearest **Blue Ox** dealer or distributor.