



Strong As An Ox™

BX3612 Installation Instructions 2003-04 Subaru Forester AWD

Serial No.

The front fascia, tie down brackets and fog lights are removed for baseplate installation. Drilling is required. The BX8869 is available for the vehicle. Attachment Tabs are 20 inches center to center and a height of 15 inches.



1. Unsnap the two clips on the upper grill, pull forward, unsnap one clip in the center of the grill and set grill aside. Remove the four push pins from the top side of fascia.



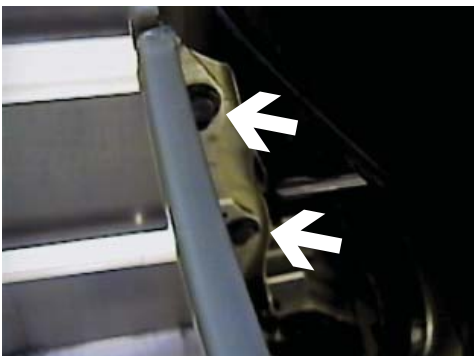
2. Unsnap clip on fascia just inside headlights, both sides. Remove five push pins from the top of metal bumper.



3. Just above fog lights remove one metric bolt with the 10MM socket and one push pin, both sides.



4. Just forward of front tire is one push pin to remove, both sides. Remove four push pins from the bottom of front fascia.



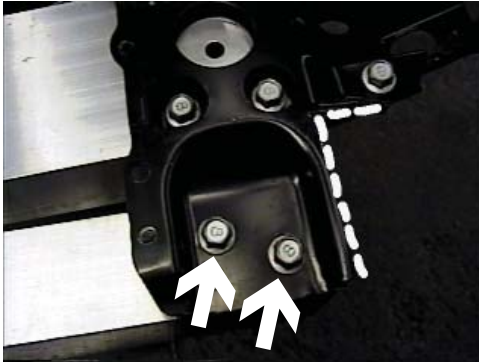
5. Just forward of front tire, pull wheel well back and remove two push pins from fascia's corner, both sides. Pull fascia corner to the side and forward, disconnect electrical plugs and set aside.



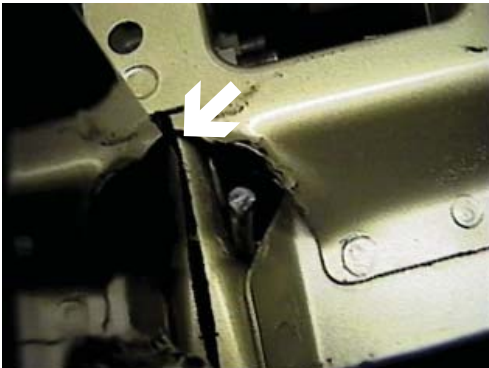
6. Using the 14MM socket, remove three metric bolts from bumper bracket, both sides, pull forward and set aside.



Strong As An Ox™



7. Set front bumper face down on flat surface and remove two lower metric bolts with the 13MM socket, both sides. Discard lower tube. Using the hack saw, cut side brace off, according to photo, to relieve area for baseplate on frame sides and cut webbing just behind bumper bracket (see arrow on photo step 9).



9. Using the pry bar, open area to insert item 4 to align with drilled hole and install items 6 and 7, both sides. Install lower bolt, items 4, 6 and 7, both sides. **Be sure and use loctite on all bolts before tightening.**

10. Reinstall bumper, fascia and upper grill. Be sure all electrical connections are plugged in properly.

11. The dimensional variations between otherwise identical cars can be considerable. While the location and size of the holes in the baseplate were designed to allow for easy installation, it may be necessary to file a hole slightly to allow a bolt to clear.

12. Install the tow bar and safety cables according to the instructions included in their packages.

13. Do **not** substitute other devices if the tow bar pin and clip are lost.

14. **DEALER OR INSTALLER: BE CERTAIN THE USER RECEIVES THE INSTRUCTION SHEET.**



8. **2003 Model:** Remove existing metric bolt from outside of frame rail and discard, both sides. Align item 1 with existing threaded holes on frame, slide item 2 between frame and item 1. Install items 8 and 9, both sides. **2004 Model:** Align the back tow holes on baseplate end with the existing holes in frame, clamp in place with vise grips and level baseplate on vehicle. Using the baseplate as a template, drill out these two holes with the 13/32" drill bit. Install 3/8 x 1 1/2" hex bolts and lock washers into baseplate, insert nut plates into frame end to align with bolts and tighten. **Be sure and use loctite on all bolts before tightening.** Drill remaining holes in baseplate with the 13/32" drill bit. Insert item 3 into frame end and install items 5 and 7. **Be sure and use loctite on all bolts before tightening. Tighten all bolts according to Torque Chart in the General Instruction sheet.**



Strong As An Ox™

Tools Required

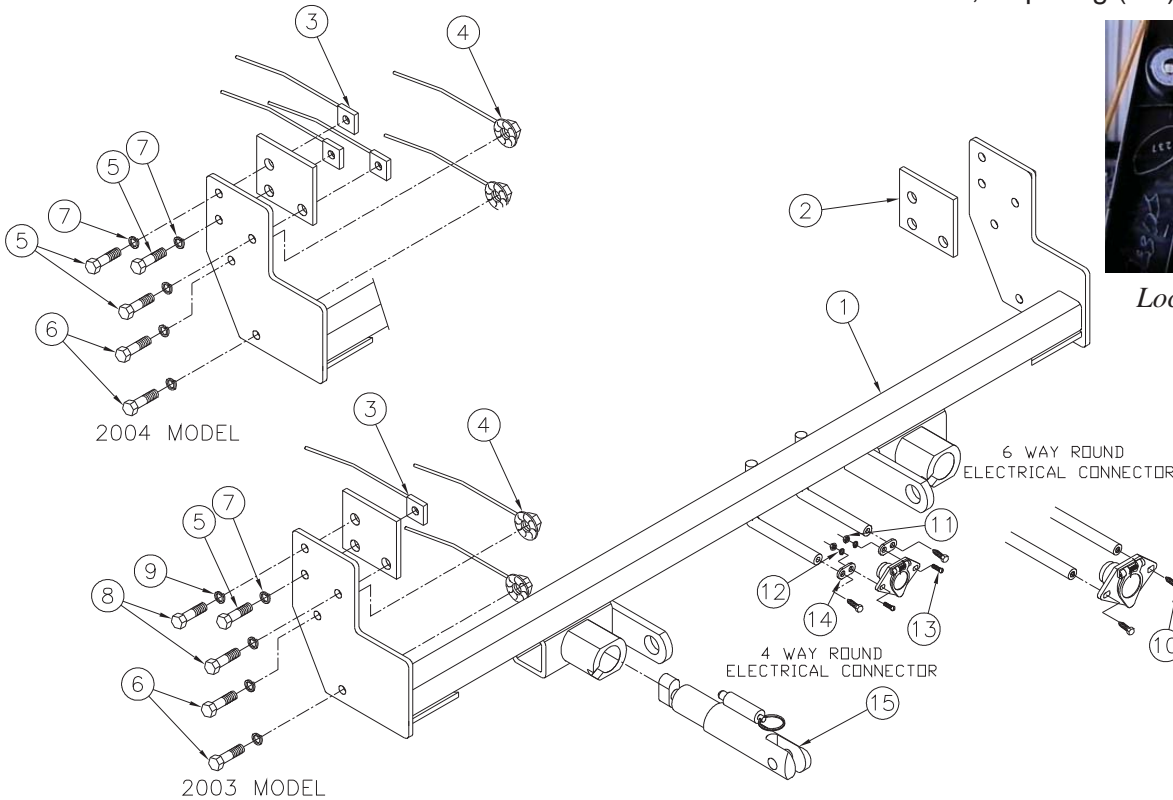
9/16" Socket
13mm Socket
Hack Saw

Loctite
14MM Socket
Pry Bar

10MM Socket
13/32" Drill Bit

Parts List

Ref. No.	Qty.	Part No.	Description
1	1	61-5830	Weldment, Base Plate, BX3612
2	2	102-6328	Spacer Plate, BX3612
3	6	61-5208	3/8-16 Nut Plate
4	4	61-4978	3/8-16 Whiz Nut, with 14 Inch Wire
5	6	201-0440	3/8-16 x 1 1/2 Bolt, Grd. 5, ZP
6	4	201-0368	3/8-16 x 1 1/4 Bolt, Grd. 5, ZP
7	6	203-0010	3/8 Lock Washer, ZP
8	4	201-0418	8MM-1.25 x 35MM Hex Bolt, Grd 8.8, ZP
9	4	203-0102	8MM Lock Washer, ZP
10	2	201-0553	1/4-20 x 1/2 Hx. Wshd, Type F Screw
11	2	101-5822	Adapter, 4 Way Connector
12	2	201-0192	#10-32 x 1/2 Slot, Rd. Hd. Screw
13	2	203-0054	#10 Lock Washer
14	2	202-0047	#10-32 Hex Nut
15	2	62-3468	Attachment, Assembly, SF/ SB (One Hole)
	2	226-0046	Baseplate Safety Cable, 36" CL III (Not Shown)
	2	229-0359	Quicklink, 3/8, ZP (Not Shown)
	2	290-0437	Receiver, Cap Plug (Blk) (Not Shown)



Location for the BX8869 on driver's side.

IMPORTANT: Use only genuine factory replacement parts on your Base Plate. Do not substitute homemade or nontypical parts. If a bolt is lost or in need of replacement, for your safety and the preservation of your Base Plate, be sure to use a replacement bolt of the same grade (Usually Grade 5, refer to parts list). Repair parts may be ordered through your nearest **Blue Ox** dealer or distributor.