

INSTRUCTION SHEET
1986-88. Toyota 4wd Pick-Up
STYLE #3715-52
1987-89. Toyota 4 Runner
STYLE #3715-73

NOTICE

1. This Tow Bar is designed to be parallel to the ground when it is attached to both the towed and towing vehicles. If the Tow Bar is at an angle, there is a risk of damage or accident.
2. This Tow Bar has been designed to tow a manual transmission car or an automatic which has been equipped with a transmission pump, drive shaft disconnect or half shaft disconnect.
3. The transmission should be placed in neutral when towing.
4. Unlock the steering wheel to allow the front wheels of the towed vehicle to "track".
5. Be sure the car being towed is properly aligned.
6. USE SAFETY CABLE OR CHAIN (see sketch). Blue Ox Style #8805 (5ft) or #8806 (6ft) Safety Cable Kit is recommended. The shorter #8805 is normally best.
7. Adjust the coupler for proper fit to the ball (see coupler adjustment). For added security, place a lock, pin or bolt through the hole provided in the coupler locking lever.
8. Check the vehicle to vehicle clearance in a turning situation.
9. Most states require lighting at the rear of the towed car. A Blue Ox Style #8811 Wiring Kit or Style #8813 Light Bar is recommended.
10. Prior to starting on a towing trip, check to be sure all towing accessories and attachment points are secure; ie. all bolts tight and no cracked welds. This is important on all occasions but particularly on a new installation. All bolted connections and weldments on a new installation should be checked just prior to initial towing and again after 100-200 miles of towing.
11. Do Not Back Up when towing. Backing up may damage the Tow Bar assembly or the towed car's chassis.
12. Avoid sharp turns and rough terrain. Check installation after any unusual event and periodically on a long trip.
13. Do not use towed vehicle for storing luggage, etc.; you may exceed the towing capacity of the Tow Bar.

PARTS LIST

1. 1 - Tow Bar (separate box)
2. 1 - Base Plate
3. 2 - 1/2" diameter pins
4. 2 - hairpin clips
5. 8 - 12mm-1.25 x 40mm
6. 8 - 12mm lockwashers

TOOLS

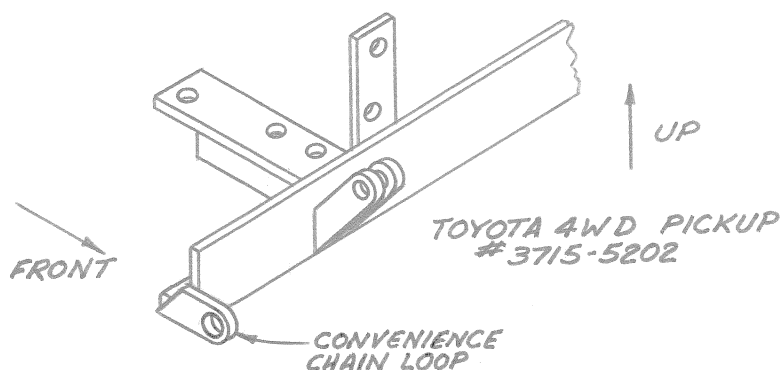
- 3/4" socket (for coupler adjustment)
- 17mm socket
- 19mm socket
- phillips screwdriver

SPECIAL NOTICE

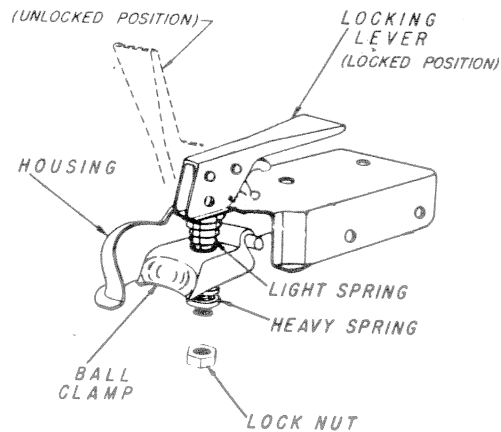
Many Blue Ox Base Plates are designed to use existing holes and hardware to mount the Base Plate to the towed vehicle. Even though the bolt is there however, do not assume it is adequate for mounting the Base Plate. Manufacturers make many changes in hardware both within and between model years. Be sure the bolt is long enough to protrude past the nut a distance no less 1/2 than the diameter of the bolt, after the Base Plate is mounted. The threads should be in "as new" condition. It is recommended that "Locktite Blue" be used. If a new bolt is required, be sure it is at least SAE Grade 5 or Metric 8.8.

INSTALLATION

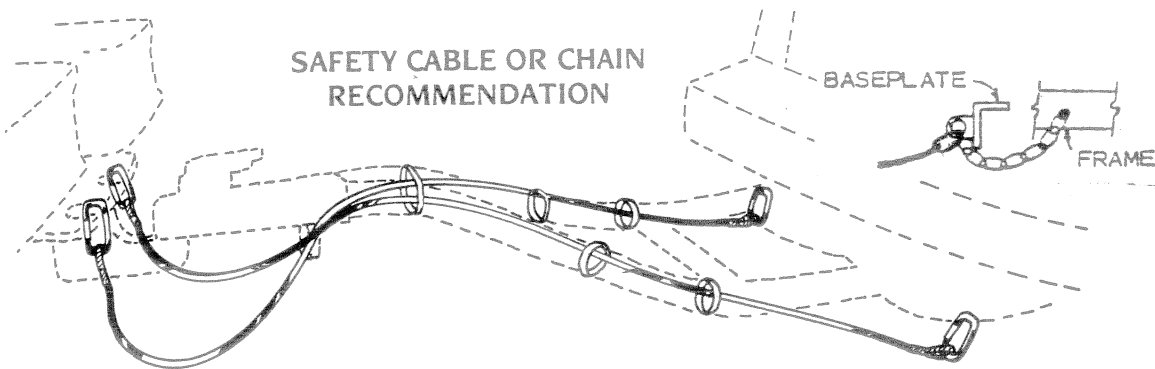
1. THE TOW BAR ASSEMBLY CONSISTS OF A PERMANENTLY MOUNTED BASE PLATE AND A DETACHABLE TOW BAR.
2. THE BASE PLATE MOUNTS TO THE FRONT UNDERSIDE OF THE TRUCK USING TEN BOLTS (TWO EXISTING AND EIGHT SUPPLIED); FIVE ON EACH SIDE OF THE TRUCK.
3. REMOVE THE SHEET METAL TRIM PANEL LOCATED JUST BELOW THE FRONT BUMPER.
4. REMOVE THE TOW HOOK.
5. REMOVE THE "TIE DOWN" BRACKET WHICH IS A STAMPED METAL BRACKET WITH AN OBLONG HOLE FACING DOWNWARD AND IS LOCATED ON THE OPPOSITE SIDE OF THE TRUCK FROM THE TOW HOOK. INSPECT THE BOLTS FOR REUSE. (SEE SPECIAL NOTICE)
6. REMOVE THE TWO BOLTS IN FRONT ON EACH SIDE WHICH HOLD THE BUMPER BRACKETS TO THE FRAME.
7. NOTE THAT THERE IS A THREADED HOLE IN EACH FRAME RAIL 3-3/16" BEHIND THE REAR "TIE DOWN" AND TOW HOOK BOLT HOLE. THESE HOLES WILL BE USED IN MOUNTING THE BASE PLATE.
8. POSITION THE BASE PLATE SUCH THAT THE HOLES IN THE BASE PLATE ALIGN WITH THE BOLT HOLES IN THE FRAME AND HAND START THE 12MM BOLTS WITH LOCKWASHERS SUPPLIED AND THE BOLTS REMOVED FROM THE "TIE DOWN" BRACKET. USE LOCKTITE ON ALL BOLTS.
9. THE DIMENSIONAL VARIATIONS BETWEEN OTHERWISE IDENTICAL CARS CAN BE CONSIDERABLE. WHILE THE LOCATION AND SIZE OF THE HOLES IN THE BASE PLATE WERE DESIGNED TO FACILITATE EASY INSTALLATION, IT MAY BE NECESSARY TO FILE A HOLE SLIGHTLY TO ALLOW A BOLT TO CLEAR.
10. WHEN ALL BOLTS ALIGN, TIGHTEN SECURELY.
11. REPLACE TRIM PANEL.
12. WITH ALL BOLTS PROPERLY INSTALLED, YOU ARE READY TO INSTALL THE TOW BAR. HOLD THE TOW BAR IN POSITION WITH THE TABS ALIGNED INSIDE THE TABS OF THE BASE PLATE AND INSERT THE PINS. SLIDE THE HAIRPIN CLIPS THROUGH THE HOLES IN THE PINS. INSTALL A SAFETY CHAIN AND ADJUST THE COUPLER.
13. DO NOT SUBSTITUTE OTHER DEVICES IF THE PIN AND CLIP ARE LOST.



COUPLER FIT ADJUSTMENT



1. Using a 3/4" socket adjust the coupler to the ball by turning the nut. Tighten or loosen the nut until firm contact between coupler and ball is established.
2. Check ball to housing tension periodically and tighten if necessary.
3. Lightly lubricate the ball.



1. "X" pattern below Tow Bar solidly connected to the frame of the towing car and to the Base Plate convenience loops.
2. Permanent chains connected to the convenience loops and to the frame of the towed car.
3. Use cable or chain with at least the load rating that is on the coupler.