



BX3738

2000-02 Toyota Tundra Installation Instructions

Serial Number

Attachment Tab Height:

Attachment Tab Width:

Please read BOTH these Installation Instructions and the General Instructions prior to installing or operating this equipment.

- Blue Ox® towing products and accessories are intended to be installed by Blue Ox® Dealers who are familiar with our products and have the equipment and knowledge necessary to do “fit work”. If needed, Blue Ox® Dealers can be found at www.blueox.com or by contacting our Customer Care Department at (402) 385-3051.
- Many Blue Ox® baseplates are designed to use existing holes and hardware to mount the baseplate to the towed vehicle. Even though bolts are there, do not assume they are adequate for baseplate mounting. Always use the hardware supplied in the hardware kit and existing hardware as specified in the installation instructions.

Bolt Torque Specifications		
Torque in Foot-Pounds for Metric Bolts		
Bolt Size	Grade 8.8	Grade 10.9
6MM	6	8
8MM	16	22
10MM	31	40
12MM	54	70
14MM	89	117

Bolt Torque Specifications		
Torque in Foot-Pounds for Inch Bolts		
Bolt Size	Grade 5	Grade 8
1/4"	10	14
5/16"	19	29
3/8"	33	47
7/16"	54	78
1/2"	78	119
5/8"	154	230



If the front of your vehicle looks different than this, please contact us at (402)385-3051.

Reference your vehicle owner’s manual for manufacturer’s towing specifications.

WARNING

Failure to read and follow these instructions could result in separation of the towed vehicle from the tow bar, causing property damage, loss of towed vehicle, personal injury or death.

BX3738
2000-02 Toyota Tundra
Installation Instructions

Instruction Notes: The fascia is removed and reinstalled for the baseplate installation. Some drilling and trimming is required.

Place all components that are removed on a flat, sturdy surface. All items will be reinstalled unless otherwise noted after the baseplate is installed.

The dimensional variations between otherwise identical vehicles can be considerable. While the baseplate was designed for easy installation, it may be necessary to tailor the baseplate slightly to compensate for vehicle manufacturer's tolerances.

The BX8869 Tail Light Wiring Kit is recommended for this vehicle.



Drill a hole according to the tail
light wiring kit instructions.

NOTICE

- Handling of some cosmetic parts when installing this product may require the use of protective covers, rags, specialty tools, etc. to prevent damage.
- When using power drills be aware of the dangers of torque and drill bit length.
- Be sure that **ALL** electrical connections are plugged in properly and functioning before reinstalling the fascia.
- Do not use the towed vehicle for storing luggage, equipment, etc. This may cause you to exceed the towing capacity of the tow bar, baseplate and its accessories.
- Be sure to use Loctite® Red on all bolts before tightening. Tighten all bolts according to the torque chart provided.

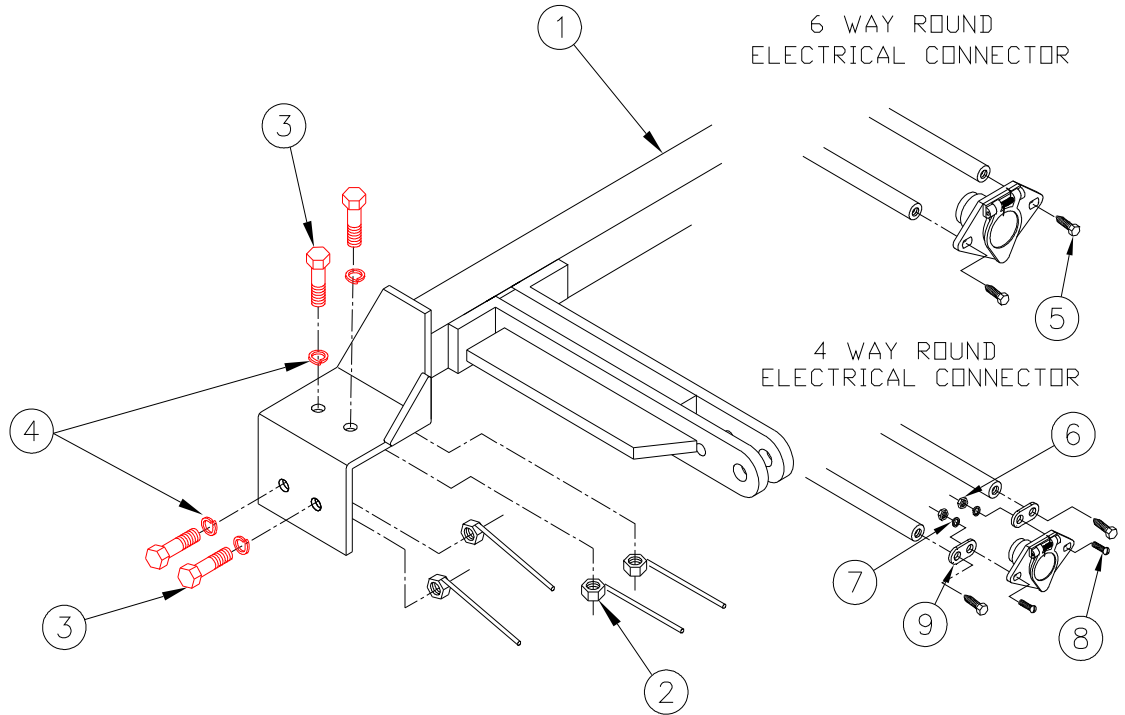
BX3738

2000-02 Toyota Tundra

Installation Instructions

Tools Required

Phillips Screwdriver
 Torque Wrench
 Drill
 Tape Measure
 Loctite® RED
 1/2" Drill Bit
 10MM Wrench
 12MM Wrench
 14MM Wrench



Item No.	Part No.	Description	Qty.
1.....	61-5463	BX3738 Baseplate.....	1
2.....	61-4029	1/2" Wire Nut.....	8
3.....	201-051	1/2-13 x 1-1/2 Hex Head Bolt, Grade 5.....	8
4.....	203-0012	1/2" Lock Washer	8
5.....	201-0553	1/4-20 x 1/2" Hex Wshd Bolt Type F TCS, ZP.....	2
6.....	202-0047	#10-32 Hex Nut	2
7.....	203-0011	#10 Lock Washer, ZP	2
8.....	201-0192	#10-32 x 1/2" Rd. Head Screw	2
9.....	101-5822	Adapter, 4 Way Connector	2
10.....	226-0046(not shown)	Class III Safety Cables	2
11.....	229-0359(not shown)	3/8" Quicklink, ZP	2

BX3738 2000-02 Toyota Tundra Installation Instructions

The front bumper fascia and outside plastic rock guards need to be removed for installation of this baseplate, the steel belly pan does not need to be removed. The head lights, turn signals and cross piece can optionally be removed for ease of installation. DEALER OR INSTALLER: BE CERTAIN THE USER RECEIVES THE INSTRUCTION SHEET.

1. Remove the two plastic rock guards that are on each side of the steel belly pan.
2. Looking underneath the vehicle locate the brackets bolted to the front bumper. Remove the two bolts which fasten the brackets to the frame.
3. Directly in front of the tires are small holes in the plastic fender well molding which expose a 10mm Hex head bolt. Remove these bolts. Now you should be able to remove the bumper fascia.

Option: The molding that extends across the front of the vehicle may interfere with drilling the top holes for the baseplate. To remove the molding, the head lights and tail markers need to be taken off first. To do this remove the top pin connecting the tail markers and the headlights. Then pull the side markers out and disconnect the electrical wiring. Remove the set of 10mm bolts which are on each side of the headlight assemblies. Pull the headlights out and disconnect the electrical wiring. Now the bolts which hold the molding are exposed. Remove the 10mm bolts connecting the molding, once this is done set the pieces aside.

4. To place the baseplate on the vehicles frame it needs to be placed on one end at a time. Hold the drivers side end of the baseplate away from the vehicle approximately a foot or two and set the passenger side on the frame just behind the metal bumper. **NOTE: The canister set off to the passengers side in front of the radiator needs to be loosened from its bracket and moved up 1/2" or as much as it allows you to move it. Be careful not to damage anything on the canister.**
5. Mark and drill one of the top 1/2" holes on the baseplate. Insert a 1/2" bolt and lock washer in the baseplate and bumper. Apply Loctite Red to one of the 1/2" wire nuts and insert it through the opening just behind the metal bumper and the frame threading it to the bolt (hand tighten only.) Next drill a hole for one of the holes on the other side of the baseplate using same hardware as above. Once two bolts (one on each side) have been started tighten according to the Torque Chart in the General Instruction sheet.
6. Once two bolts have been started drill and bolt the other six holes. There are a total of four 1/2" wire nuts inserted into the frame, two can be inserted from the top of the frame and two from the bottom. Use Loctite Red on each bolt.



BX3738
2000-02 Toyota Tundra
Installation Instructions

7. Attach the permanent baseplate safety cables to the provided convenience link on the baseplate. Additional options may interfere with suggested mounting; in this case, secure the cables to a solid piece of the frame as described in the instructions included with the permanent baseplate safety cables. Be sure the safety cables do not rub against any hoses or moving parts. Do this on both sides of the vehicle.
8. Replace the cross molding, headlights and bumper fascia, connect all wiring for headlights and turn signals.

CUSTOMER SERVICE COMMITMENT

Blue Ox® is committed to providing you with exceptional customer care throughout your lifetime with our products. Our team is here to assist you with any questions you may have regarding the performance of your product. Simply call (402) 385-3051 and you can speak with our customer care team.

Additionally, please visit our website to see which rallies our Destination America team will be attending. For a nominal fee, our service technician will service your towing system to ensure it's in proper working condition. Also, as a commitment to our customers, should you visit our factory, you can stay at our full service Blue Ox® campground at no charge along with enjoying a factory tour.

Again, thank you for being our customer and for the confidence you have shown in the performance of our products. It is because of customers like you we enjoy the success we have today.

© 2012 Blue Ox
One Mill Road, Industrial Park
Pender, Nebraska 68047
Phone: (402) 385-3051
Fax: (402) 385-3360
www.blueox.com