

2007-10 Toyota Scion TC Installation Instructions

Serial Number

Please read BOTH these Installation Instructions and the General Towing Instructions before attempting to install or operate this equipment.

1. Blue Ox® towing products and accessories are intended to be installed by Blue Ox® Dealers who are familiar with our products and have the equipment and knowledge to do “fit work.” When necessary, Blue Ox® Dealers can be found at www.blueox.com or by contacting our Customer Care Department at (402) 385-3051.

Attachment Tab Height: 13”
Attachment Tab Width: 17”

2. Many Blue Ox® Baseplates are designed to use existing holes and hardware to mount the baseplate to the towed vehicle. Even though bolts are there, do not assume they are adequate for baseplate mounting. Always use hardware supplied in the hardware kit or existing hardware specified in the Baseplate Towing Installation Instructions.

Bolt Torque Specifications

Torque in Foot-Pounds for Metric Bolts

Bolt Size	Grade 8.8	Grade 10.9
6MM	6	8
8MM	16	22
10MM	31	40
12MM	54	70
14MM	89	117

Confirm the towability and pre-towing procedures for your vehicle with the owner’s manual or contact the vehicle’s manufacturer for specific towing procedures.

Bolt Torque Specifications

Torque in Foot-Pounds for Inch Bolts

Bolt Size	Grade 5	Grade 8
1/4”	10	14
5/16”	19	29
3/8”	33	47
7/16”	54	78
1/2”	78	119
5/8”	154	230



If the front of your vehicle looks different than this, call us at (402) 385-3051.

WARNING

Failure to read and follow these instructions could result in separation of the towed vehicle from the tow bar, causing property damage, loss of towed vehicle, personal injury or death.

BX3773

2007-10 Toyota Scion TC

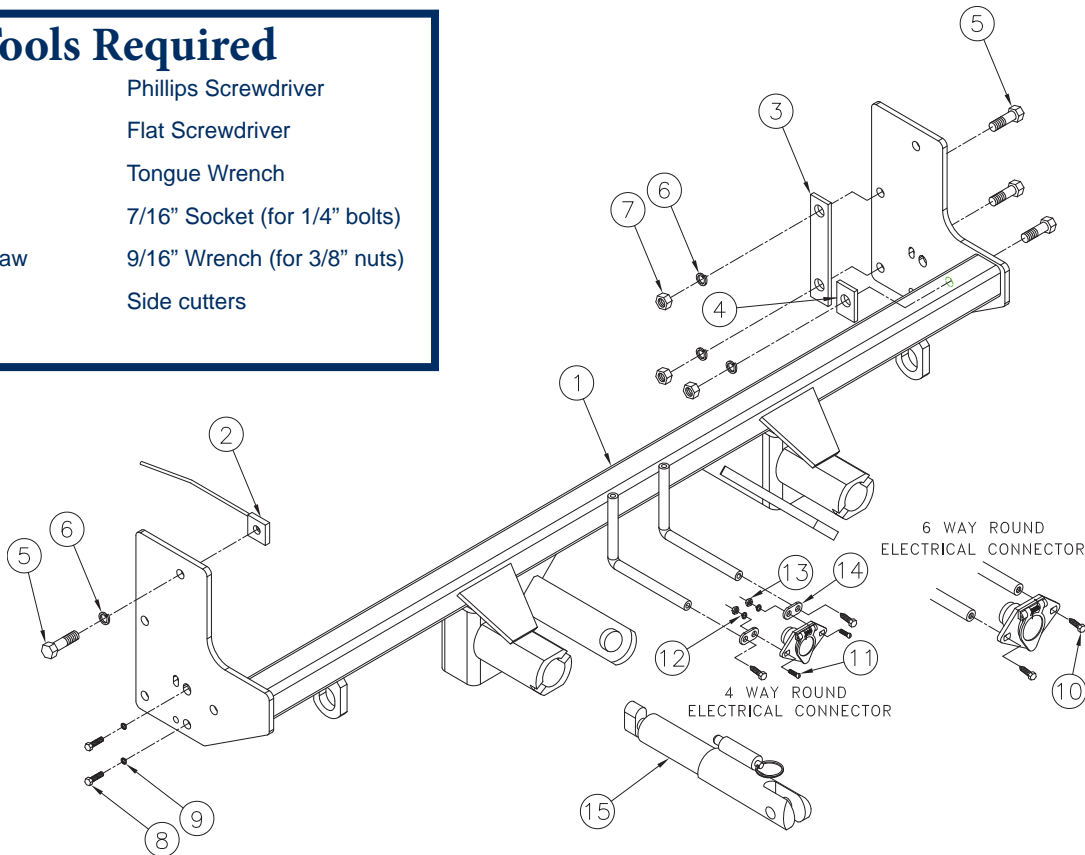
Installation Instructions

Parts List

Ref. No.	Qty.	Part #	Description
1	1	61-6396	Weldment, Base Plate, BX3773
2	2	61-5208	3/8" Nut Plate, with 14" Wire
3	2	102-6560	Spacer Plate, 3/16 x 1 x 5 Inch
4	2	102-6559	Spacer Plate, 3/16 x 1 x 1 1/2 Inch
5	8	201-0368	3/8-16 x 1 1/4 Bolt, Grd. 5, ZP
6	8	203-0010	3/8 Lock Washer, ZP
7	6	202-0003	3/8-16 Hex Nut, ZP
8	4	201-0655	6MM-1.0 x 30MM Hex Bolt, Grd. 8.8, ZP
9	4	203-0009	5/16" Lock Washer, ZP
10	2	201-0553	1/4-20 x 1/2 Hx. Wshd, Type F Screw
11	2	201-0192	#10-32 x 1/2 Slot, Rd. Hd. Screw
12	2	203-0054	#10 Lock Washer
13	2	203-0047	#10-32 Hex Nut
14	2	101-5822	Adapter, 4 Way Connector
15	2	62-3469	Attachment, Assembly, Removable Tabs
	2	229-0359	3/8" Quick Link, ZP (not shown)
	2	226-0046	Permanent Baseplate, Safety Cables Class III (not shown)
	2	290-0437	Receiver, Cap Plug (not shown)

Tools Required

Loctite® RED	Phillips Screwdriver
9/16" Socket	Flat Screwdriver
10MM Socket	Tongue Wrench
13/32" Drill Bit	7/16" Socket (for 1/4" bolts)
Reciprocating Saw	9/16" Wrench (for 3/8" nuts)
Tape Measure	Side cutters
Utility Knife	



Important:

Use only genuine factory replacement parts on your baseplate. Do **NOT** substitute homemade or non-typical parts. If a bolt is lost or in need of replacement, for your safety and the preservation of your baseplate, be sure to use a replacement bolt of the same grade (In most cases it will be Grade 5, please reference the parts list above). Replacement parts may be ordered through your nearest Blue Ox® Dealer or Distributor. Failing to follow and/or altering these installation instructions in either installation or required equipment will void the manufacturer's warranty. Towing behind a non-motorized vehicle will void the warranty.

2007-10 Toyota Scion TC

Installation Instructions

Vehicle Weight:

Motorhome mount tow bars are recommended for use with this baseplate. Due to the design of the removable tabs, the RangeFinderII, Adventurer, and Ambassador tow bars can not be used. The Acclaim tow bar may be used but will not fold and store on the front of the vehicle. Adapters, except the BX8833 and BX88151, can not be used with this baseplate.

Installation Notes: The fascia, styrofoam bumper, air baffle and air bag sensor are removed and reinstalled during installation of the baseplate. Drilling is required. Trimming of the front webbing, styrofoam bumper and fascia is required.

The dimensional variations between otherwise identical vehicles can be considerable. While the baseplate was designed for easy installation, it may be necessary to tailor the baseplate slightly to compensate for auto manufacturer's tolerances. These minor adjustments may include filing a hole slightly, bending electrical rods or bending end plates.

The BX8869 Bulb and Socket Wiring Kit is recommended for this vehicle.

Handling of some cosmetic parts when installing this product may require the use of protective covers, rags, specialty tools, etc. to prevent damage.

Installation Instructions:



1. Using a flat screwdriver, remove one plastic push pin from both sides and one from the center. Remove hood stop push pin with the flat screw driver, both sides. Set push pins and bolts aside to be reinstalled later.



2. Using a 10MM socket, remove one metric bolt just forward of the front tire, on wheel well. Repeat for both sides of the vehicle. Set bolts aside to be reinstalled later.



3. Using a 10MM socket, remove one metric bolt from inside front wheel well on fascia's upper corner. Repeat for both sides of vehicle. Set bolts aside to be reinstalled later.

BX3773
2007-10 Toyota Scion tC
Installation Instructions



4. Using 10MM socket, remove two metric bolts just forward of the front tire on bottom side of fascia. Do this to both sides of vehicle.



5. Remove three metric bolts from lower edge of fascia using a 10MM socket. Pull fascia out to the side, then forward, set aside carefully and remove styrofoam from metal bumper.



6. Remove one Phillips push pin from air dam. Set aside air baffle for later reinstallation.



7. Using a 10MM socket, remove two metric bolts from air bag sensor. Set aside bolts and air bag sensor for later reinstallation.

Using a good quality paint, spray cut edges of frame to prevent rusting.



8. Measure 7" down from the bottom side of metal bumper to the lower front tie down bracket webbing, do to both sides.



9. Using the reciprocating saw, cut and remove front webbing of tie down bracket, both sides. This will open area to allow baseplate to slide onto the outside of tie down bracket and frame.

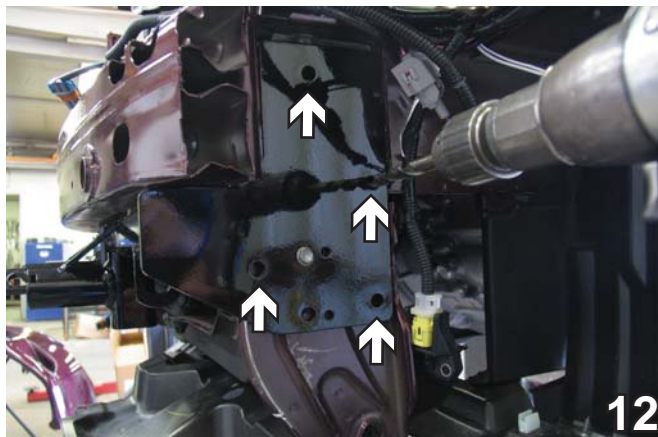
BX3773

2007-10 Toyota Scion tC

Installation Instructions

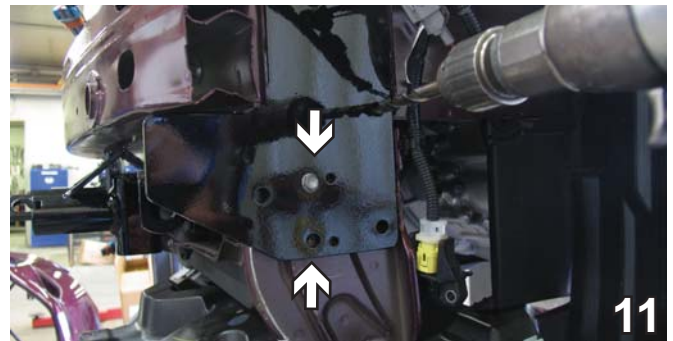
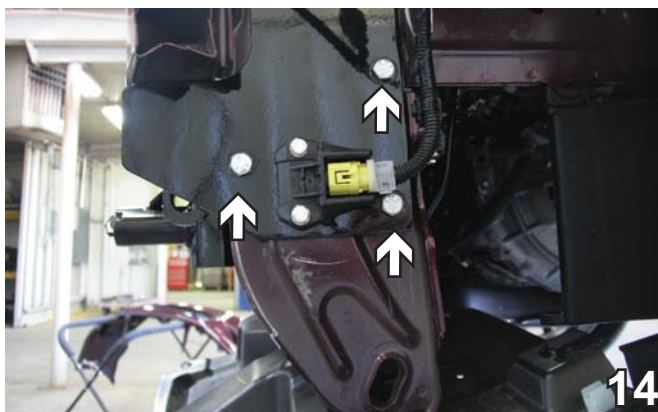


10. Align styrofoam to original position. You will need to cut out a 1/2" to 3/4" section with utility knife; do on both sides to slide back on completely.



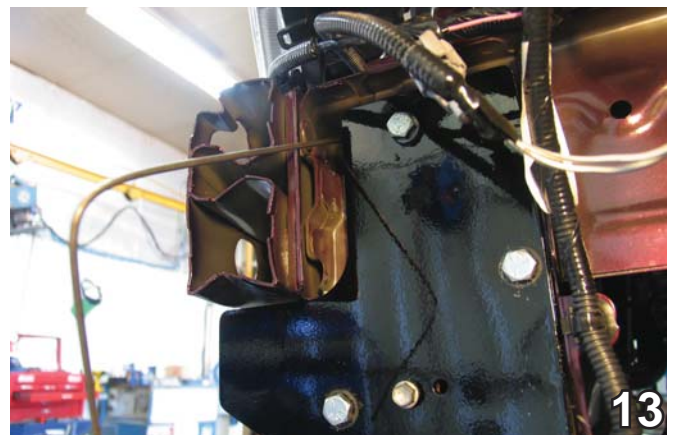
12. Using the baseplate as a template, drill the holes into the frame and webbing with the 13/32" drill bit, both sides.

When using power drills be aware of the dangers of torque and drill bit length.



11. Slide the baseplate into place lining up and centering the holes of the baseplate with the air bag sensor holes. Insert and tighten sensor bolts to hold baseplate in place.

BE SURE TO USE LOCTITE® RED ON ALL BOLTS BEFORE TIGHTENING. TIGHTEN ALL BOLTS ACCORDING TO THE TORQUE CHART ON THE FRONT PAGE OF THESE INSTRUCTIONS OR ON PAGE 3 OF THE BASEPLATE TOWING GENERAL INSTRUCTIONS.



13. Behind the bumper bracket there is an opening to insert nut plate to align with upper drilled hole. Insert 3/8" bolt and lock washer into nut plate and tighten.

14. Insert 3/8"-16 x 1 1/4" hex bolts into the three lower holes of baseplate, spacer plate and tie down webbing; tighten lock washer and hex nut on back side of webbing. Do this to both sides. Realign air bag sensor to existing position and bolt back in place with 6MM-1.0 x 30MM hex bolts provided using a 10MM socket.

BX3773

2007-10 Toyota Scion tC

Installation Instructions



15. Attach the permanent baseplate safety cables to the provided convenience link on the baseplate (see grey arrow). The photo above shows the recommended installation of the cables to frame of vehicle (see white arrow). Additional options may interfere with suggested mounting; in this case secure the cables to a solid piece of the frame as described in the instructions included with the permanent baseplate safety cables. Be sure the safety cables do not rub against any hoses or moving parts. Do this to both sides of the vehicle.

Be sure that **ALL** electrical connections are plugged in properly and functioning **BEFORE** installing the fascia.



16. Reattach air dam. Align the fascia to its original position and using a side cutters, remove area around attachment tab receiver and quick link to allow it to come through the fascia. Do this to both sides of the vehicle.

Install the tow bar and safety cables according to the instructions provided in their packages. When demonstrating to customer, be sure to include all original content and packages. Do **NOT** substitute other devices if the tow bar pins and clips are misplaced.

DEALER or INSTALLER:
Be certain the user receives the instruction sheets for their products.

BX3773

2007-10 Toyota Scion tC

Installation Instructions



If the baseplate is in an accident, it must be replaced. DO NOT use it again! An accident can cause unseen damage and using it again could result in more damage or serious injury. DO NOT use the baseplate if it is damaged or missing parts.

CUSTOMER SERVICE COMMITMENT

Blue Ox is committed to providing you with exceptional customer care throughout your lifetime with our products. Our team is here to assist you with any questions you may have regarding the performance of your product. Simply call (402) 385-3051 and you can speak with our customer care team.

Additionally, please visit our website to see which rallies our Destination America team will be attending. For a nominal fee, our service technician will service your towing system to ensure it's in proper working condition. Also as a commitment to our customers, should you visit our factory you can stay at our full service Blue Ox campground at no charge along with enjoying a factory tour.

Again thank you for being our customer and for the confidence you have shown in the performance of our products. It is because of customers like you we enjoy the success we have today.



© 2007, 10 Blue Ox
One Mill Road, Industrial Park
Pender, Nebraska 68047
Phone: (402) 385-3051 • Fax: (402) 385-3360
www.blueox.com