

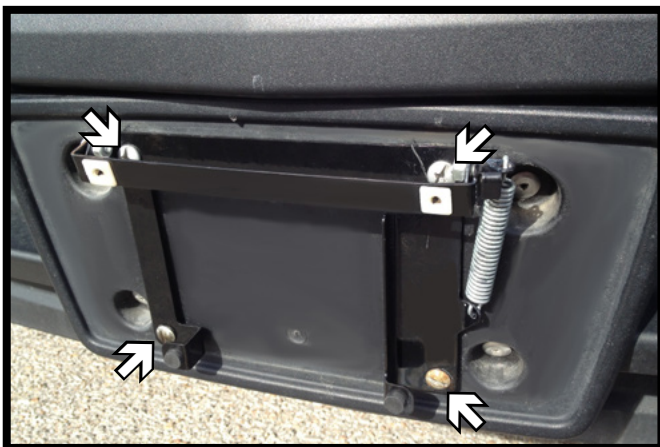


BLUE OX[®]

BX88290

Spring Loaded License Plate Bracket Installation Instructions

Serial Number



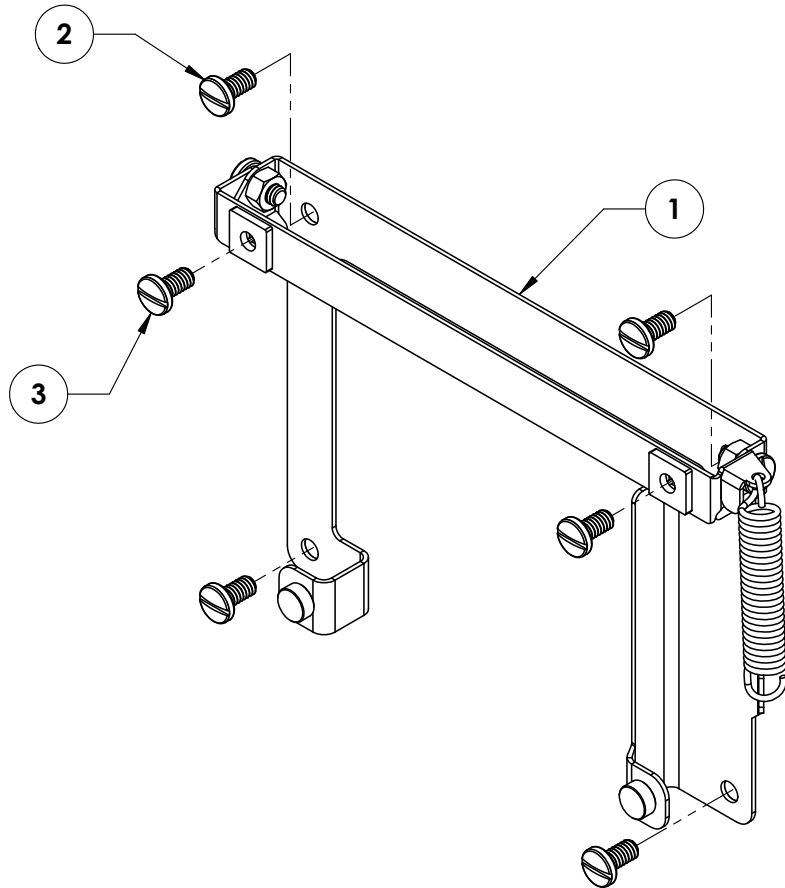
1. Remove the existing license plate. Install the license plate bracket into the factory holes with four (4) 1/4"-20 screws.



2. Install the license plate onto the license plate bracket, using two (2) #10-24 screws, in the upper two (2) plastic inserts.

BX88290
Spring Loaded License Plate Bracket
Installation Instructions

Tools Required
 Flat Screwdriver
 Phillips Screwdriver



Item No.	Part No.	Description	Qty.
1.....	62-3875	Spring Loaded License Plate Bracket	1
2.....	201-0112	1/4\"-10 x 1/2\" Slot Truss Head Screw	4
3.....	201-0785	#10-24 x 3/4\" Slot Truss Head Screw.....	2

CUSTOMER SERVICE COMMITMENT

Blue Ox® is committed to providing you with exceptional customer care throughout your lifetime with our products. Our team is here to assist you with any questions you may have regarding the performance of your product. Simply call (402) 385-3051 and you can speak with our customer care team.

Additionally, please visit our website to see which rallies our Destination America team will be attending. For a nominal fee, our service technician will service your towing system to ensure it's in proper working condition. Also, as a commitment to our customers, should you visit our factory, you can stay at our full service Blue Ox® campground at no charge along with enjoying a factory tour.

Again, thank you for being our customer and for the confidence you have shown in the performance of our products. It is because of customers like you we enjoy the success we have today.

© 2012 Blue Ox
 One Mill Road, Industrial Park
 Pender, Nebraska 68047
 Phone: (402) 385-3051
 Fax: (402) 385-3360
 www.blueox.com