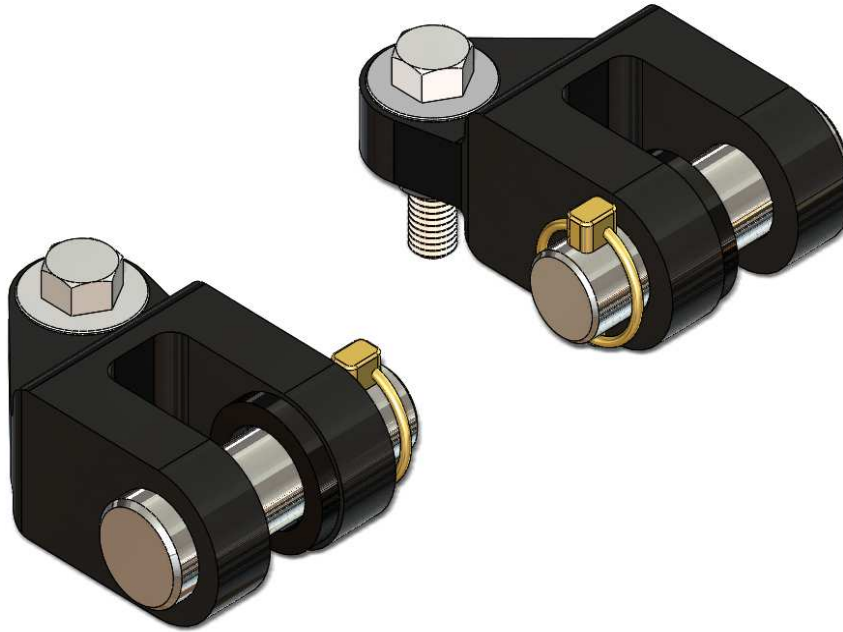




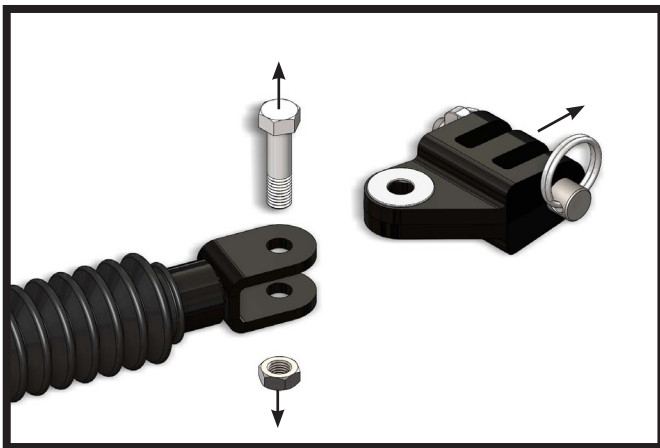
BX88307

Hammerhead Bumper Adapter Installation Instructions

Serial Number



When using a Blue Ox adapter to flat tow a vehicle by the aftermarket bumper, it is the customer's responsibility to contact the bumper manufacturer and verify that the vehicle can be towed by the aftermarket bumper.

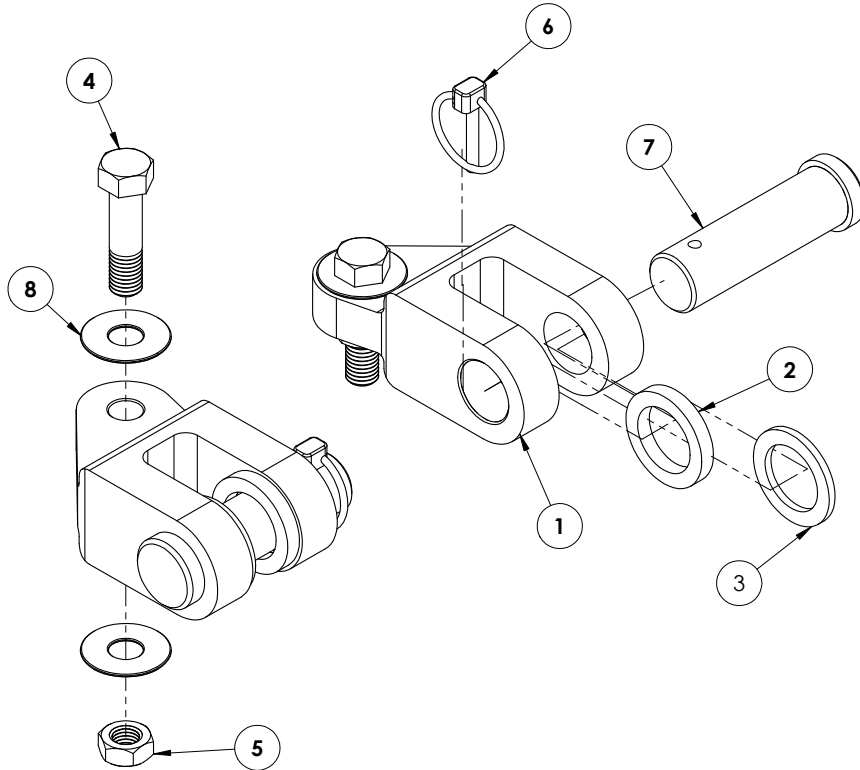


1. Using a 3/4" socket and wrench, remove the existing 1/2"-13 bolt and 1/2"-13 jam nut from the tow bar leg. Remove the existing lug and washers from the tow bar leg. Do this on both tow bar legs.



2. Install the offset double lug onto the tow bar leg with the new washers, 1/2"-13 x 2" bolt and 1/2"-13 jam nut provided. Tighten the bolt until the lug is tight against the washers, but can still freely move side to side. Do this on both tow bar legs.

BX88307 Hammerhead Bumper Adapter Installation Instructions



Tools Required
3/4" Socket
3/4" Wrench

Item No.	Part No.	Description	Qty.
1.....	102-7583	Offset Double Lug.....	2
2.....	107-3534	1/4" Spacer Bushing.....	2
3.....	107-3615	1/8" Spacer Bushing.....	2
4.....	201-0645	1/2"-13 x 2" Hex Head Bolt, Short Thread	2
5.....	202-0143	1/2"-13 Essna Jam Nut, ZP	2
6.....	229-0829	Quick Pin	2
7.....	229-0934	1" Dia x 2-11/16" Eff. Pin, ZP.....	2
8.....	290-0381	Washer, .523" ID x 1.363" OD	4

Note: If the bumper attachment plate is 3/4" thick use the supplied 1/4" spacer between the plate and lug.
If the bumper attachment plate is 7/8" thick use the supplied 1/8" spacer between the plate and lug.

CUSTOMER SERVICE COMMITMENT

Blue Ox® is committed to providing you with exceptional customer care throughout your lifetime with our products. Our team is here to assist you with any questions you may have regarding the performance of your product. Simply call (402) 385-3051 and you can speak with our customer care team.

Additionally, please visit our website to see which rallies our Destination America team will be attending. For a nominal fee, our service technician will service your towing system to ensure it's in proper working condition. Also, as a commitment to our customers, should you visit our factory, you can stay at our full service Blue Ox® campground at no charge along with enjoying a factory tour.

Again, thank you for being our customer and for the confidence you have shown in the performance of our products. It is because of customers like you we enjoy the success we have today.

© 2015 Blue Ox
One Mill Road, Industrial Park
Pender, Nebraska 68047
Phone: (402) 385-3051
Fax: (402) 385-3360
www.blueox.com