



BX88310

Blue Ox / Demco Lug Adapter Kit Installation Instructions

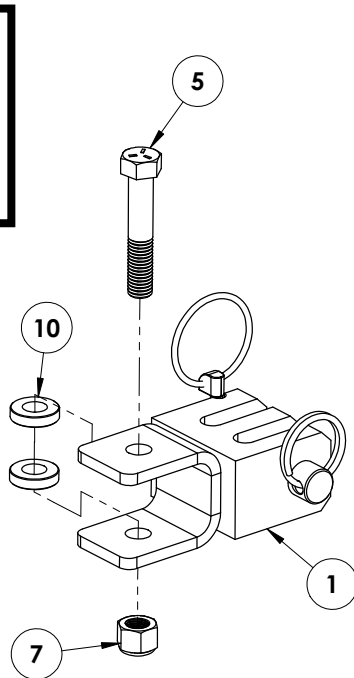
Serial Number

BX88310 Lug Kit

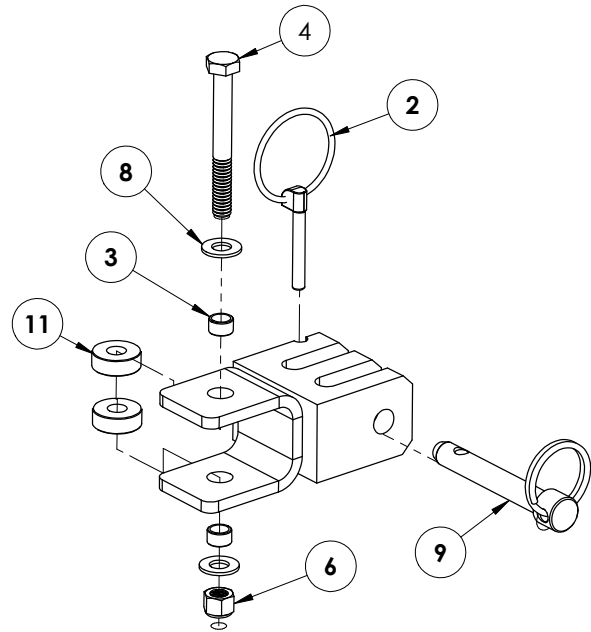
The BX88310 Blue Ox / Demco Lug Adapter Kit is designed to adapt Demco Commander, Excalibur II & Dominator tow bars to Blue Ox baseplates.

Tools Required

3/4" Socket
3/4" Wrench
or
9/16" Socket
9/16" Wrench



DEMCO EXCALIBUR II TOW BAR



DEMCO COMMANDER TOW BAR

**NOTE: DEMCO DOMINATOR TOW BAR WILL
USE IT'S ORIGINAL SPACERS**

Item No.	Part No.	Description	Qty.
1.....	61-7406.....	Blue Ox Triple Lug.....	2
2.....	62-3213.....	Quick-Pin.....	2
3.....	107-3585.....	Commander Bushing.....	2
4.....	201-0188.....	3/8"-16 x 3-1/4" Hex Head Bolt, Grade 5, ZP.....	2
5.....	201-0616.....	1/2"-20 x 2-3/4" Hex Head Bolt, Grade 5, ZP.....	2
6.....	202-0090.....	3/8"-16 Hex Nylon Lock Nut, ZP.....	2
7.....	202-0150.....	1/2"-20 Hex Nylon Lock Nut, ZP.....	2
8.....	203-0003.....	3/8" Flat Washer, ZP.....	4
9.....	229-0520.....	1/2" x 2-5/8" Pin, ZP.....	2
10.....	290-0574.....	Excalibur II Spacer Tube.....	4
11.....	290-0575.....	Commander Spacer Tube.....	4

Important:

Do **NOT** substitute homemade or non-typical parts. If a bolt is lost or in need of replacement, for your safety and the preservation of your kit, be sure to use a replacement bolt of the same grade (In most cases it will be Grade 5, please reference the parts list above). Replacement parts may be ordered through your nearest Blue Ox® Dealer or Distributor. Failing to follow and/or altering these installation instructions in either installation or required equipment will void the manufacturer's warranty. Towing behind a non-motorized vehicle will void the warranty.

BX88310
Blue Ox / Demco Lug Kit
Installation Instructions

Installation:

1. Remove the existing Demco lugs from the tow bar.
2. Install the new Blue Ox lugs onto the tow bar with the supplied or existing hardware for your particular Demco tow bar.
3. Tighten the hardware until the lugs are tight against the tow bar legs but can still be moved firmly by hand.

CUSTOMER SERVICE COMMITMENT

Blue Ox® is committed to providing you with exceptional customer care throughout your lifetime with our products. Our team is here to assist you with any questions you may have regarding the performance of your product. Simply call (402) 385-3051 and you can speak with our customer care team.

Additionally, please visit our website to see which rallies our Destination America team will be attending. For a nominal fee, our service technician will service your towing system to ensure it's in proper working condition. Also, as a commitment to our customers, should you visit our factory, you can stay at our full service Blue Ox® campground at no charge along with enjoying a factory tour.

Again, thank you for being our customer and for the confidence you have shown in the performance of our products. It is because of customers like you we enjoy the success we have today.

© 2014 Blue Ox
One Mill Road, Industrial Park
Pender, Nebraska 68047
Phone: (402) 385-3051
Fax: (402) 385-3360
www.blueox.com