

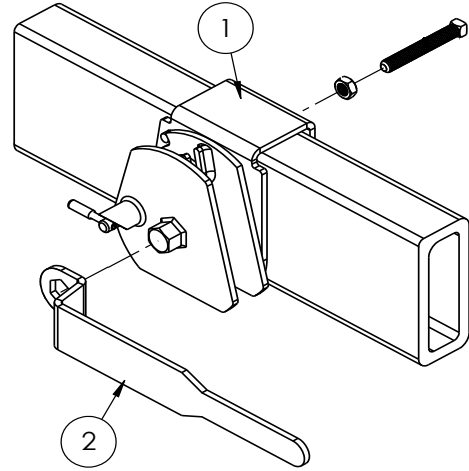


BXW4010

Clamp-On Rotating Latch Kit

Installation Instructions

1. Install the weight distribution hitch per manufacturer's instructions. Position the rotating latches on the frame so that the chain aligns with the center of the rotating latch.
2. Torque the set screws to 40 ft. lb.
3. Rotate the latch clockwise and place the desired chain link into the slot.
4. Rotate the latch counterclockwise to lock.



Item No.	Part No.	Description	Qty.
1.....	62-3774	Clamp-On Rotating Latch	2
2.....	62-3868	Rotating Latch Wrench	1
3.....	201-0054(not shown)...	1/2"-13 x 2" Square Head Set Screw.....	2

Note: If the trailer structure interferes with the rotating latches pre-installed set screws, replace them with the shorter 1/2"-13 x 2" set screws provided.

CUSTOMER SERVICE COMMITMENT

Blue Ox® is committed to providing you with exceptional customer care throughout your lifetime with our products. Our team is here to assist you with any questions you may have regarding the performance of your product. Simply call (402) 385-3051 and you can speak with our customer care team.

Additionally, please visit our website to see which rallies our Destination America team will be attending. For a nominal fee, our service technician will service your towing system to ensure it's in proper working condition. Also, as a commitment to our customers, should you visit our factory, you can stay at our full service Blue Ox® campground at no charge along with enjoying a factory tour.

Again, thank you for being our customer and for the confidence you have shown in the performance of our products. It is because of customers like you we enjoy the success we have today.

© 2014 Blue Ox
 One Mill Road, Industrial Park
 Pender, Nebraska 68047
 Phone: (402) 385-3051
 Fax: (402) 385-3360
www.blueox.com