



INSTALLATION INSTRUCTIONS

Thank you for purchasing ROCTECTION™ Hitch Mounted Mud Flaps. Agri-Cover, Inc. proudly manufactured these mud flaps using superior quality materials and workmanship. With proper care, your mud flaps will provide years of service and enjoyment.

NOTICE TO INSTALLER: Even if familiar with product, read instructions prior to installation as improvements may be made without notice. Always handle components with care. If you have questions or problems, have serial number ready and call customer service. When done, these instructions must be given to the consumer.

NOTICE TO CONSUMER: Before using mud flaps, read maintenance and safety sections. Save these instructions for future reference.

FOR YOUR RECORDS

DATE PURCHASED: _____

WHERE PURCHASED: _____

SERIAL NUMBER: _____

(Located on decal on back of frame)



Questions? (888) 568-3709
agricover.com

PREPARATION

COMPONENTS

- (4) Mud flaps with hardware
- (2) Rails
- (2) Rail plugs
- (2) Vinyl caps
- Stabilizer plate with hardware
- Clamp halves with hardware

TOOLS NEEDED

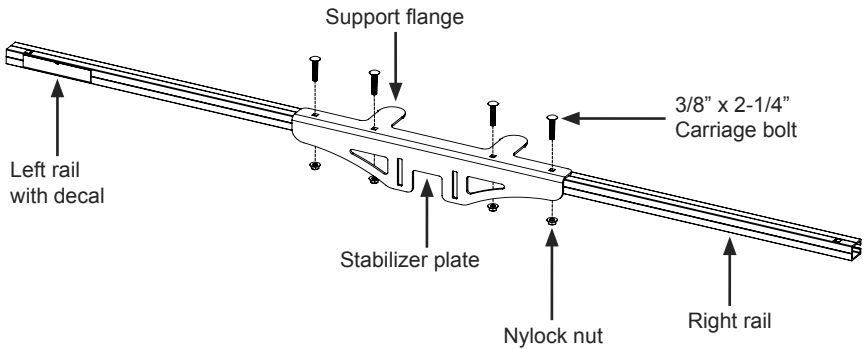
- 9/16" Wrench
- Drill with 13/32" drill bit
- Ft.-lb. torque wrench with 9/16" socket
- Utility knife
- Straight edge
- Protective eyewear
- Protective gloves

NOTE: Some modification may be needed for your truck model. For compact trucks, the rails may be shortened to appropriate lengths.

▲ CAUTION: Over torquing hardware may damage components.

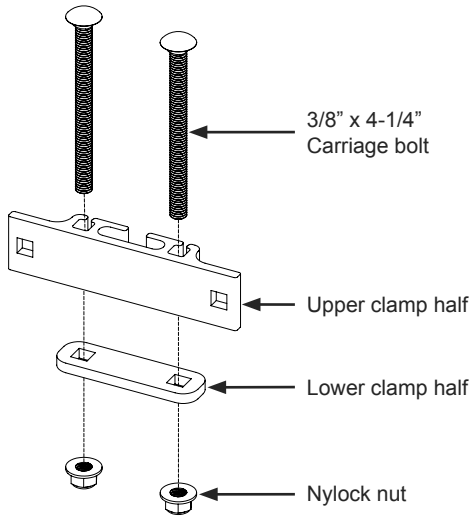
1: ASSEMBLE FRAME

- Align holes in stabilizer plate and rail (nut channel facing toward support flanges).
- Attach rail to stabilizer plate with (2) 3/8" x 2-1/4" carriage bolts and nylock nuts then tighten bolts.
- Repeat for opposite side.



2: ASSEMBLING CLAMP

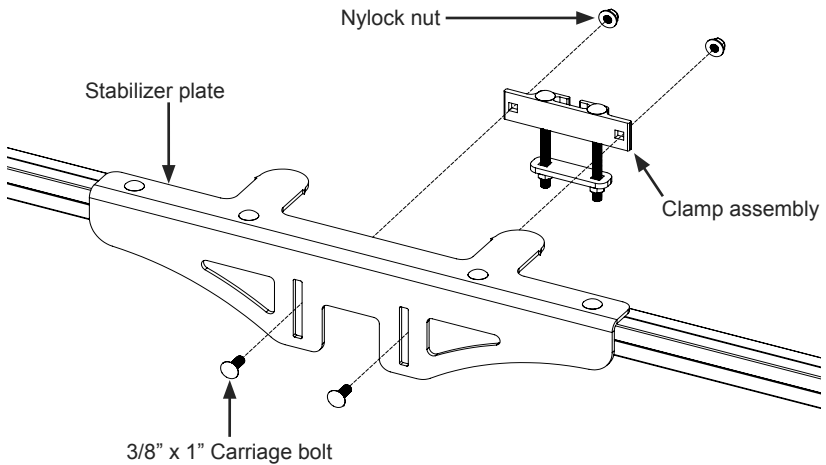
A. Insert (2) 3/8" x 4-1/2" carriage bolts through upper and lower clamp halves then finger tighten nylock nuts.



3: BOLT CLAMP ASSEMBLY TO STABILIZER PLATE

A. Position flat surface of clamp assembly on back of stabilizer plate so nuts face down.

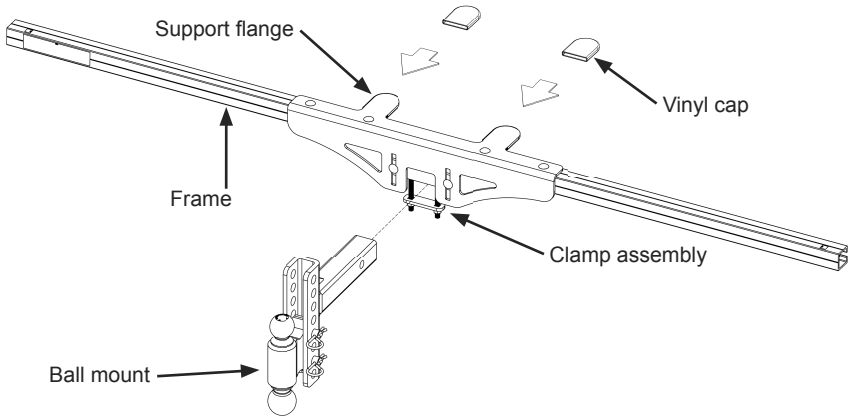
B. Attach clamp assembly to stabilizer plate with (2) 3/8" x 1" carriage bolts and nylock nuts, leave all bolts loose for now.



4: ASSEMBLING BALL MOUNT TO FRAME

A. Slide vinyl caps onto each of frame's support flanges. Slide ball mount through clamp assembly, then lift and insert ball mount into receiver. Secure with pin and clip.

NOTE: Ball mount not included. If holes in ball mount and receiver do not align for pin, or frame cannot hang straight and plumb, a longer ball mount may be needed before proceeding (page 7).

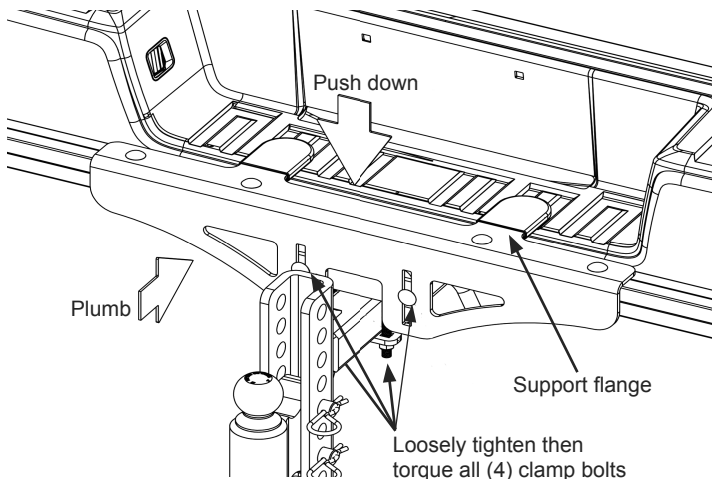


5: PLACING ROCTECTION ON BUMPER

A. Position support flanges on bumper step. Loosely tighten (2) 3/8" x 4-1/4" carriage bolts on clamp assembly.

NOTE: A gap should be left between frame and bumper.

B. Ensure frame is level with bumper, push down on frame firmly at bumper step. Verify vertical face of frame is plumb and tighten bolts equally. Torque all (4) clamp bolts to 32 ft-lbs.



6: ATTACHING FLAPS TO FRAME

▲ WARNING: Ensure exhaust fumes are NOT directed or redirected toward any plastic or flaps, including on the vehicle.

Precautionary Measures:

- Adjust exhaust tips per manufacturer's specifications
- Add an exhaust diverter
- Optional heat shield available to protect flap from hot exhaust (page 7)
- For rear exhaust, cut hole in flap 1" larger than exhaust tip, keep holes away from edges to prevent loss of strength

A. Position flaps to provide proper tire coverage.

NOTE: Always check ground clearance of flaps. Suggested clearance without a load is 5"-7" and with a load is 3" minimum to prevent dragging. Install on vehicles with suspension modifications or oversized tires may exceed suggested clearance. Mud flaps still function, though performance may be affected.

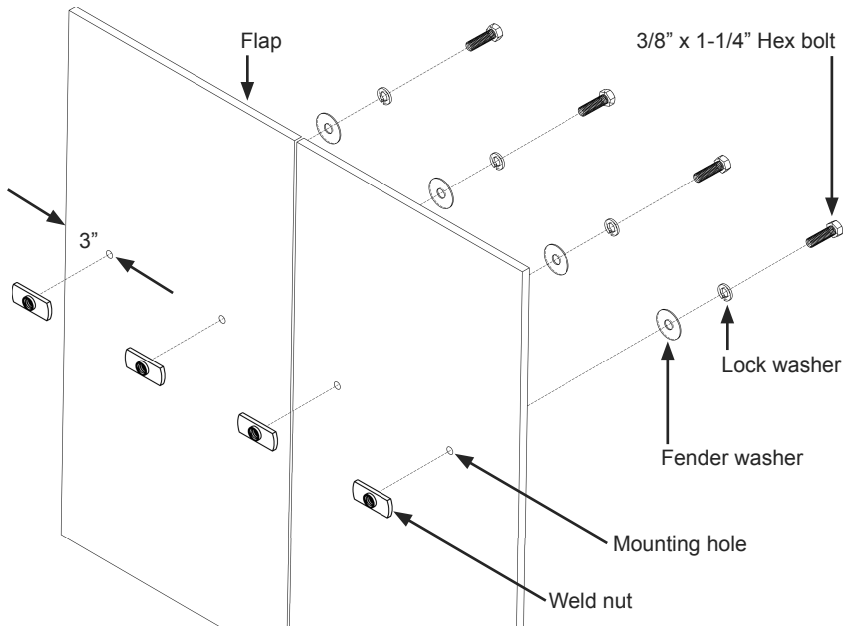
TIP: If trimming is necessary, lay flaps on flat surface. Use straight edge and utility knife to repeatedly score through flap.

B. Drill mounting holes 3" or more from edge at selected height.

C. Insert 3/8" x 1-1/4" hex bolts, lock washers and fender washers into flap, secure with weld nut. Keep loose for now.

D. Repeat on opposite side.

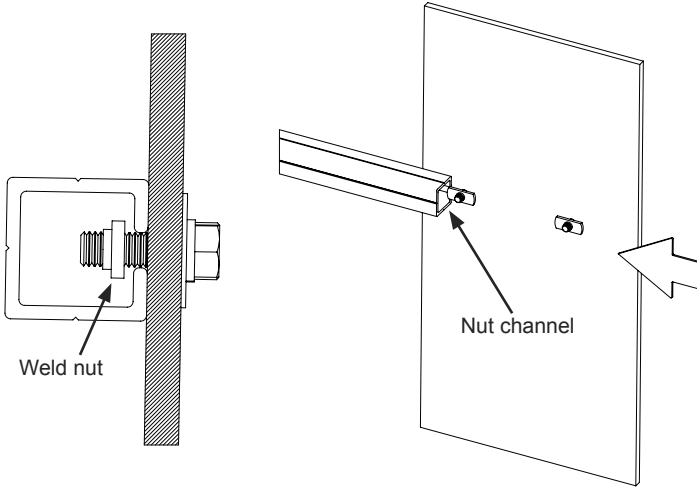
TIP: If installing trim plates, refer to trim plate instructions.



6: ATTACHING FLAPS TO FRAME (Continued)

E. Slide weld nuts on back of flap into nut channel on rails then push plug into end of frame.

F. Repeat on opposite side.

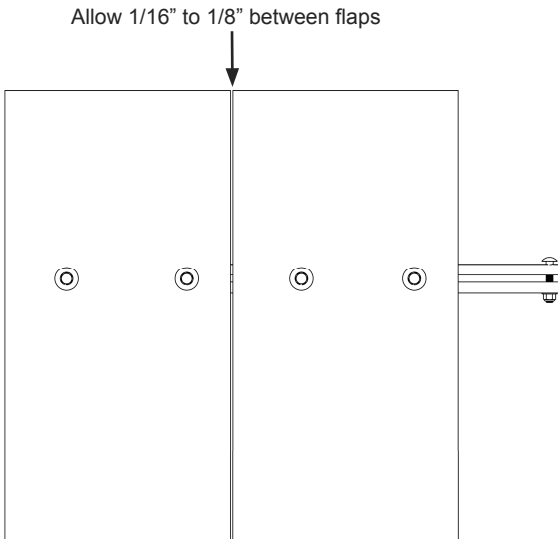


7: SECURE FLAPS

A. Slide outside flap back to edge of rail and align with the outside of your tire.

NOTE: If trim plates were not installed, slide inside flap almost against the outside flap. Keep $1/16''$ to $1/8''$ between flaps.

B. Tighten hex bolts until lock washers are fully compressed.



SAFETY AND MAINTENANCE

The operator can perform most of inspection and maintenance. It may be necessary to review the installation instructions.

- Always route safety chains under mud flap frame.
- Always remove mud flaps before entering automatic car wash systems.
- DO NOT use mud flap frame as a step.
- DO NOT hook up anything to mud flap frame.
- Periodically check all bolts and nuts, retighten if needed.

NOTE: Inspection and/or maintenance should be performed anytime a malfunction is observed or suspected. If you need assistance inspecting and/or servicing your mud flaps, call customer service at 888-568-3709. Always use original equipment replacement parts for your mud flaps.

ACCESSORIES

2-1/2" RECEIVER CLAMP

Corrosion resistant clamp and mounting hardware designed to attach ROCTECTION™ Mud Flaps to 2-1/2" ball mount.

PN 4001591



HEAT SHIELD

Protects the flap from hot exhaust. Stainless steel plate and hardware included.

PN 80807



EXTENDED SHAFT 2" BALL MOUNTS

Black powder coated finish with up to 7,500 lbs. capacity. Extended shaft made to work with hitch mounted mud flaps.

Two Options:

2" Drop PN 80812

4" Drop PN 80826



MANUFACTURER'S LIMITED WARRANTY

Agri-Cover, Inc. extends the following (1) year Limited Warranty for the ROTECTION™ Hitch Mounted Mud Flaps:

Agri-Cover, Inc. warrants its ROTECTION™ Hitch Mounted Mud Flaps to be free from defects in workmanship, under normal use for the truck model it was intended for. This Limited Warranty does not cover any damage due to accident, abuse, misuse, alteration, neglect, improper installation, or ordinary wear and tear.

Agri-Cover, Inc.'s sole obligation under this Limited Warranty is limited to the repair or replacement at its option, of defective parts only. No labor or service allowance is given or implied. IN NO EVENT SHALL AGRI-COVER, INC. BE LIABLE FOR INCIDENTAL, CONSEQUENTIAL, OR SPECIAL DAMAGES. AGRI-COVER, INC. EXPRESSLY DISCLAIMS ANY AND ALL IMPLIED WARRANTIES OF MERCHANTABILITY, AND THERE ARE NO WARRANTIES WHICH EXTEND BEYOND THE LIMITED WARRANTY DESCRIPTION CONTAINED HEREIN.

For warranty, have serial number ready and fill out the warranty claim form at agricover.com/warrantyclaim or call Customer Service Department at 888-568-3709 to determine if only a replacement part is needed or if the mud flaps needs to be returned for inspection and repair. Goods to be returned must have a pre-authorized RA # (Return Authorization Number) - obtained by calling the number above. Mark the number on the package and ship it freight prepaid to address below. Agri-Cover, Inc. will pay freight to return goods to sender.

This Limited Warranty gives you specific legal rights and you may have other rights, which vary, from state to state.

For replacement parts shop at mudflapparts.com or call Customer Service at 888-568-3709.



Agri-Cover, Inc.
Customer Service Dept
3000 Hwy 281 SE
Jamestown, ND 58401
Phone: 888-568-3709

Hours: 8:00 am - 5:00 pm CST Monday through Friday, except Holidays