

YEARS: 2016-PRESENT

MAKE: TOYOTA

MODEL: TACOMA

STYLE: PICKUP

WARNING: NEVER EXCEED YOUR VEHICLE MANUFACTURER'S RECOMMENDED TOWING CAPACITY
 For more information log onto www.curtmfg.com & for helpful towing tips log onto www.hitchinfo.com

WEIGHT CARRYING:
 TRAILER WEIGHT: 3,500 LBS.
 TONGUE WEIGHT: 350 LBS.

GROSS LOAD CAPACITY WHEN USED AS A STRAIGHT LINE PULL:
 9,000 LBS MAX.

PRO INSTALL TIME: 30 MIN.
NOVICE INSTALL TIME: 60 MIN.

IF YOU ARE HESITANT TO UNDERTAKE THIS TASK ON YOUR OWN, CONTACT AN AUTHORIZED CURT INSTALLER FOR ADDITIONAL ASSISTANCE.

INSTALLATION REQUIRES:

		10mm 17mm 3/4"
RATCHET	TORQUE WRENCH	SOCKET
MASKING TAPE	TAPE MEASURE	MARKER
AVIATION SHEARS	SAFETY GLASSES	

INSTALLATION TIPS:

- BEFORE YOU BEGIN INSTALLATION, READ ALL INSTRUCTIONS THOROUGHLY.
- TO EASE INSTALLATION, 2 PEOPLE MAY BE REQUIRED.
- USING PROPER TOOLS WILL GREATLY IMPROVE THE QUALITY OF THE INSTALL AND REDUCE THE TIME REQUIRED.
- NEED HELP OR HAVE SOME QUESTIONS? CALL TECHNICAL SUPPORT AT 877.287.8634

LEVEL OF DIFFICULTY: MODERATE

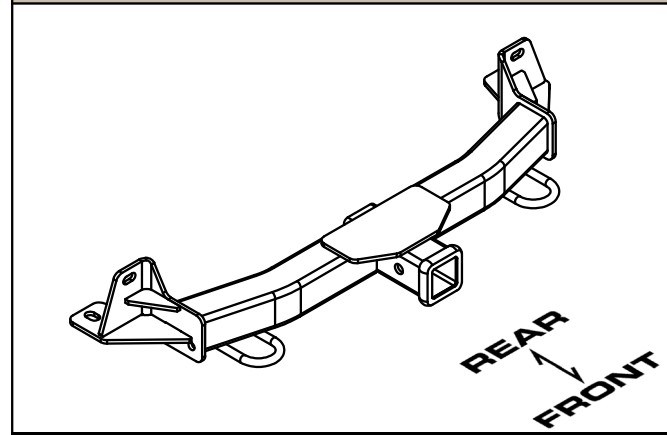
EASY	MODERATE	CHALLENGING
	REMOVE TOW LOOP REMOVE LOWER AIR DAM	
	FISHWIRE (2) FASTENERS	
	TRIM LOWER AIR DAM TO REINSTALL WITH HITCH	
	NO DRILLING REQUIRED	

VEHICLE PHOTO:



REPRESENTATIVE PHOTO

HITCH ILLUSTRATION:



MAKE SURE YOUR HITCH MATCHES

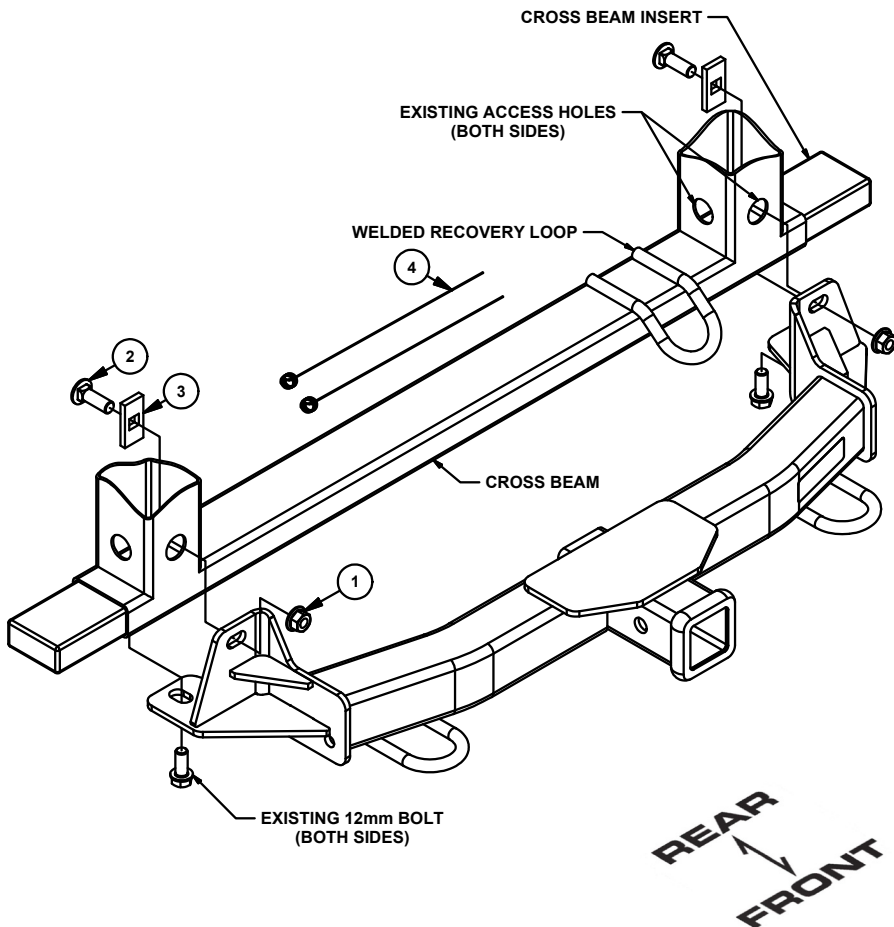
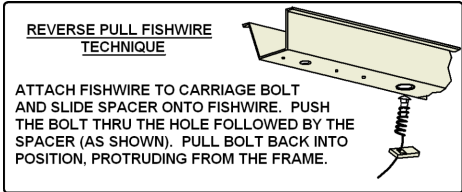


SCAN FOR MORE INFO

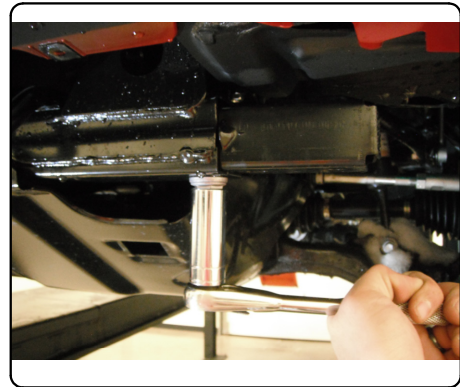
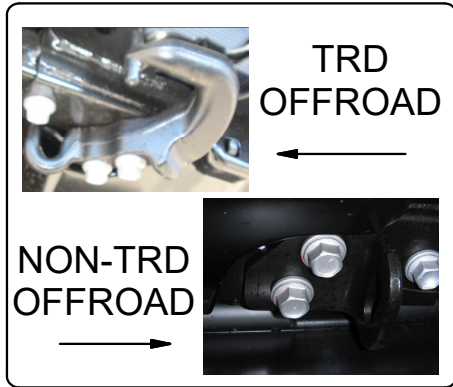
PERIODICALLY CHECK THIS RECEIVER HITCH TO ENSURE ALL FASTENERS ARE TIGHT AND ALL STRUCTURAL COMPONENTS ARE SOUND
 CURT Manufacturing LLC. warrants this product to be free of defects in material and/or workmanship at the time of retail purchase by the original purchaser. If the product is found to be defective, CURT Manufacturing LLC. may repair or replace the product at their option, when the product is returned, prepaid, with proof of purchase. Alteration to, misuse of, or improper installation of this product voids the warranty. CURT Manufacturing LLC.'s liability is limited to repair or replacement of products found to be defective, and specifically excludes liability for incidental or consequential loss or damage.
 For more information log onto www.curtmfg.com
 This product complies with safety specifications and requirements for connecting devices and towing systems of the state of New York, V.E.S.C.Regulation V-5 and SAE J684.

INSTALLATION WALKTHROUGH:

Parts List			
ITEM	QTY	PART NUMBER	DESCRIPTION
1	2	20-00062	NUT, SER-FLANGE, 1/2-13 UNC, GRD8, YZ
2	2	10-10287	BOLT, CAR, 1/2-13 UNC, 1-1/2, GRD8, YZ
3	2	CM-SP12	.250 x 1.00 x 2.00" SQUARE HOLE SPACER
4	2	1_2 FISHWIRE	1/2" FISHWIRE

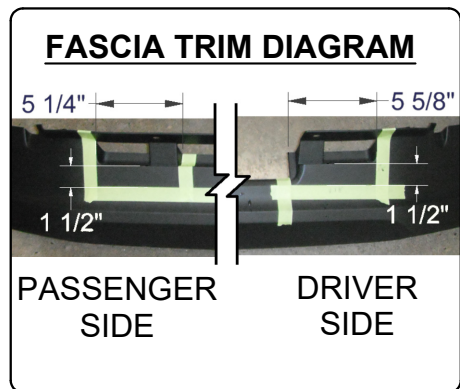
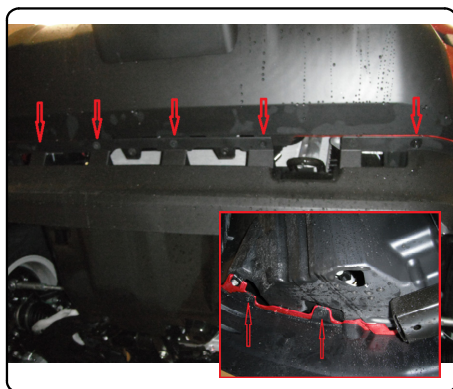


1. Remove tow loop from passenger side of the vehicle by removing (2) M12 bolts with a 17mm socket. Remove the (2) M12 bolts that attach the cross beam inserts in the cross beam and save for later use.



2. **Non-TRD Offroad models:** Remove (11) screws from the lower air dam using a 10mm socket and either return to owner or trim as shown in the diagram below.

NOTE: The skid shield on the TRD PRO model will need to be trimmed to allow clearance for the hitch.

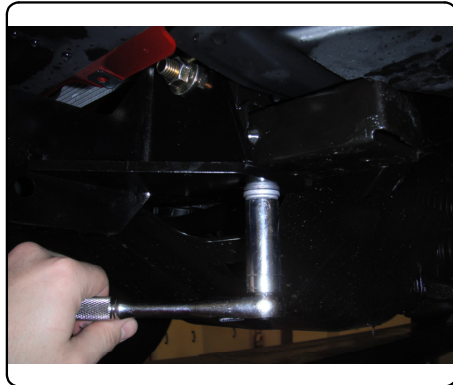


INSTALLATION WALKTHROUGH:

3. Fishwire the 1/2" bolts and CM-SP12 Spacers supplied into the forward hole above the cross beam. Raise hitch into position and loosely install 1/2" flange nuts and the 12mm bolts removed in step 1 for the cross beam inserts.



4. Torque all 12mm fasteners to 86 lb-ft and all 1/2" fasteners to 110 ft-lb.



31075

TOYOTA TACOMA

8/5/2020

GROSS LOAD CAPACITY WHEN USED AS A WEIGHT CARRYING HITCH: 3,500 LBS. TRAILER WEIGHT & 350 LBS. TONGUE WEIGHT.
GROSS LOAD CAPACITY WHEN USED AS A STRAIGHT LINE PULL: 9,000 LBS. MAX. LINE PULL.



WARNING: * DO NOT EXCEED VEHICLE MANUFACTURER'S RECOMMENDED TOWING CAPACITY. *****

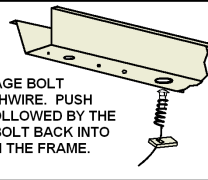
FOR MORE INFORMATION LOG ONTO WWW.CURTMFG.COM & FOR HELPFUL TOWING TIPS LOG ONTO WWW.HITCHINFO.COM
HAVING INSTALLATION QUESTIONS? CALL TECHNICAL SUPPORT AT 1-877-287-8634



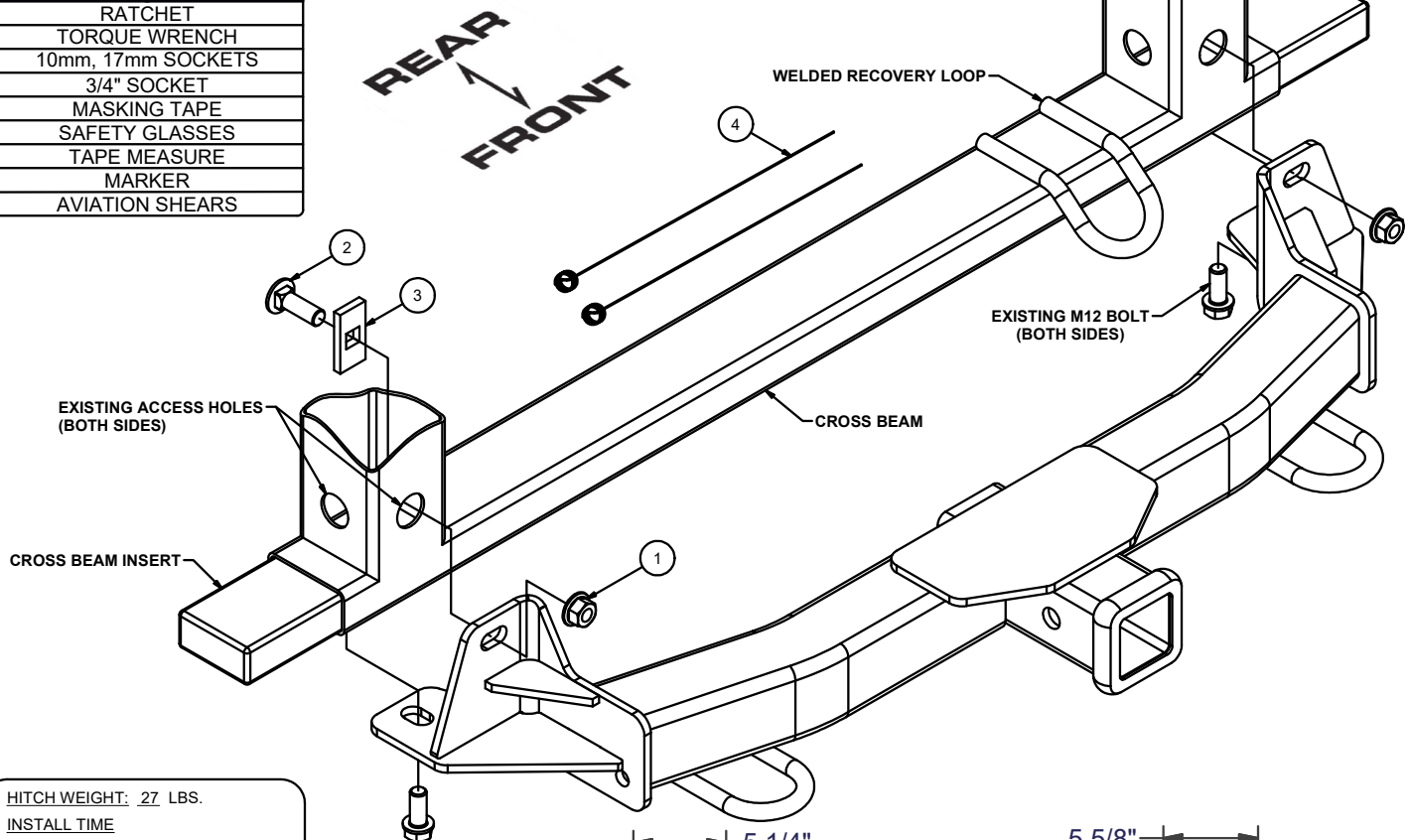
Parts List			
ITEM	QTY	PART NUMBER	DESCRIPTION
1	2	20-00062	NUT, SER-FLANGE, 1/2-13 UNC, GRD8, YZ
2	2	10-10287	BOLT, CAR, 1/2-13 UNC, 1-1/2, GRD8, YZ
3	2	CM-SP12	.250 x 1.00 x 2.00" SQUARE HOLE SPACER
4	2	1_2 FISHWIRE	1/2" FISHWIRE

REVERSE PULL FISHWIRE
TECHNIQUE

ATTACH FISHWIRE TO CARRIAGE BOLT AND SLIDE SPACER ONTO FISHWIRE. PUSH THE BOLT THRU THE HOLE FOLLOWED BY THE SPACER (AS SHOWN). PULL BOLT BACK INTO POSITION, PROTRUDING FROM THE FRAME.



TOOLS REQUIRED	
	RATCHET
	TORQUE WRENCH
	10mm, 17mm SOCKETS
	3/4" SOCKET
	MASKING TAPE
	SAFETY GLASSES
	TAPE MEASURE
	MARKER
	AVIATION SHEARS



HITCH WEIGHT: 27 LBS.

INSTALL TIME

PROFESSIONAL: 30 MINUTES

NOVICE (DIY): 60 MINUTES

INSTALL NOTES:

- TRIM / REMOVE AIR DAM
- NO DRILLING REQUIRED
- REVERSE FISHWIRE HARDWARE
- REMOVE TOW LOOP
- TRIM SKID SHIELD (TRD PRO)



INSTALLATION STEPS

1. Remove tow loop from passenger side of the vehicle by removing (2) M12 bolts with a 17mm socket. Remove the (2) 12mm bolts that attach the cross beam inserts in the cross beam and save for later use.

NOTE: The skid shield on the TRD PRO model will need to be trimmed to allow clearance for the hitch.

2. **Non-TRD Offroad models:** Remove (11) screws from the lower air dam using a 10mm socket and either return to owner or trim as shown in the diagram above.
3. Fishwire the 1/2" bolts and CM-SP12 Spacers supplied into the forward hole above the cross beam. Raise hitch into position and loosely install 1/2" flange nuts and the 12mm bolts removed in step 1 for the cross beam inserts.
4. Torque all M12 fasteners to 86 lb-ft and all 1/2" fasteners to 110 ft-lb.

PERIODICALLY CHECK THIS RECEIVER HITCH TO ENSURE THAT ALL FASTENERS ARE TIGHT AND THAT ALL STRUCTURAL COMPONENTS ARE SOUND.



Scan
for more
information

CURT Manufacturing LLC., warrants this product to be free of defects in material and/or workmanship at the time of retail purchase by the original purchaser. If the product is found to be defective, CURT Manufacturing LLC., may repair or replace the product, at their option, when the product is returned, prepaid, with proof of purchase. Alteration to, misuse of, or improper installation of this product voids the warranty. CURT Manufacturing LLC.'s liability is limited to repair or replacement of products found to be defective, and specifically excludes liability for incidental or consequential loss or damage.

This product complies with safety specifications and requirements for connecting devices and towing systems of the state of New York, V.E.S.C.Regulation V-5 and SAE J684.

TOYOTA TACOMA

*****DO NOT EXCEED VEHICLE MANUFACTURER'S RECOMMENDED TOWING CAPACITY***.**

FRONT MOUNTED ACCESSORIES

1) Do not exceed front axle Gross Weight Rating (GAWR). Consult owners manual or specification plate located on driver's door frame. Measure gross front axle weight by placing front wheels of loaded vehicle on a scale.

WARNING: Exceeding GAWR may overload the front axle and/or suspension. This could result in **accident, property damage and personal injury.**

- 2) Reposition front mounted license plate if obstructed.
- 3) Do not obstruct vehicle lights.
- 4) Allow free air flow into grille opening.
- 5) Rear wheel traction may be reduced. This could effect handling. Reduce speed and drive with caution.
- 6) Accessories extend front of vehicle. This may reduce approach angle. Use caution when parking and maneuvering.
- 7) Do not obstruct driver view.

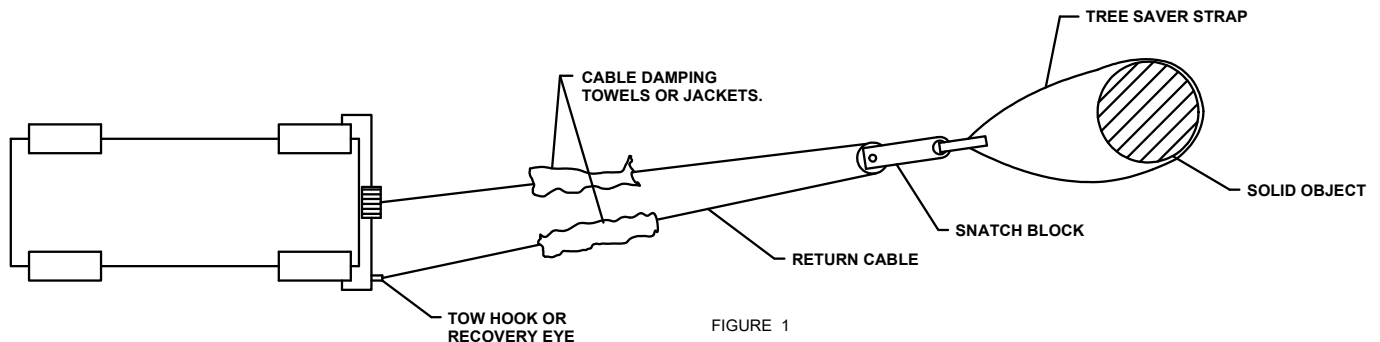
VEHICLE RECOVERY AND WINCHING TIPS

1) Use OEM tow hooks, recovery eyes or a clevis mount for attachment of a tow strap or winch cable.

WARNING: NEVER use a ball and/or ball mount as an anchor point for tow strap or winch cable. Severe personal injury or death could result.

- 2) Observe winch manufacturer's recommendations, cautions and warnings.
- 3) Attach return cable to tow hook or recovery eye when using a snatch block (See figure 1).

CAUTION: Do not attach return cable to winch mount. This may overload winch mount and/or front mounted receiver.



RATING

For **Maximum** line pull rating, winch cable must not exceed:
- 15 degree angle up or down from horizontal (See Figure 2).
- 45 degree angle left or right from straight ahead (See Figure 3).

CAUTION: Exceeding the maximum line pull rating may over load winch, winch mount, and/or front mounted receiver.

