

# ROCK TAMERS<sup>®</sup>

## MUDFLAP SYSTEM

---

### 00108/00110

## INSTRUCTION MANUAL

---



**Removable and Adjustable Mudflap System**



### **IMPORTANT!**

***Please Read*** this Instruction ***Booklet*** prior to ***assembly*** of your Rock Tamer Kit.

US PATENT 6,076,842

## IMPORTANT!

### Exhaust Systems

Note: Any modifications to the factory installed exhaust system may void your manufacturer's warranty.

### Car Washes

You must remove mudflap system before entering any drive-through car wash.

### CAUTION

Consumer assumes all risks associated with product performance after installation. Rock Tamers™ will not protect everything and everyone from harm. Results may vary depending upon road surface and conditions, vehicle types, weather conditions, installation, and driving input. Please apply common sense to your expectations relating to product performance.

This product and its packaging contain chemicals known to the state of CA to cause cancer, birth defects or other reproductive harm.

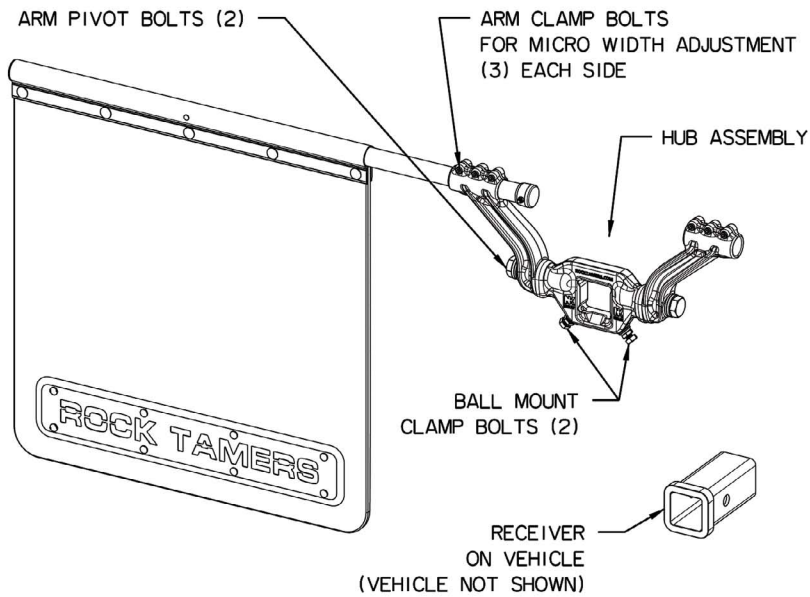
### **Bolt Torque Conversion Table**

Inch-Pounds (in-lbs)	Foot-Pounds (ft-lbs)	Newton-Meters (N-m)	Kilogram-Centimeters (kgf-cm)
20	1.7	2.3	23
30	2.5	3.4	34
70	5.87	7.9	79
80	6.7	9.0	90
180	15	20	203
1500	125	169	1690

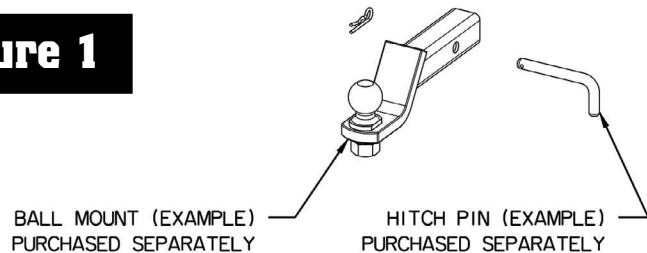
### **Parts List for 00108/00110**

Part No.	Qty.	U/M	Description
RT034	1	EA	Center Hub / Matte Black Finish*
RT035	2	EA	M10 Ball Mount Clamp Bolt*
RT036	2	EA	M10 Jam Nut*
RT037	2	EA	M10 Split Washer*
RT038	2	EA	M10 Flat Washer *
RT039	1	EA	Hub Arm R (Right) / Matte Black Finish*
RT040	1	EA	Hub Arm L (Left) / Matte Black Finish*
RT041	6	EA	M6 Arm Clamp Bolt*
RT032	6	EA	M6 Nylon Insert Hex Nut*
RT042	2	EA	M18 Arm Pivot Bolt*
RT043	2	EA	M18 Split Washer*
RT044	2	EA	M18 Flat Washer*
RT027	1	EA	5mm Allen Wrench - Solid (Black)
RT045	2	EA	Flap Support Rod (Stainless Sleeved )
RT046	2	EA	Rod End Cap
RT017	2	EA	Flap End Cap
RT018	2	EA	M5 Flap Retainer Bolt (Round Head)
RT047	2	EA	M5 End Cap Bolt (Hex Head)
RT019	4	EA	M5 Nylon Insert Hex Nut
RT048	2	EA	Flap Clamp / Matte Black Finish
RT022	2	EA	Mudflap (SS Trim Plate)
RT023	10	EA	M8 Flap Clamp Bolt
RT024	10	EA	M8 Flat Washer
RT025	10	EA	M8 Nylon Insert Hex Nut
RT026	1	EA	Bolt Hole Punch (Black)
RT028	2	EA	Rock Tamers Trim Plate
RT049	16	EA	M6 Trim Plate Bolt (STAR PIN™)
RT030	16	EA	M6 Trim Plate Spacer
RT031	16	EA	M6 Flat Washer
RT032	16	EA	M6 Nylon Insert Hex Nut
RT050	1	EA	Locking STAR PIN™ Wrench (Black)
RT057	1	EA	2.5" Center Hub/Matte Black Finish.* (Only if 00110 is purchased.)
IM002	1	EA	00108/00110 Instruction Manual

\* HUB ASSEMBLY - FACTORY ASSEMBLED

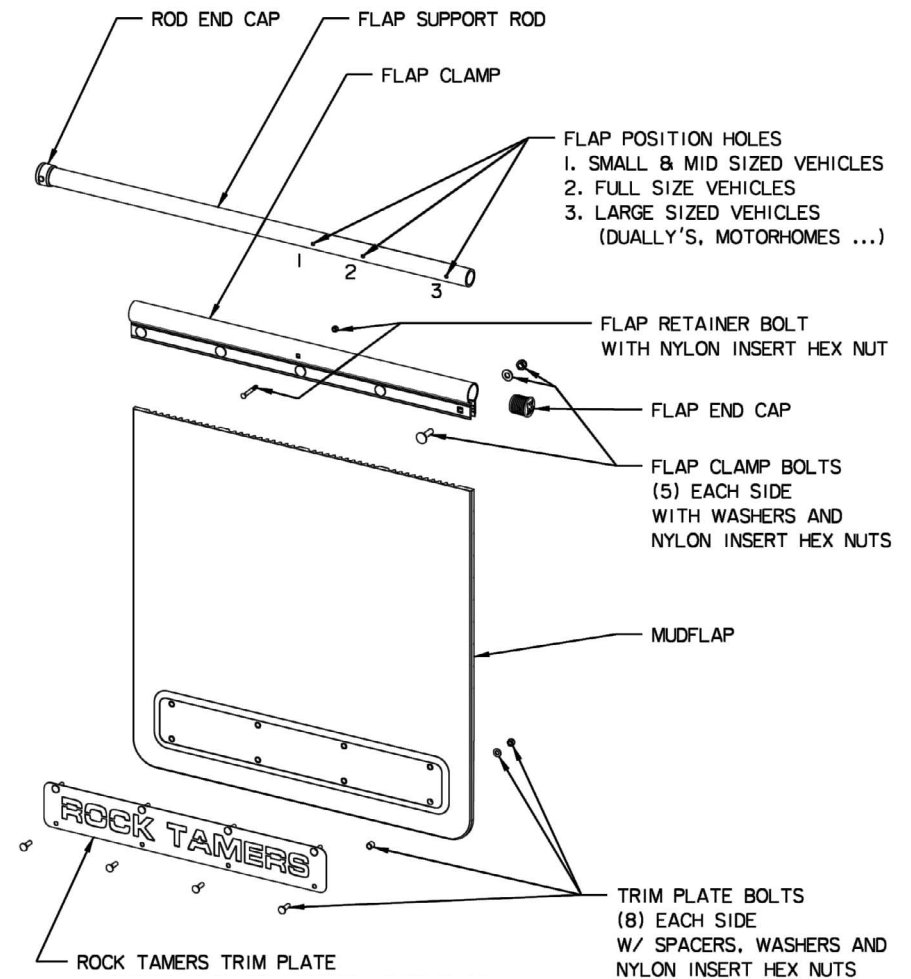


**Figure 1**



**Assembly Hints**

- Refer to **Figure 1** for component names and general definitions. Names in ALL CAPITALS refer to parts named in the illustrations.
- It may be easier to assemble the system while attached to a BALL MOUNT on the vehicle. However, it may also be assembled on a floor or workbench.
- **The MUDFLAP length may require cutting to fit your specific vehicle. Be sure of the required length by measuring with full tongue weight attached.**



**Tools Required**

- Wrench or socket sizes:
  - 8mm, 10mm, 13mm, 17mm, & 27mm (or a wrench adjustable up to 1 1/8" or 27mm)
  - Locking STAR PIN™ wrench included
  - 5mm locking Allen wrench included
- Utility knife
- Tape measure or yardstick.
- Straight edge for cutting guide at least 24" or 61 cm long
- Hammer or mallet

## Assembly Instructions

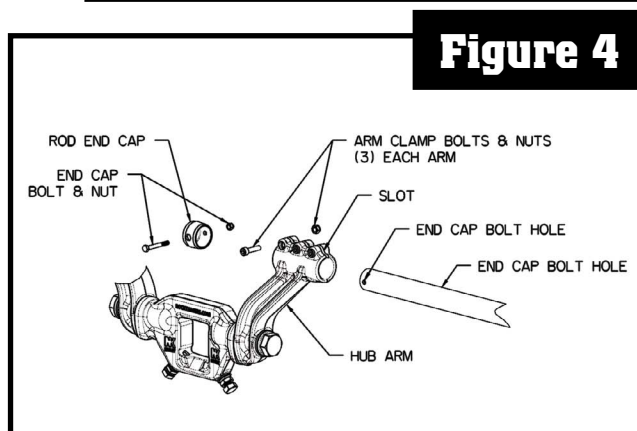
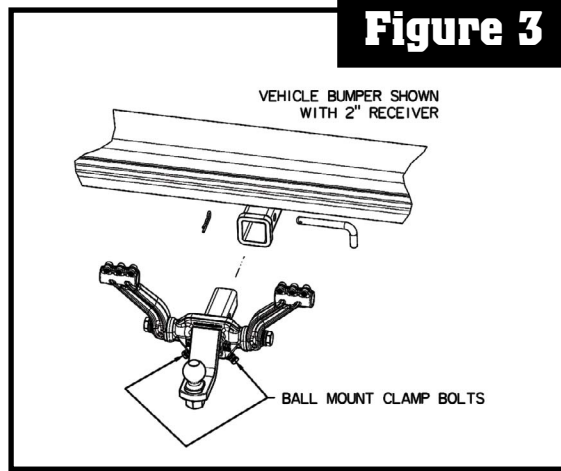
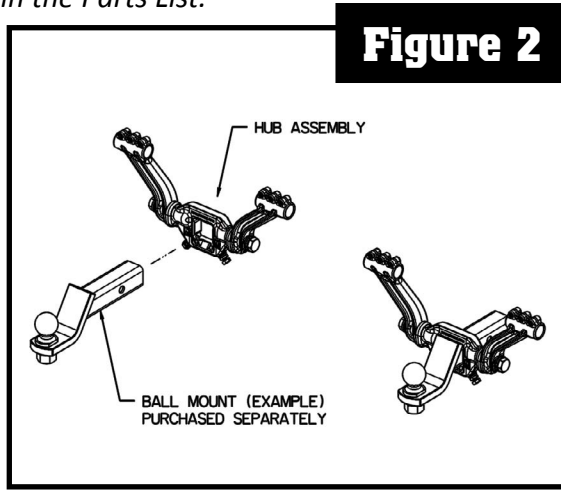
Account for all parts listed in the Parts List.

1. Slide HUB ASSEMBLY onto BALL MOUNT and insert into vehicle RECEIVER HITCH. **See Figures 2 & 3.**

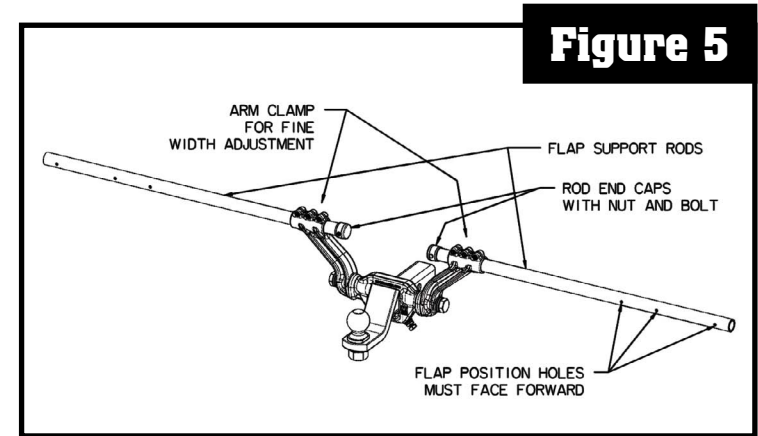
2. Secure the BALL MOUNT with HITCH PIN. Adjust HUB ASSEMBLY to desired position.

3. Tighten the two M10 BALL MOUNT CLAMP BOLTS to hold CENTER HUB in place. (For assembly only) **See Figure 3.**

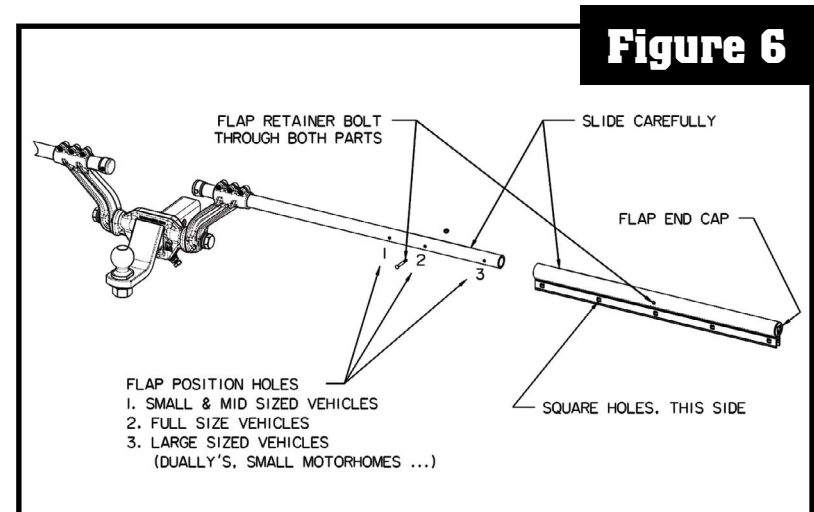
4. Loosen or Remove all three M6 ARM CLAMP BOLTS from each HUB ARM. Carefully insert the two FLAP SUPPORT RODS thru HUB ARMS. Place ROD END CAP over the end of rods, hex side facing away from vehicle, insert END CAP BOLT thru END CAP BOLT HOLE, tighten securely with M5 NYLON INSERT HEX NUT. **See Figure 4.**



5. Re-install M6 ARM CLAMP BOLTS and M6 NYLON INSERT HEX NUTS back into HUB ARMS after the SUPPORT ROD is inserted. (*Do not tighten yet.*)
6. Position the left and right FLAP SUPPORT RODS so the width adjustment holes face forward horizontally. **Figure 5.**

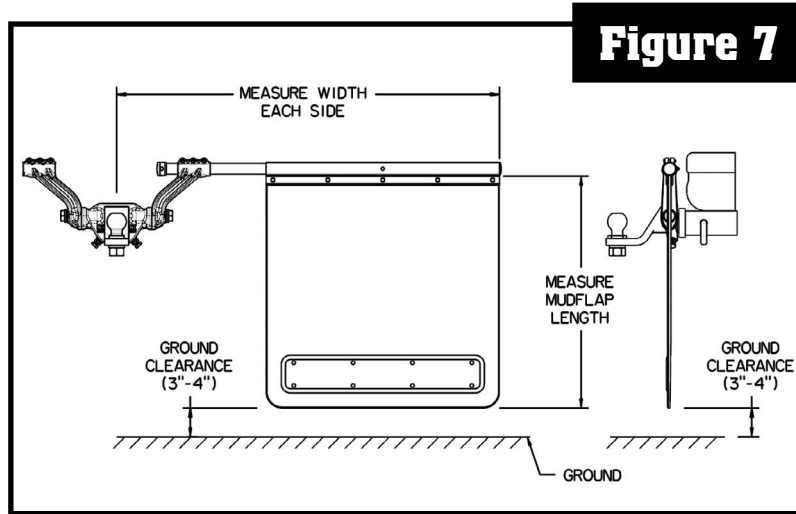


7. Slide FLAP CLAMPS over the FLAP SUPPORT RODS with square holes facing away from vehicle. Do not secure with FLAP RETAINER BOLTS yet. (*See Figure 6 for orientation of flap retainer bolt hole and flap support rod positioning holes.*) (*Note: MUDFLAP not yet attached.*) **Figure 6.**



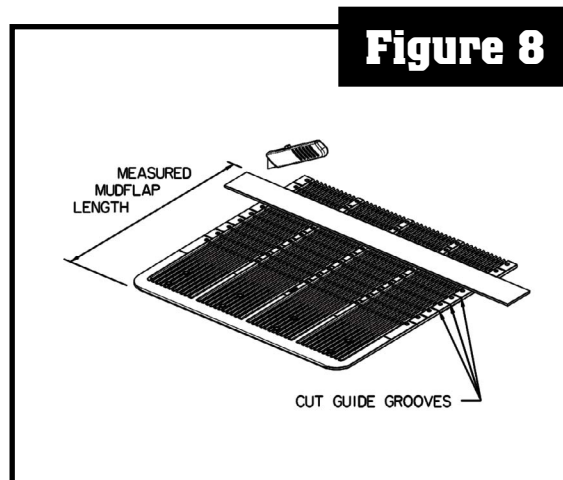
**IMPORTANT: This next step is critical in ensuring that the MUDFLAP SYSTEM is properly installed. All measurements should be made while tow vehicle has full tongue weight.**

8. Make sure SUPPORT RODS are level on both sides and measure the distance from the bottom of FLAP SUPPORT ROD to the ground. Subtract the desired ground clearance (3" - 4" recommended or 75 mm - 100 mm). **Figure 7.**



9. Lay MUDFLAP down with grooved side up on flat surface. Measure desired MUDFLAP length from the bottom up. Find the nearest pre-molded CUT LINE GROOVE and mark. **Figure 8.**

**IMPORTANT: Before cutting and drilling/punching holes, make sure to place either a scrap piece of wood or thick cardboard underneath MUDFLAP to avoid any surface damage.**

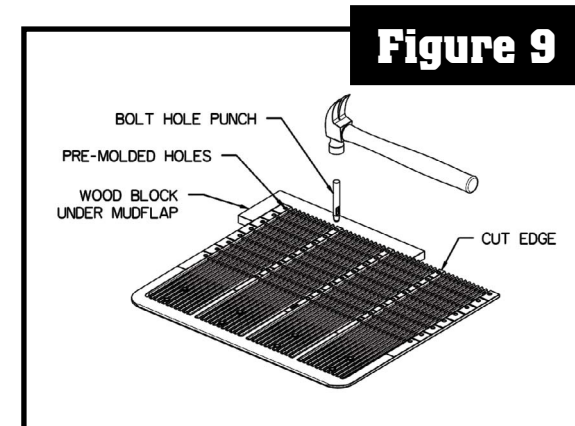


10. Use a sharp utility knife to cut through MUDFLAP using the groove and a straight edge as a guide. This may take several passes to completely cut through MUDFLAP. **See Figure 8.**

Repeat procedure for 2nd MUDFLAP.

**IMPORTANT: Place a scrap piece of wood under the MUD FLAPS when punching or drilling holes, as the punch will dull and may damage the surface underneath.**

11. Punch the top row of pre-molded holes in the MUDFLAP using the included BOLT HOLE PUNCH. **Figure 9.**



- Assemble cut end of MUDFLAP into FLAP CLAMP by either sliding or pushing it down onto top of MUDFLAP with the square holes on the smooth side.

**Note:** *Should it be difficult to slide MUDFLAP into FLAP CLAMP, moisten the cut end of MUDFLAP surface before inserting.*

Insert the five M8 FLAP CLAMP BOLTS through the square holes. Loosely attach the M8 FLAT WASHER and M8 NYLON INSERT HEX NUT to the back as shown. (Do not tighten yet.) **Figure 10.**

Repeat for 2nd MUDFLAP.

- Slide the FLAP CLAMP with attached MUDFLAP over the FLAP SUPPORT ROD with the NYLON INSERT HEX NUTS facing your vehicle.

Position the MUDFLAPS and FLAP SUPPORT RODS (left and right) as desired for your vehicle. Line up small hole in FLAP CLAMP with one of the three flap adjustment holes in SUPPORT ROD depending on vehicle size.

- Inner Hole - for small and mid-sized vehicles
- Center Hole - for full-size vehicles
- Outer Hole - for large vehicles, such as dually trucks and small motor homes

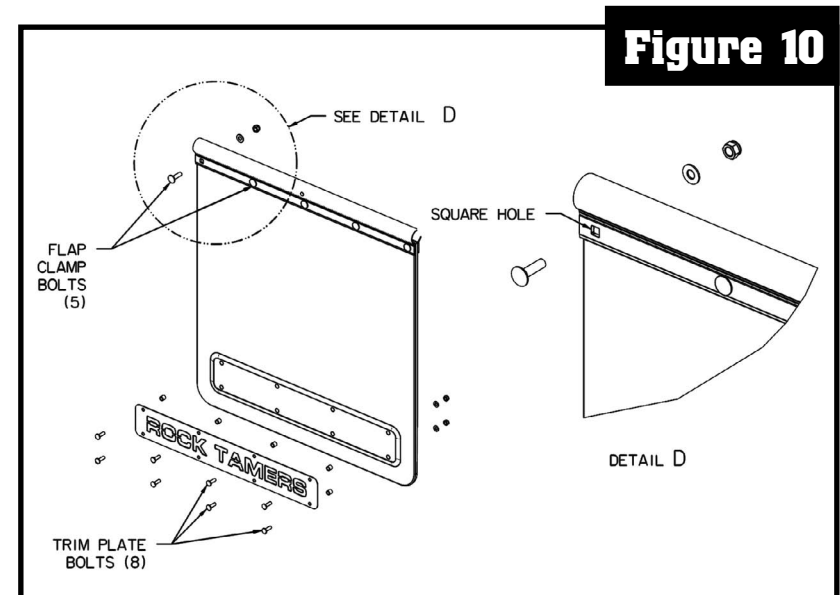
Finally, insert the small M5 FLAP RETAINER BOLT through FLAP CLAMP and SUPPORT ROD and attach the M5 NYLON INSERT HEX NUT. **Figures 1 & 6.**

Repeat for 2nd MUDFLAP.

- Assemble TRIM PLATES. Insert M6 TRIM PLATE SPACERS into holes in raised bottom portion of MUDFLAP. Attach the ROCK TAMERS TRIM PLATE with the eight M6 TRIM PLATE BOLTS (Locking STAR PIN™ [STAR PIN™ wrench included]), M6 FLAT WASHERS, and M6 NYLON INSERT HEX NUTS as shown in **Figure 10.** (20 in-lbs torque [10 mm socket or wrench]).

Repeat for 2nd MUDFLAP.

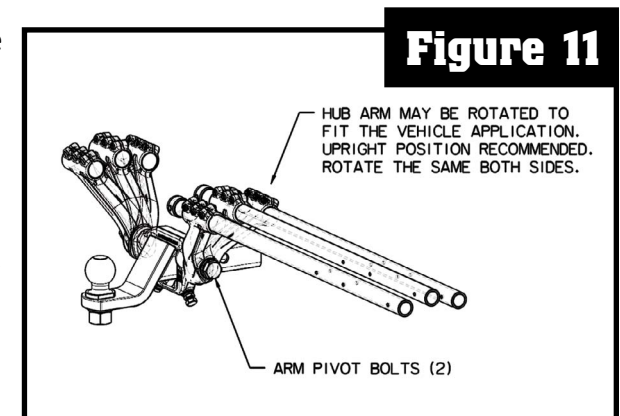
**Note:** *DO NOT over tighten, as it will damage the TRIM PLATE.*



**Figure 10**

- The ARMS of the HUB ASSEMBLY may be loosened and rotated to fit your vehicle application. The FLAP SUPPORT RODS must also be rotated slightly so the MUDFLAPS hang vertical.

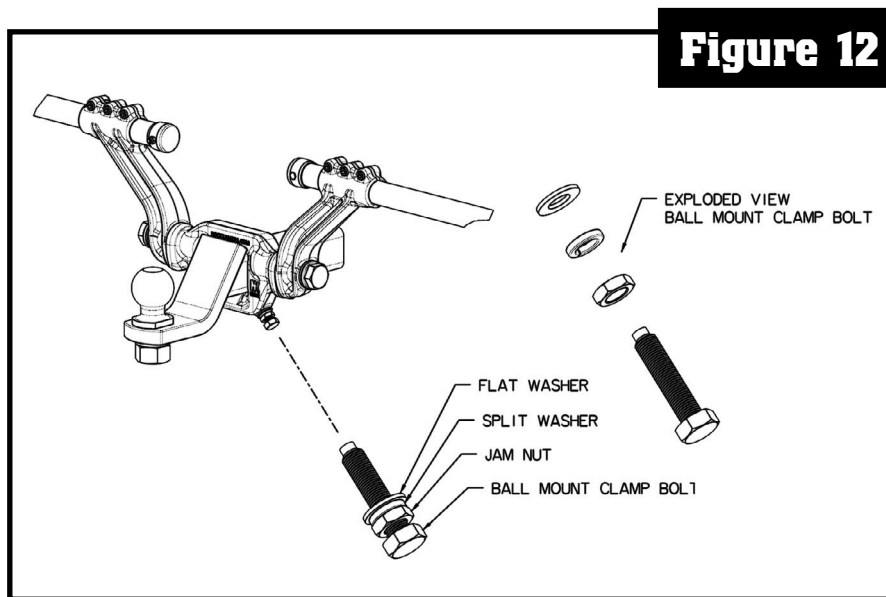
**Figure 11.**



**Figure 11**

16. Finalize all positioning and adjustments. For all conversions see Torque conversion table on page 1.
17. Make sure the M10 SPLIT WASHERS and M10 JAM NUTS remain loose on the M10 BALL MOUNT CLAMP BOLTS and finish tightening the M10 CLAMP BOLTS evenly onto BALL MOUNT. (120-180 in-lbs torque [17 mm socket or wrench]).

Once the M10 BALL MOUNT CLAMP BOLTS are tight, tighten the M10 WASHERS AND JAM NUTS securely. **Figure 12.**



**Figure 12**

18. Tighten the large CENTER HUB M18 ARM PIVOT BOLTS. (1500 in-lbs torque [27mm socket or wrench]). **Figure 1.**

**Note: Make sure the ARM PIVOT BOLTS and SUPPORT RODS have sufficient clearance away from the bumper so that they do not rub up against it.**

19. Finalize width adjustment of FLAP SUPPORT RODS by sliding them in or out of the HUB ARMS. **Figure 5.**

**Notes: It is recommended that final MUDFLAP position extends a minimum of 2" from outer edge of tire.**

**IMPORTANT: Evenly tighten the three M6 ARM CLAMP BOLTS beginning with the center bolt and moving from one to another on each side until all are tight. The SLOT will NOT close. (70-80 in-lbs torque [5mm ALLEN WRENCH]).**

20. Tighten the five M8 FLAP CLAMP BOLTS on each of the FLAP CLAMPS. **Figure 10.** (30 in-lbs torque [13mm socket or wrench])

**IMPORTANT: SUPPORT RODS MUST NOT BE ABLE TO ROTATE or MOVE IN HUB ARMS or FLAP CLAMPS.**

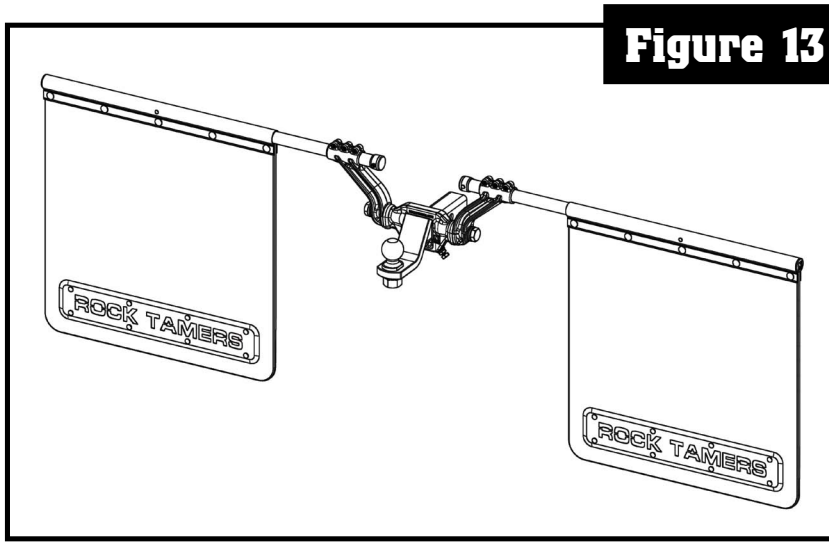
21. Tighten the M5 FLAP RETAINER BOLTS on each side. **Figure 6**

**IMPORTANT: FLAP RETAINER BOLTS are not intended to hold FLAP CLAMP on FLAP SUPPORT ROD. The RETAINER BOLTS must be used for proper positioning and safety.**

22. Complete the assembly by inserting the FLAP END CAPS into the FLAP CLAMPS. **Figure 1.**

23. The ROCK TAMERS Mudflap System is now ready to use. As a final safety procedure, check bolts to see that they are tight and properly assembled. For optimum service and life, check components and the torque on all bolts prior to each use.

**Figure 13.**



**Figure 13**

- > **FORGED ALUMINUM HUB & ARMS**
- > **STAINLESS SLEEVED STEEL RODS**
- > **UV PROTECTED MATTE BLACK FINISH**
- > **STAINLESS, CHROME AND ZINC PLATED HARDWARE**



## LIMITED WARRANTY

Rock Tamers LLC warrants this product to be free of defects in material and workmanship under normal use and service for the period of one (1) year from the original consumer date of purchase. Rock Tamers LLC limits its obligation to repairing or replacing any part that proves defective in material or workmanship. A valid Return Goods Authorization (or RGA number) must be obtained from Rock Tamers LLC. Without this authorization number, no returns will be accepted and no credit can be issued. Any freight collect shipments will be refused. Rock Tamers LLC will pay return ground transportation charges only if the product is covered under this warranty. All returns must be shipped with TRANSPORTATION CHARGES PREPAID, to the address below, with a valid RGA number written clearly on the outside of the box:

Rock Tamers LLC 19475 Beacon Lite Road Monument, CO 80132 USA  
Attn: Returns

This warranty does not extend to any product or part that is not installed and used in accordance with Rock Tamers LLC printed instructions, all applicable state and local regulations, and all applicable national standards and regulations, if any should apply. This warranty does not extend to any product or part that has been damaged by accident, misuse, abuse, or neglect, nor does it extend to any product or part that has been modified, altered, or repaired by the consumer. Except as expressly set forth above, and subject to, the limitation of liability below, Rock Tamers LLC makes NO OTHER WARRANTY, EXPRESS OR IMPLIED, INCLUDING, BUT NOT LIMITED TO, THE IMPLIED WARRANTIES OF MERCHANTABILITY AND FITNESS FOR A PARTICULAR PURPOSE, with respect to its products and parts, whether used alone or in combination with others. Rock Tamers LLC disclaims all warranties not stated herein.

## LIMITATION OF LIABILITY

Rock Tamers LLC total liability for any and all losses and damages arising out of any cause whatsoever shall in no event exceed the purchase price of the products or parts in respect of which such cause arises, whether such cause be based on theories of contract, negligence, strict liability, tort or otherwise. Rock Tamers LLC shall not be liable for incidental, consequential or punitive damages or other losses. Rock Tamers LLC shall not be liable for, and consumer assumes liability for, all personal injury and property damage connected with the handling, transportation, possession, installation, other use or resale of the product, whether used alone or in combination with any other product or material. If Rock Tamers LLC furnishes technical advice to consumer, whether or not at consumer's request, with respect to installation, application, or use of the product and/or its related parts, Rock Tamers LLC shall not be liable for such technical advice and buyer assumes all risks of such advice and the results thereof. NOTE: Some states do not allow the limitation or exclusion of incidental or consequential damages, so the above limitations or exclusions, wholly or partially, may not apply. The portions of this limited warranty and limitation of liability shall be considered severable and all portions that are not disallowed by applicable law shall remain in full force and effect.

## NOTICE TO CONSUMERS

All Rock Tamers LLC products are mechanical devices that will eventually show signs of wear, damage, corrosion, and aging of components made of materials such as rubber, etc. The environment and conditions of use will determine the safe service life of these products. Periodic inspection and maintenance are essential to retaining maximum efficiency of the product's shielding properties. Because of a policy of continuous product improvement, Rock Tamers LLC reserves the right to change designs, materials, or specifications without notice.





Rock Tamers LLC  
19475 Beacon Lite Road, Monument, CO 80132  
USA: 1-800-545-1894

For related accessories go to:

**[www.rocktamers.com](http://www.rocktamers.com)**

*Follow us on:*



**WARNING:** This product and its packaging contain chemicals known to the State of CA to cause cancer, birth defects or other reproductive harm.

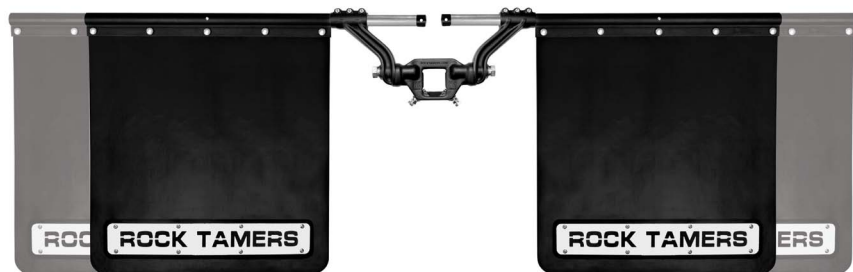


---

## 00108/00110

# GUIDE D'INSTRUCTIONS

---



**Systeme de bavettes garde-boue réglables et amovibles**



### **IMPORTANT !**

Veuillez lire ce manuel d'instructions avant de procéder à l'assemblage du prêt-à-monter Rock Tamer.

BREVET AMÉRICAIN 6 076 842

### **IMPORTANT !**

#### **Systemes d'échappement**

Remarque : Toute modification du système d'échappement installé en usine peut entraîner l'annulation de la garantie du fabricant.

#### **Lave-autos**

Retirez le système de bavettes garde-boue avant d'entrer dans un lave-auto automatique.

#### **ATTENTION**

Le consommateur porte la responsabilité des risques associés à la performance de cet article après son installation. Le système Rock Tamers™ ne protège pas tout ni tout le monde des blessures. Les résultats peuvent varier en fonction de la surface et des conditions de route, du type de véhicule, des conditions climatiques, de l'installation et de la conduite. Veuillez faire preuve de bon sens quant à vos attentes liées à la performance de l'article.

Cet article et son emballage contiennent des produits chimiques qui sont reconnus par l'État de Californie comme cancérogènes et à l'origine d'anomalies congénitales.

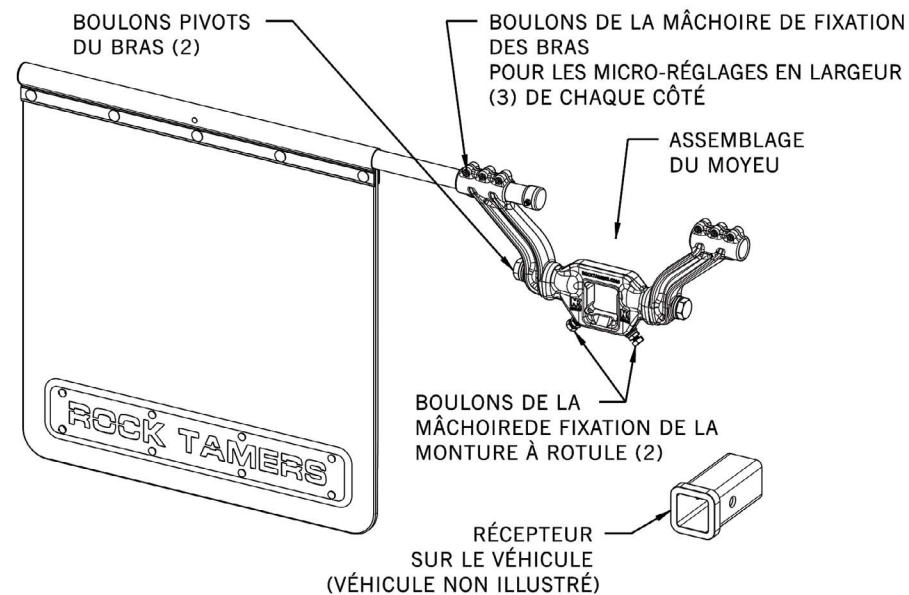
#### **Tableau de conversion du couple des boulons**

Pouces-Livres (po-lb)	Pieds-Livres (pi-lb)	Newton-Mètres (N-m)	Kilogramme-Centimètres (kgf-cm)
20	1,7	2,3	23
30	2,5	3,4	34
70	5,87	7,9	79
80	6,7	9,0	90
180	15	20	203
1500	125	169	1690

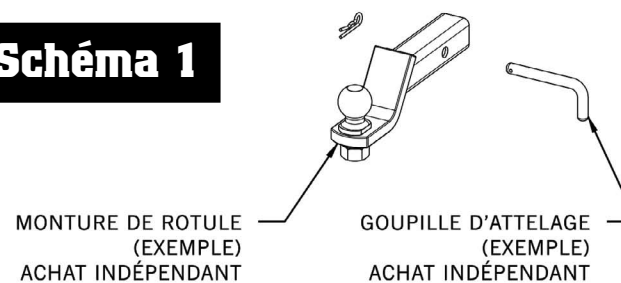
## Nomenclature des pièces de 00108/00110

N° de pièce	Qté	U/M	Description
RT034	1	CHACUN	Moyeu central / Finition noire mate*
RT035	2	CHACUN	Boulon de la mâchoire de fixation de la monture à rotule M10*
RT036	2	DE CHAQUE	Contre écrou*M10
RT037	2	DE CHAQUE	Rondelle fendue M10*
RT038	2	DE CHAQUE	Rondelle plate M10*
RT039	1	DE CHAQUE	Bras du moyeu (droit) / Finition noire mate*
RT040	1	DE CHAQUE	Bras du moyeu (gauche) / Finition noire mate*
RT041	6	DE CHAQUE	Boulon de la mâchoire de fixation du bras M6*
RT032	6	DE CHAQUE	Écrou hexagonal d'insertion en nylon M6 *
RT042	2	DE CHAQUE	Boulon de pivot du bras M18 *
RT043	2	DE CHAQUE	Rondelle fendue M18 *
RT044	2	DE CHAQUE	Rondelle plate M18 *
RT027	1	DE CHAQUE	Clé hexagonale 5 mm - Unie (noire)
RT045	2	DE CHAQUE	Tige de maintien des bavettes (chemisée et inoxydable)
RT046	2	DE CHAQUE	Embout de tige
RT017	2	DE CHAQUE	Embout de bavette
RT018	2	DE CHAQUE	Boulon de retenue des bavettes (tête ronde) M5
RT047	2	DE CHAQUE	Boulon d'embout (tête hexagonale) M5
RT019	4	DE CHAQUE	Écrou hexagonal d'insertion en nylon M5
RT048	2	DE CHAQUE	Serre-patte / Finition noire matte
RT022	2	DE CHAQUE	Bavette garde-boue (plaque de garniture SS)
RT023	10	DE CHAQUE	Boulon du serre-patte M8
RT024	10	DE CHAQUE	Rondelle plate M8
RT025	10	DE CHAQUE	Écrou hexagonal d'insertion en nylon M8
RT026	1	DE CHAQUE	Emporte-pièce à boulon (noir)
RT028	2	DE CHAQUE	Plaque de garniture du système Rock Tamers
RT049	16	DE CHAQUE	Boulon de la plaque de garniture (STAR PIN™) M6
RT030	16	DE CHAQUE	Entretoise de la plaque de garniture M6
RT031	16	DE CHAQUE	Rondelle plate M6
RT032	16	DE CHAQUE	Écrou hexagonal d'insertion en nylon M6
RT050	1	DE CHAQUE	Clé de verrouillage STAR PIN™ (noire)
RT057	1	DE CHAQUE	Moyeu central 6,35 cm / Finition noire mate.* (uniquement en cas d'achat du 00110).
IM002	1	DE CHAQUE	Guide d'instruction 00108/00110

\* ASSEMBLAGE DU MOYEU - ASSEMBLÉ EN USINE

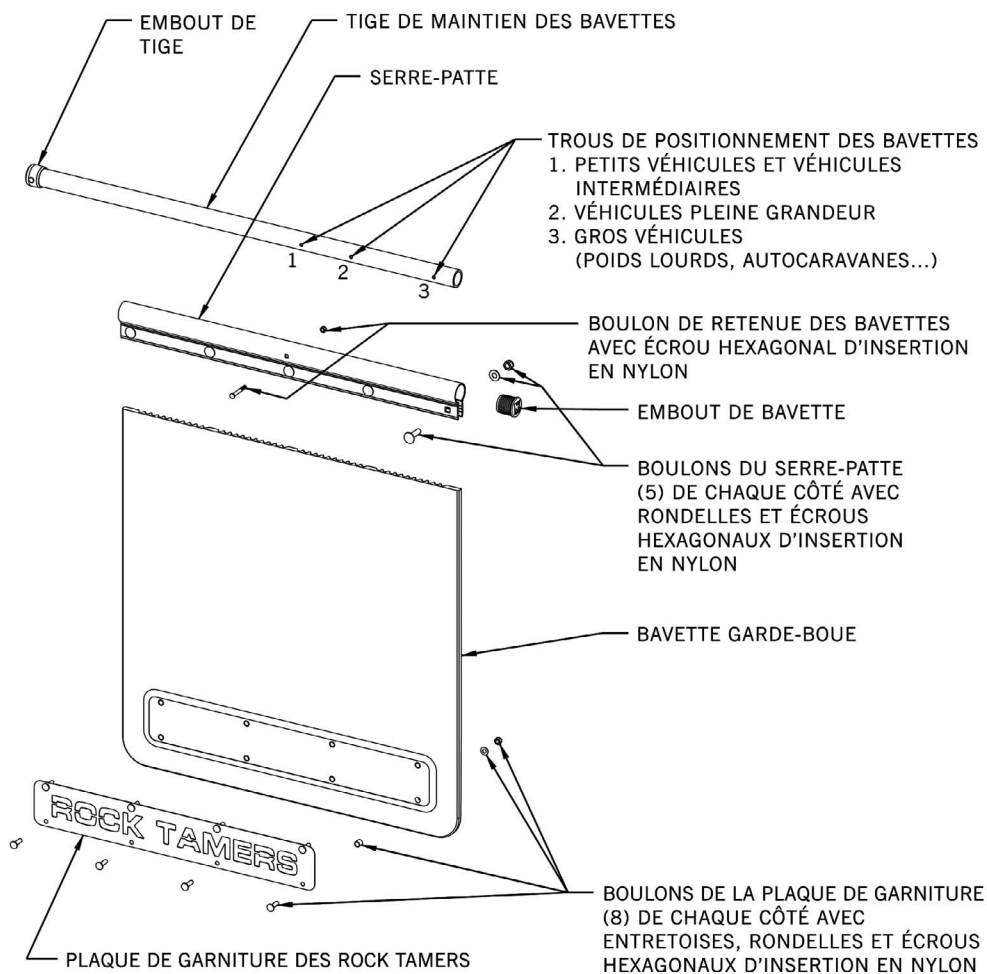


### Schéma 1



### Conseils d'assemblage

- Se référer au Schéma 1 pour le nom des composants et les définitions générales. Les noms indiqués **ENTIÈREMENT EN MAJUSCULES** font référence à des pièces nommées dans les illustrations.
- Il peut s'avérer plus facile d'assembler le système lorsqu'il est fixé à une MONTURE DE ROTULE sur le véhicule. Cependant, le système peut également être assemblé au sol ou sur une paillasse.
- **Il est possible qu'il faille ajuster la longueur des BAVETTES GARDE-BOUE en fonction des spécificités de votre véhicule. Assurez-vous de la longueur requise en mesurant lorsque le poids total de la languette est fixé.**



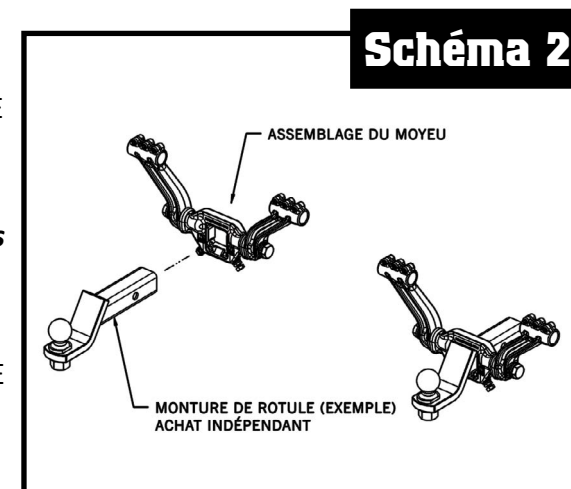
### Outils requis

- Dimensions des clés ou des douilles :
  - 8 mm, 10 mm, 13 mm, 17 mm et 27 mm (ou une clé réglable jusqu'à 1 1/8 po (27 mm))
  - Clé de verrouillage STAR PIN™ comprise
  - Clé hexagonale de verrouillage de 5 mm comprise
- Couteau tout usage
- Ruban à mesurer ou mètre
- Règle de précision en tant que guide de coupe, d'au moins 24 po (61 cm) de long
- Marteau ou maillet

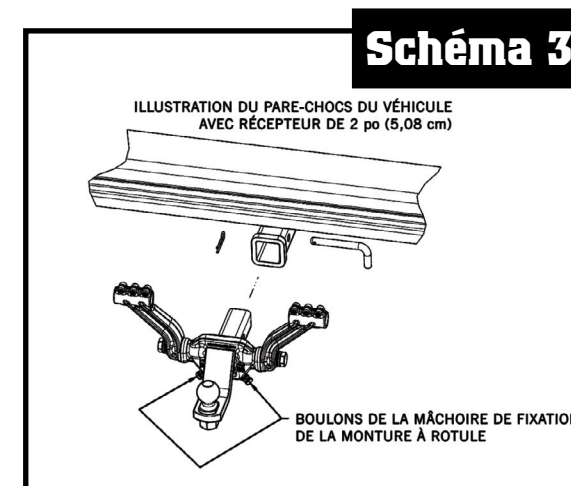
### Consignes d'assemblage

Vérifier l'intégralité des pièces énumérées dans la Nomenclature des pièces.

- Faire glisser l'ASSEMBLAGE DU MOYEU sur la MONTURE DE ROTULE et insérer dans la BARRE D'ATTELAGE du véhicule.  
**Consulter les Schémas 2 et 3.**
- Fixer solidement la MONTURE DE ROTULE avec la GOUPILLE D'ATTELAGE. Régler l'ASSEMBLAGE DU MOYEU sur la position souhaitée.



- Serrer les deux BOULONS DE LA MÂCHOIRE DE FIXATION DE LA MONTURE À ROTULE de manière à maintenir le MOYEU CENTRAL en place. (Assemblage uniquement)  
**Consulter le Schéma 3.**

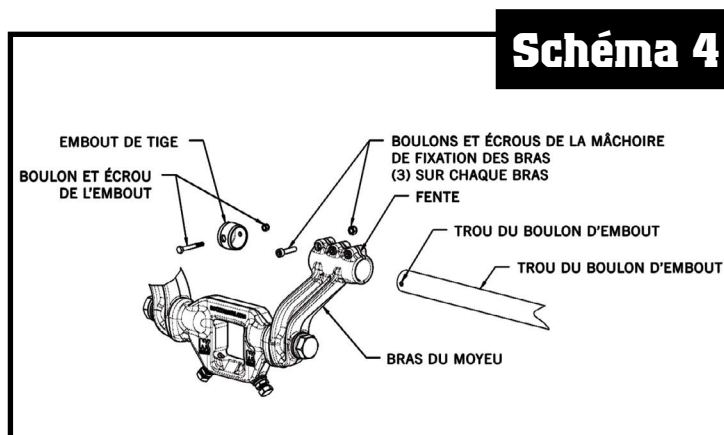


4. Desserrer ou retirer l'ensemble des trois BOULONS DE LA MÂCHOIRE DE FIXATION DES BRAS M6 de chaque BRAS DU MOYEU.

Insérer avec précaution les deux TIGES DE MAINTIEN DES BAVETTES par LES BRAS DU MOYEU.

Placer l'EMBOUT DE TIGE sur l'extrémité des tiges, le côté hexagonal dirigé à l'opposé du véhicule, insérer le BOULON D'EMBOUT par le TROU DU BOULON D'EMBOUT, fixer solidement avec l'ÉCROU HEXAGONAL D'INSERTION EN NYLON M5.

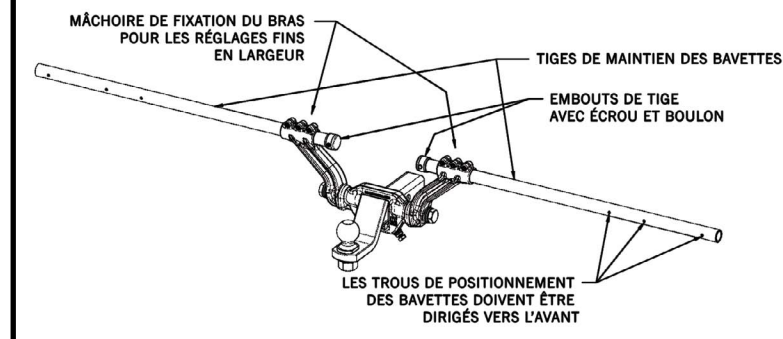
**Consulter le Schéma 4.**



5. Réinstaller les BOULONS DE LA MÂCHOIRE DE FIXATION DES BRAS M6 et LES ÉCROUS HEXAGONAUX D'INSERTION EN NYLON M6 dans les bras du moyeu après avoir inséré la TIGE DE MAINTIEN. (Ne pas visser à ce stade).

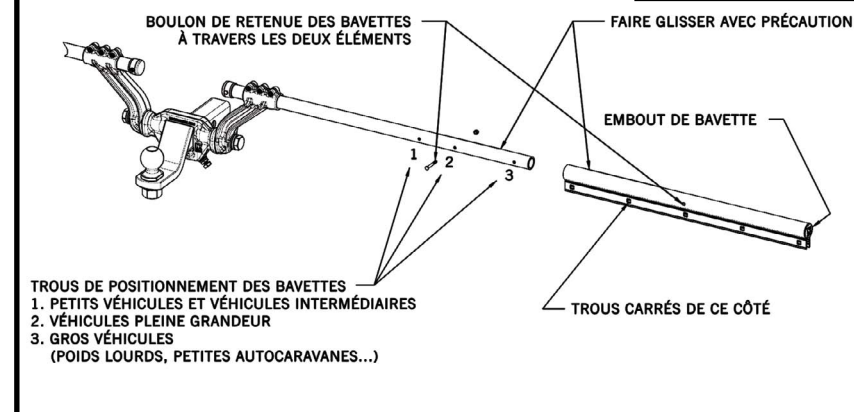
6. Positionner les TIGES DE MAINTIEN DES BAVETTES gauche et droite de sorte que les trous de réglage en largeur soient dirigés vers l'avant à l'horizontale. **Schéma 5.**

## Schéma 5



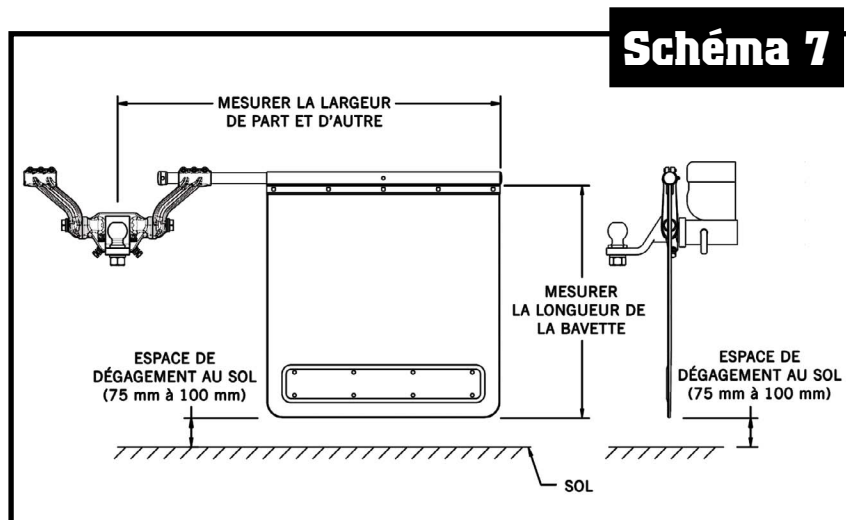
7. Faire glisser les SERRE-PATTES sur les TIGES DE MAINTIEN DES BAVETTES de sorte que les trous carrés soient dirigés à l'opposé du véhicule. Ne pas sécuriser avec les BOULONS DE RETENUE DES BAVETTES à ce stade. (Consulter le Schéma 6 pour l'orientation du trou de boulon de retenue des bavettes et les trous de positionnement des tiges de support des bavettes). (Remarque : LA BAVETTE n'est pas encore fixée). **Schéma 6**

## Schéma 6



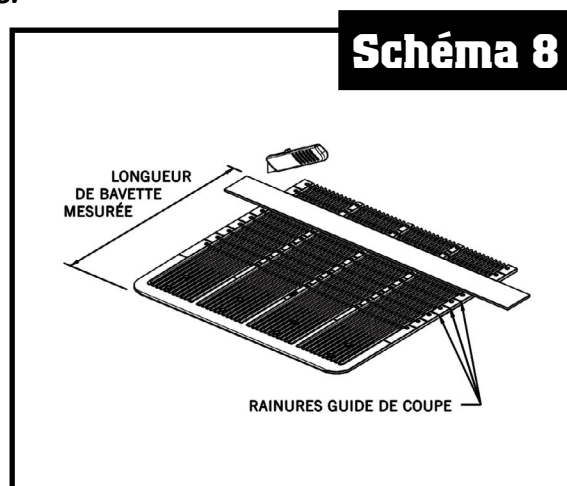
**IMPORTANT : L'étape suivante est cruciale pour s'assurer d'une installation correcte du SYSTÈME DE BAVETTES GARDE-BOUE. L'ensemble des mesures doit être effectué lorsque le véhicule de remorquage est équipé du poids total des languettes.**

8. Veiller à ce que les TIGES DE MAINTIEN soient à niveau de part et d'autre et mesurer la distance à partir de la TIGE DE MAINTIEN DES BAVETTES jusqu'au sol. Soustraire l'espace de dégagement au sol souhaité (recommandation : 75 mm à 100 mm). **Schéma 7.**



9. Poser la BAVETTE à plat sur une surface plane, en dirigeant le côté rainuré vers le haut. Mesurer la longueur souhaitée pour la BAVETTE en commençant par le bas et en remontant. Trouver la RAINTURE DE PLACEMENT prémoulée la plus proche et faire une marque. **Schéma 8.**

**IMPORTANT :**  
Avant de couper et de percer/découper à l'emporte-pièce, veiller à placer soit une chute de bois, soit du papier cartonné épais sous la BAVETTE afin d'éviter d'endommager toute surface.



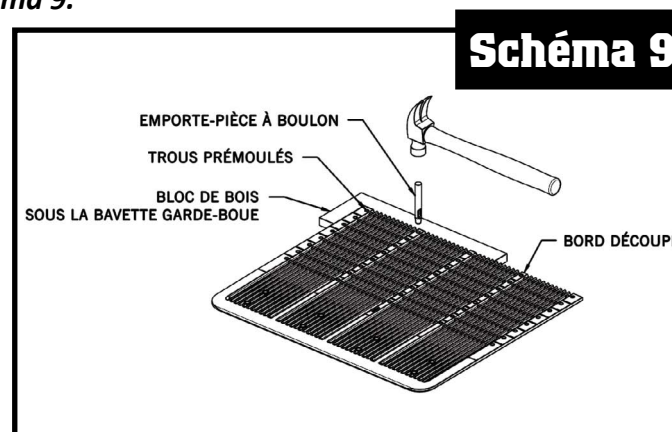
10. Servez-vous d'un couteau tout usage aiguisé pour couper la BAVETTE, en utilisant la rainure et une règle de précision comme guide. Il est possible que vous ayez à repasser plusieurs fois pour parvenir à couper intégralement la BAVETTE. **Consulter le Schéma 8.**

Répéter la procédure pour la seconde BAVETTE.

**IMPORTANT :** Placer une chute de bois sous les BAVETTES GARDE-BOUE en perçant des trous ou en découpant à l'emporte-pièce, dans la mesure où le poinçon risque de s'émousser et pourrait endommager la surface se trouvant en dessous.

11. Découper à l'emporte-pièce la rangée supérieure de trous prémoulés de la BAVETTE GARDE-BOUE en utilisant L'EMPORTE-PIÈCE À BOULON compris.

**Schéma 9.**



12. Assembler l'extrémité découpée de la BAVETTE GARDE-BOUE à l'intérieur du SERRE-PATTE, soit en la glissant ou en la poussant vers le bas sur la BAVETTE GARDE-BOUE, de sorte que les trous carrés se trouvent du côté lisse.

**Remarque :** En cas de difficulté pour faire glisser la BAVETTE GARDE-BOUE dans le SERRE-PATTE, humidifier l'extrémité découpée de la surface de la BAVETTE GARDE-BOUE avant de l'insérer.

Insérer les cinq BOULONS DE SERRE-PATTE M8 par les trous carrés. Fixer sans serrer la RONDELLE PLATE M8 et L'ÉCROU HEXAGONAL D'INSERTION EN NYLON M8 sur l'arrière, de la manière illustrée. (Ne pas serrer à ce stade). **Schéma 10.**

Répéter la procédure pour la seconde BAVETTE GARDE-BOUE.

13. Faire glisser le SERRE-PATTE comportant LA BAVETTE GARDE-BOUE sur la TIGE DE MAINTIEN DE LA BAVETTE, de sorte que les ÉCROUS HEXAGONAUX D'INSERTION EN NYLON soient dirigés vers le véhicule.

Positionner la BAVETTE GARDE-BOUE et les TIGES DE MAINTIEN DE LA BAVETTE (gauche et droite) de la manière souhaitée sur le véhicule. Aligner le petit trou du SERRE-PATTE sur l'un des trois trous de réglage de la bavette se trouvant sur la TIGE DE MAINTIEN, en fonction des dimensions du véhicule.

- Trou intérieur – adapté aux petits véhicules et aux modèles intermédiaires
- Trou central – adapté aux véhicules pleine grandeur
- Trou extérieur – adapté aux gros véhicules tels que poids lourds et petites autocaravanes

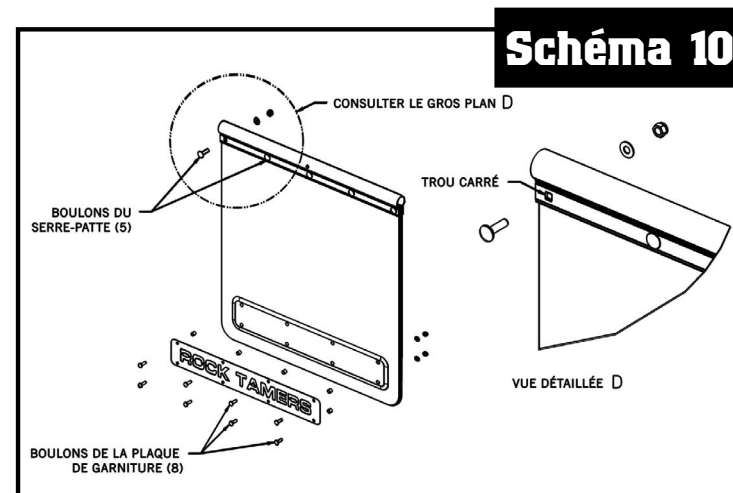
Pour finir, insérer le petit BOULON DE RETENUE DE LA BAVETTE M5 par le SERRE-PATTE et la TIGE DE MAINTIEN, et fixer l'ÉCROU HEXAGONAL D'INSERTION EN NYLON M5. **Schémas 1 et 8**

Répéter la procédure pour la seconde BAVETTE GARDE-BOUE.

14. Assembler les PLAQUES DE GARNITURE. Insérer les ENTRETOISES DE PLAQUE DE GARNITURE M6 dans les trous de la partie inférieure surélevée de la BAVETTE GARDE-BOUE. Fixer la PLAQUE DE GARNITURE ROCK du système ROCK TAMERS comportant les huit BOULONS DE PLAQUE DE GARNITURE M6 (Verrouillage STAR PIN™ [clé STAR PIN™ comprise]), LES RONDELLES PLATES M6 et LES ÉCROUS HEXAGONAUX D'INSERTION EN NYLON M6, de la manière illustrée sur le Schéma 10. (Couple de 20 po-lbs [douille ou clé de 10 mm]).

Répéter la procédure pour la seconde BAVETTE GARDE-BOUE.

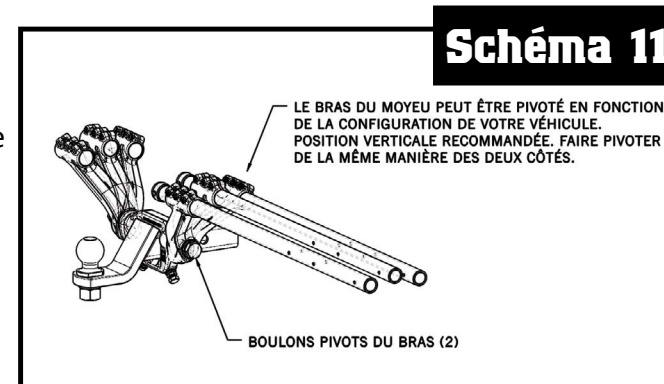
**Remarque : Ne pas trop serrer dans la mesure où ceci endommagerait la PLAQUE DE GARNITURE.**



15. Les BRAS de l'ASSEMBLAGE DU MOYEU peuvent être desserrés et pivotés en fonction de la configuration de votre véhicule.

Les TIGES DE MAINTIEN DES BAVETTES peuvent également être légèrement pivotées de sorte que les BAVETTES GARDE-BOUE soient verticales.

**Schéma 11.**

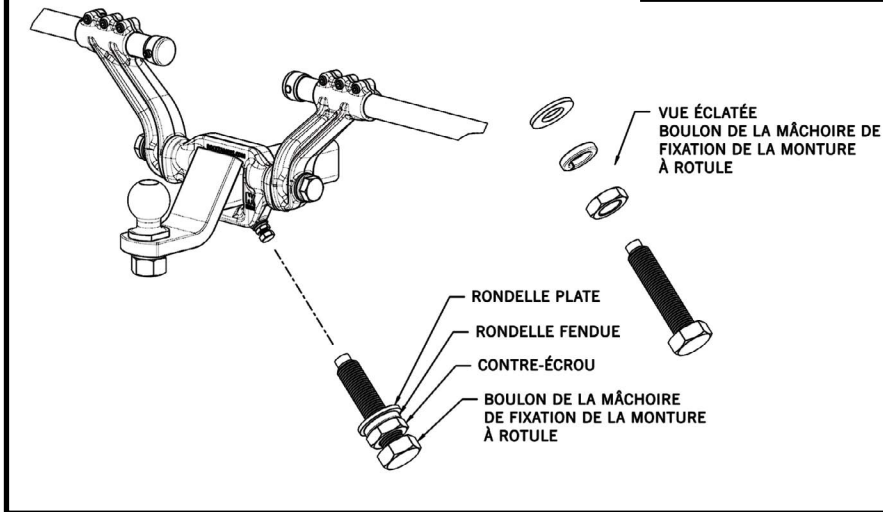


16. Finaliser l'ensemble des positionnements et réglages. Pour l'ensemble des conversions, se référer au tableau des conversions de couple de la page 1.
17. Veiller à ce que les RONDELLES FENDUES M10 et LES CONTRE-ÉCROUS M10 restent desserrés sur les BOULONS DE LA MÂCHOIRE DE FIXATION DE LA MONTURE À ROTULE M10 et terminer de serrer uniformément les BOULONS DE LA MÂCHOIRE DE FIXATION M10 SUR LA MONTURE À ROTULE. (couple de 120-180 po-lb [douille ou clé de 17 mm]).

Lorsque les BOULONS DE LA MÂCHOIRE DE FIXATION DE LA MONTURE À ROTULE M10 sont serrés, serrer solidement les RONDELLES et les CONTRE-ÉCROUS M10.

**Schéma 12.**

## Schéma 12



18. Serrer les grands BOULONS PIVOTS DU BRAS M18 du MOYEU CENTRAL (couple de 1500 po-lb [douille ou clé de 27mm]).  
**Schéma 1.**

**Remarque :** Veiller à ce que les BOULONS PIVOTS DU BRAS et les TIGES DE MAINTIEN aient suffisamment d'espace de dégagement par rapport au pare-chocs de sorte qu'ils ne viennent pas frotter contre.

19. Terminer le réglage en largeur des TIGES DE MAINTIEN DES BAVETTES en les faisant glisser vers l'intérieur ou l'extérieur des BRAS DU MOYEU. **Schéma 5.**

**Remarques :** Il est recommandé que la position finale de la BAVETTE s'étende sur un minimum de 5,08 cm à partir du bord extérieur du pneu.

**IMPORTANT :** Serrer de manière homogène les trois BOULONS DE LA MÂCHOIRE DE FIXATION DES BRAS M6 en commençant par le boulon central et en progressant de l'un à l'autre de chaque côté jusqu'à ce qu'ils soient tous serrés.  
La FENTE NE se fermera PAS. (couple de 70-80 po-lb [CLÉ HEXAGONALE de 5 mm]).

20. Serrer les cinq BOULONS DU SERRE-PATTE M8 sur chaque SERRE-PATTE. **Schéma 10.** (couple de 30 po-lb [douille ou clé de 13 mm]).

**IMPORTANT :** LES TIGES DE MAINTIEN NE DOIVENT PAS ÊTRE EN MESURE DE PIVOTER ni de SE DÉPORTER À L'INTÉRIEUR DES BRAS DU MOYEU ou des SERRE-PATTES.

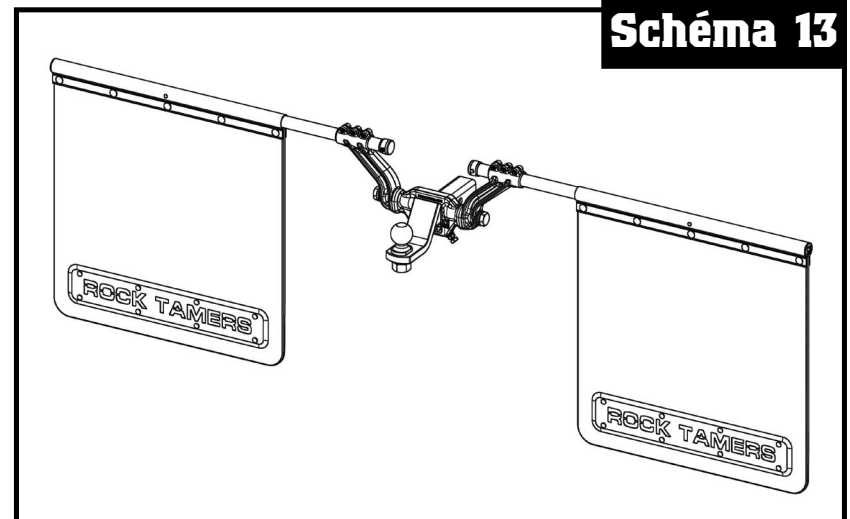
21. Serrer les BOULONS DE RETENUE DES BAVETTES M5 de part et d'autre. **Schéma 6**

**IMPORTANT :** LES BOULONS DE RETENUE DES BAVETTES ne sont pas conçus pour maintenir le SERRE-PATTE sur la TIGE DE MAINTIEN DE LA BAVETTE. Les BOULONS DE RETENUE doivent être utilisés en vue d'un positionnement adéquat et sécurisé.

22. Terminer l'assemblage en insérant les EMBOUTS DE BAVETTE dans les SERRE-PATTES.  
**Schéma 1.**

23. Le système de bavettes garde-boue ROCK TAMERS est prêt à utiliser. La dernière procédure de sécurité consiste à veiller à ce que les boulons soient serrés et assemblés correctement. Pour une durée de vie et un rendement optimaux, vérifier les composants et le couple de l'ensemble des boulons avant chaque utilisation. **Schéma 13.**

## Schéma 13





- > **MOYEU ET BRAS EN ALUMINIUM FORGÉ**
- > **TIGES CHEMISÉES EN ACIER INOXYDABLE**
- > **FINITION NOIRE MATE AVEC PROTECTION UV**
- > **PIÈCES PLAQUÉES INOX, ZINC ET CHROME**



## **GARANTIE LIMITÉE**

Rock Tamers LLC garantit que ce produit est exempt de vice de matériaux et de main-d'œuvre dans des conditions normales d'utilisation et d'entretien pendant une période d'un (1) an à partir de la date d'achat par l'acheteur d'origine. Rock Tamers LLC restreint sa responsabilité à la réparation ou au remplacement de toute pièce ayant été déterminée défectueuse du fait d'un souci de matériaux ou de main-d'œuvre. Une Autorisation de retour de biens valide (ou un numéro s'y rapportant) doit faire l'objet d'une demande auprès de Rock Tamers LLC. Sans ce numéro d'autorisation, aucun retour ne sera accepté et aucun crédit ne pourra être émis. Toute expédition en port dû sera refusée. Rock Tamers LLC prend à sa charge les frais de transport terrestres d'acheminement de retour uniquement lorsque le produit est couvert par la présente garantie.

Tous les retours doivent être expédiés EN FRAIS DE TRANSPORT PRÉPAYÉS à l'adresse ci-dessous, et doivent comporter un numéro d'autorisation de retour valide clairement indiqué sur l'extérieur du colis :

Rock Tamers LLC 19475 Beacon Lite Road Monument, CO 80132 É.-U.  
À l'attention de : Returns (Retours)

La présente garantie ne peut s'appliquer à un quelconque produit ou une quelconque pièce dont l'installation ou l'utilisation n'est pas conforme aux consignes imprimées stipulées par Rock Tamers LLC, ainsi qu'à l'ensemble de la réglementation d'état et locale et toute directive nationale ou réglementation en vigueur dans le cas où celles-ci seraient applicables. La présente garantie ne peut s'appliquer à un quelconque produit endommagé suite à un accident, une mauvaise utilisation, un emploi abusif, ni ne peut prendre en compte un quelconque produit ou une quelconque partie ayant fait l'objet de modifications, d'altérations ou d'une réparation de la part du consommateur. À l'exception des éléments mentionnés ci-dessus et de la limitation de responsabilité ci-dessous, Rock Tamers LLC ne prend en compte aucune autre garantie expresse ou implicite, notamment toute garantie implicite de qualité marchande ou d'aptitude à un usage particulier, par rapport à ses produits et pièces, qu'ils soient ou non utilisés seuls ou en conjugaison avec d'autres. Rock Tamers LLC décline toute garantie non mentionnée ici-même.

### **LIMITE DE RESPONSABILITÉ**

La responsabilité totale de Rock Tamer LLC vis-à-vis d'une quelconque ou de l'ensemble des pertes et dommages résultant de toute cause, ne peut en aucun cas dépasser le prix d'achat des produits ou pièces liés à ce type de cause, et ce, que cette cause soit basée sur des théories contractuelles, la négligence, la responsabilité stricte, tout acte dommageable ou autre. Rock Tamers LLC ne saurait être tenu responsable des dommages accidentels, indirects ou punitifs, ni de toute autre perte. Rock Tamers LLC ne saurait être tenu responsable de, tandis que le consommateur accepte la responsabilité de, toute blessure corporelle et dommage à la propriété en relation avec la manipulation, le transport, la possession, l'installation, une utilisation autre ou revente du produit, qu'il soit utilisé seul ou en conjugaison avec tout autre produit ou matériel. Si Rock Tamers LLC prodigue des conseils techniques au client, que ceci soit le fait ou non d'une demande de la part de ce dernier, concernant l'installation, l'application ou l'utilisation du produit et/ou des pièces qui s'y rapportent, Rock Tamers LLC ne saurait être tenu responsable de ces conseils techniques tandis que l'acheteur accepte la responsabilité de l'ensemble des risques et résultats liés à ces conseils.

REMARQUE : Certains états n'autorisent pas les exclusions ou limitations des dommages accessoires ou indirects. En conséquence, les limitations ou exclusions, intégrales ou partielles, mentionnées ci-dessus, peuvent ne pas s'appliquer à tous les cas. Les parties de cette garantie limitée ainsi que la limitation de responsabilité sont considérées comme dissociables et l'ensemble des parties ne pouvant être rejetées par la loi applicable demeureront pleinement en vigueur.

### **AVIS À L'ATTENTION DES CONSOMMATEURS**

Tous les produits Rock Tamers LLC sont des systèmes mécaniques qui présenteront au bout du compte des signes d'usure, de dommage, de corrosion et de vieillissement des composants à base de matériaux tels que le caoutchouc, etc. L'environnement et les conditions climatiques d'utilisation déterminent la sûreté de la durée de vie utile de ces produits. Une inspection et un entretien réguliers sont essentiels pour conserver une efficacité maximale aux propriétés protectrices du produit.

Dans la mesure où Rock Tamers LLC s'attache à une politique d'amélioration continue de ses produits, la société se réserve le droit de modifier les conceptions, matériaux et spécifications sans avis préalable.



Rock Tamers LLC  
19475 Beacon Lite Road, Monument, CO 80132  
É.-U : 1-800-545-1894

Pour consulter les accessoires liés, rendez-vous sur :

**[www.rocktamers.com](http://www.rocktamers.com)**

*Suivez-nous sur :*



**ATTENTION :** Cet article et son emballage contiennent des produits chimiques qui sont reconnus par l'État de Californie comme cancérigènes et à l'origine d'anomalies congénitales.